



US00D896848S

(12) **United States Design Patent** (10) **Patent No.:** **US D896,848 S**  
**Moore et al.** (45) **Date of Patent:** **\*\* Sep. 22, 2020**

(54) **OPERATOR PAD FOR STAND-ON MACHINE**

(71) Applicant: **Exmark Manufacturing Company, Incorporated, Beatrice, NE (US)**

(72) Inventors: **Nickolas T. Moore, Beatrice, NE (US); Christian Stanton Carver Bryant, Lincoln, NE (US)**

(73) Assignee: **Exmark Manufacturing Company, Incorporated, Beatrice, NE (US)**

(\*\*) Term: **15 Years**

(21) Appl. No.: **29/689,814**

(22) Filed: **May 2, 2019**

(51) **LOC (12) Cl.** ..... **15-03**

(52) **U.S. Cl.**  
USPC ..... **D15/17**

(58) **Field of Classification Search**  
USPC ..... D15/10, 11, 14, 15, 17, 28  
CPC ..... A01D 34/82; B62D 51/02; B62B 3/0612;  
B62B 5/087

See application file for complete search history.

(56) **References Cited**

**U.S. PATENT DOCUMENTS**

D359,740 S	6/1995	Crosby et al.	
5,533,676 A *	7/1996	Conley	A01D 43/14
			239/168
D380,219 S *	6/1997	Kinnard	D15/140
D380,761 S	7/1997	Saylor	
5,778,648 A *	7/1998	Parkes	A01D 43/077
			56/13.3
5,816,033 A	10/1998	Busboom et al.	
D409,208 S	5/1999	Eavenson et al.	
D410,931 S	6/1999	Allen	
6,948,739 B2	9/2005	Gallagher et al.	
D588,613 S *	3/2009	Schroeder	D15/17
D624,562 S	9/2010	Neeley et al.	
7,793,979 B2	9/2010	Kraimer et al.	

D626,572 S	11/2010	Moriguchi et al.	
D655,316 S	3/2012	Moriguchi et al.	
8,262,104 B2	9/2012	Kallevig et al.	
D670,746 S	11/2012	Ewringmann	
D674,816 S	1/2013	Higashikawa et al.	
D681,685 S	5/2013	Higashikawa	
D715,329 S	10/2014	Higashikawa et al.	
D720,515 S *	12/2014	Warner	D34/35

(Continued)

**FOREIGN PATENT DOCUMENTS**

WO 2017214467 12/2017

**OTHER PUBLICATIONS**

“Scag V-Ride Operator’s Manual,” Selected pages SCAG Power Equipment 2015 (12 pages).

(Continued)

*Primary Examiner* — Mark A Goodwin

(74) *Attorney, Agent, or Firm* — Pauly, DeVries Smith & Deffner LLC

(57) **CLAIM**

The ornamental design for an operator pad for a stand-on machine, as shown and described.

**DESCRIPTION**

FIG. 1 is a front perspective view of an operator pad for stand-on machine showing our new design.

FIG. 2 is a front view thereof.

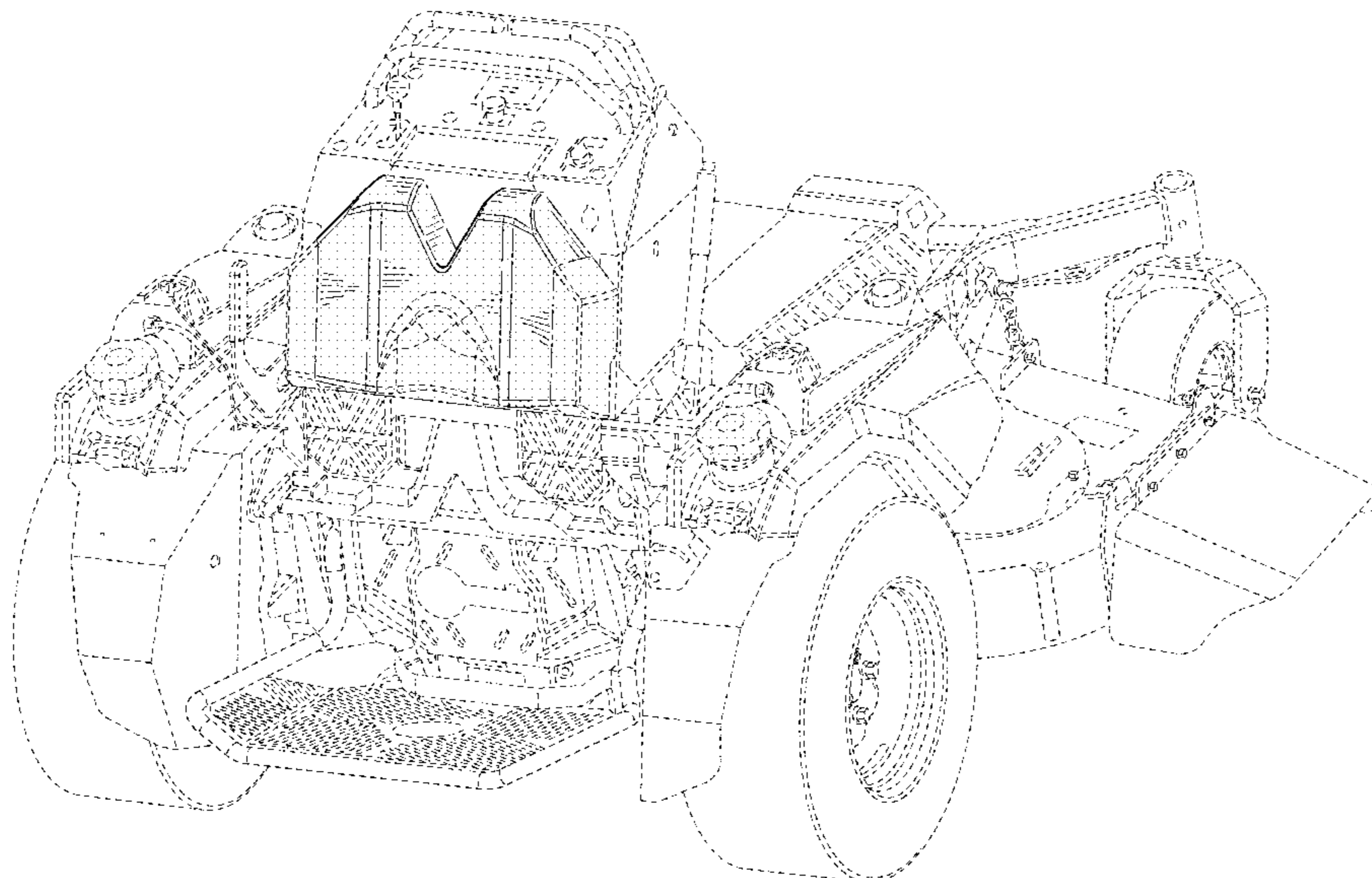
FIG. 3 is a right side view thereof, the left side view being a mirror image thereof.

FIG. 4 is a top view thereof; and,

FIG. 5 is a bottom view thereof.

The broken lines in the drawings illustrate the environment and do not form a part of the claimed design. The back portion of the operator pad is not visible during normal use and forms no part of the claimed design.

**1 Claim, 3 Drawing Sheets**



(56)

**References Cited**

U.S. PATENT DOCUMENTS

8,905,183 B2 \* 12/2014 Warner ..... B60N 2/24  
180/315  
D722,619 S 2/2015 Phillips et al.  
D722,620 S 2/2015 Phillips et al.  
D742,931 S 11/2015 Burns, Jr. et al.  
D751,611 S 3/2016 Smith et al.  
D772,309 S 11/2016 Underhill et al.  
D778,961 S \* 2/2017 Foster ..... D15/17  
D784,426 S 4/2017 Okuyama et al.  
D789,423 S 6/2017 Shi  
D806,761 S 1/2018 Jackson et al.  
D806,762 S 1/2018 Loew et al.  
D835,685 S 12/2018 Niclot  
D866,609 S 11/2019 Long  
D866,610 S 11/2019 Long  
D866,611 S 11/2019 Long  
D866,612 S 11/2019 Long  
2005/0016782 A1 \* 1/2005 Gallagher ..... B62D 51/02  
180/89.12  
2010/0289233 A1 \* 11/2010 Kallevig ..... A01D 34/82  
280/32.5

OTHER PUBLICATIONS

“Ex Parte Quayle Action,” for U.S. Appl. No. 29/689,813 (our file 428.0009US01) dated Aug. 7, 2020 (7 pages).

\* cited by examiner

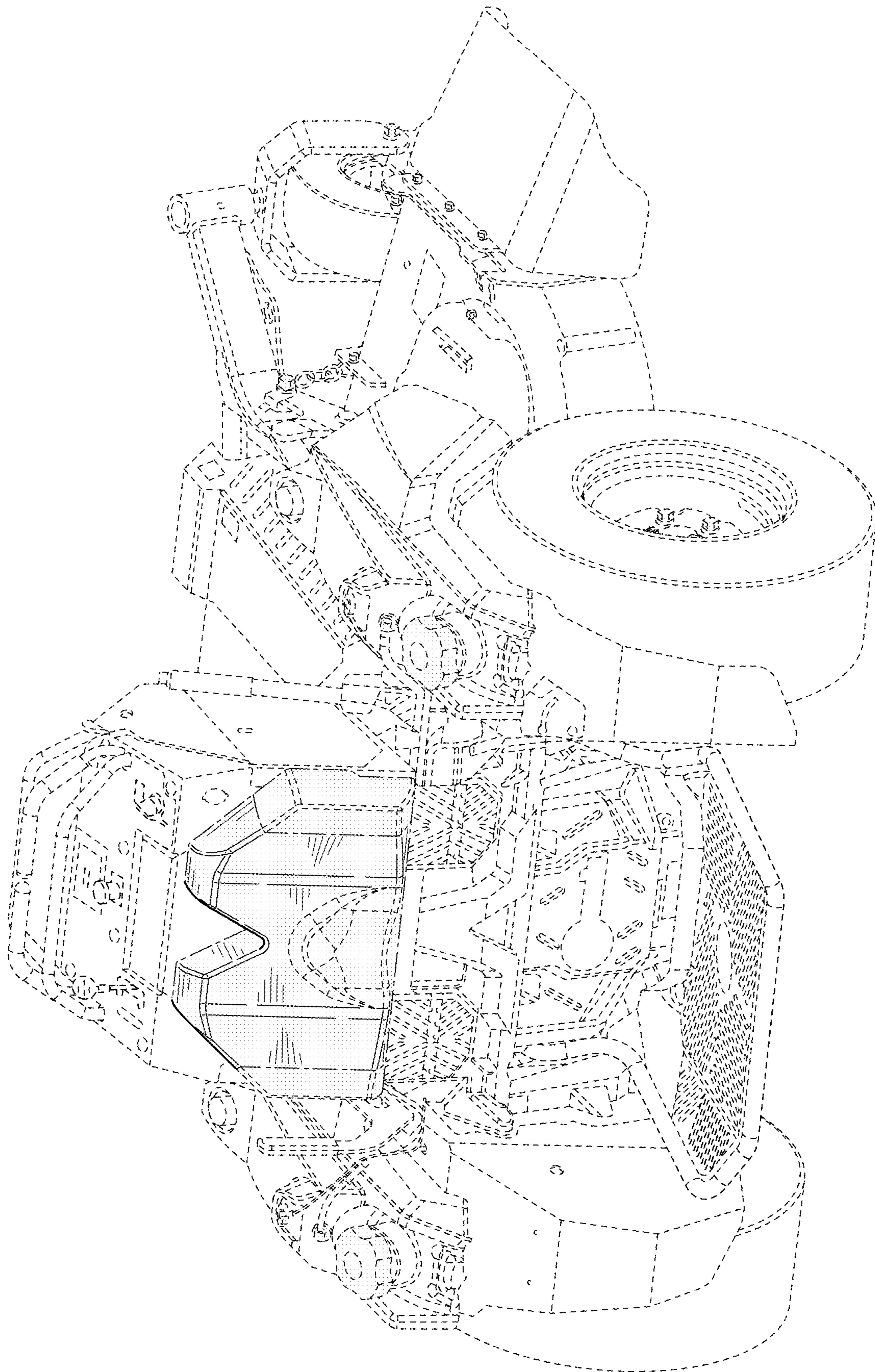


FIG. 1

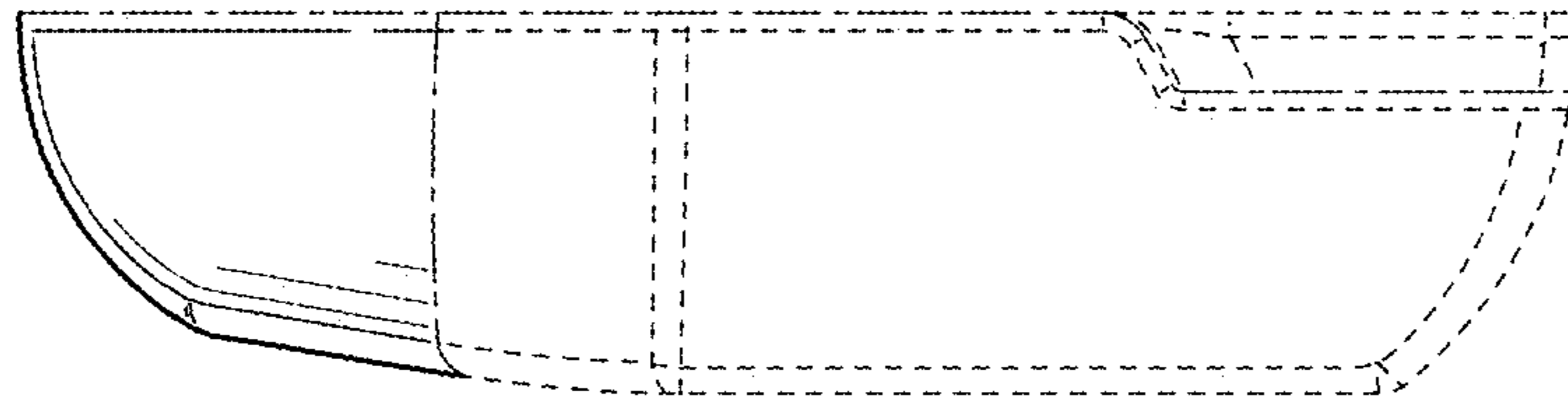


FIG. 3

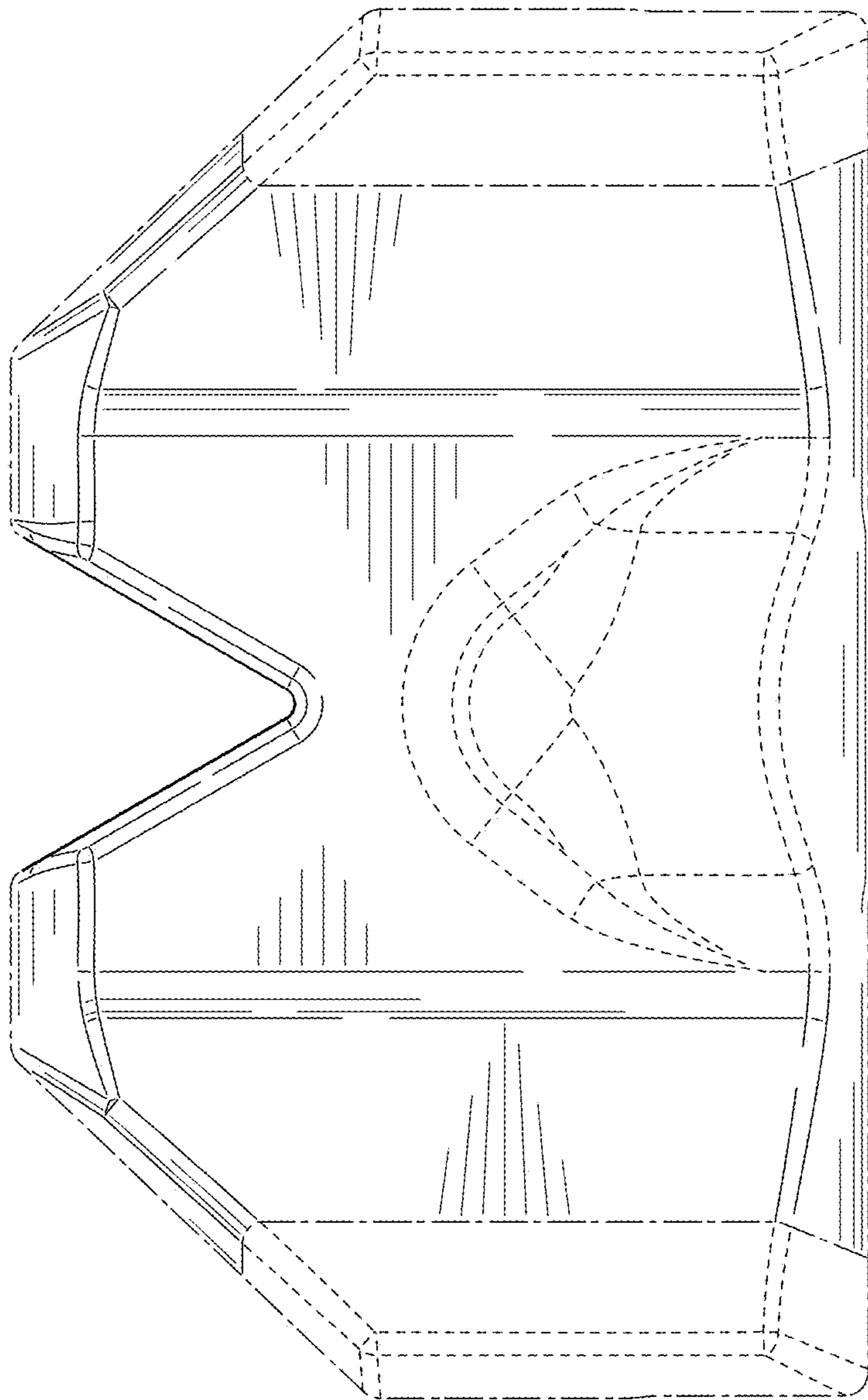


FIG. 2

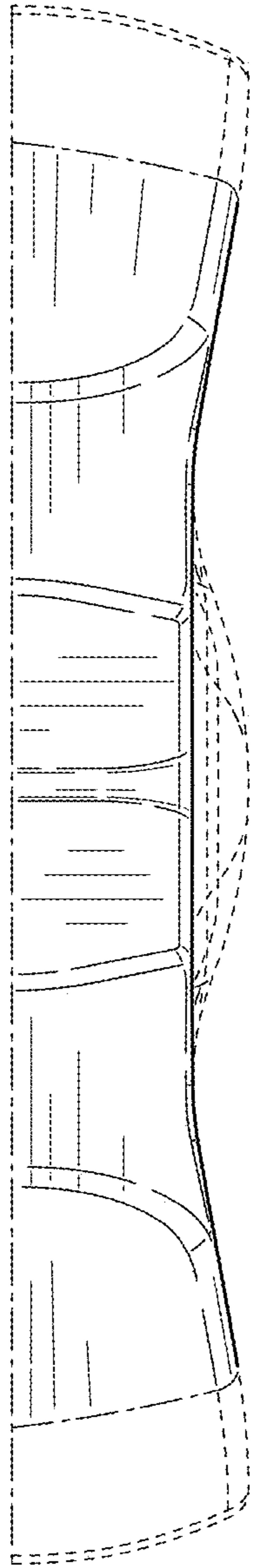


FIG. 4

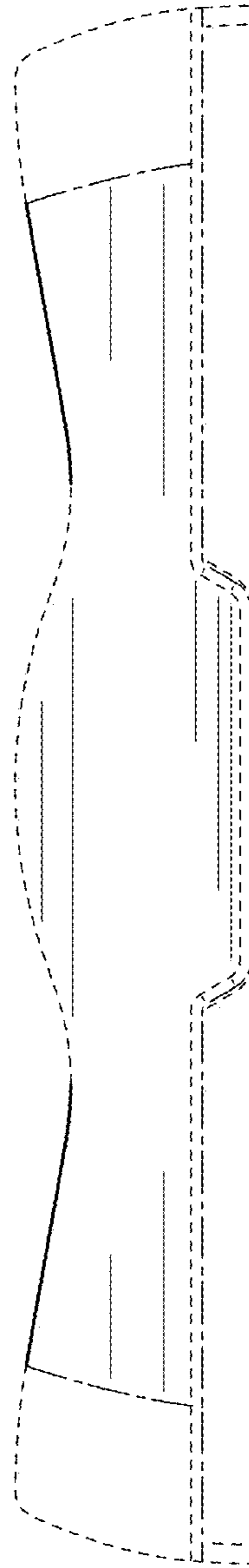


FIG. 5