



US00D896846S

(12) **United States Design Patent**
Kjaerulff

(10) **Patent No.:** **US D896,846 S**

(45) **Date of Patent:** **** Sep. 22, 2020**

(54) **TWIN SCREW PUMP**

(71) Applicant: **Alfa Laval Corporate AB**, Lund (SE)

(72) Inventor: **Lars Kjaerulff**, Hadsund (DK)

(73) Assignee: **ALFA LAVAL CORPORATE AB**,
Lund (SE)

(**) Term: **15 Years**

(21) Appl. No.: **29/673,152**

(22) Filed: **Dec. 12, 2018**

(30) **Foreign Application Priority Data**

Jun. 12, 2018 (EM) 005307840-0002

(51) **LOC (12) Cl.** **15-02**

(52) **U.S. Cl.**
USPC **D15/7**

(58) **Field of Classification Search**
USPC D15/7-9; D23/232, 235, 231
CPC F02M 37/04; F02M 37/14
See application file for complete search history.

(56) **References Cited**

U.S. PATENT DOCUMENTS

D657,799 S * 4/2012 Jung D15/7
D695,318 S * 12/2013 Link D15/9
D726,771 S * 4/2015 Pansegrouw D15/7
D745,058 S * 12/2015 Iversen D15/7
D749,138 S * 2/2016 Martinez Sanudo D15/7

D763,322 S * 8/2016 Haugaard D15/7
D818,005 S * 5/2018 Meda D15/7
2013/0251581 A1* 9/2013 Christov F01C 17/02
418/191

FOREIGN PATENT DOCUMENTS

EM 004101798-0001 1/2020
EM 004101798-0002 1/2020
EM 004101798-0003 1/2020
EM 004101798-0004 1/2020

* cited by examiner

Primary Examiner — Mitchell I. Siegel

(74) *Attorney, Agent, or Firm* — Buchanan Ingersoll & Rooney PC

(57) **CLAIM**

The ornamental design for a twin screw pump, as shown and described.

DESCRIPTION

FIG. 1 is a front, right perspective view of a twin screw pump showing my new design.

FIG. 2 is a front elevational view thereof.

FIG. 3 is a rear elevational view thereof.

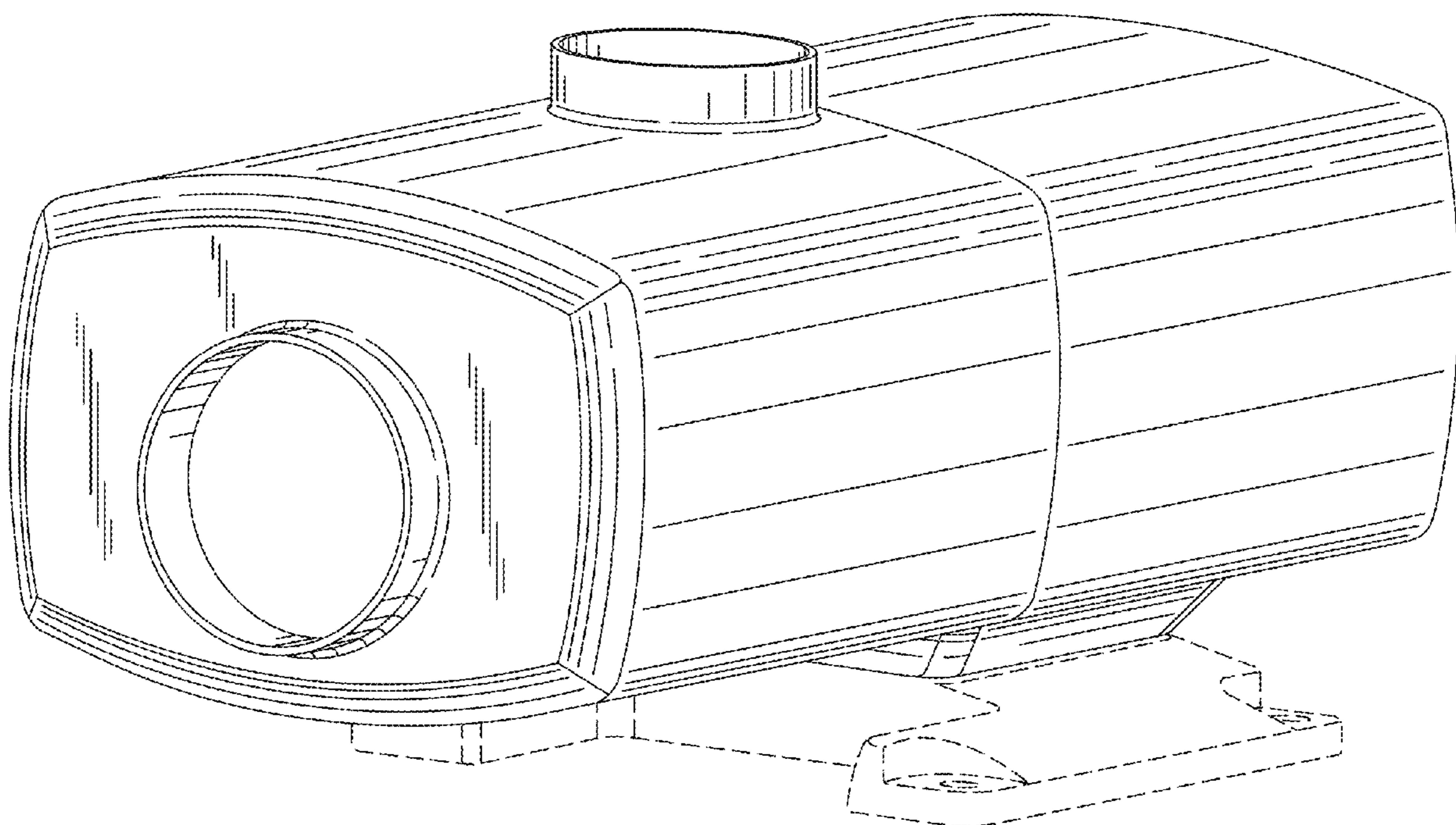
FIG. 4 is a left side elevational view thereof.

FIG. 5 is a right side elevational view thereof; and,

FIG. 6 is a top plan view thereof.

The broken lines shown are included for the purpose of illustrating unclaimed subject matter and form no part of the claimed design.

1 Claim, 6 Drawing Sheets



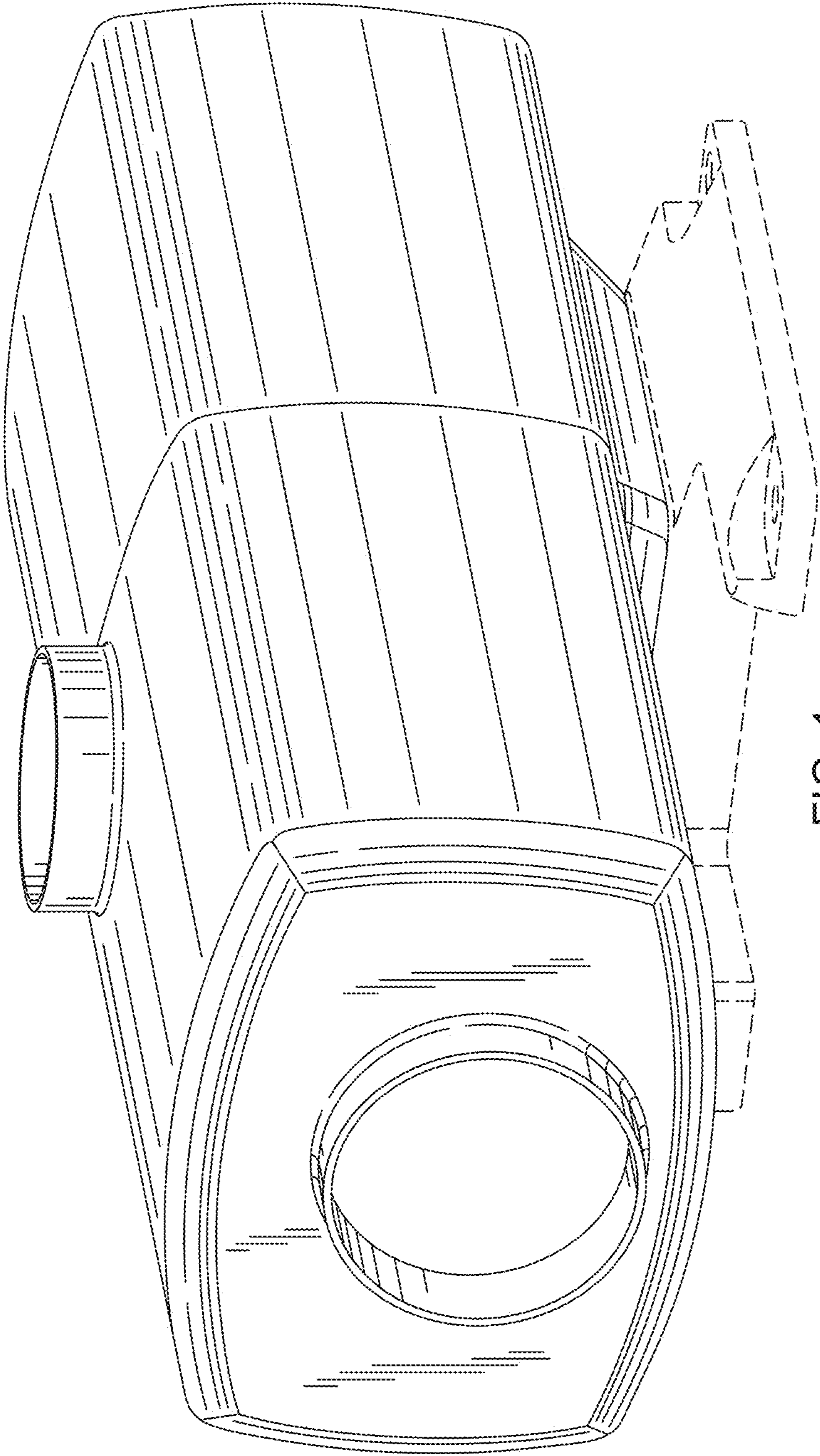


FIG. 1

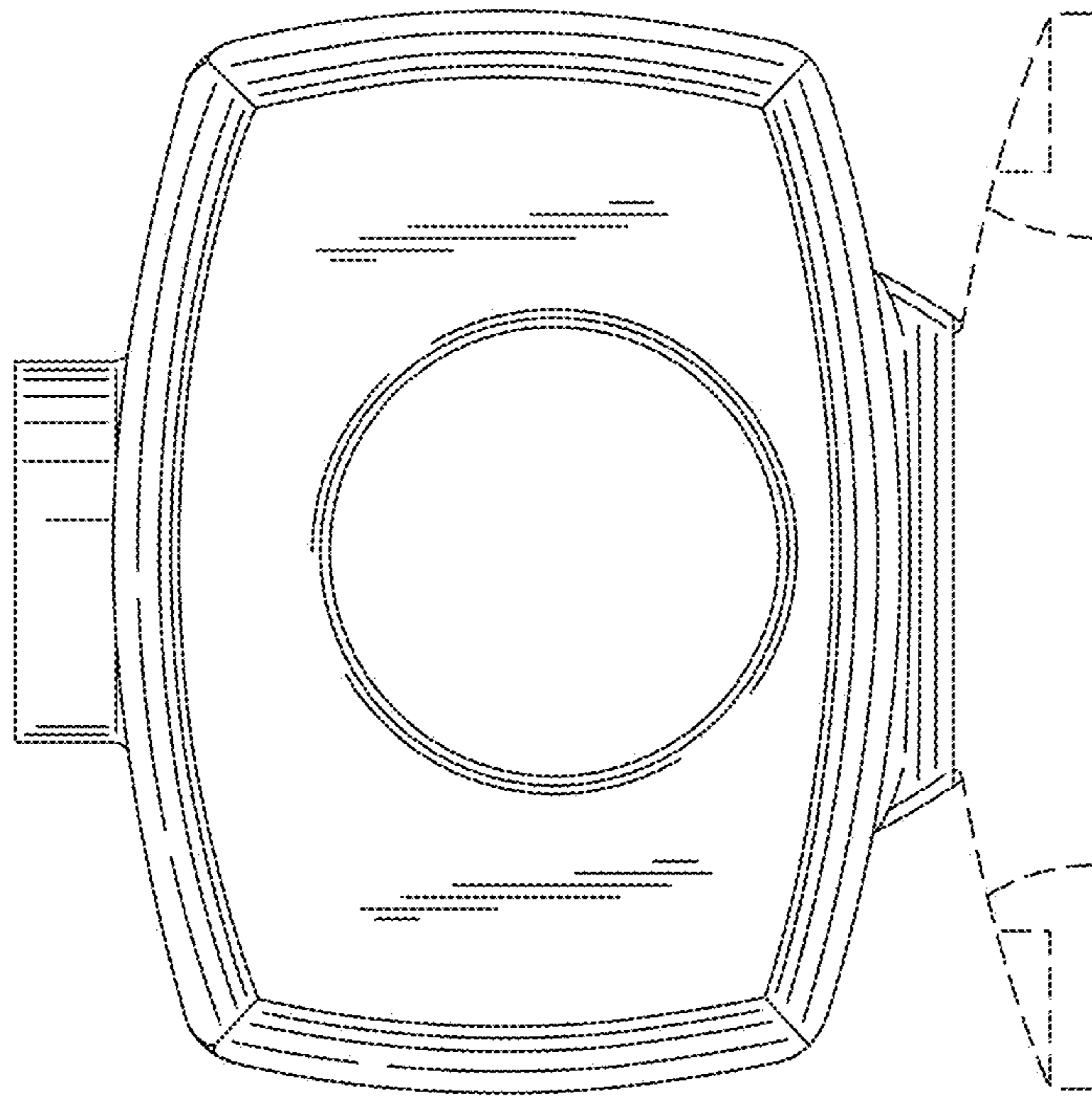


FIG. 2

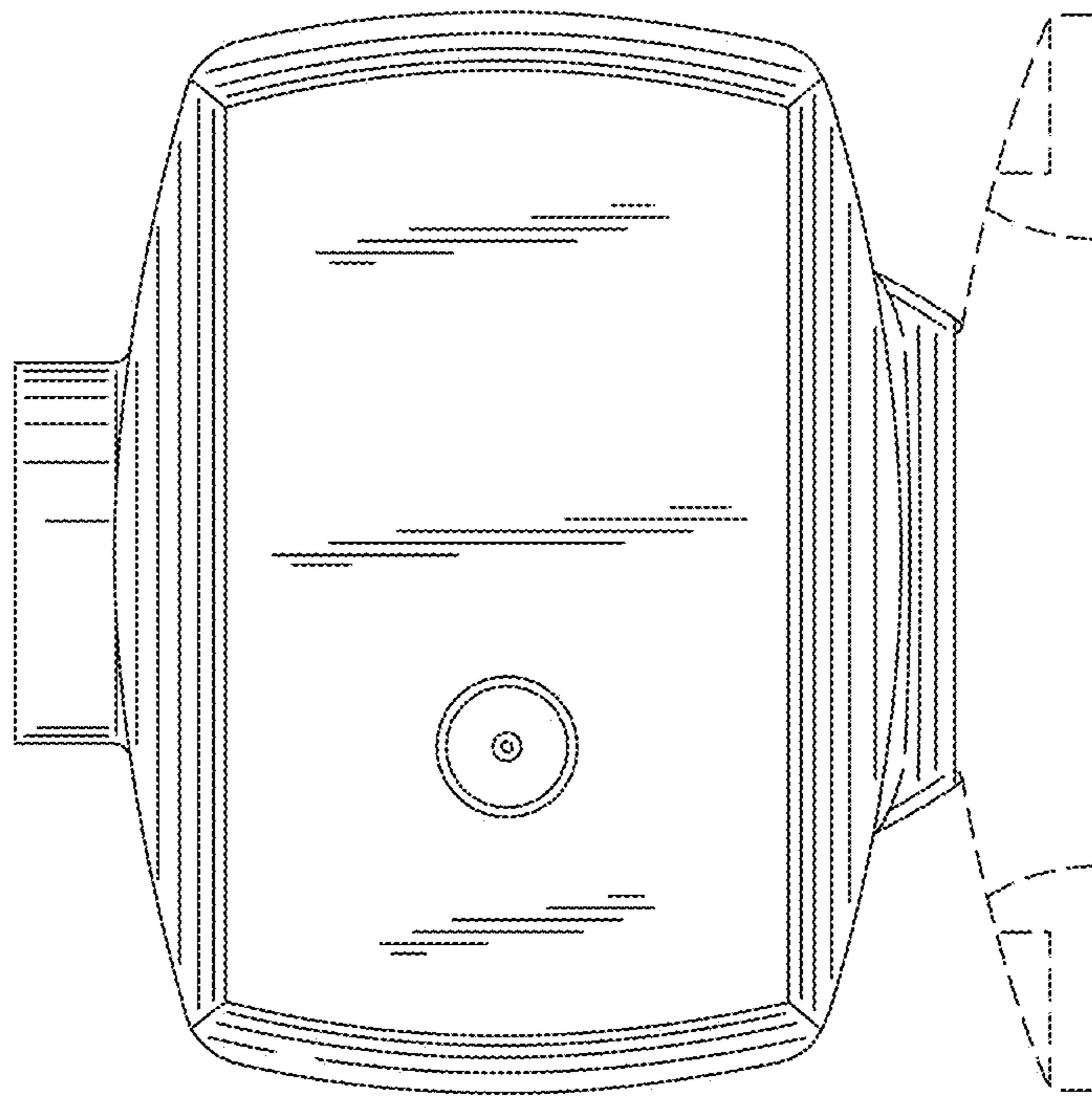


FIG. 3

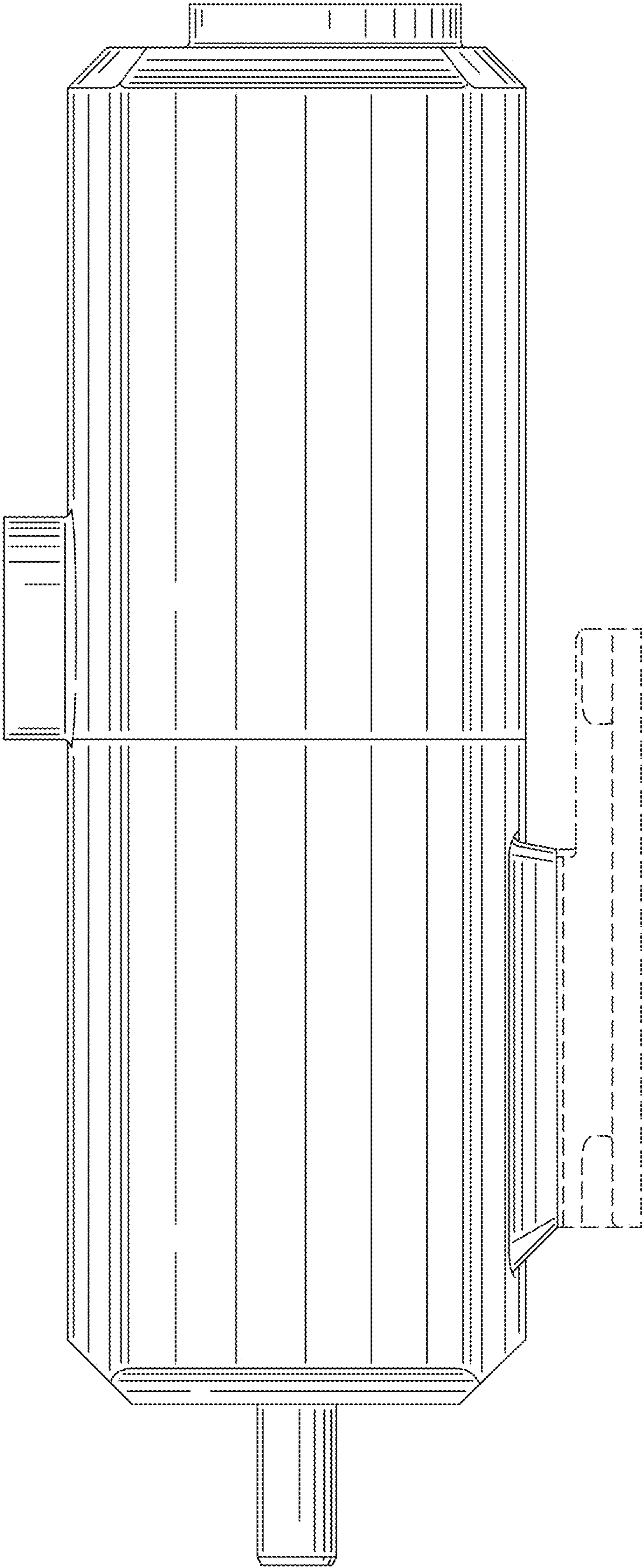


FIG. 4

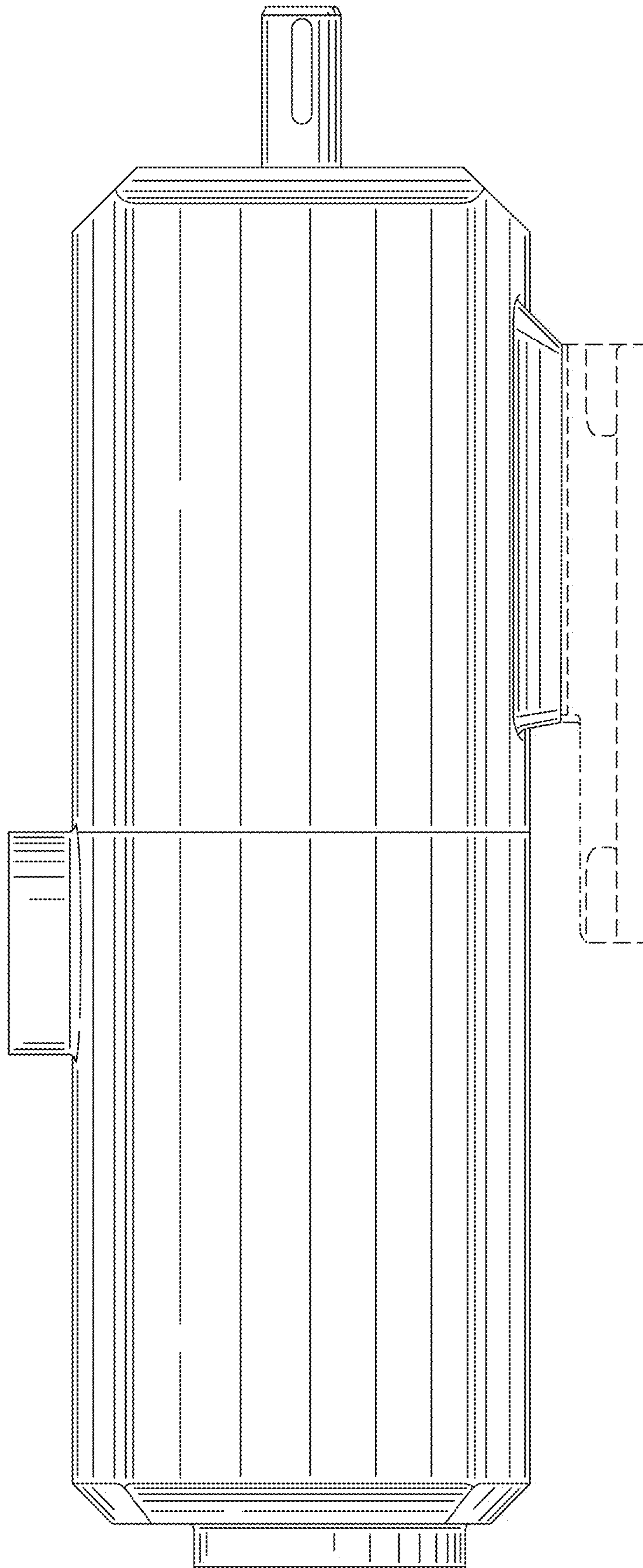


FIG. 5

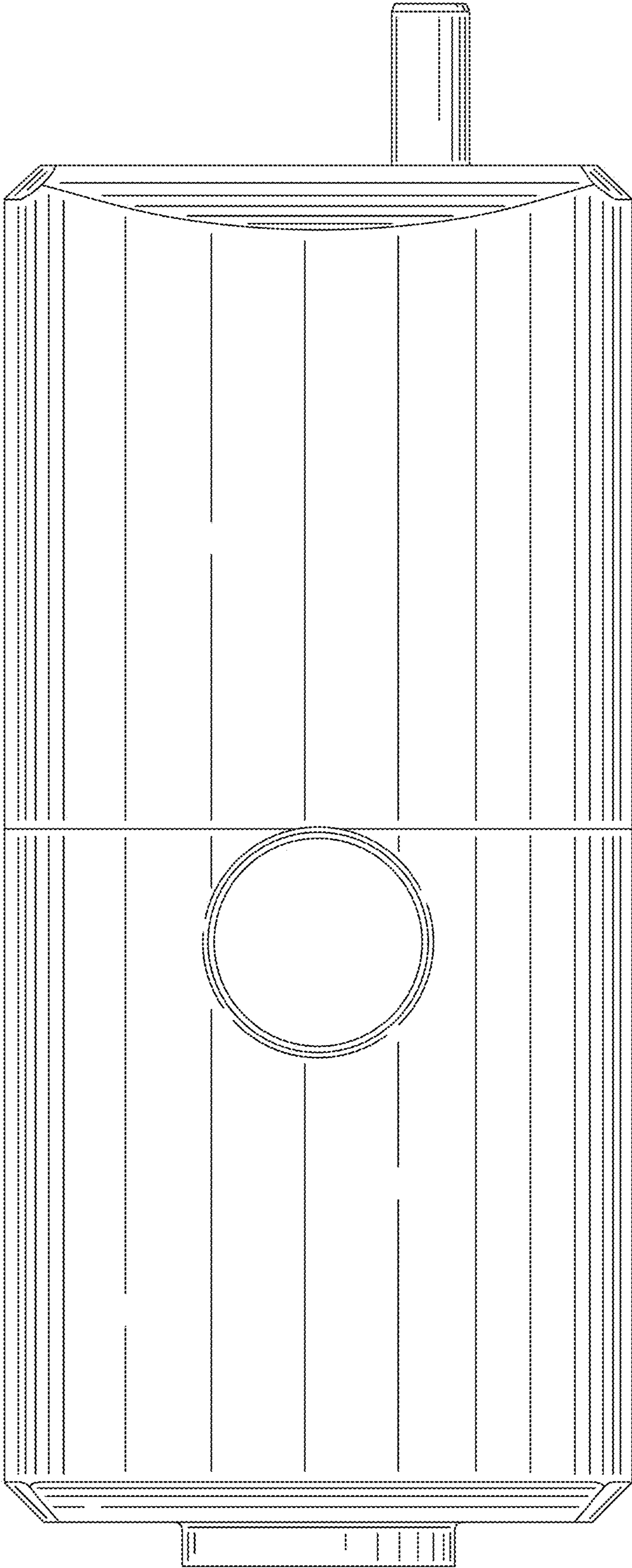


FIG. 6