



US00D896844S

(12) **United States Design Patent** (10) **Patent No.:** **US D896,844 S**
Wickes (45) **Date of Patent:** **** *Sep. 22, 2020**

(54) **AIR INTAKE SNORKEL FOR A VEHICLE**
(71) Applicant: **SAFARI R&D PTY LTD**, Croydon South, Victoria (AU)
(72) Inventor: **Dean Wickes**, Croydon South (AU)
(73) Assignee: **SAFARI R&D PTY LTD**, Croydon South, Victoria (AU)
(*) Notice: This patent is subject to a terminal disclaimer.

(**) Term: **15 Years**

(21) Appl. No.: **29/693,606**

(22) Filed: **Jun. 4, 2019**

(30) **Foreign Application Priority Data**

May 20, 2019 (AU) 201912745

(51) **LOC (12) Cl.** **15-01**

(52) **U.S. Cl.**
USPC **D15/5**

(58) **Field of Classification Search**
USPC D12/194, 400; D15/1, 3, 5; D23/263, D23/266
CPC B60K 13/02; F02M 35/10
See application file for complete search history.

(56) **References Cited**

U.S. PATENT DOCUMENTS

D545,743 S * 7/2007 Pacini D12/194
D636,408 S * 4/2011 Luxon D15/5
D636,787 S * 4/2011 Luxon D15/5
D636,788 S * 4/2011 Luxon D15/5
D637,623 S * 5/2011 Luxon D15/5
D638,446 S * 5/2011 Luxon D15/5
D641,377 S * 7/2011 Luxon D15/5
D648,745 S * 11/2011 Luxon D15/5

D649,162 S * 11/2011 Luxon D15/5
D670,743 S * 11/2012 Ewringmann D15/5
D680,554 S * 4/2013 Harriton D15/5
D687,072 S * 7/2013 Bennett D15/5
D693,370 S * 11/2013 Randhawa D15/5
D719,190 S * 12/2014 Berry D15/5
D752,109 S * 3/2016 Harriton D15/5
D762,736 S * 8/2016 Niakan D15/5
D774,101 S * 12/2016 Delgado D15/5
D838,745 S * 1/2019 Harriton D15/5
D856,373 S * 8/2019 Tallman D15/5
10,393,076 B1 * 8/2019 Freeman F02M 35/10144
2009/0084344 A1 * 4/2009 Fasan B60K 13/02
123/198 E

(Continued)

OTHER PUBLICATIONS

DHgate.com "CityCarAuto Air Intake Snorkel Kit Airflow Snorkel Car Accessories for for Mitsubishi Triton L200 2015-2017" (online) listed by Miniputao. Retrieved from Internet on Dec. 17, 2019, URL:https://www.dhgate.com/product/citycarauto-air-intake-snorkel-kit-airflow/481273304.html (20 pages).*

(Continued)

Primary Examiner — Wendy L Arminio
(74) *Attorney, Agent, or Firm* — Allen, Dyer, Doppelt + Gilchrist, PA

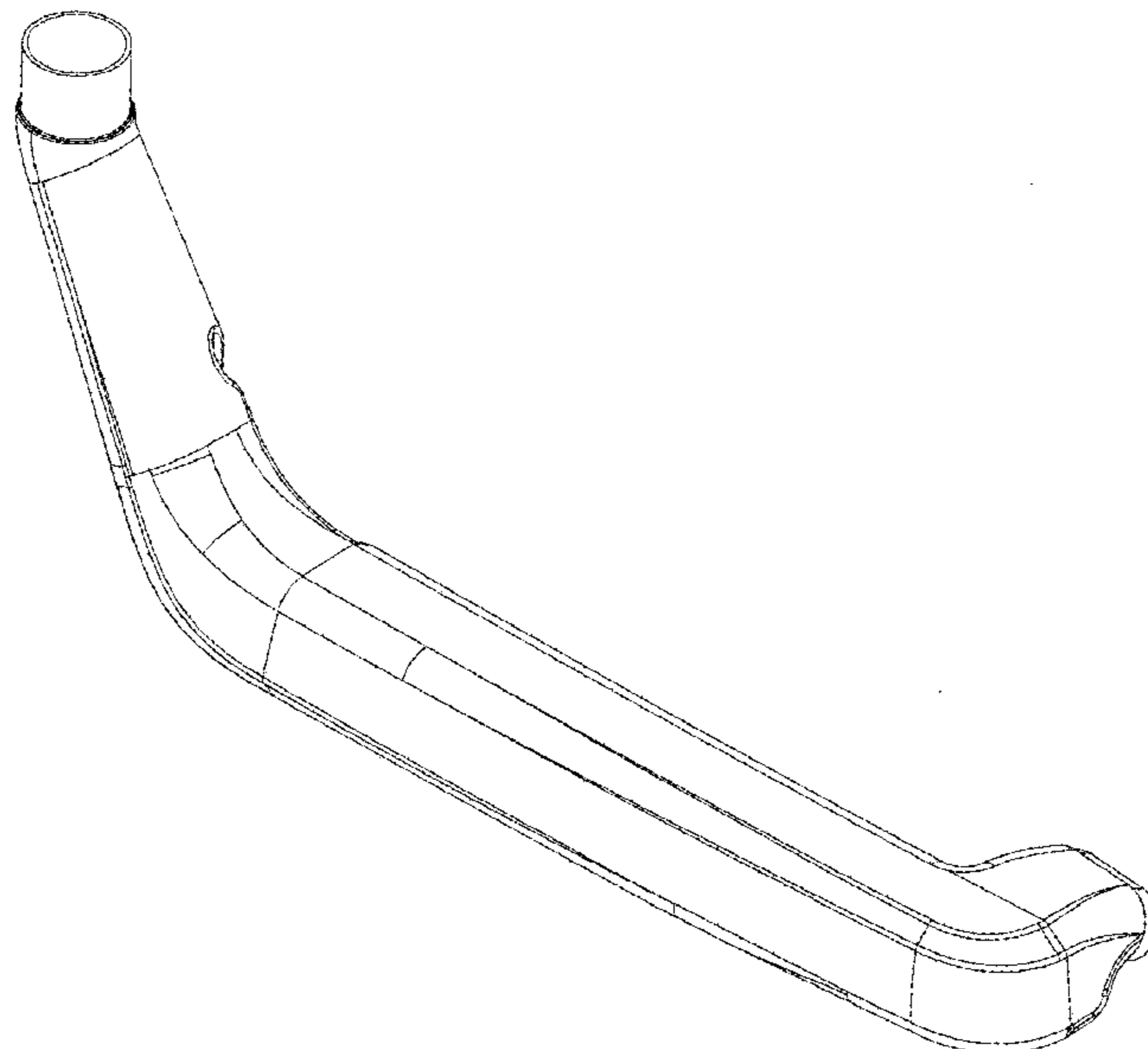
(57) **CLAIM**

The ornamental design for an air intake snorkel for a vehicle, as shown and described.

DESCRIPTION

FIG. 1 is a front view of an air intake snorkel for a vehicle; FIG. 2 is a left-side view thereof; FIG. 3 is a left isometric view thereof; FIG. 4 is a rear view thereof; FIG. 5 is a right-side view thereof; and, FIG. 6 is a right isometric view thereof.

1 Claim, 6 Drawing Sheets



(56)

References Cited

U.S. PATENT DOCUMENTS

2010/0229817 A1* 9/2010 Hirai F02M 35/10131
123/184.21
2014/0008136 A1* 1/2014 Bennett B60K 13/02
180/68.3
2015/0107563 A1* 4/2015 Naruoka B62K 11/04
123/559.1
2015/0240760 A1* 8/2015 Lewington F02M 35/164
95/269
2018/0319270 A1* 11/2018 Tier B60K 13/02

OTHER PUBLICATIONS

Safari 4x4 Engineering "SS1080HF: Safari V-Spec Snorkel Jeep JL Wrangler 2018 All Models, Suits: All Engine Variants" (online instruction manual) posted Jun. 24, 2019. Retrieved from Internet on Dec. 17, 2019, URL: <https://www.safari4x4.com.au/products/jeep/wrangler/jl-all-models-all-engines#downloads> (25 pages).*

* cited by examiner

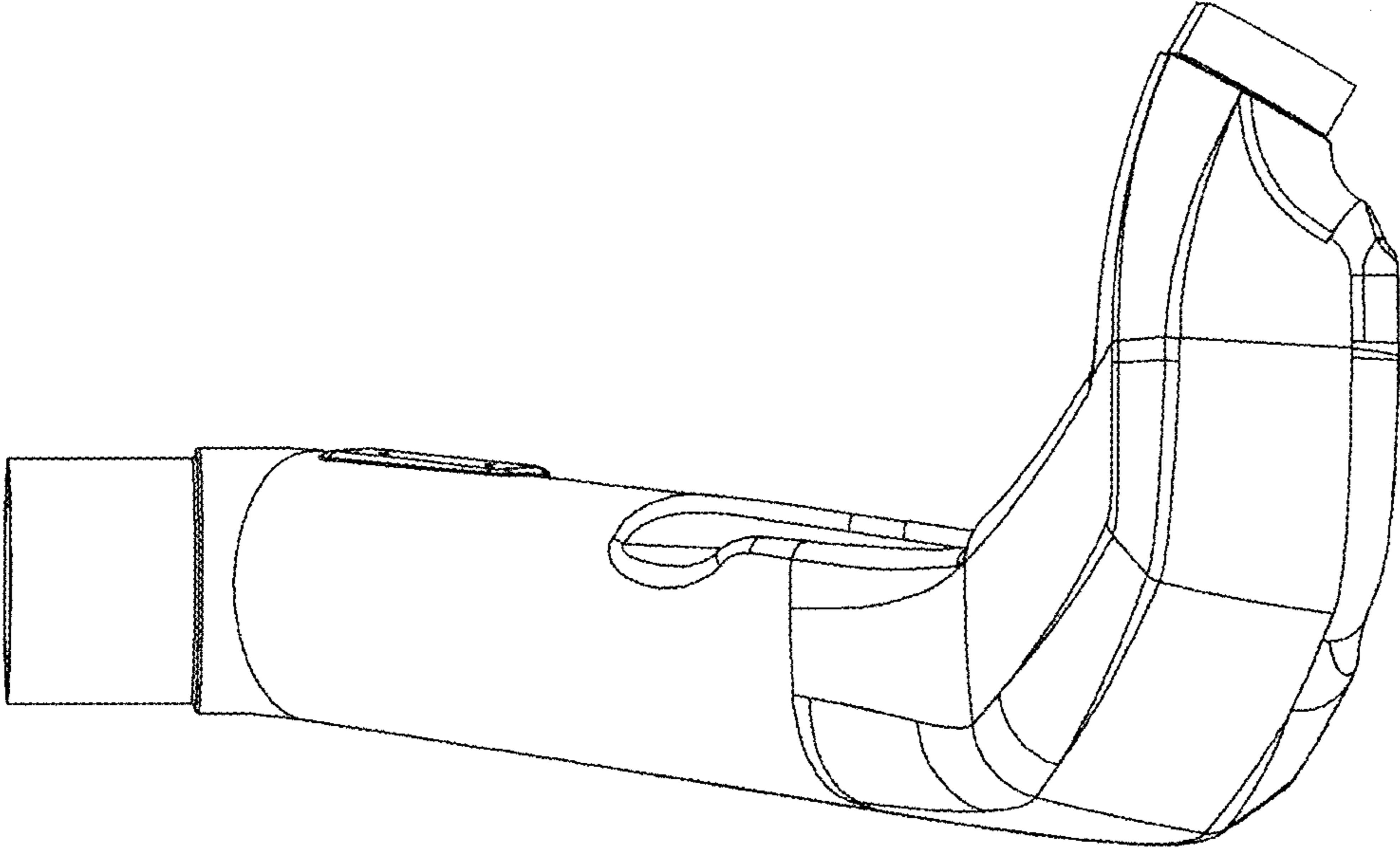


FIG. 1

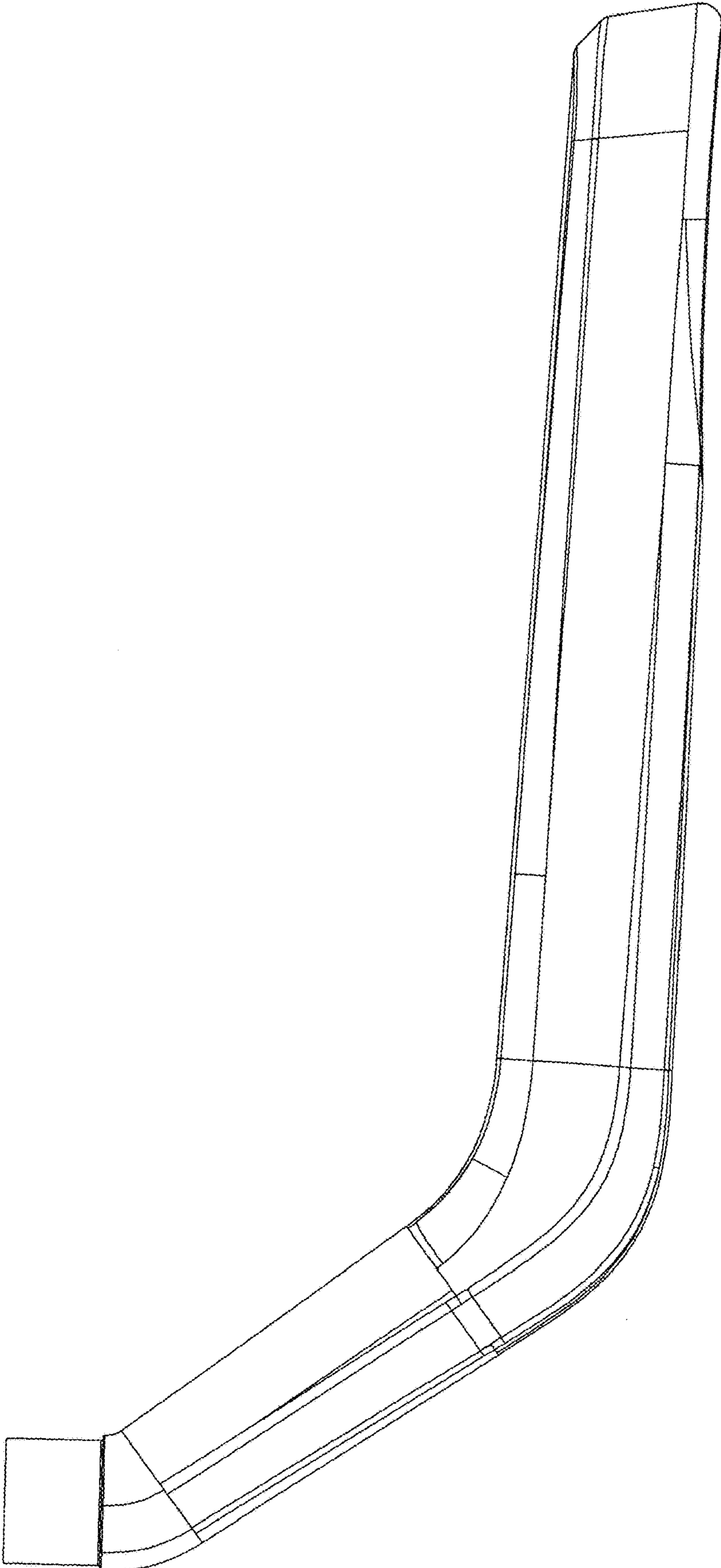


FIG. 2

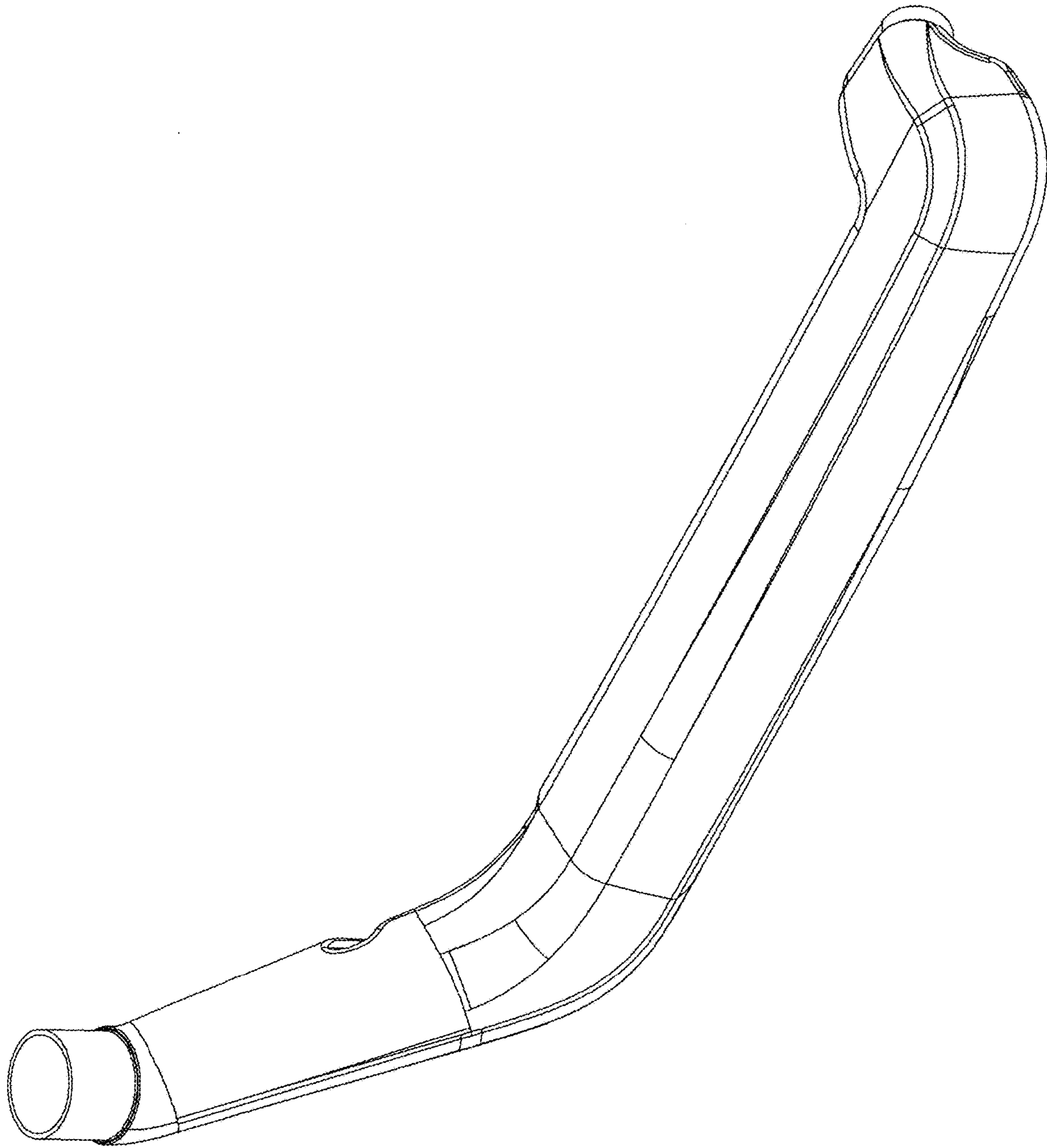


FIG. 3

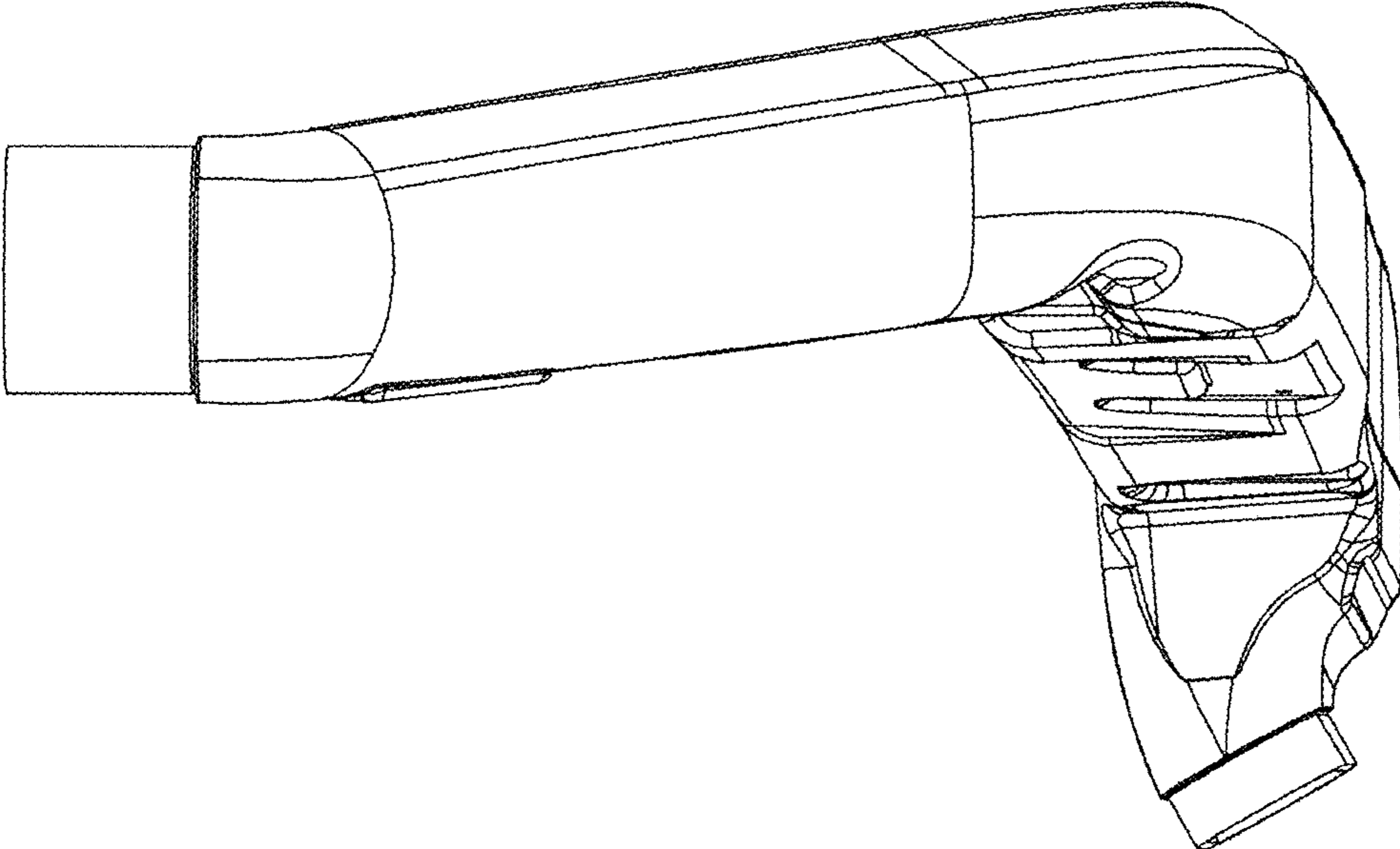


FIG. 4

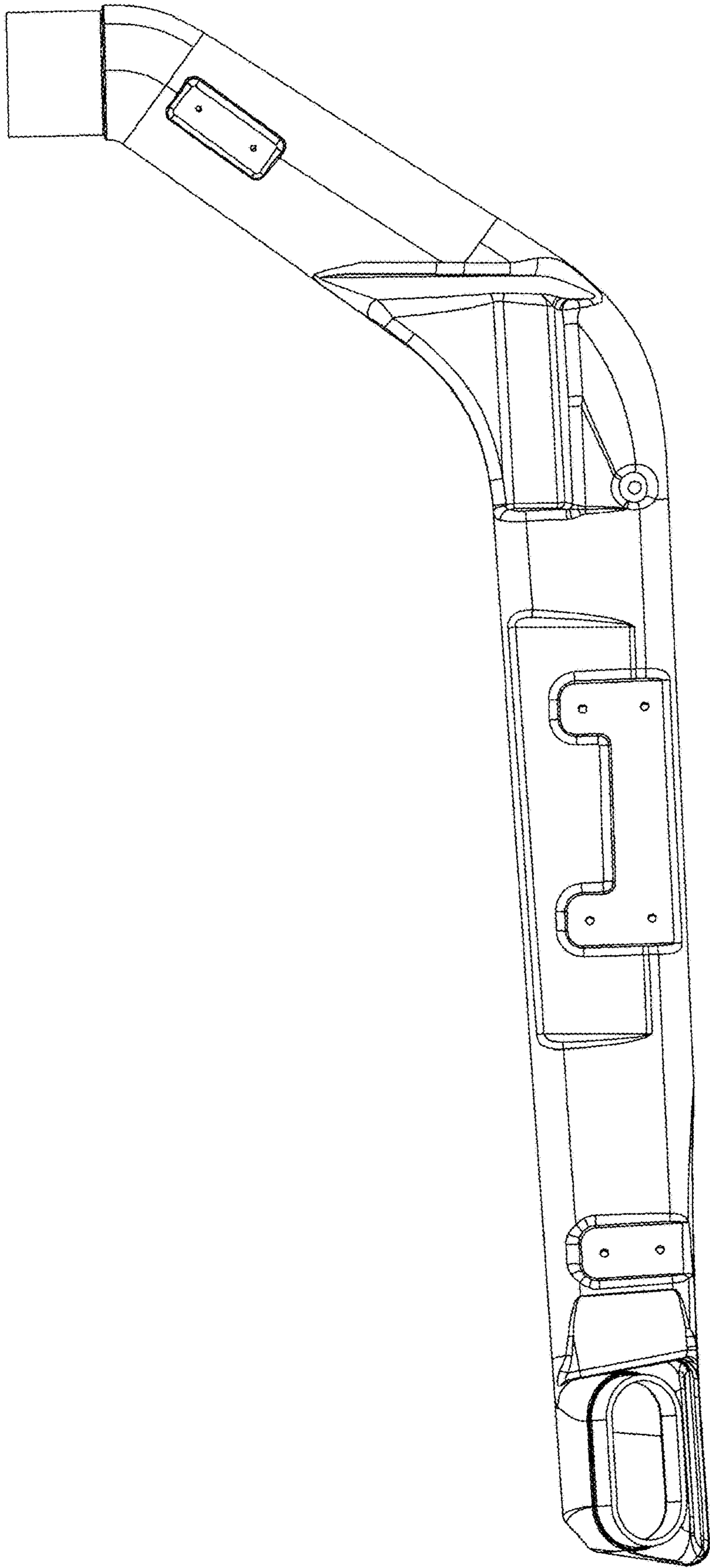


FIG. 5

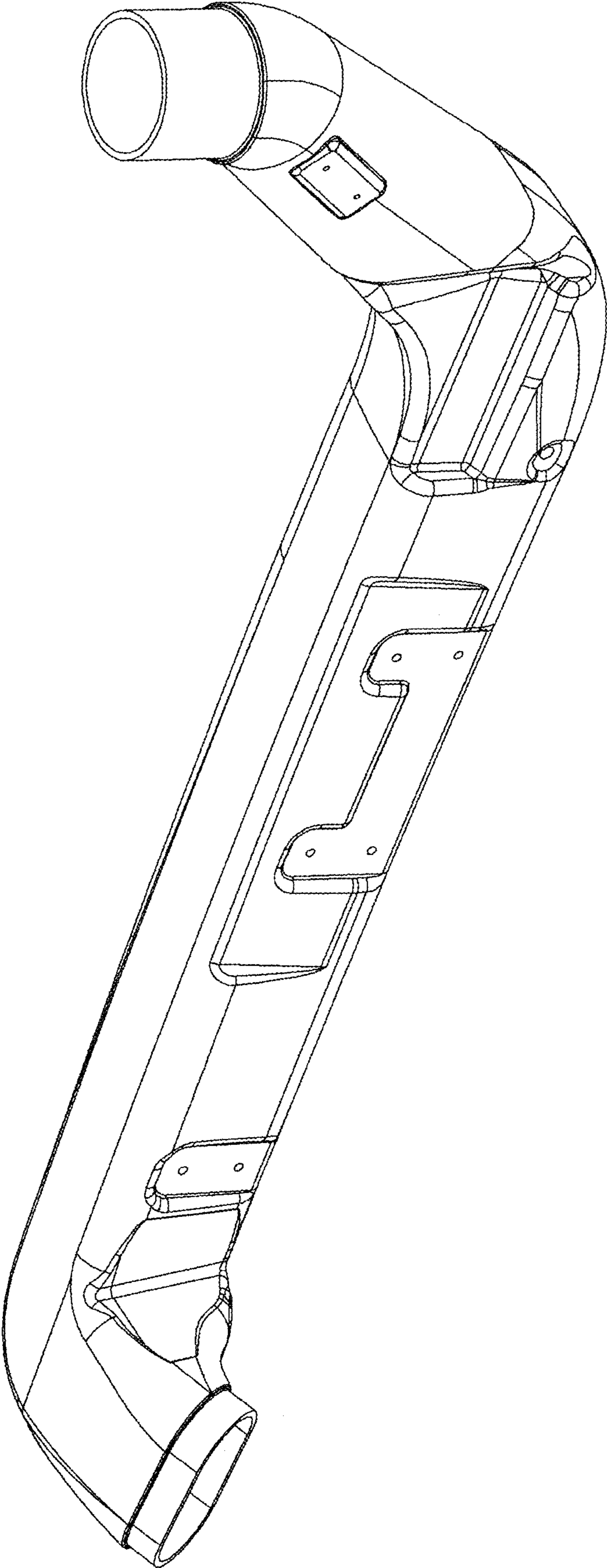


FIG. 6