



US00D896842S

(12) **United States Design Patent** (10) **Patent No.:** **US D896,842 S**
Jacob (45) **Date of Patent:** **** Sep. 22, 2020**

(54) **VALVE FOR ENGINE**

2010/0019186 A1* 1/2010 Keller F01L 9/02
 251/366
 2016/0319708 A1* 11/2016 Nielsen F01L 1/146
 2018/0156078 A1* 6/2018 Roberts F01L 1/146
 2018/0171835 A1* 6/2018 Sakaguchi F01L 1/356
 2018/0291771 A1* 10/2018 Roberts B23C 3/30
 2018/0363513 A1* 12/2018 Roberts F01L 1/146

(71) Applicant: **INNIO Jenbacher GmbH & Co OG,**
Jenbach (AT)

(72) Inventor: **Raphael Jacob,** Pfaffenhofen (DE)

(73) Assignee: **INNIO Jenbacher GmbH & Co OG,**
Jenbach (AT)

* cited by examiner

(**) Term: **15 Years**

Primary Examiner — Ania Aman

(74) *Attorney, Agent, or Firm* — Fletcher Yoder, P.C.

(21) Appl. No.: **29/565,459**

(22) Filed: **May 20, 2016**

(57) **CLAIM**

(30) **Foreign Application Priority Data**

The ornamental design for valve for engine, as shown and described.

Nov. 23, 2015 (EM) 002873349

(51) **LOC (12) Cl.** **15-01**

(52) **U.S. Cl.**
USPC **D15/5**

DESCRIPTION

(58) **Field of Classification Search**

USPC D15/1-6
CPC F01B 25/10; F02D 9/08; F02K 9/58
See application file for complete search history.

FIG. 1 is a perspective view of a valve for engine.

FIG. 2 is a top view thereof;

FIG. 3 is a front side view thereof;

FIG. 4 is a right side view thereof;

FIG. 5 is a rear side view thereof;

FIG. 6 is a left side view thereof; and,

FIG. 7 is a bottom view thereof.

The broken lines shown in the drawings define the bounds of the claimed design and form no part thereof.

(56) **References Cited**

U.S. PATENT DOCUMENTS

D785,047 S * 4/2017 Zurface D15/5
2005/0028767 A1* 2/2005 Liedtke F01L 9/02
123/90.16

1 Claim, 7 Drawing Sheets

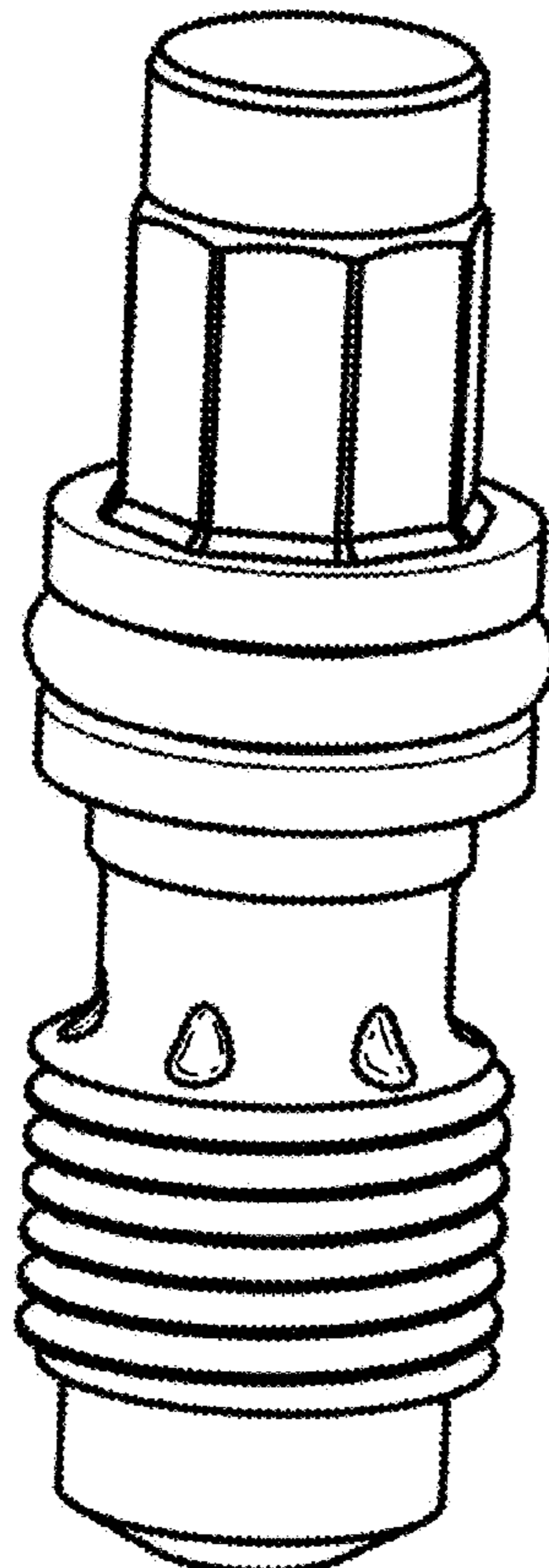


Fig. 1

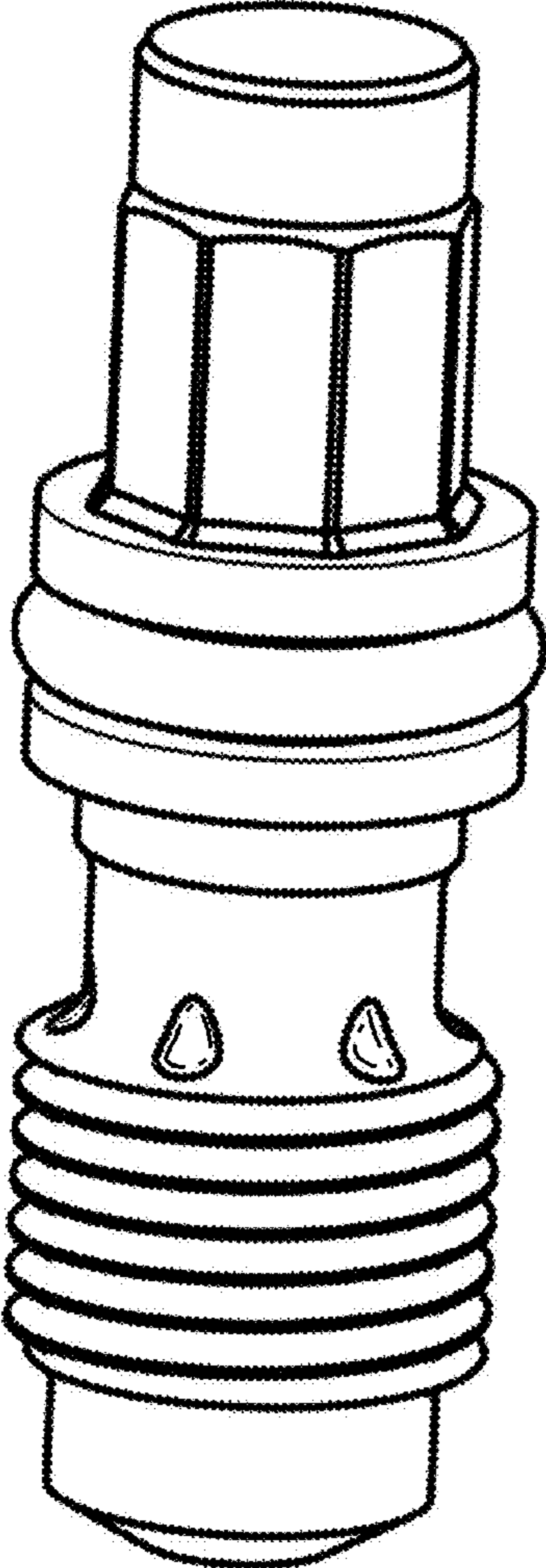


Fig. 2

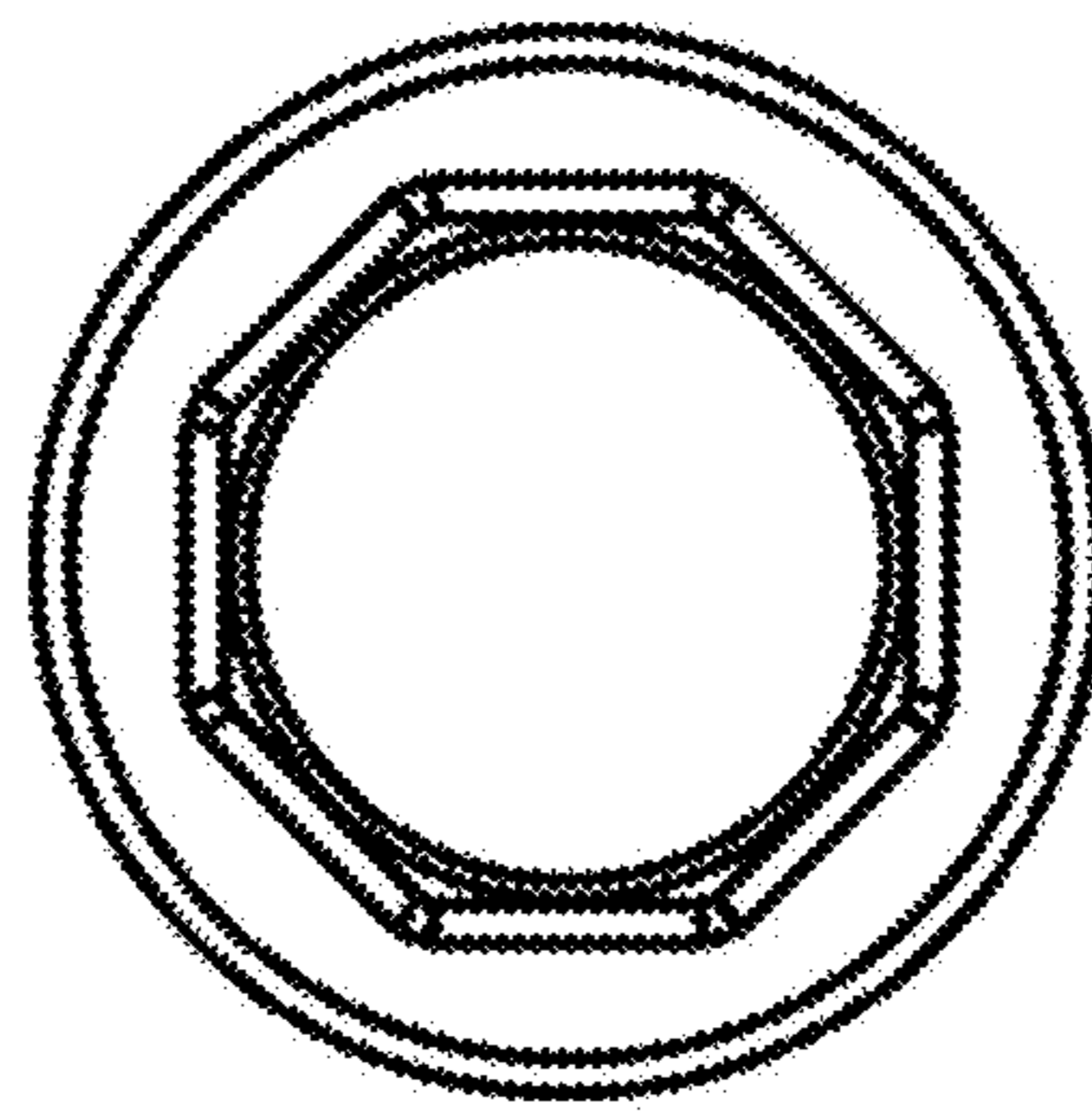


Fig. 3

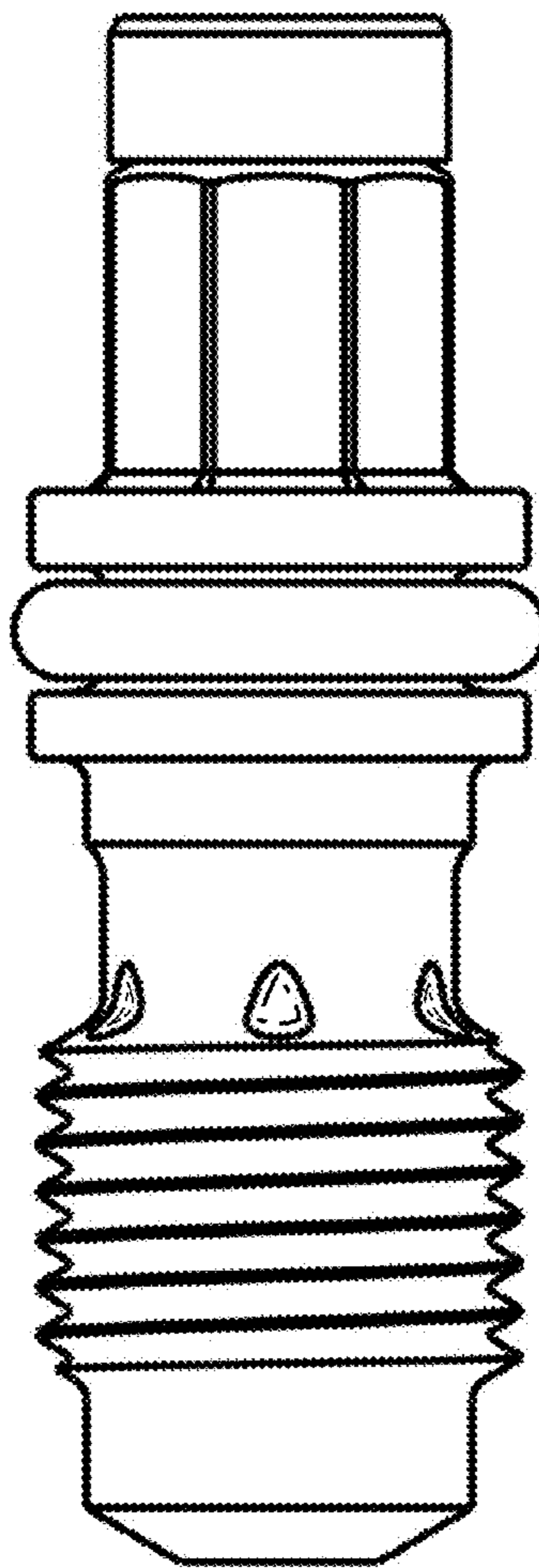


Fig. 4

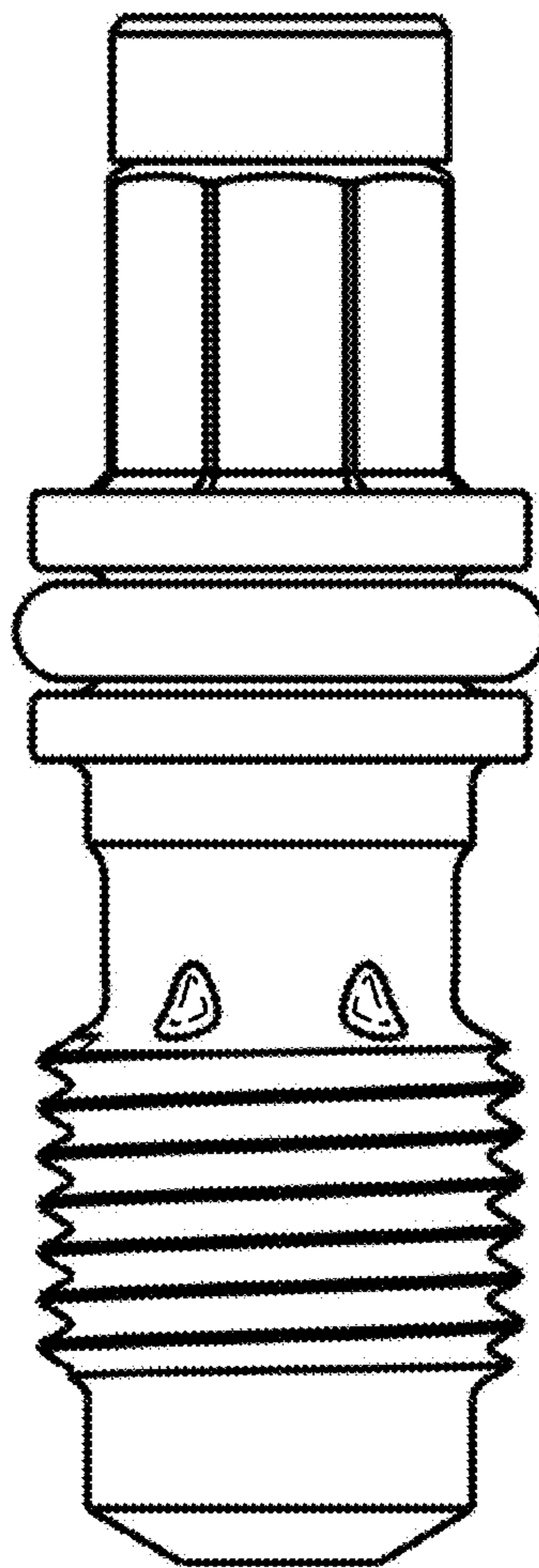


Fig. 6

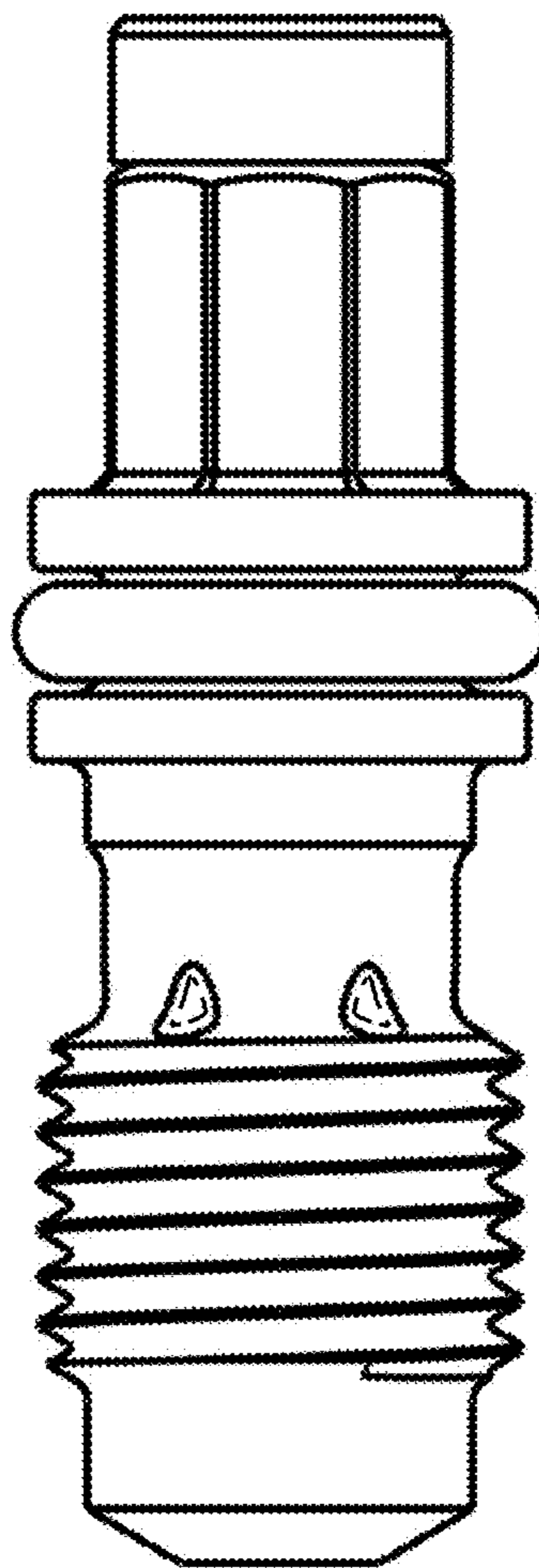


Fig. 7

