



US00D896841S

(12) **United States Design Patent** (10) **Patent No.:** **US D896,841 S**
Sekita et al. (45) **Date of Patent:** **** Sep. 22, 2020**

(54) **ENGINE**

(71) Applicant: **Yanmar Co., Ltd.**, Osaka-shi, Osaka-fu (JP)

(72) Inventors: **Hiroki Sekita**, Osaka (JP); **Masataka Uchibori**, Osaka (JP); **Kiyoyuki Okuyama**, Yamagata (JP)

(73) Assignee: **YANMAR CO., LTD.**, Osaka (JP)

(**) Term: **15 Years**

(21) Appl. No.: **29/632,067**

(22) Filed: **Jan. 4, 2018**

(30) **Foreign Application Priority Data**

Jul. 7, 2017 (JP) 2017-014679

(51) **LOC (12) Cl.** **15-01**

(52) **U.S. Cl.**
USPC **D15/3**

(58) **Field of Classification Search**
USPC D15/1-6
CPC ... F01M 5/00; F16M 1/026; F02P 3/02; F02B 37/013

See application file for complete search history.

(56) **References Cited**

U.S. PATENT DOCUMENTS

D665,425 S *	8/2012	Genter	D15/3
D704,740 S *	5/2014	Bellinger	D15/1
D710,899 S *	8/2014	Kuehner	D15/1
D733,763 S *	7/2015	Nuta	D15/1
D735,757 S *	8/2015	Nuta	D15/1

D759,726 S *	6/2016	Takao	D15/1
D766,986 S *	9/2016	Bonanni	D15/1
D777,791 S *	1/2017	Okuyama	D15/1
D785,674 S *	5/2017	Takahata	D15/1
2001/0039908 A1 *	11/2001	Bilek	F01B 1/12 114/55.5
2004/0159303 A1 *	8/2004	Aketa	F01B 1/12 123/195 R
2011/0154818 A1 *	6/2011	Takahata	F01D 25/145 60/599

* cited by examiner

Primary Examiner — Ania Aman

(74) *Attorney, Agent, or Firm* — Norton Rose Fulbright US LLP

(57) **CLAIM**

The ornamental design for an engine, as shown and described.

DESCRIPTION

FIG. 1 is a perspective view of the engine showing our new design, taken from the top, front and left side thereof; FIG. 2 is a front elevational view thereof; FIG. 3 is a rear elevational view thereof; FIG. 4 is a left side elevational view thereof; FIG. 5 is a right side elevational view thereof; FIG. 6 is a top plan view thereof; and, FIG. 7 is a bottom plan view thereof.

The broken lines are for purpose of illustrating portions of the article that form no part of the claim. The surface is lined for contour only, and no claim is made to a particular texture. No claim is made to portions not shown in the drawings.

1 Claim, 7 Drawing Sheets

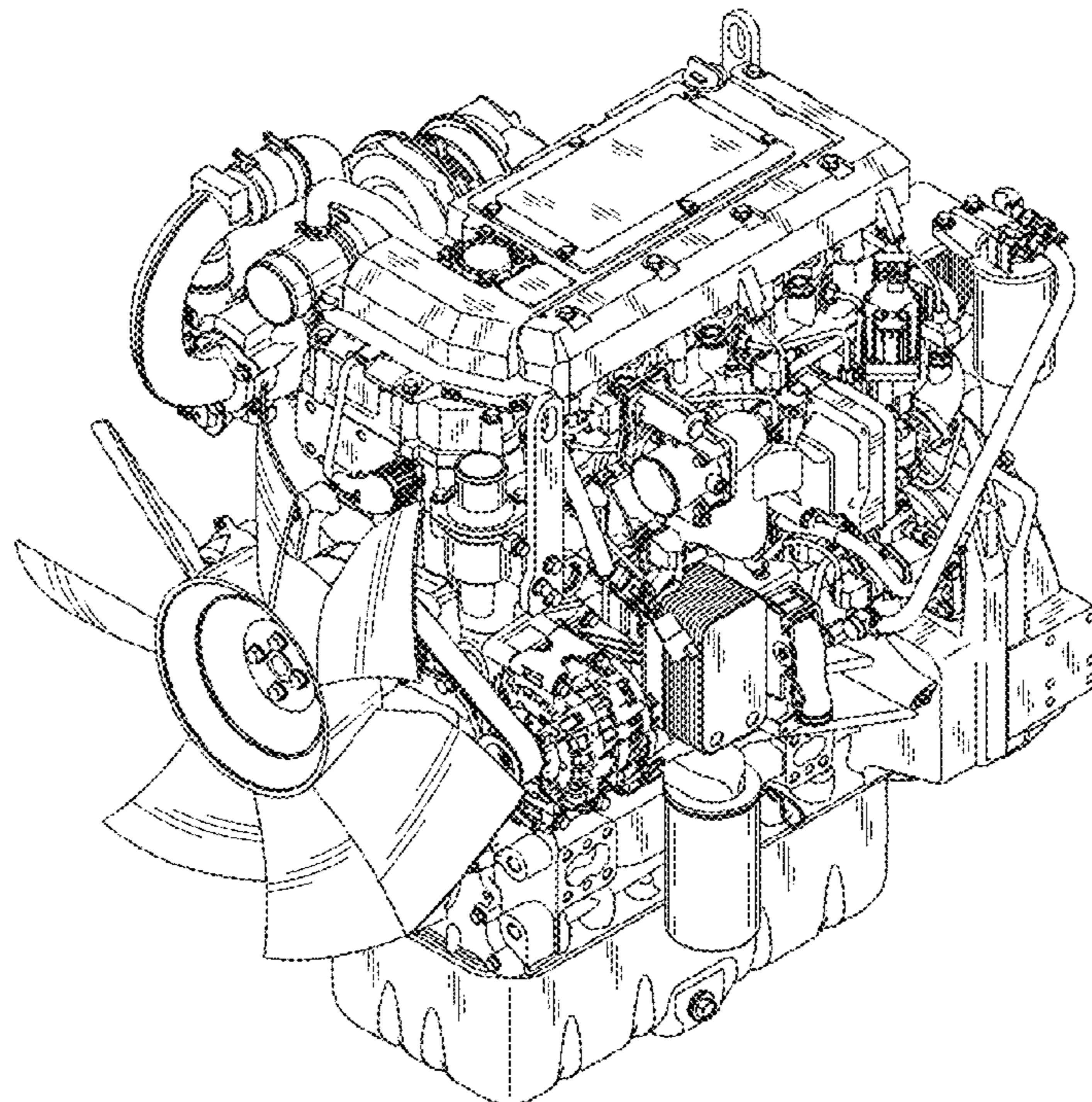


FIG. 1

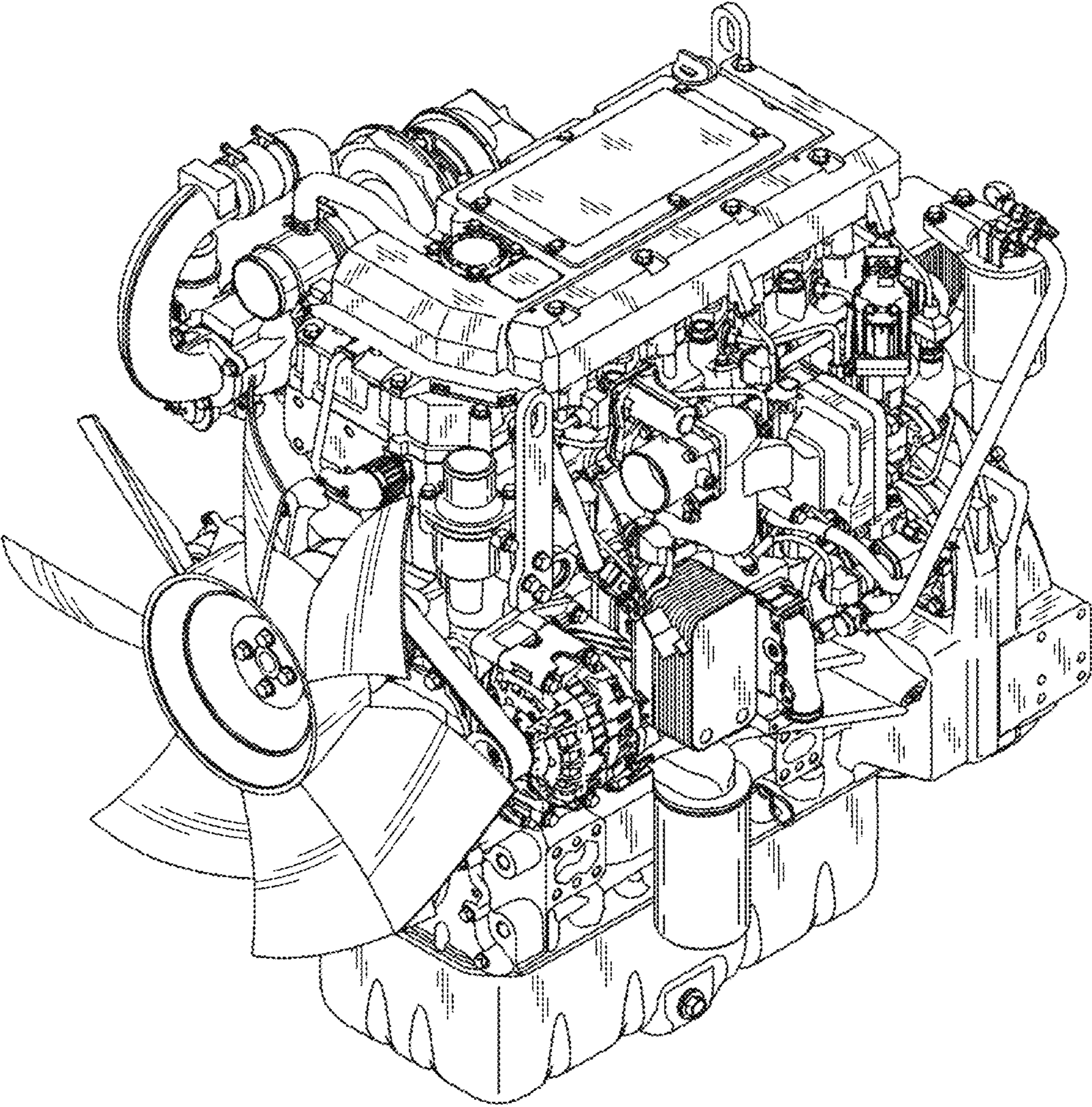


FIG. 2

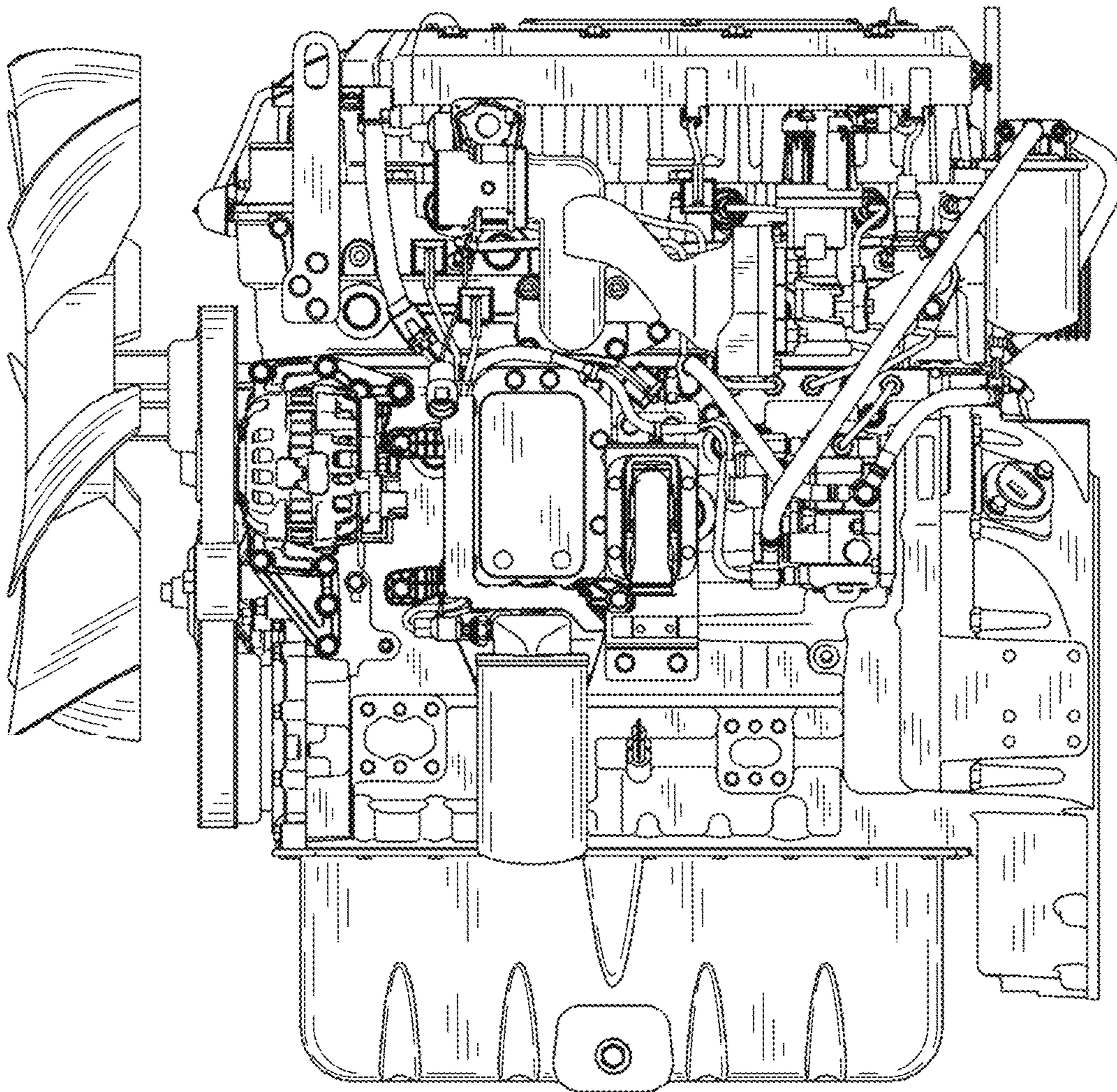


FIG. 3

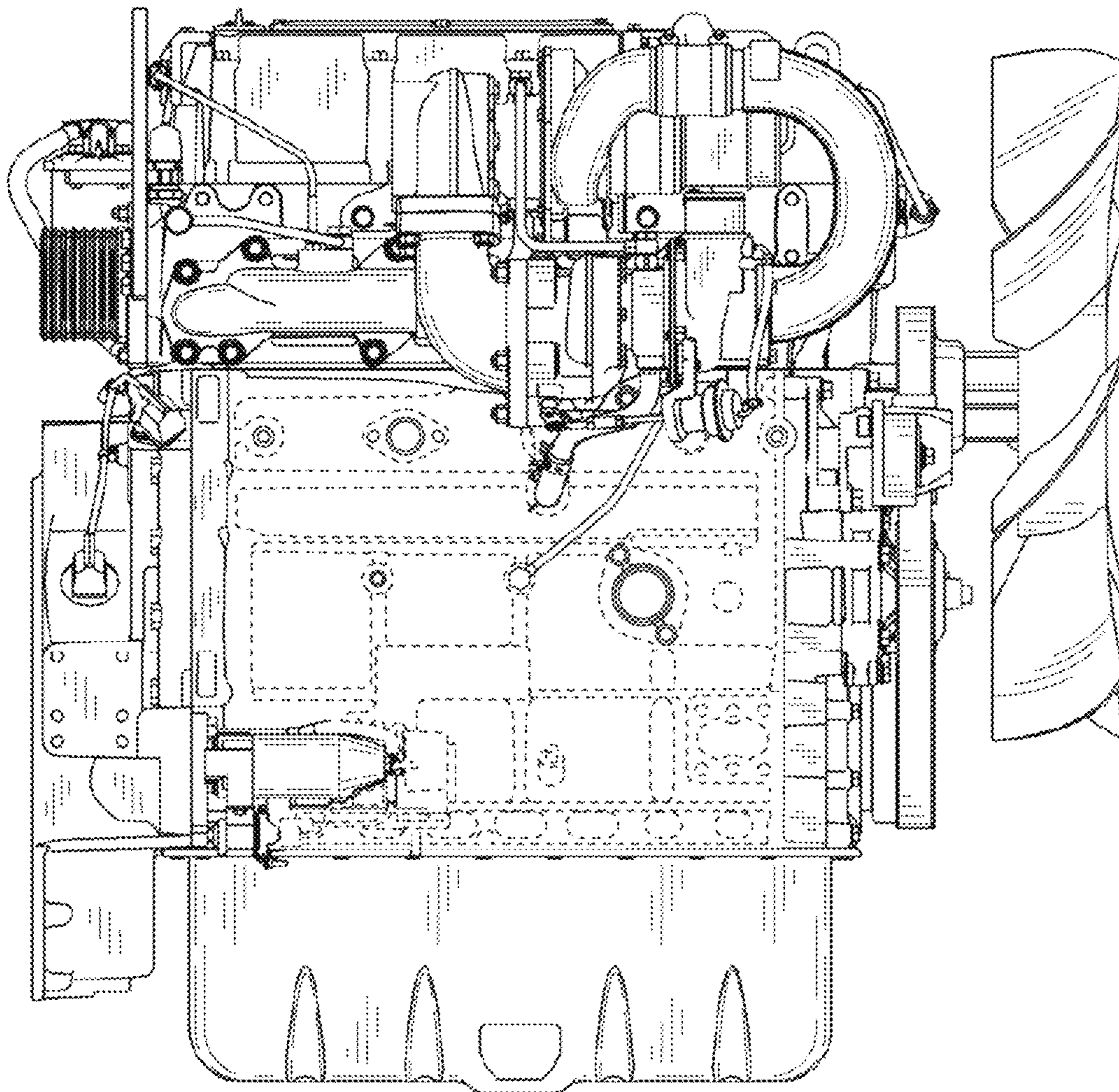


FIG. 4

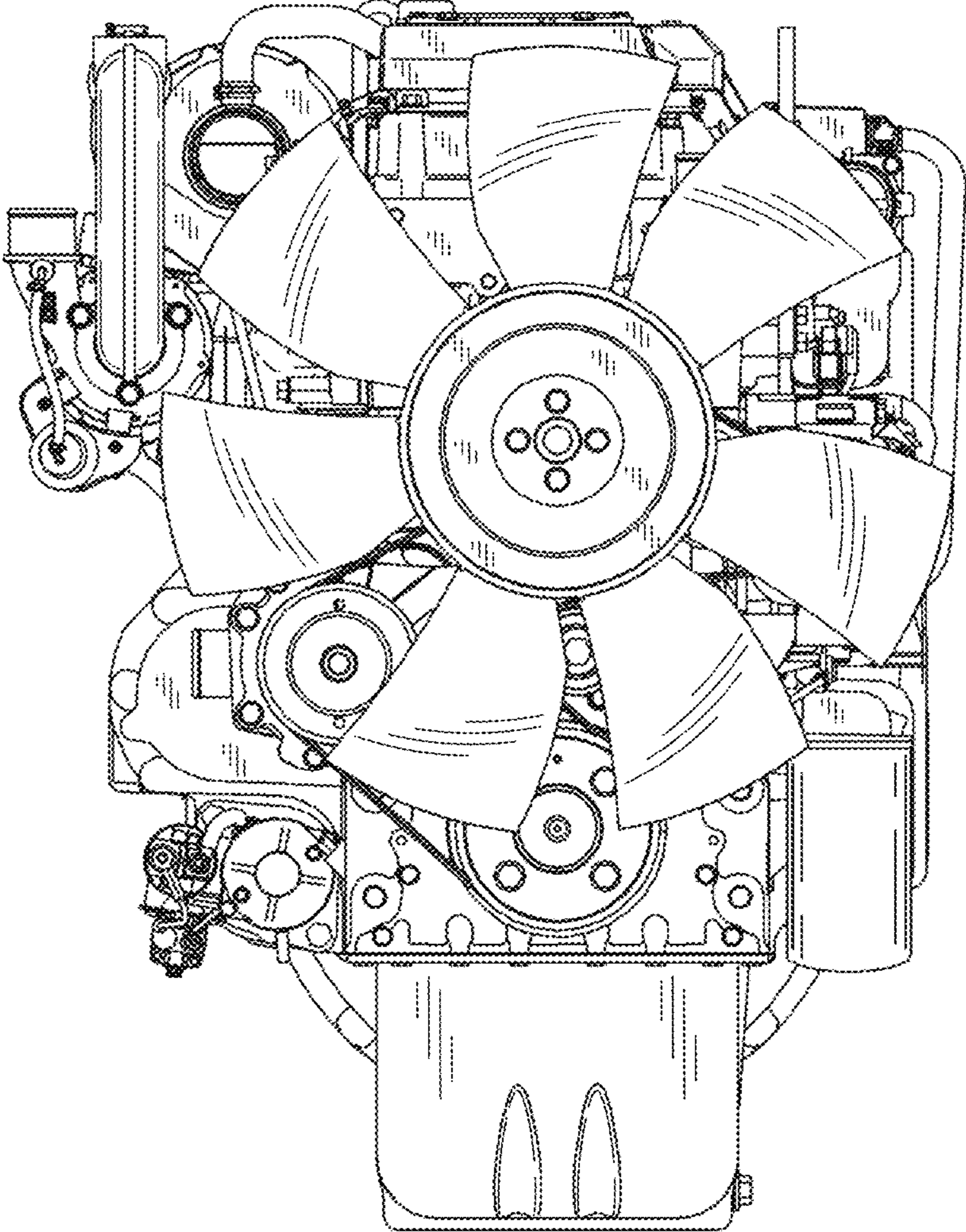


FIG. 5

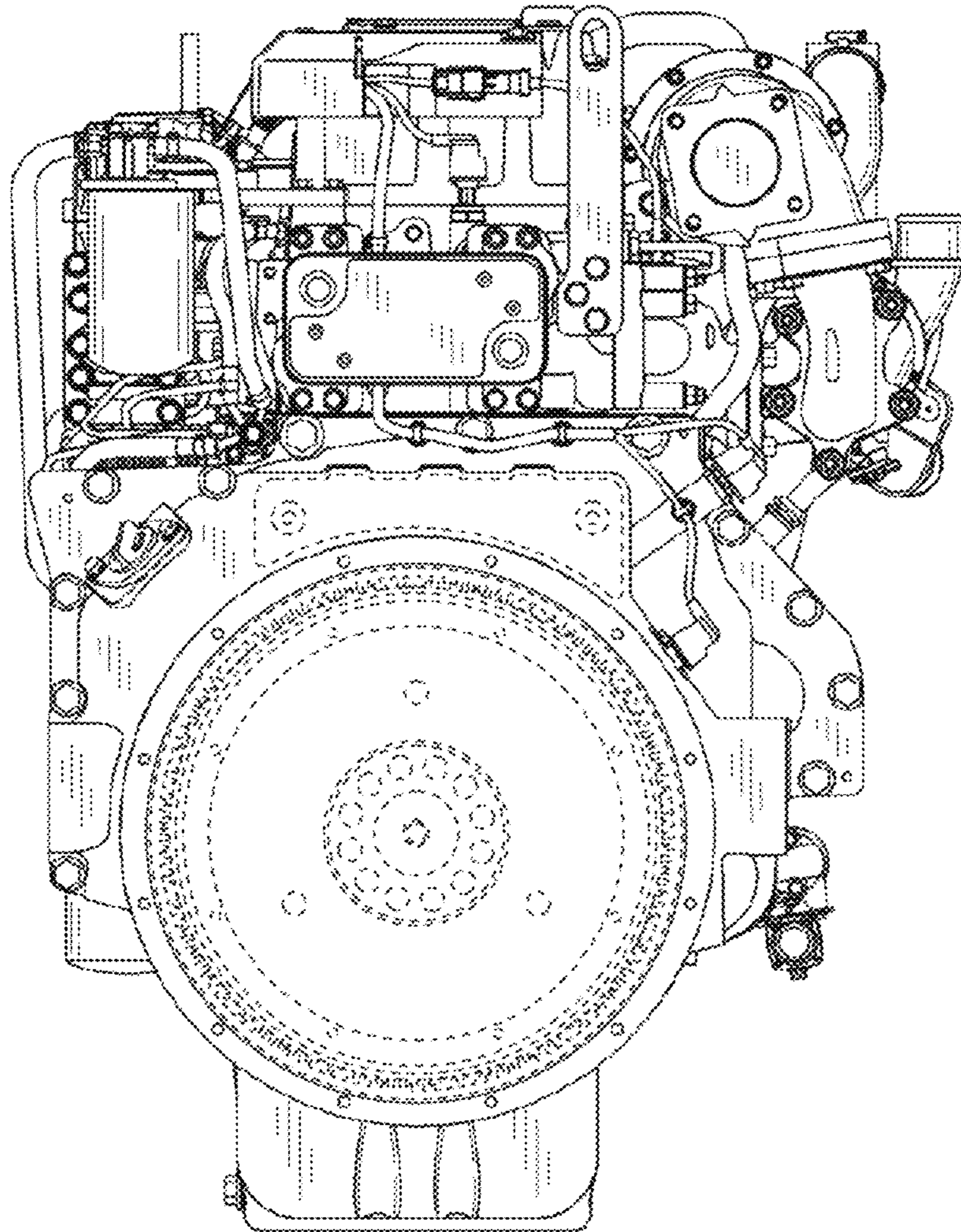


FIG. 6

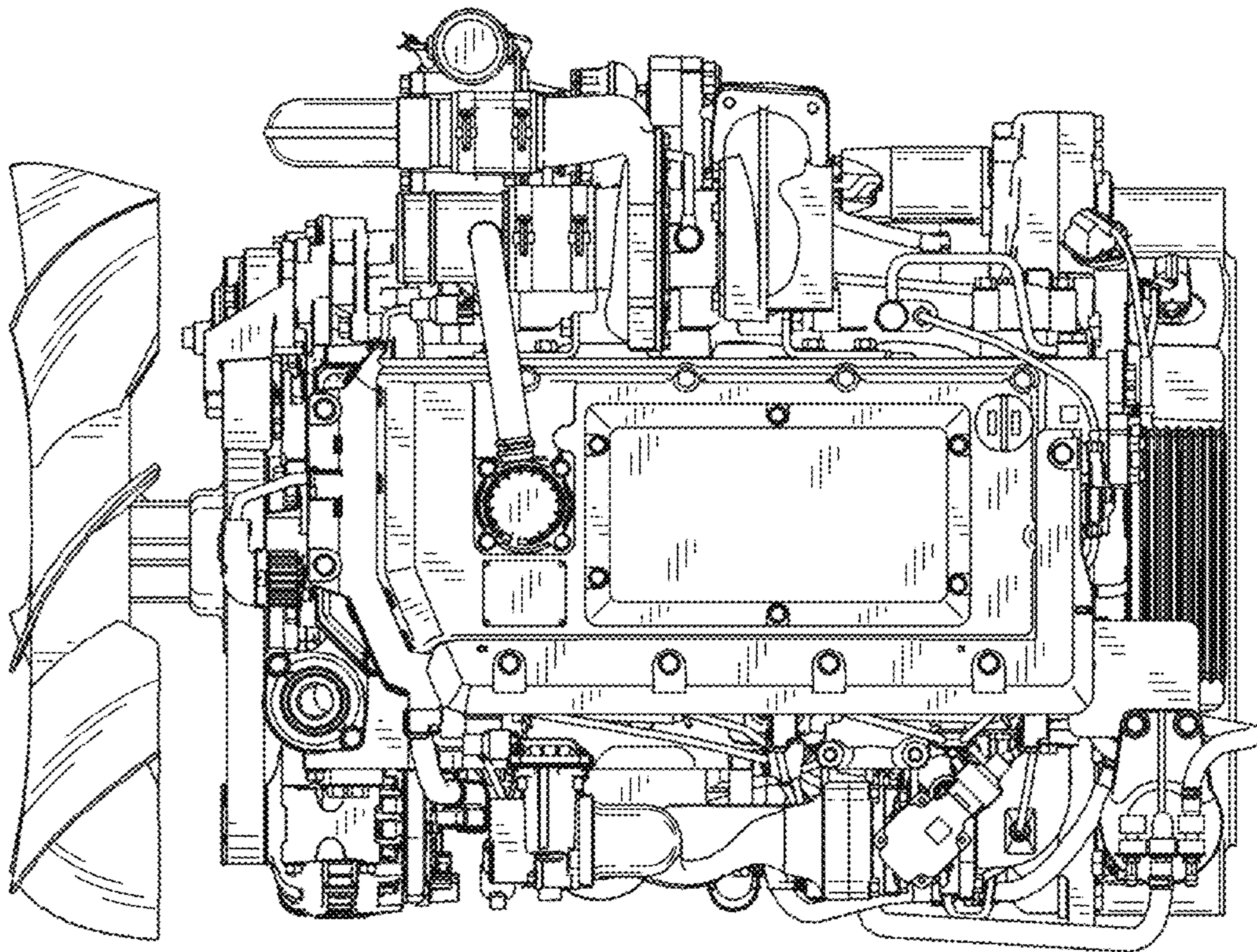


FIG. 7

