

US00D896817S

(12) **United States Design Patent** (10) **Patent No.:** **US D896,817 S**
McKay (45) **Date of Patent:** **** Sep. 22, 2020**

(54) **EXTENSION ARM**

(71) Applicant: **Garry McKay**, Milton Keynes (GB)

(72) Inventor: **Garry McKay**, Milton Keynes (GB)

(**) Term: **15 Years**

(21) Appl. No.: **29/644,374**

(22) Filed: **Apr. 17, 2018**

(51) **LOC (12) Cl.** **14-02**

(52) **U.S. Cl.**
USPC **D14/452**

(58) **Field of Classification Search**
USPC D14/447-452, 336, 341, 371, 373, 374,
D14/375, 376, 377, 126, 127, 128, 129,
D14/239

CPC F16M 11/105; F16M 11/10; F16M 11/048;
F16M 11/12; F16M 13/022

See application file for complete search history.

(56) **References Cited**

U.S. PATENT DOCUMENTS

D462,969 S *	9/2002	Scharer	D14/447
6,857,610 B1 *	2/2005	Conner	F16M 11/14 248/284.1
D537,323 S *	2/2007	Saez	D14/452
8,162,271 B2 *	4/2012	Li	F16M 11/105 248/162.1
D731,497 S *	6/2015	Xiang	D14/447
10,436,244 B2 *	10/2019	Hung	F16M 11/2092
2005/0284997 A1 *	12/2005	Tisbo	F16M 11/08 248/276.1
2008/0029661 A1 *	2/2008	Chen	F16M 11/105 248/176.1
2008/0029670 A1 *	2/2008	Hung	F16M 11/041 248/278.1

(Continued)

FOREIGN PATENT DOCUMENTS

CA	3004672 A1 *	12/2018	F16M 11/24
WO	WO-2015154575 A1 *	10/2015	F16M 11/12
WO	WO-2018141000 A1 *	8/2018	F16B 21/02

OTHER PUBLICATIONS

Space Co. Link: <http://www.spaceco.com/polearm.php>. Visited Feb. 18, 2020. Vesa, One Arm Single ext, Bolt Through, Color—Platinum. (Year: 2020).*

(Continued)

Primary Examiner — Lauren D McVey

(74) *Attorney, Agent, or Firm* — Carl A. Hjort, III

(57) **CLAIM**

The ornamental design for an extension arm, as shown and described.

DESCRIPTION

FIG. 1 is a top perspective view of an extension arm showing my new design;

FIG. 2 is a right side elevation view thereof, the left side elevation view being a mirror image thereof;

FIG. 3 is a top plan view thereof;

FIG. 4 is a bottom plan view thereof;

FIG. 5 is a partially exploded bottom perspective view of an extension arm;

FIG. 6 is an enlarged view of the encircled area of FIG. 5; FIG. 7 is an enlarged rear elevation view of an extension the extension arm shown in FIG. 1;

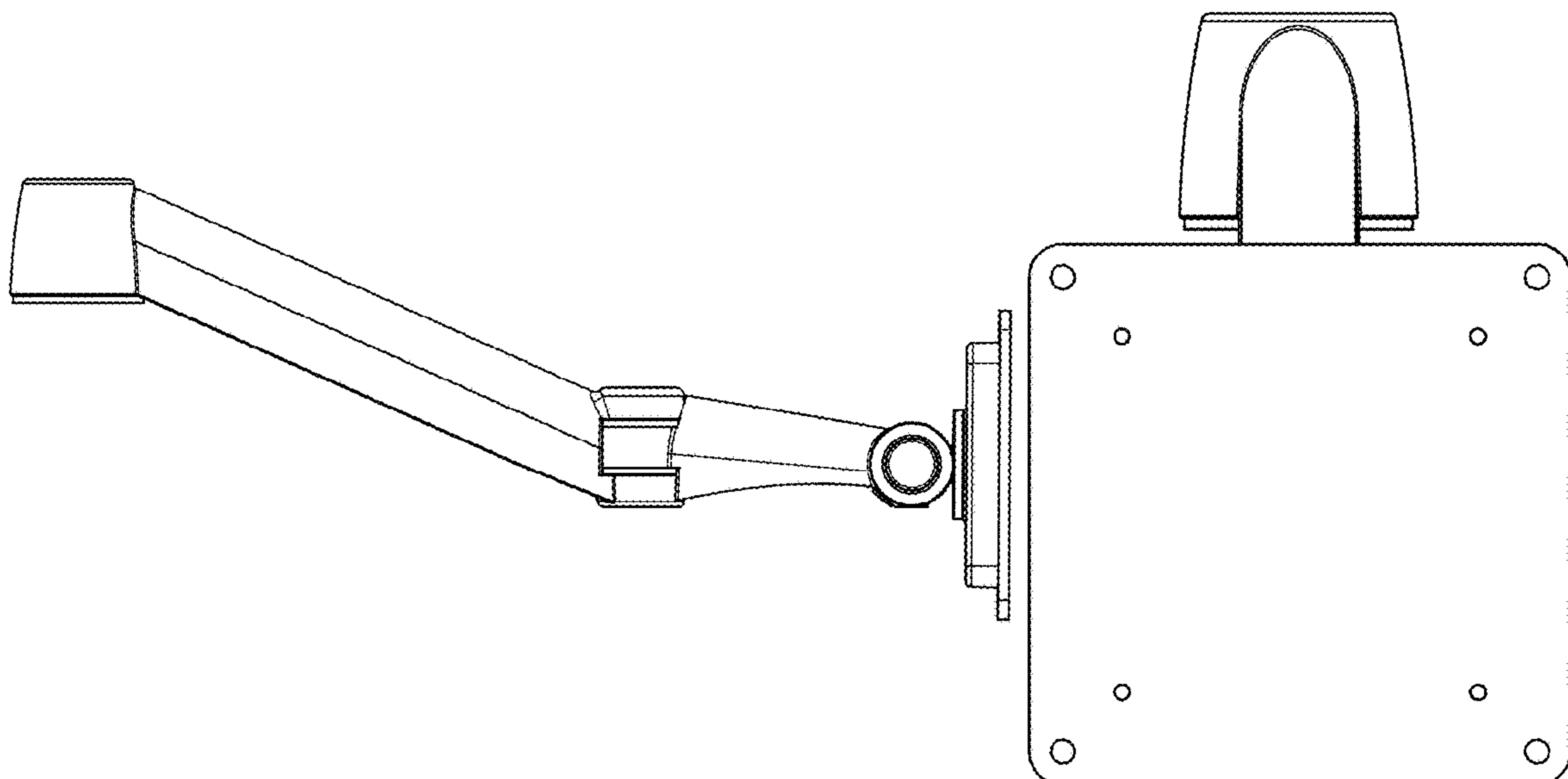
FIG. 8 is a front elevation view thereof;

FIG. 9 is a side view of the extension arm in a representative environment, the dashed lines are directed to environment and form no part of the claimed design; and,

FIG. 10 is an exploded top perspective view of the extension arm.

The wire frame lines shown throughout the views indicate surface contour.

1 Claim, 10 Drawing Sheets



(56)

References Cited

U.S. PATENT DOCUMENTS

2008/0164395 A1* 7/2008 Chang F16M 11/105
248/276.1
2013/0112828 A1* 5/2013 Sapper F16M 11/08
248/274.1
2014/0138506 A1* 5/2014 Dahl F16M 13/022
248/276.1
2017/0150817 A1* 6/2017 Hung F16M 11/105

OTHER PUBLICATIONS

Amazon. Link: https://www.amazon.com/dp/B010QZCT5W/ref=cm_sw_r_tw_dp_U_x_NjftEbB8F2GV3. Nov. 1, 2015. AmazonBasics Premium Wall Mount Computer Monitor and TV Stand. (Year: 2015).*

* cited by examiner

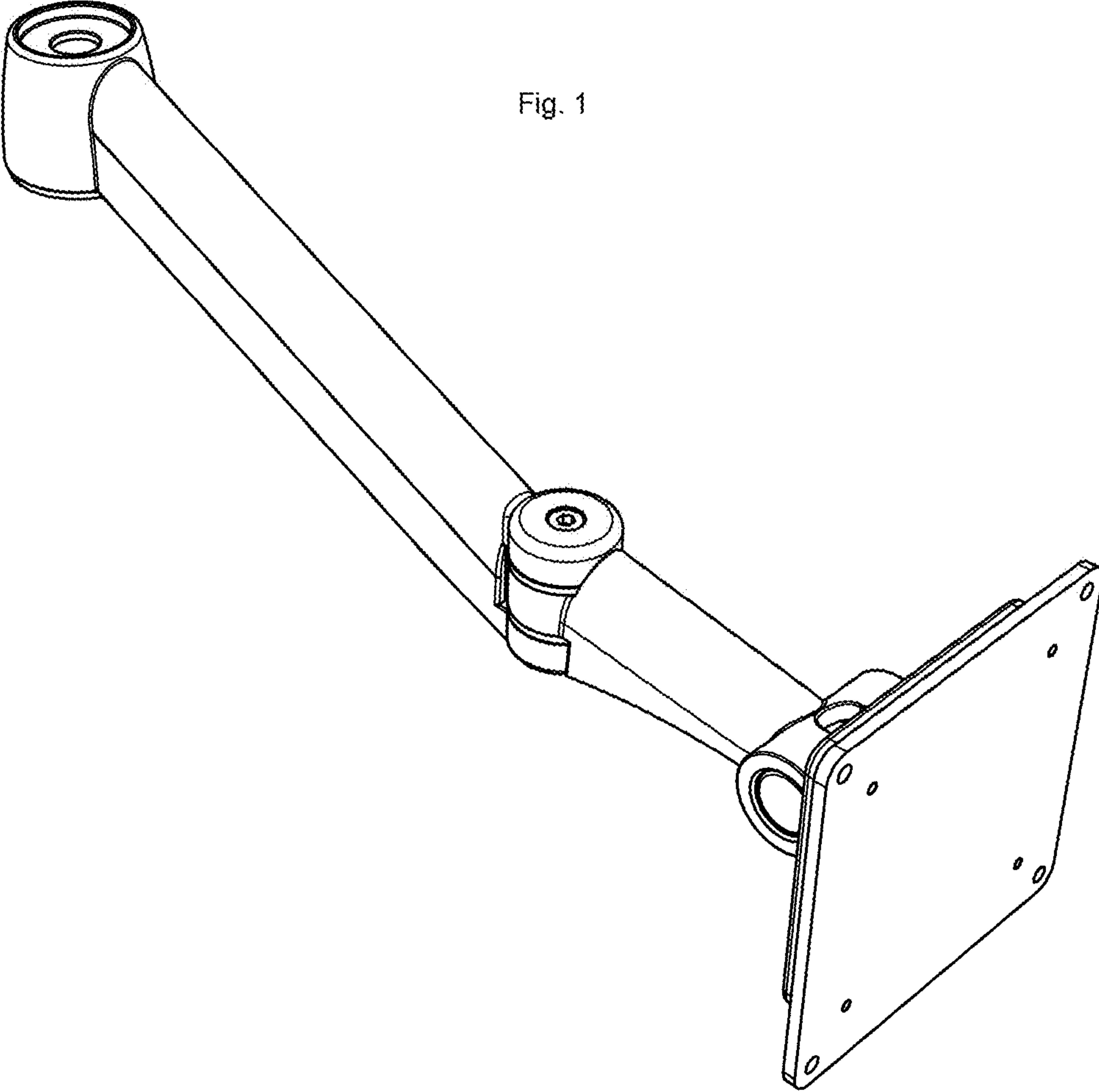
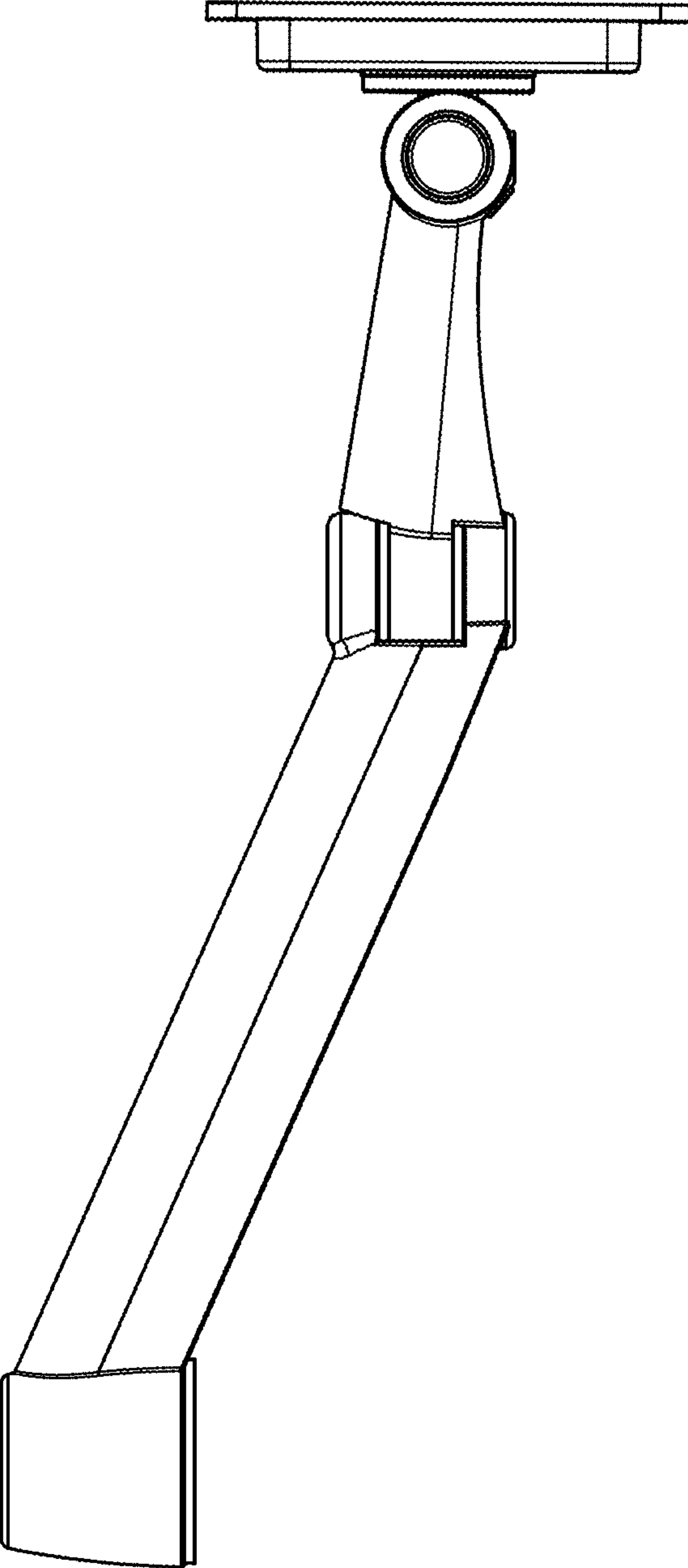


Fig. 1

Fig. 2



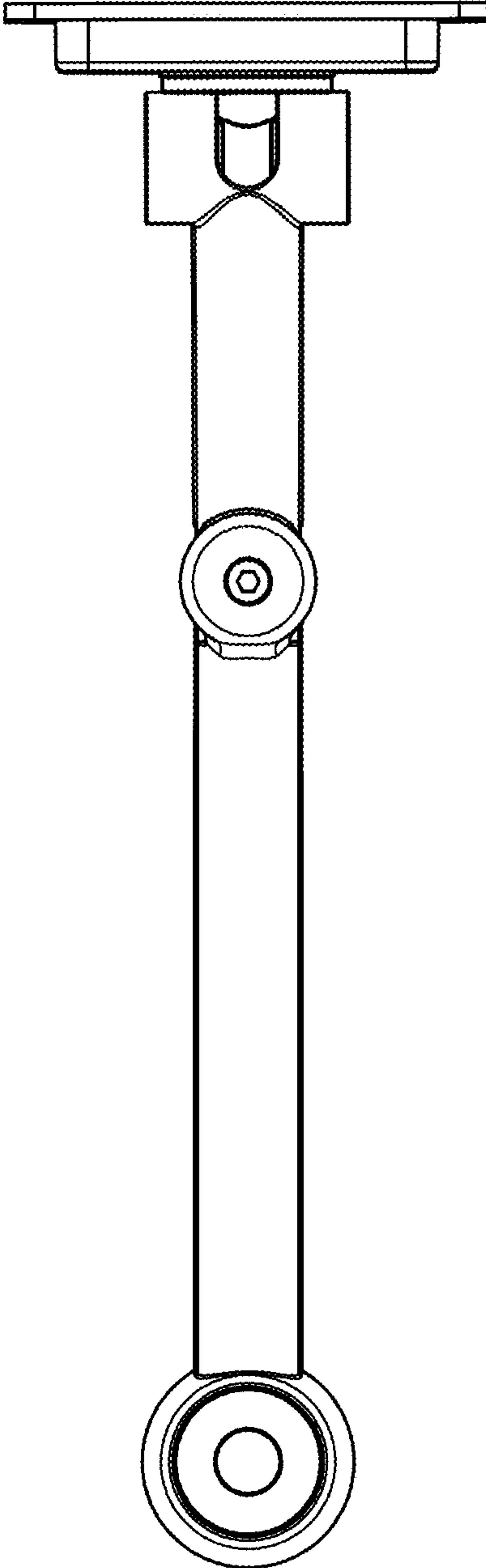


Fig. 3

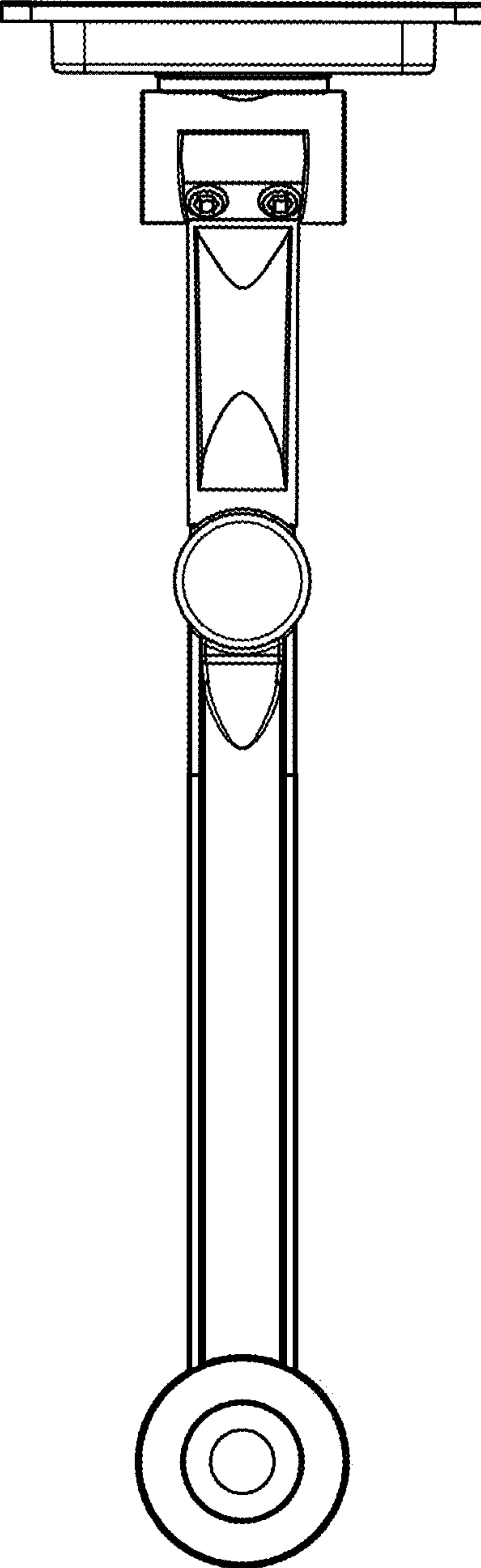


Fig. 4

Fig. 5

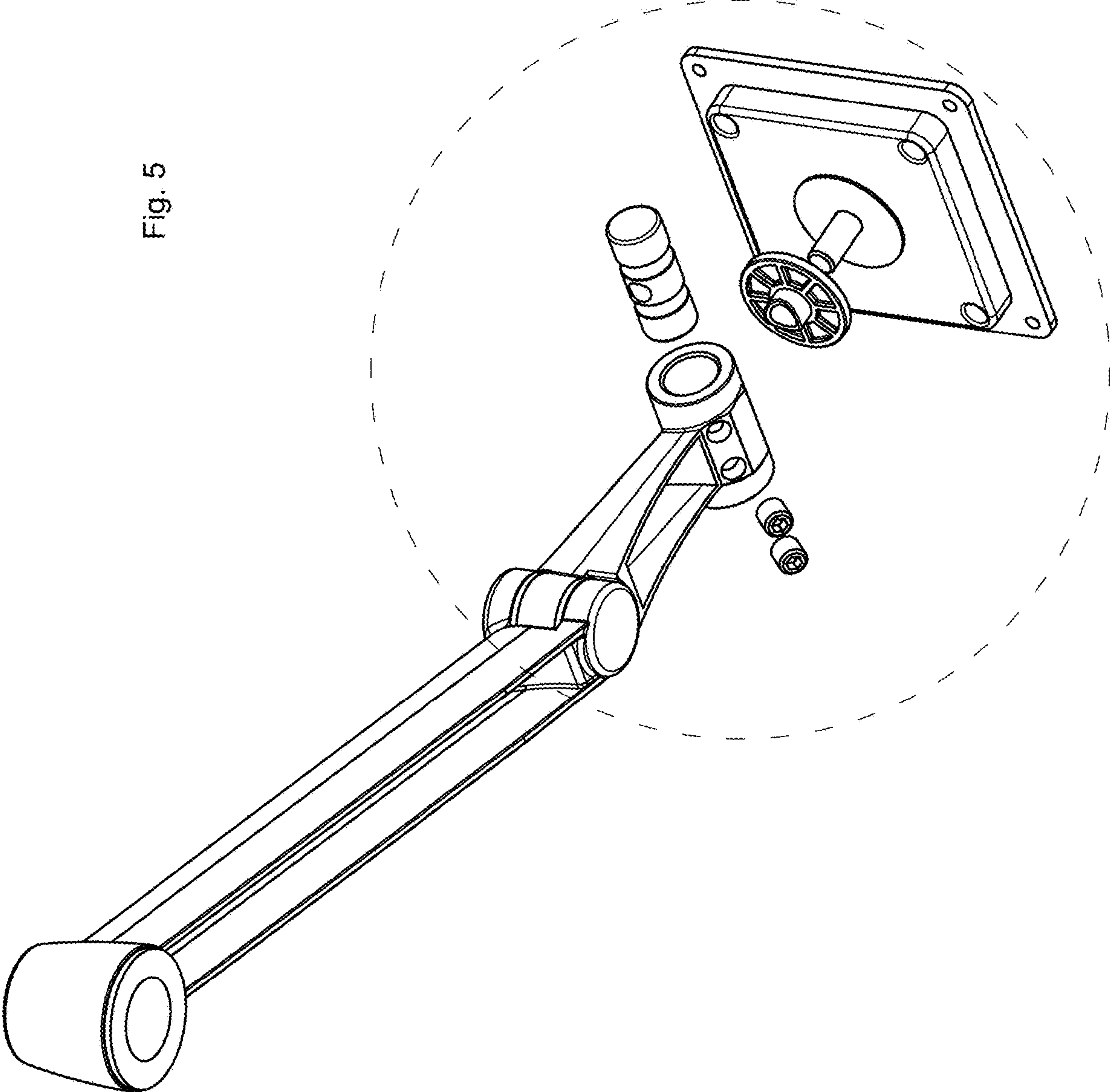


Fig. 6

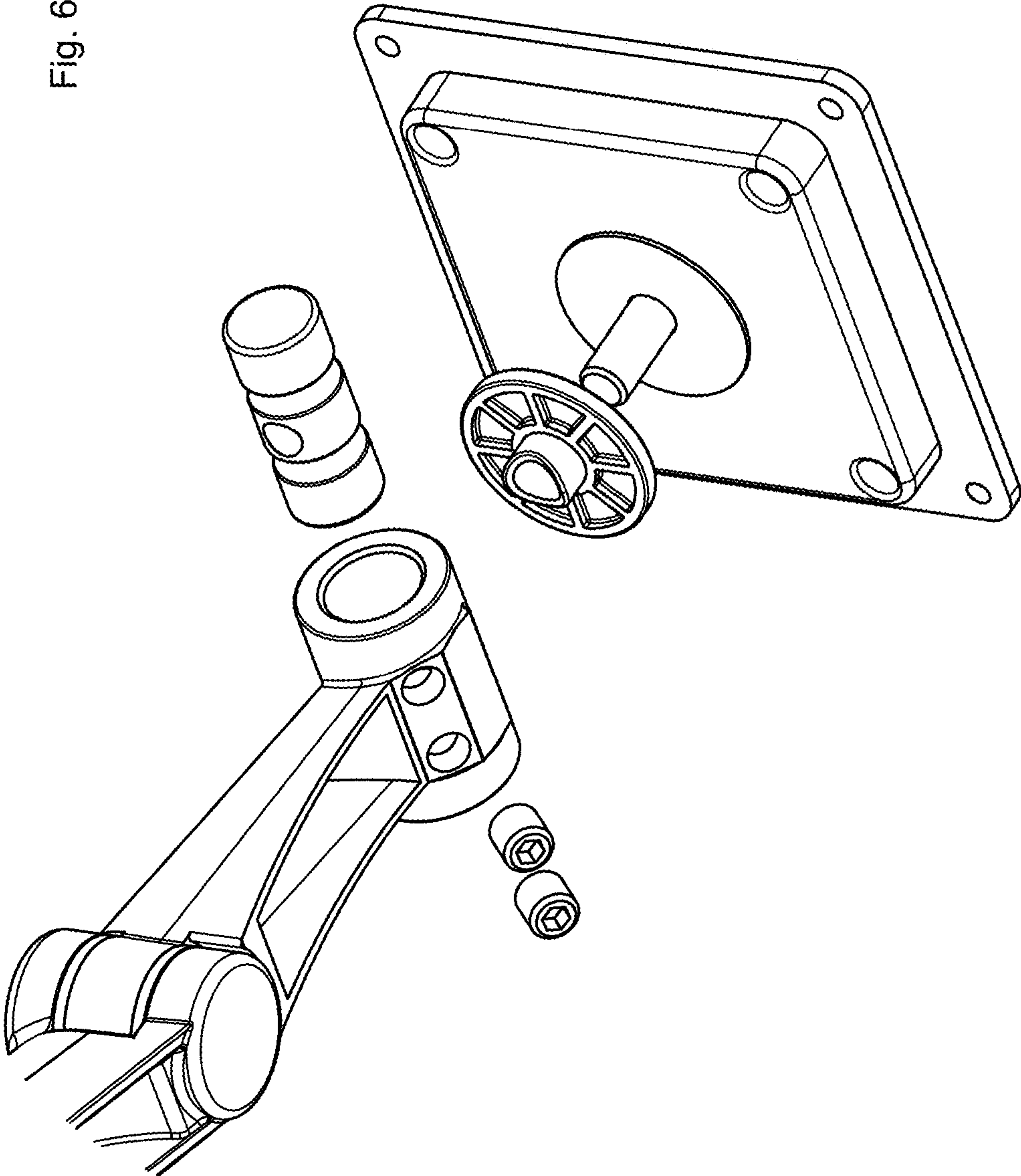


Fig. 7

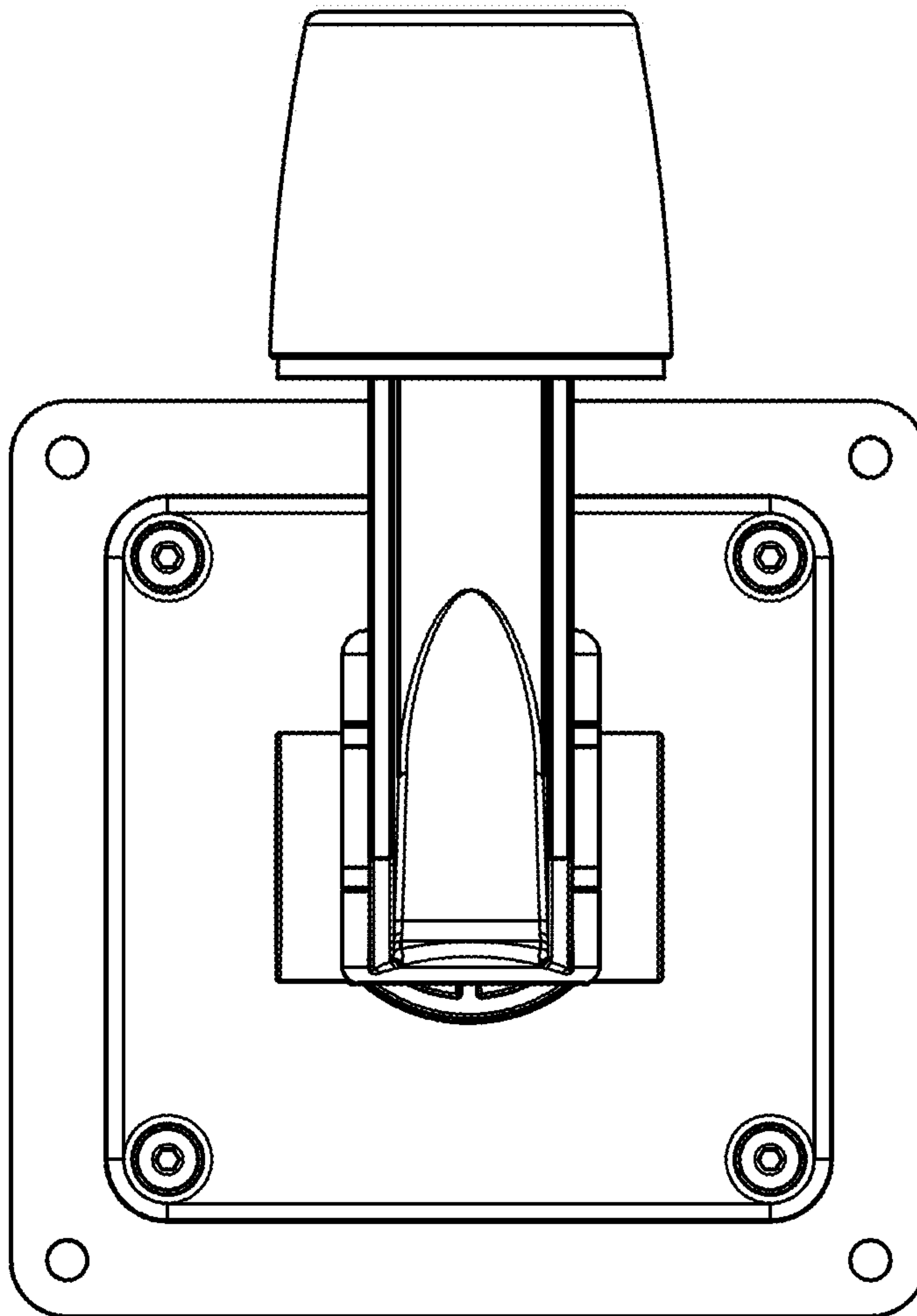
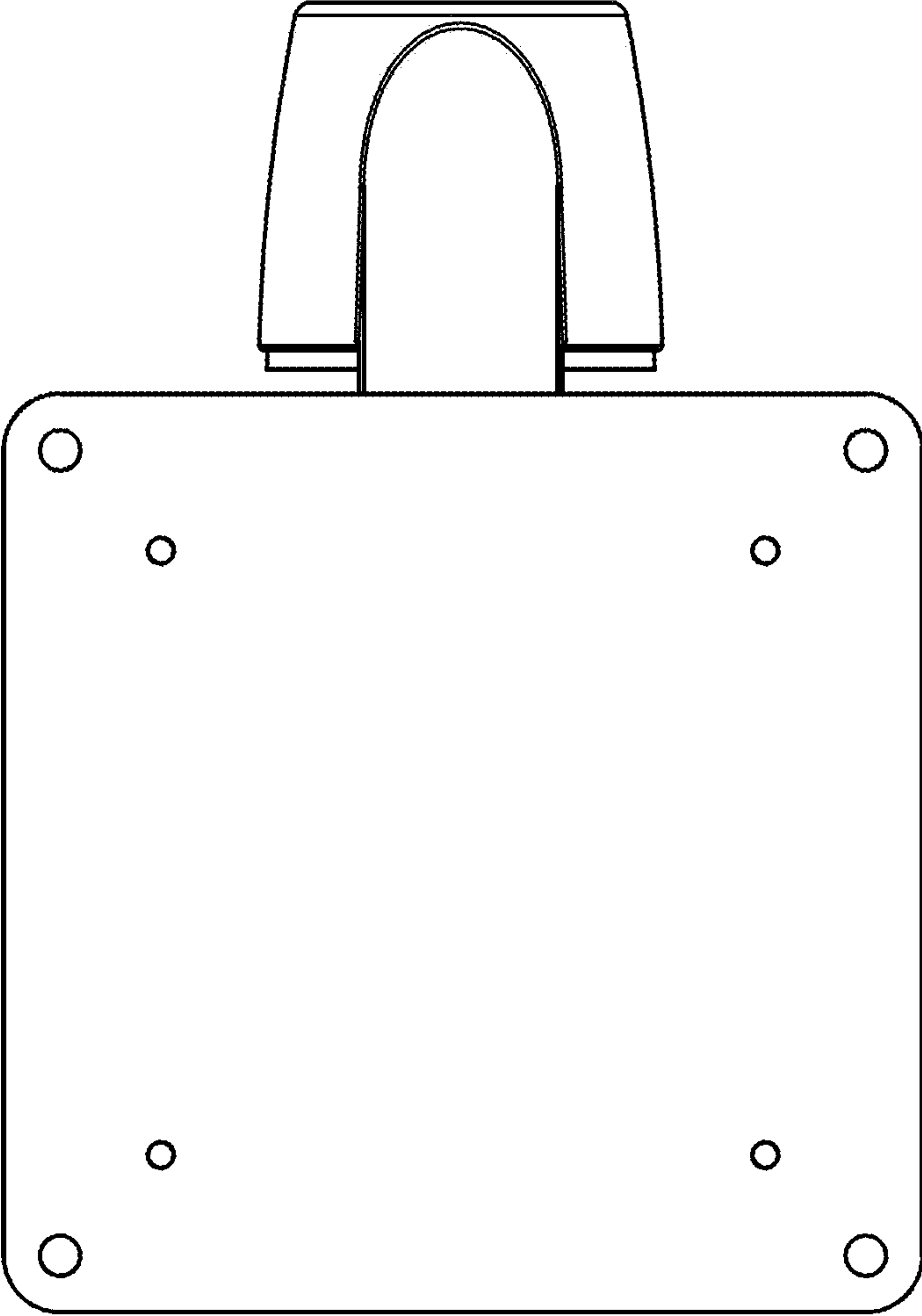


Fig. 8



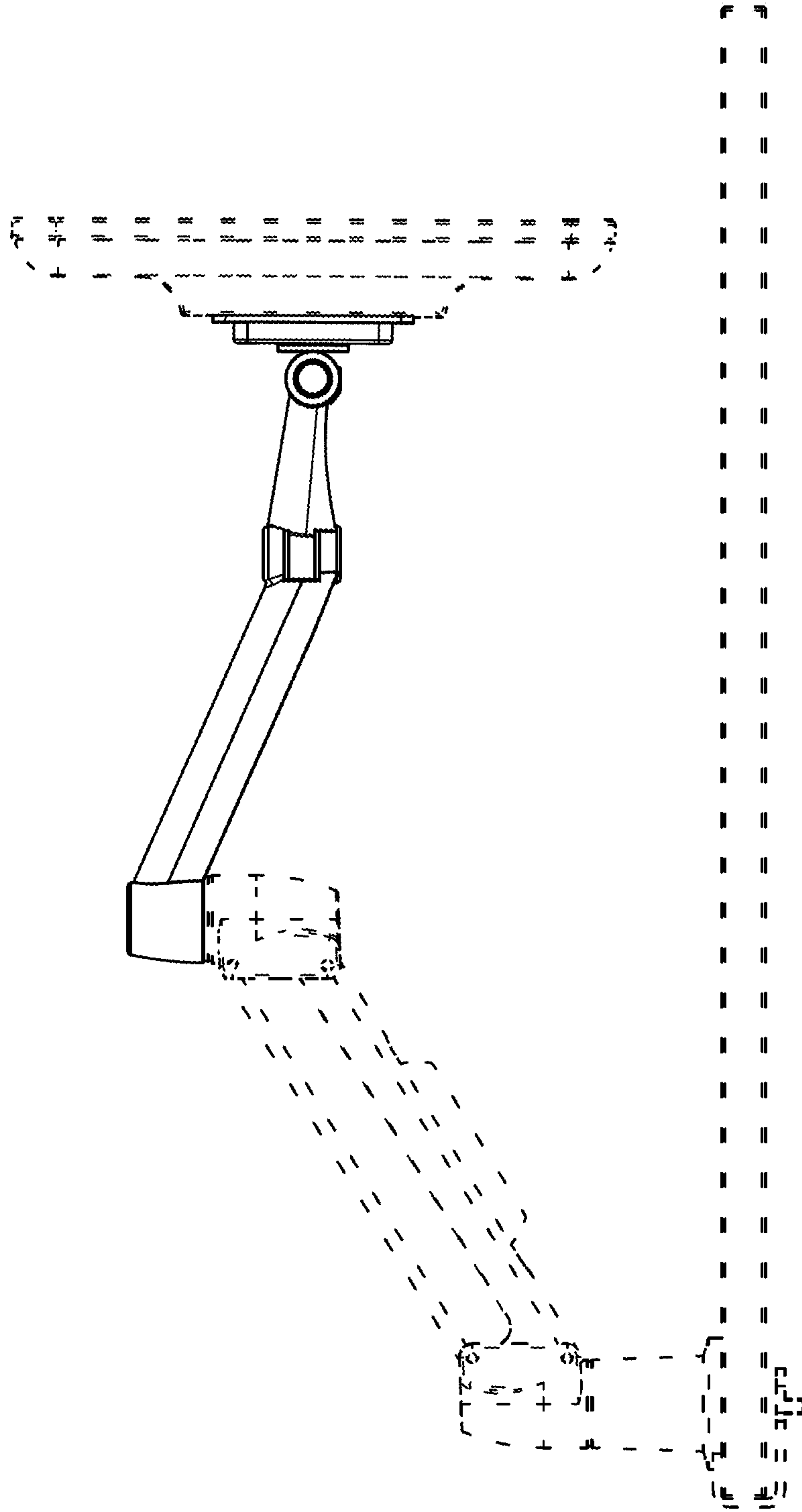


Fig. 9

Fig. 10

