



US00D896816S

(12) **United States Design Patent** (10) **Patent No.:** **US D896,816 S**
Qiu (45) **Date of Patent:** **** Sep. 22, 2020**

(54) **USB DOCKING STATION**

(71) Applicant: **Shenzhen Kai Xing Hui Technology Co., Ltd.**, Shenzhen (CN)

(72) Inventor: **Jiebin Qiu**, Shenzhen (CN)

(**) Term: **15 Years**

(21) Appl. No.: **29/701,044**

(22) Filed: **Aug. 8, 2019**

(51) **LOC (12) Cl.** **14-02**

(52) **U.S. Cl.**
USPC **D14/434**; D13/108

(58) **Field of Classification Search**
USPC D14/356, 358, 432, 434, 447, 149, 168, D14/217, 224, 224.1, 238.1, 251, 252, D14/253, 125, 126, 239, 392, 455; D13/107, 108, 146
CPC G06F 1/16; G06F 1/1626; G06F 1/1632; G06F 1/1675; G06F 1/1688; F16M 11/10; F16M 11/24; H05K 5/0234; H04M 1/04
See application file for complete search history.

(56) **References Cited**

U.S. PATENT DOCUMENTS

| | | | | |
|--------------|---------|---------|-------|------------|
| D345,356 S * | 3/1994 | Ando | | D14/138 AB |
| D504,875 S * | 5/2005 | Yokota | | D14/125 |
| D529,823 S * | 10/2006 | Tien | | D10/2 |
| D666,144 S * | 8/2012 | Brand | | D13/103 |
| D666,614 S * | 9/2012 | Ding | | D14/253 |
| D685,366 S * | 7/2013 | Ding | | D14/253 |
| D687,037 S * | 7/2013 | Zhou | | D14/434 |
| D758,377 S * | 6/2016 | Warren | | D14/457 |
| D760,227 S * | 6/2016 | Warren | | D14/392 |
| D772,812 S * | 11/2016 | Choe | | D13/108 |
| D842,851 S * | 3/2019 | Leitman | | D14/253 |
| D875,677 S * | 2/2020 | Shi | | D13/108 |
| D883,924 S * | 5/2020 | Chen | | D13/108 |

OTHER PUBLICATIONS

Zoeview Qi Fast Ultra-thin Foldable Wireless Charger Unboxing & Review, YouTube online, post date Jul. 21, 2018, URL: https://www.youtube.com/watch?v=Jz6AV_bvjgQ, retrieved Jul. 19, 2020.*
Tylt Fold | Wireless Charging Pad & Stand, YouTube online, post date Mar. 2, 2018, URL: <https://www.youtube.com/watch?v=9yvPunViPFQ>, retrieved Jul. 19, 2020.*

* cited by examiner

Primary Examiner — Jeffrey D Asch
Assistant Examiner — Rebekah A Caruso
(74) *Attorney, Agent, or Firm* — HYIP

(57) **CLAIM**

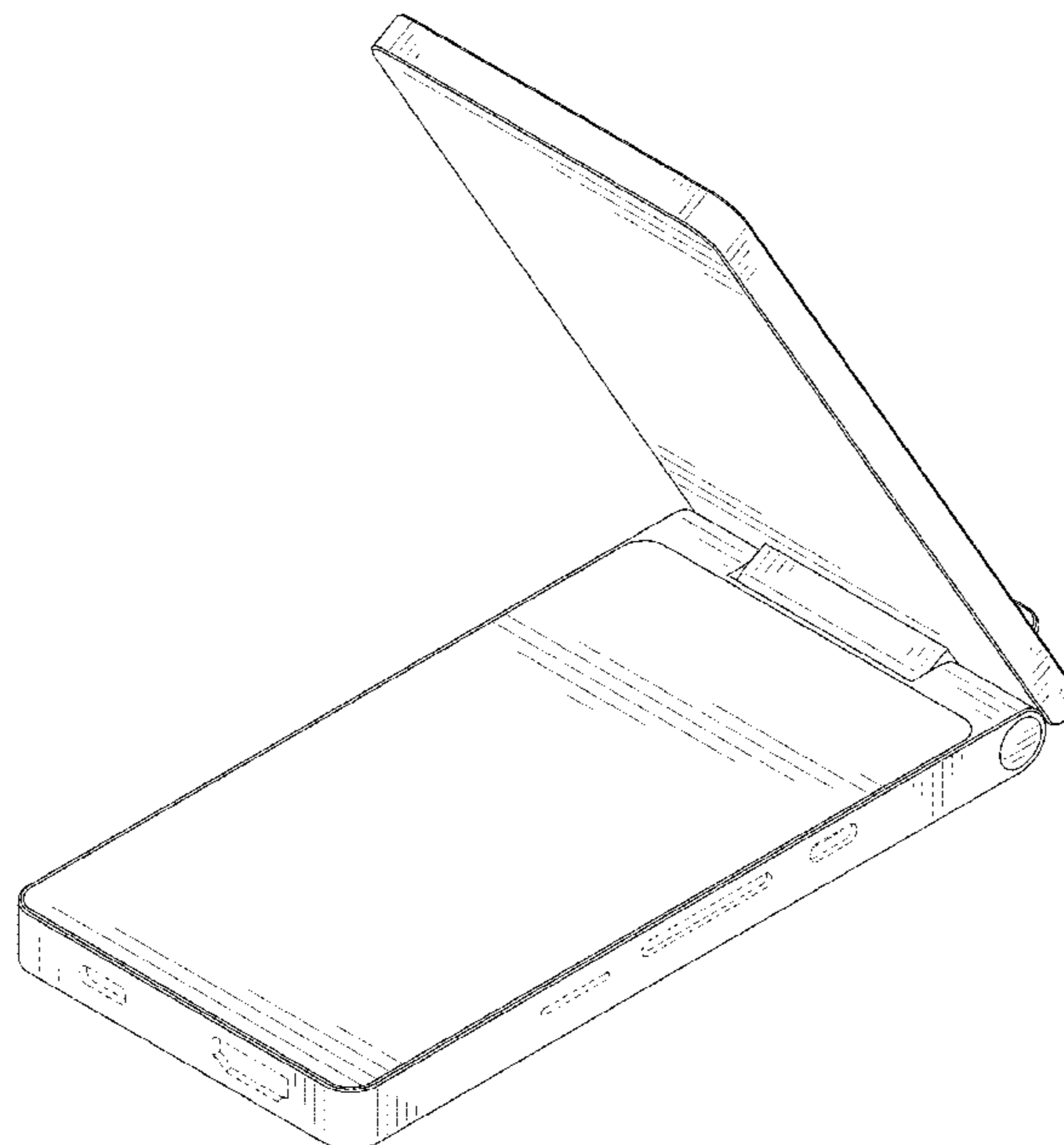
The ornamental design for a USB docking station, as shown and described.

DESCRIPTION

FIG. 1 is a first perspective view of a USB docking station showing my design;
FIG. 2 is a second perspective view thereof;
FIG. 3 is a third perspective view thereof;
FIG. 4 is a front view thereof;
FIG. 5 is a back view thereof;
FIG. 6 is a left side view thereof;
FIG. 7 is a right side view thereof;
FIG. 8 is a top view thereof;
FIG. 9 is a bottom view thereof;
FIG. 10 is a perspective view of another state of the USB docking station thereof; and,
FIG. 11 is an enlarged view of the selected portion in FIG. 2.

The broken lines shown in the drawings depict portions of the USB docking station in which the design is embodied that form no part of the claimed design.

1 Claim, 11 Drawing Sheets



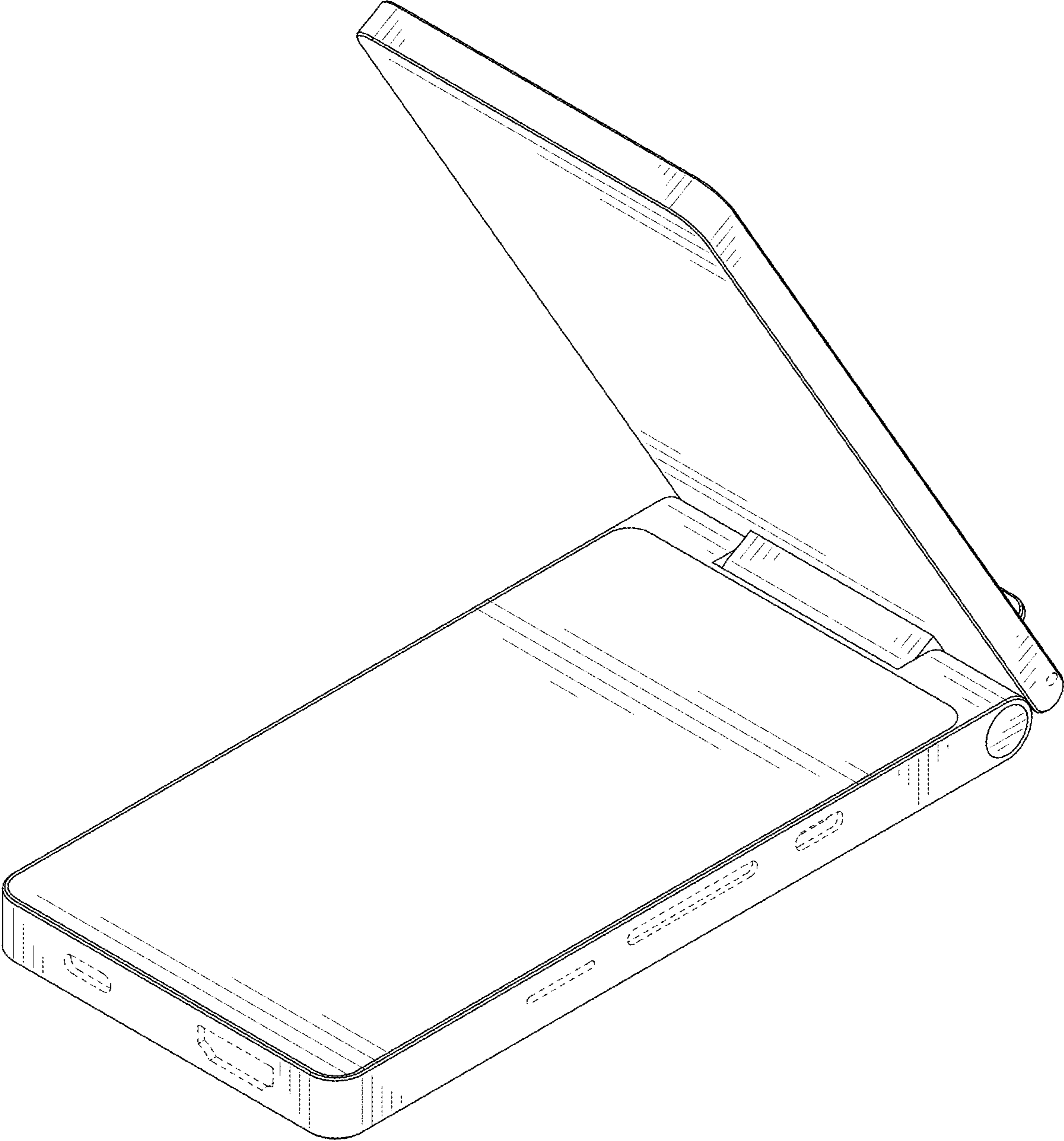


FIG. 1

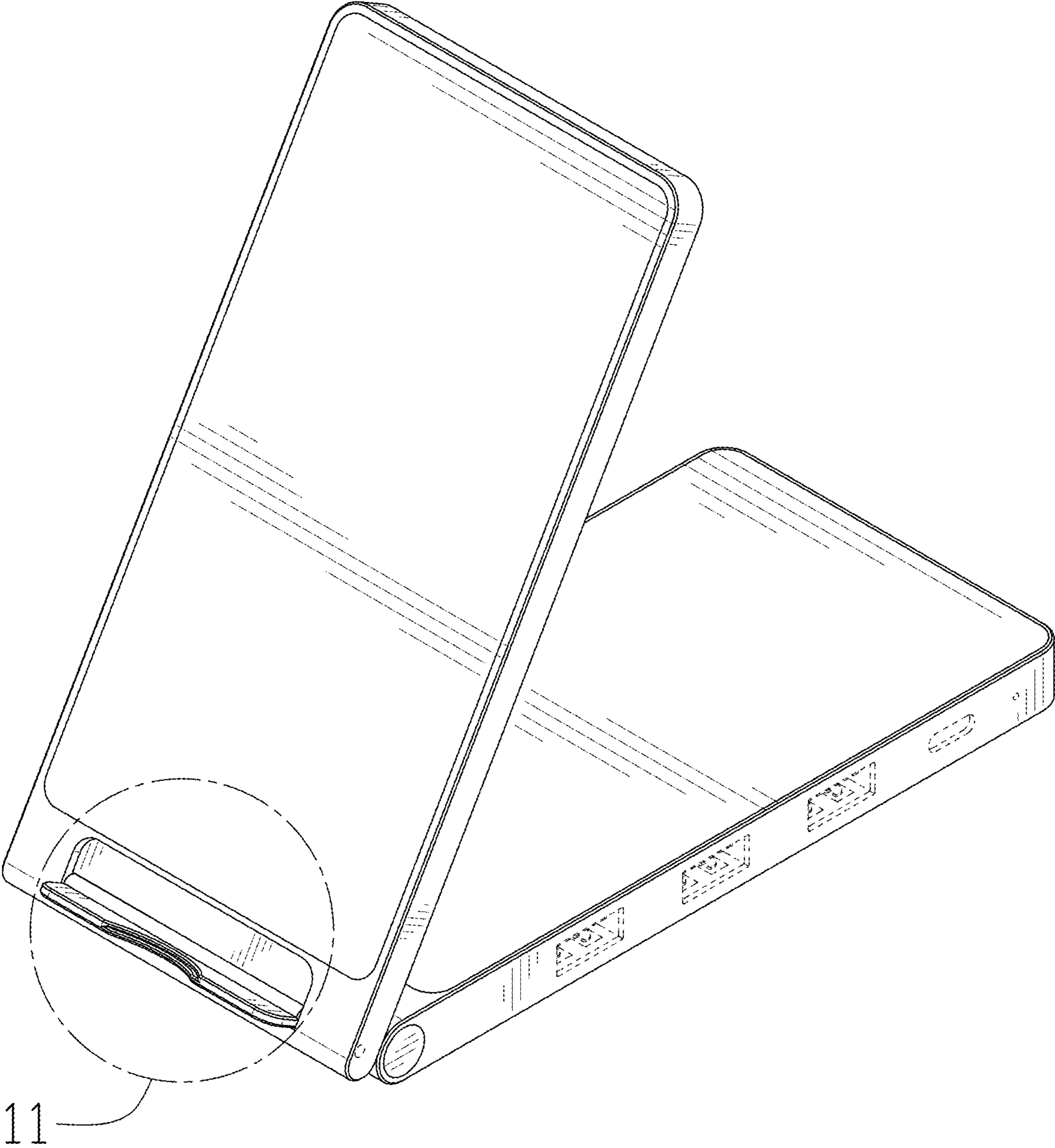


FIG. 2

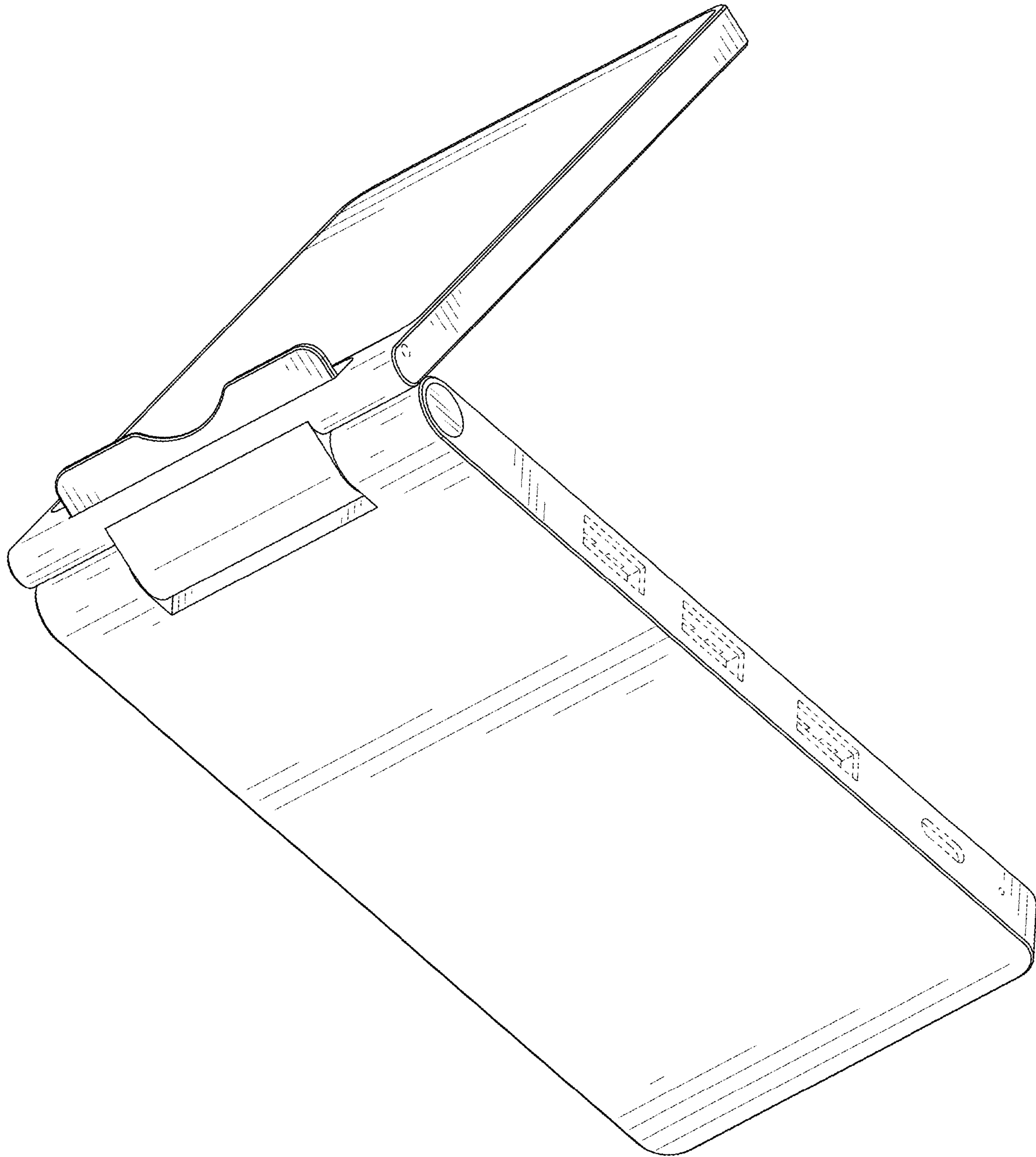


FIG. 3

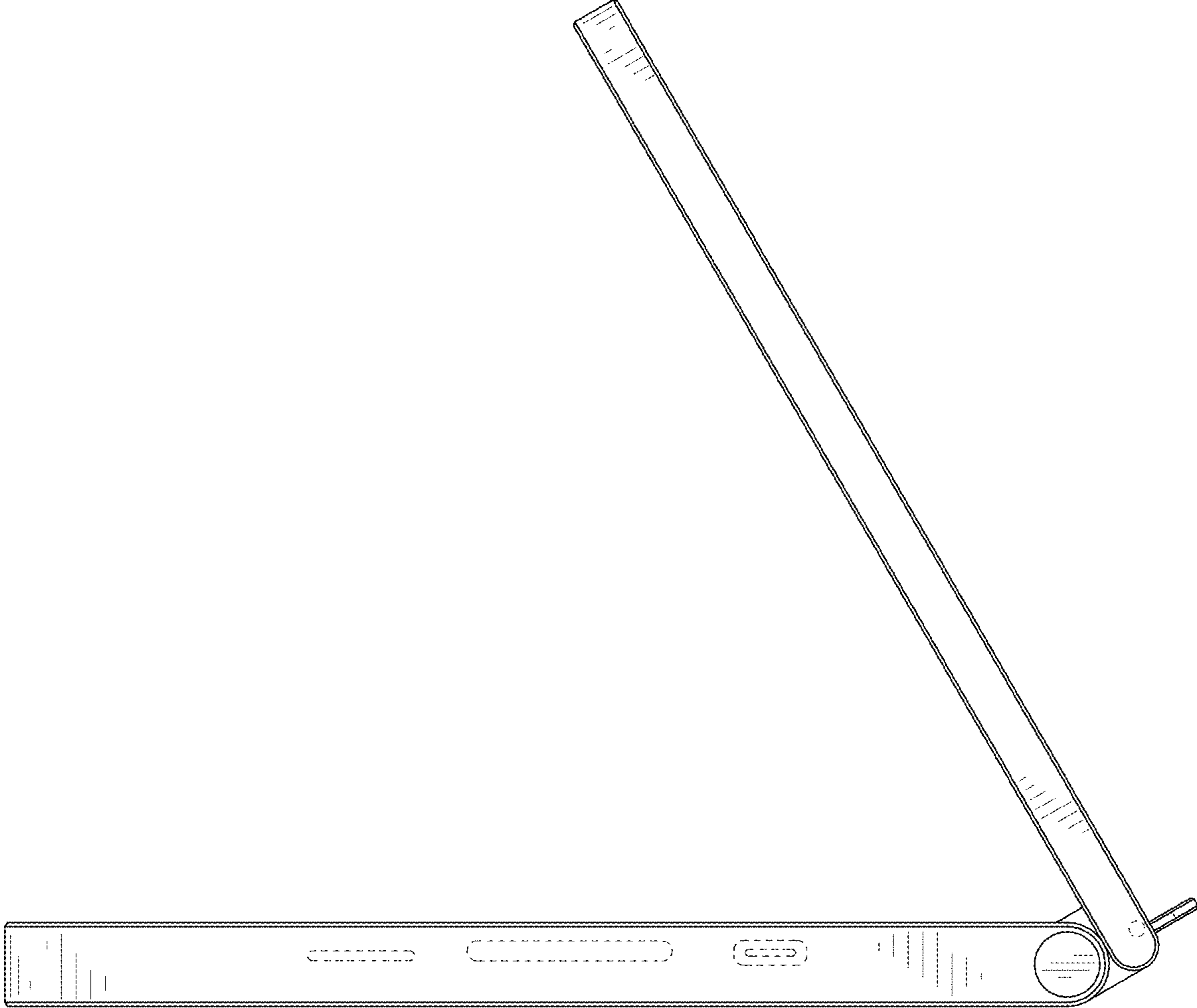


FIG. 4

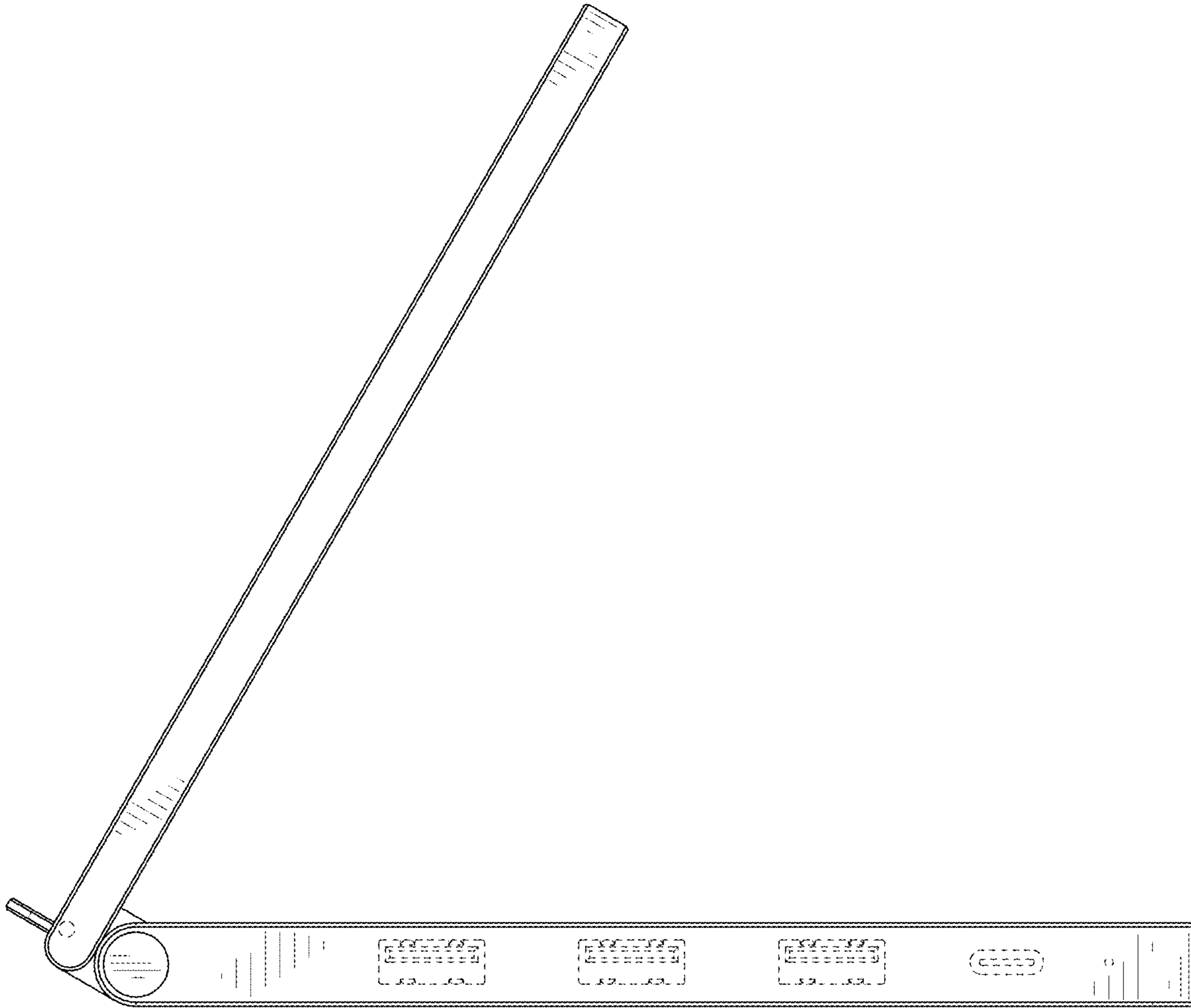


FIG. 5

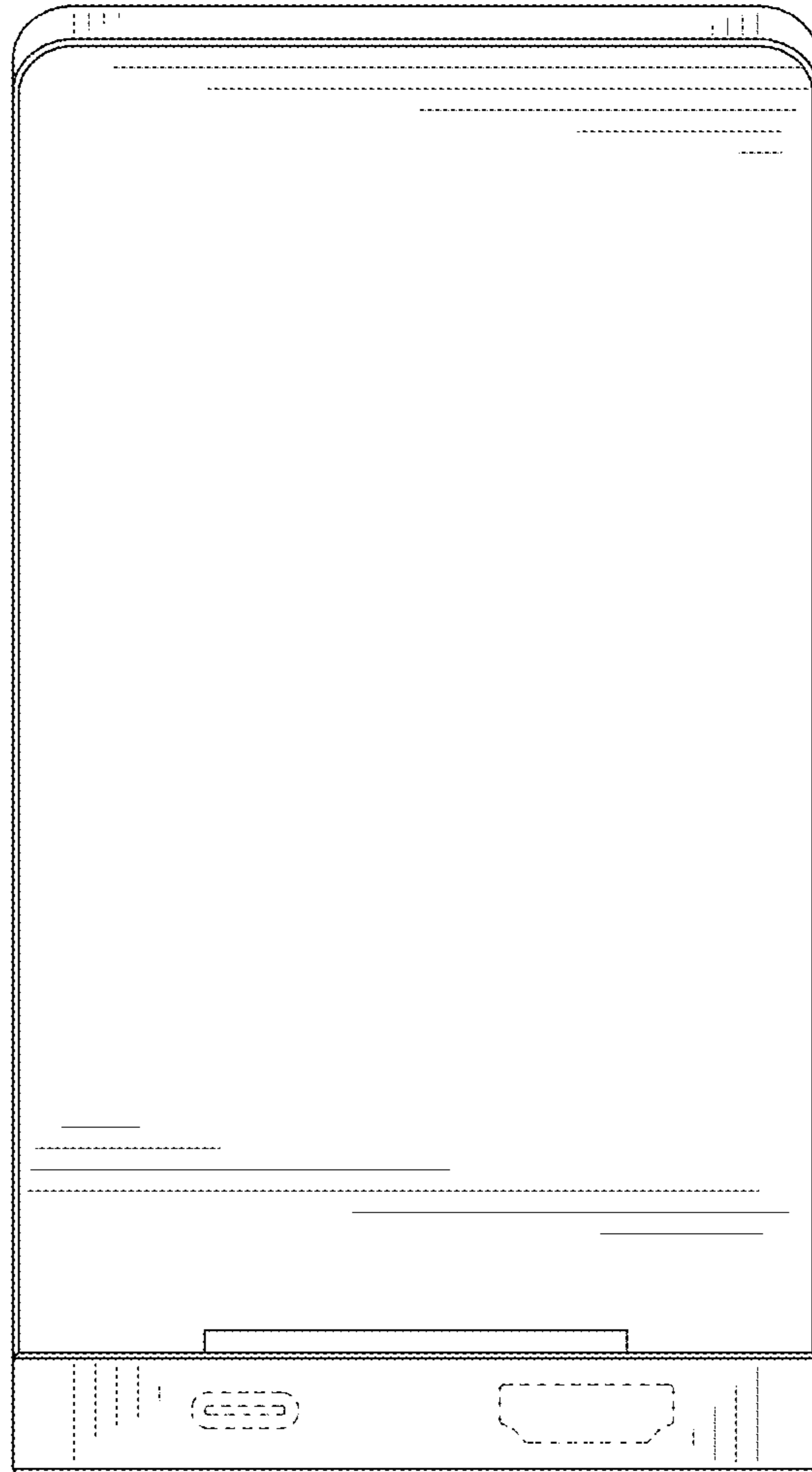


FIG. 6

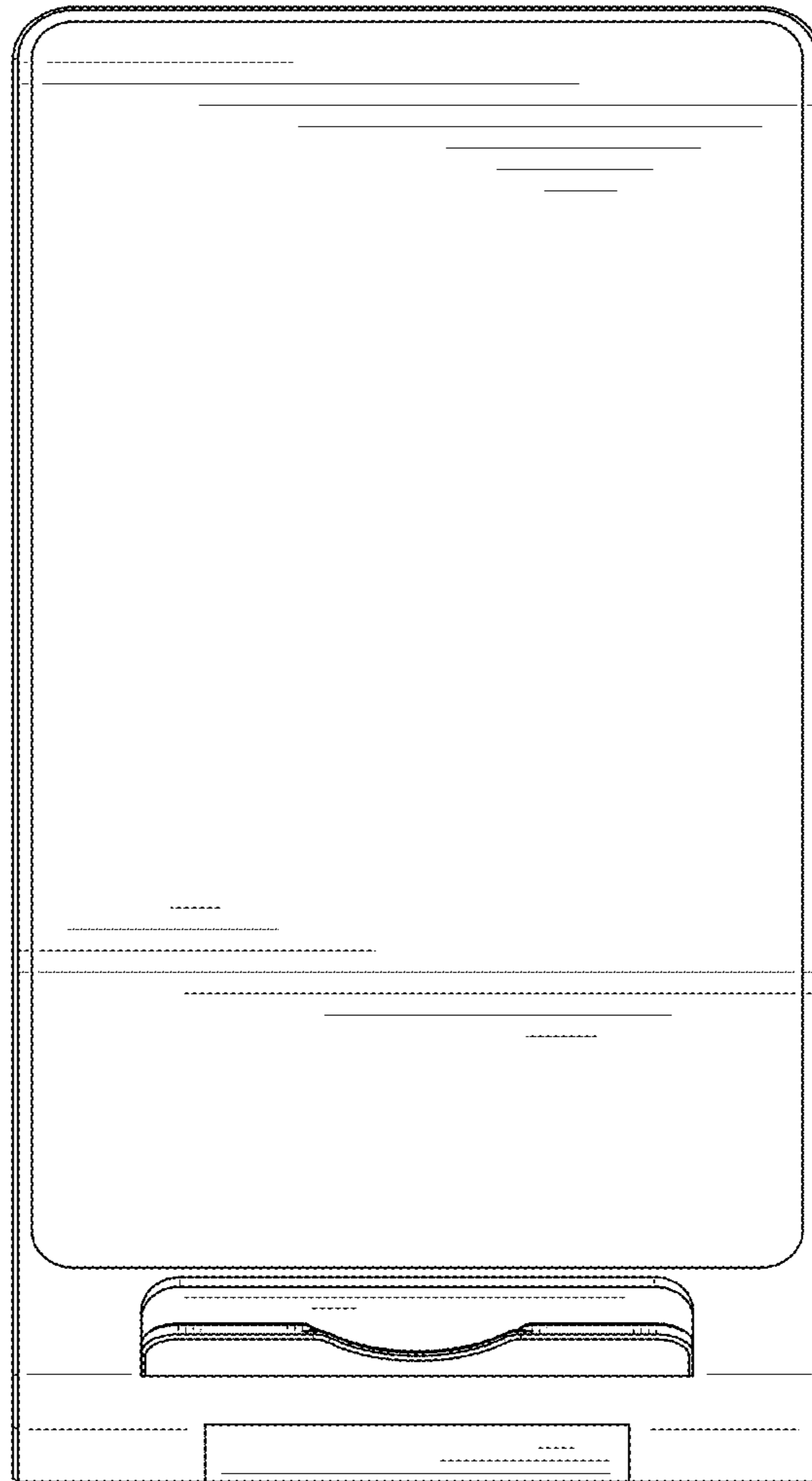


FIG. 7

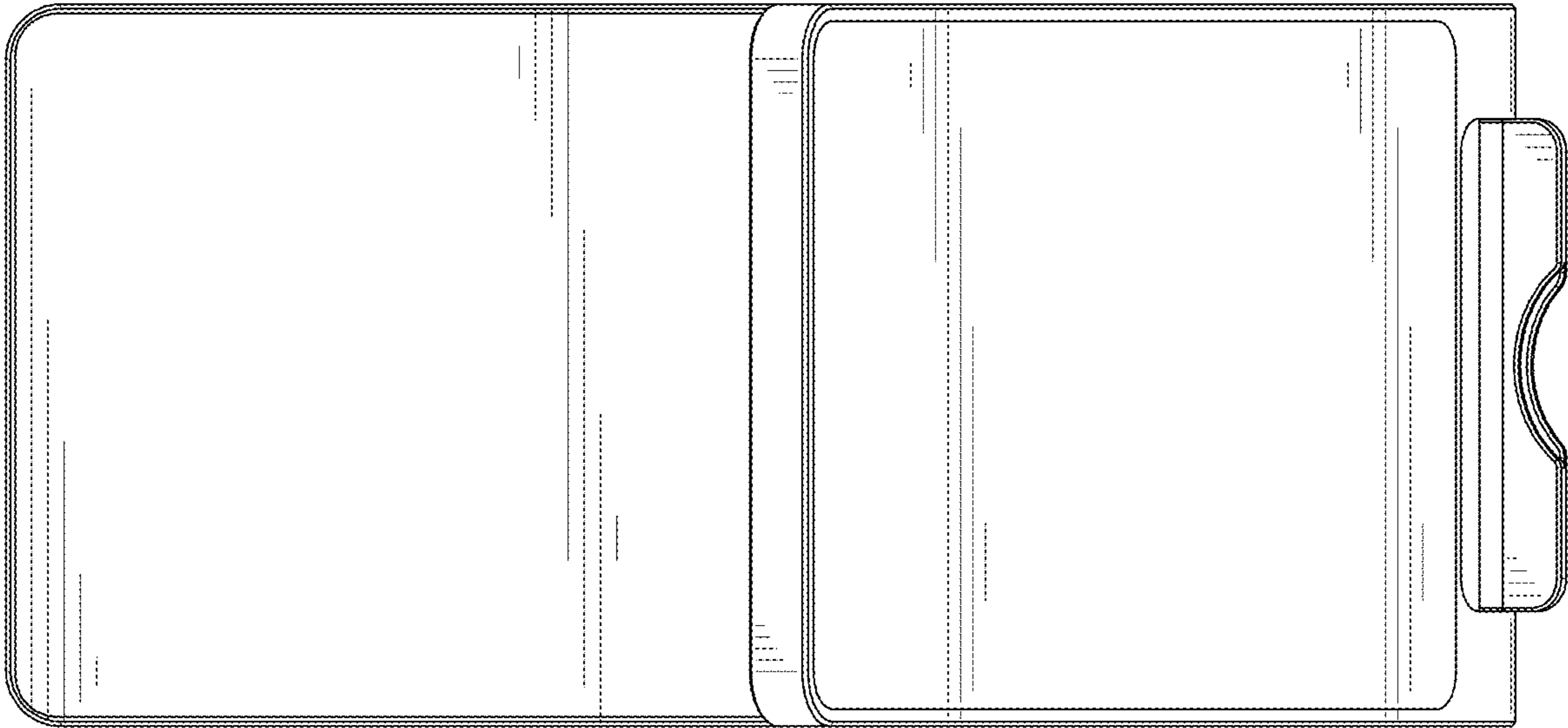


FIG. 8

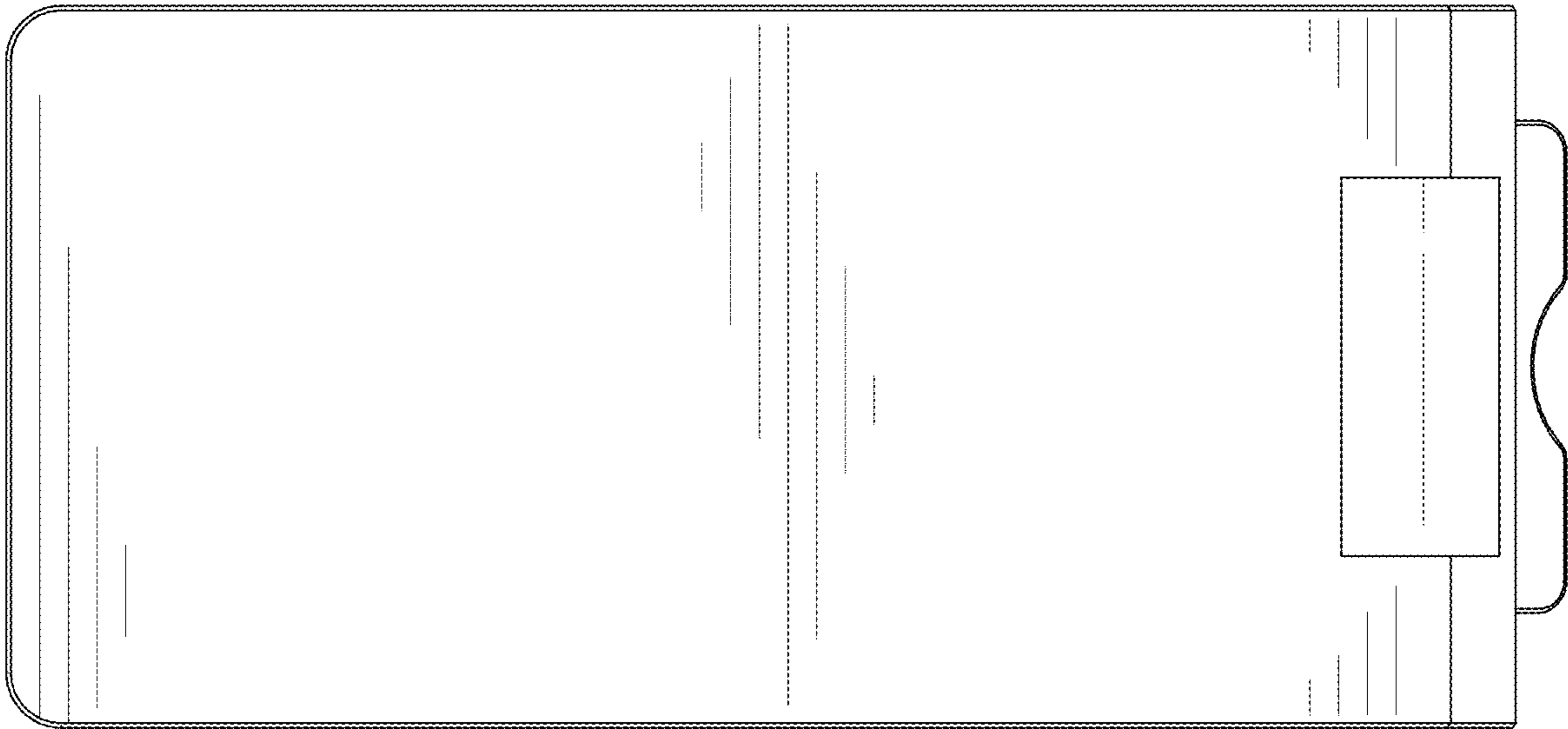


FIG. 9

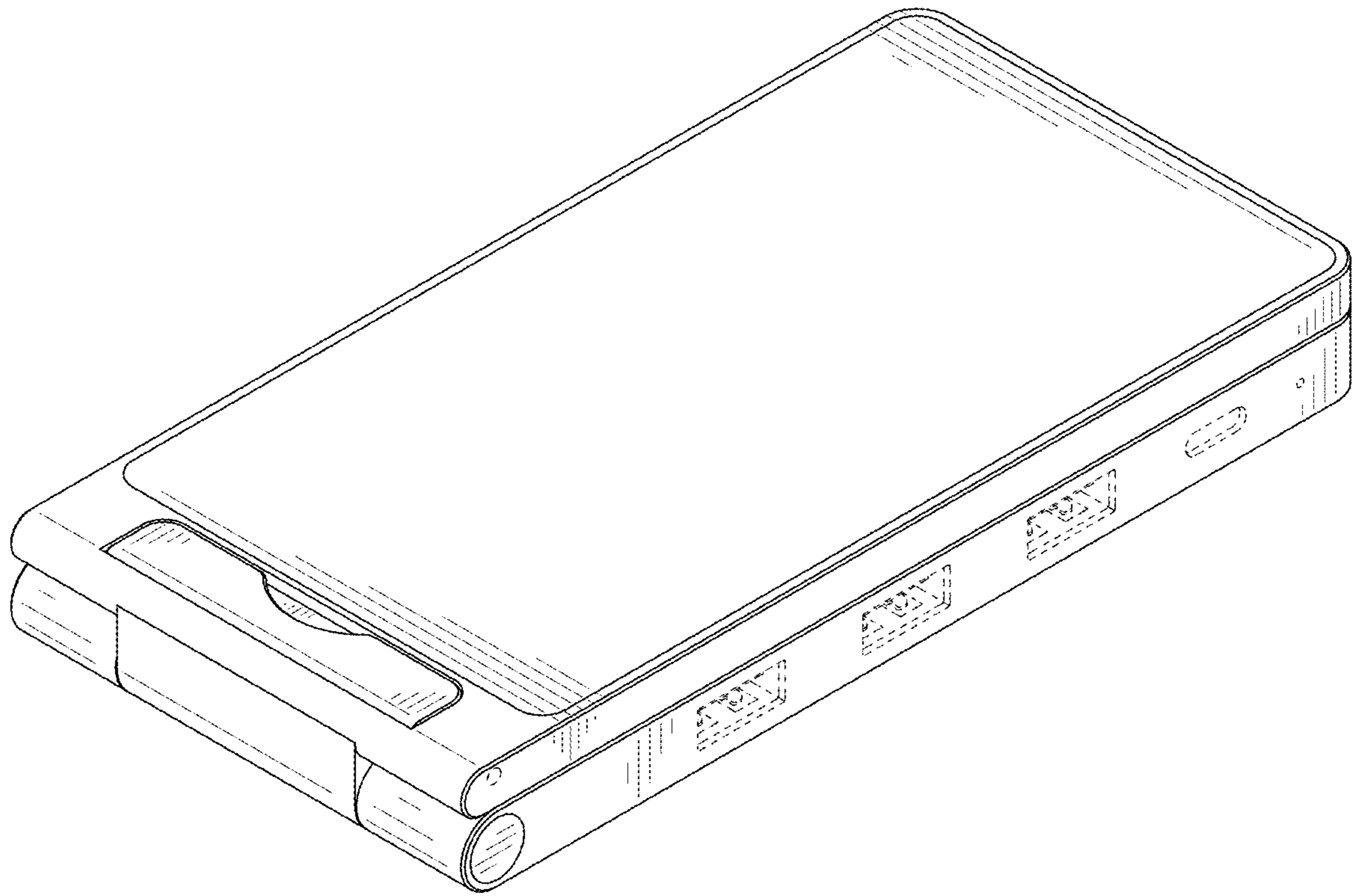


FIG. 10

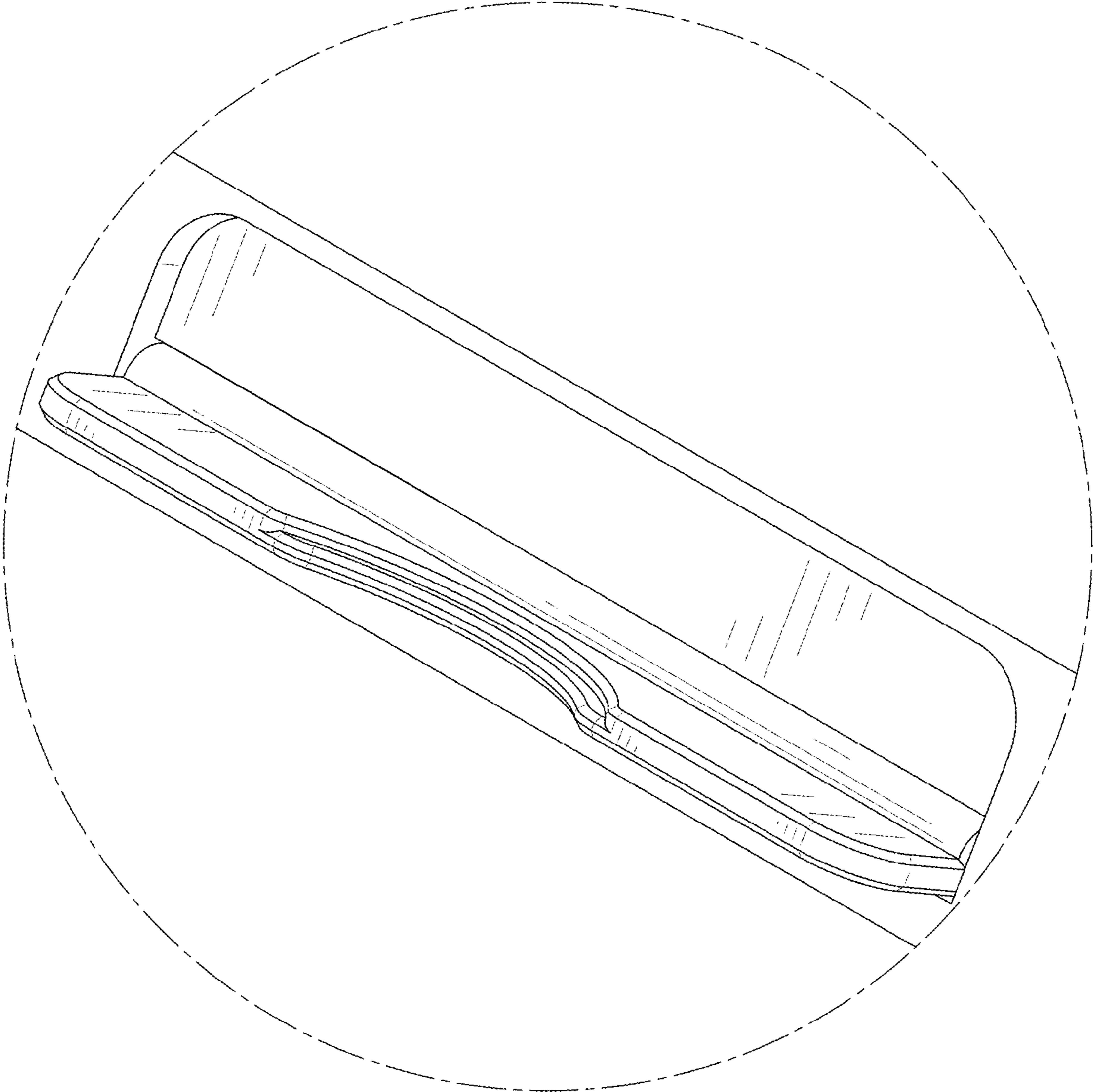


FIG. 11