



US00D896815S

(12) **United States Design Patent**
Liu et al.

(10) **Patent No.:** **US D896,815 S**

(45) **Date of Patent:** **** Sep. 22, 2020**

(54) **DOCKING STATION VIDEO SHARER**

D782,466 S * 3/2017 Yopez D14/307
D815,097 S * 4/2018 Magi D14/434
D849,833 S * 5/2019 Eun D18/12
10,452,108 B2 * 10/2019 Magi G06F 1/1632

(71) Applicant: **Shenzhen Xfanic Technology Co., Ltd.**, Shenzhen (CN)

FOREIGN PATENT DOCUMENTS

(72) Inventors: **Xiangping Liu**, Shenzhen (CN);
Liangcai Xia, Shenzhen (CN); **Zhifeng Li**, Shenzhen (CN); **Linjiang Liu**, Shenzhen (CN); **Guochun Jin**, Shenzhen (CN)

CN 304727183 * 7/2018
CN 305317330 * 8/2019
EM 005442506-0008 * 7/2018
EM 005802519-0004 * 10/2018

(**) Term: **15 Years**

OTHER PUBLICATIONS

(21) Appl. No.: **29/691,908**

XFanic USB-C KVM Dock With Scaler and Titan audio dock, YouTube online, post date Oct. 11, 2019, URL: <https://www.youtube.com/watch?v=ci1SH8nJywo>, retrieved Jul. 14, 2020.*

(22) Filed: **May 21, 2019**

(51) **LOC (12) Cl.** **14-02**

(52) **U.S. Cl.**
USPC **D14/434**; D14/125

* cited by examiner

(58) **Field of Classification Search**
USPC D14/356, 358, 432, 434, 447, 149, 168,
D14/217, 224, 224.1, 238.1, 251, 252,
D14/253, 125, 126, 239, 392, 455;
D13/107, 108, 146

Primary Examiner — Jeffrey D Asch
Assistant Examiner — Rebekah A Caruso
(74) *Attorney, Agent, or Firm* — ZANIP

CPC G06F 1/16; G06F 1/1626; G06F 1/1632;
G06F 1/1675; G06F 1/1688; F16M 11/10;
F16M 11/24; H05K 5/0234; H04M 1/04

(57) **CLAIM**

The ornamental design for a docking station video sharer, as shown and described.

See application file for complete search history.

DESCRIPTION

(56) **References Cited**

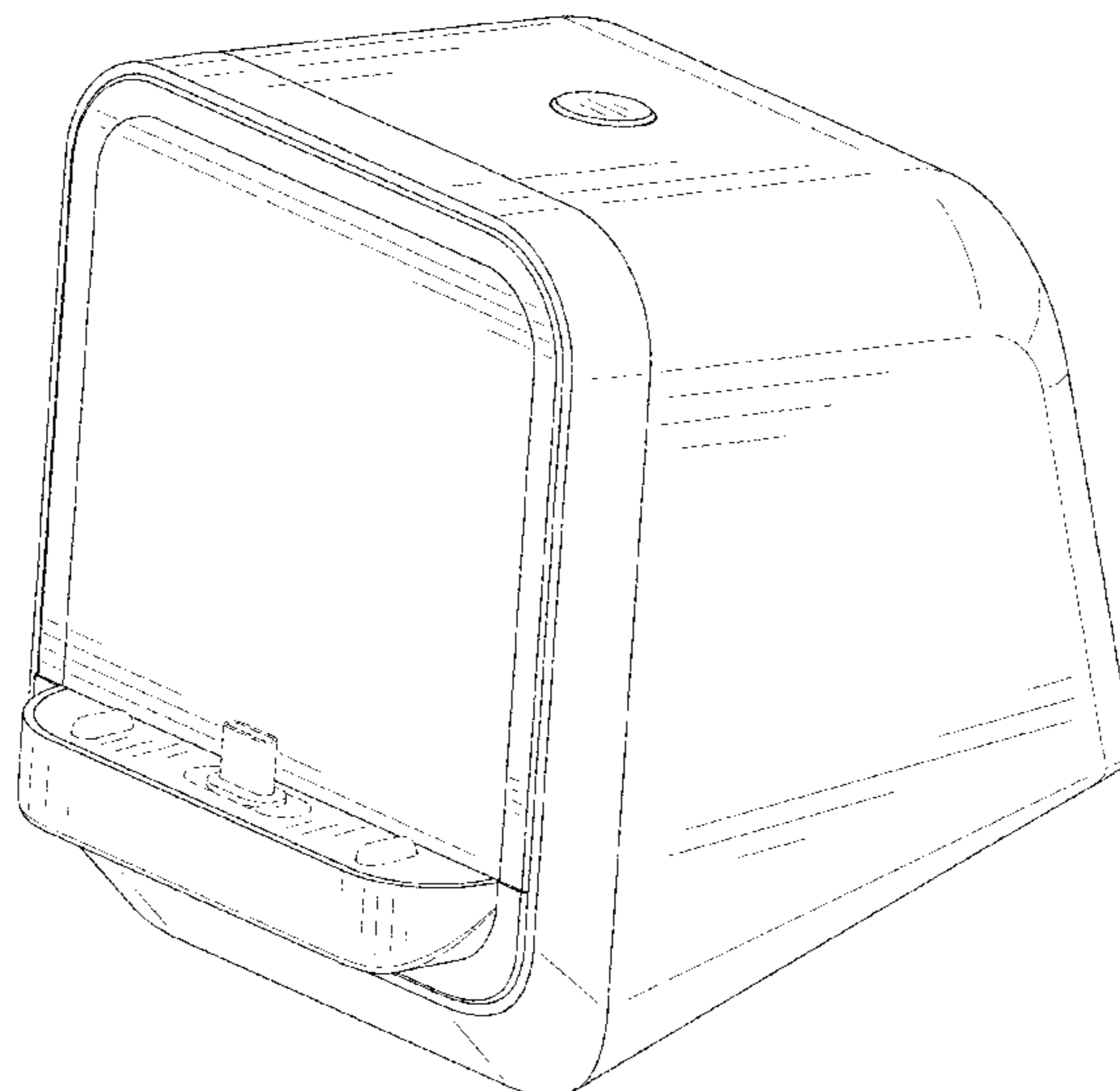
U.S. PATENT DOCUMENTS

6,711,014 B2 * 3/2004 Anzai G06F 1/18
165/80.3
D644,645 S * 9/2011 Huang D14/434
D680,491 S * 4/2013 Paschke D13/108
D693,815 S * 11/2013 Son D14/434
D727,329 S * 4/2015 Johnson D14/434
D756,913 S * 5/2016 Esses D13/107
D760,316 S * 6/2016 Kim D18/50
D774,488 S * 12/2016 Magi D14/204
D776,119 S * 1/2017 Plante G06F 1/1632
D14/434

FIG. 1 is a first perspective view of a docking station video sharer showing my design;
FIG. 2 is a second perspective view thereof;
FIG. 3 is a front view thereof;
FIG. 4 is a back view thereof;
FIG. 5 is a left side view thereof;
FIG. 6 is a right side view thereof;
FIG. 7 is a top view thereof; and,
FIG. 8 is a bottom view thereof.

The broken lines shown in the drawings depict portions of the docking station video sharer in which the design is embodied that form no part of the claimed design.

1 Claim, 8 Drawing Sheets



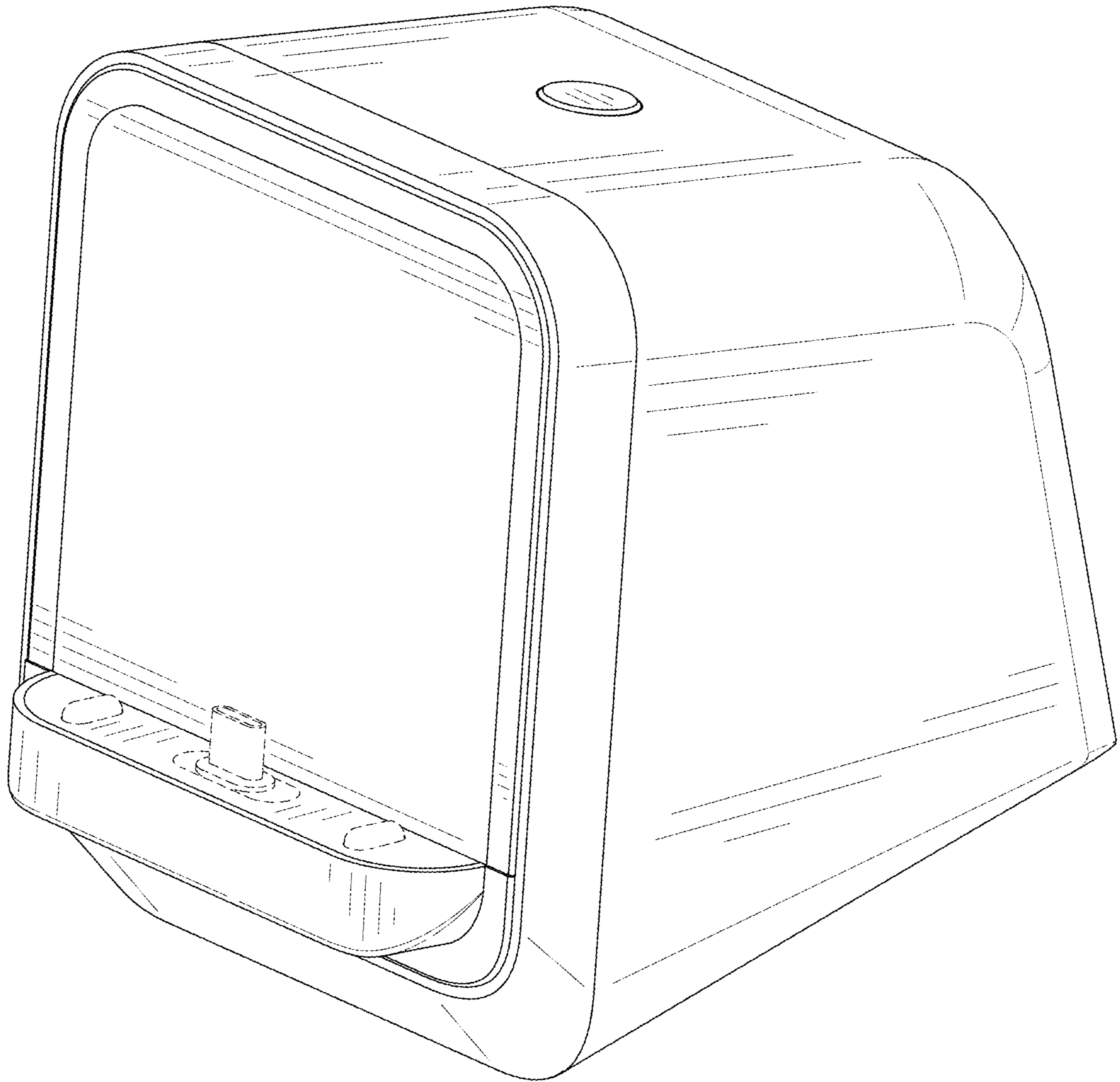


FIG. 1

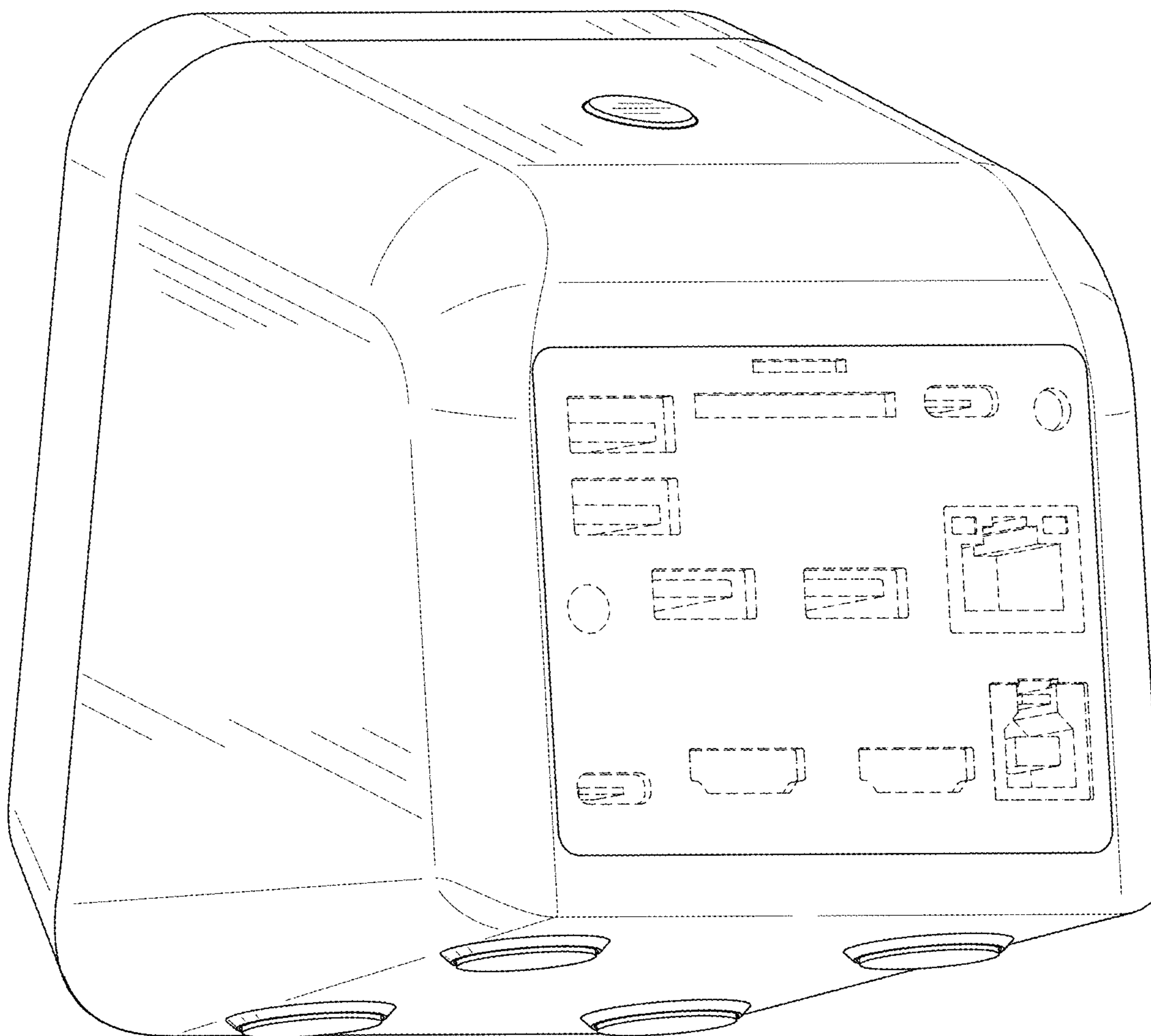


FIG. 2

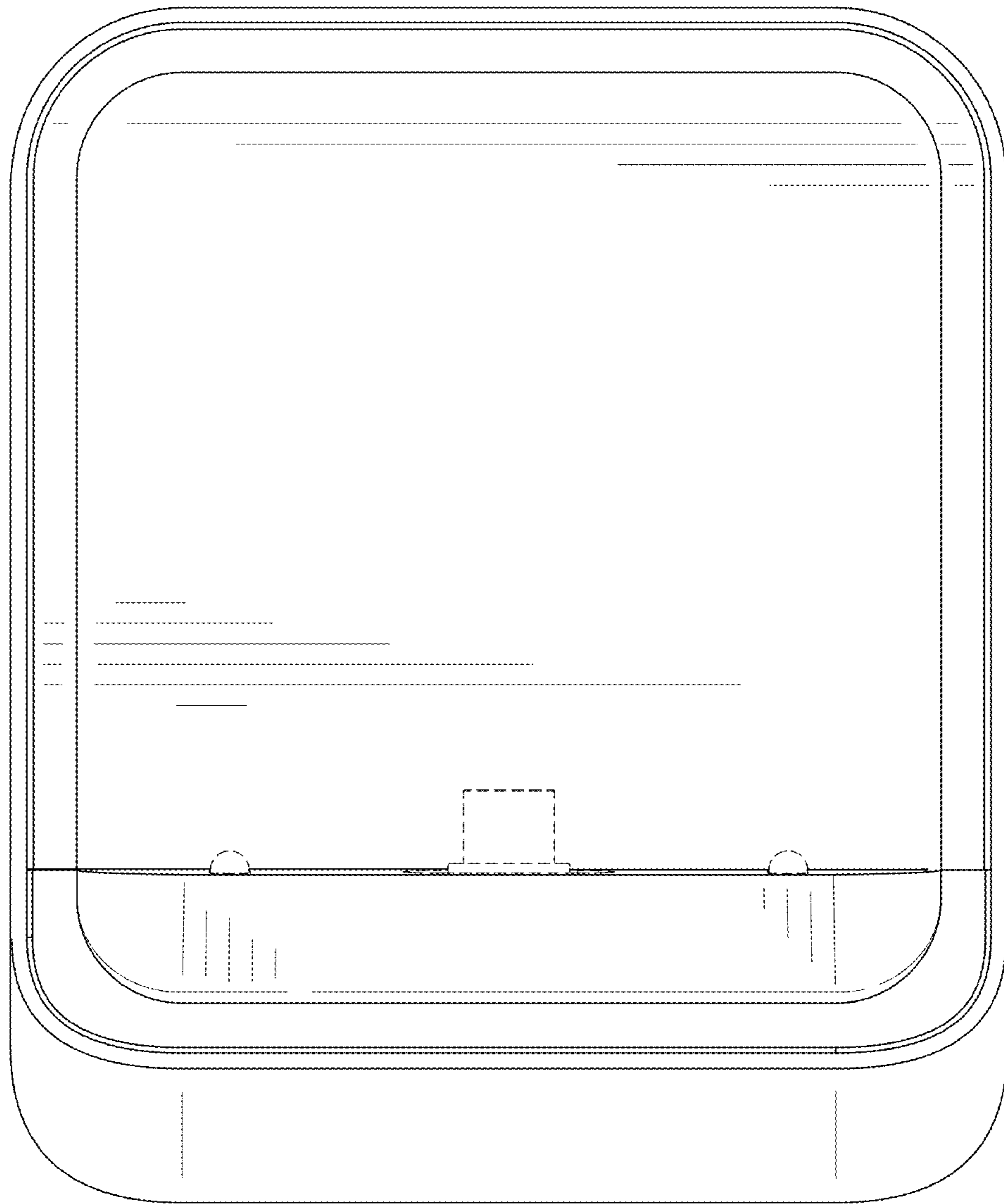


FIG. 3

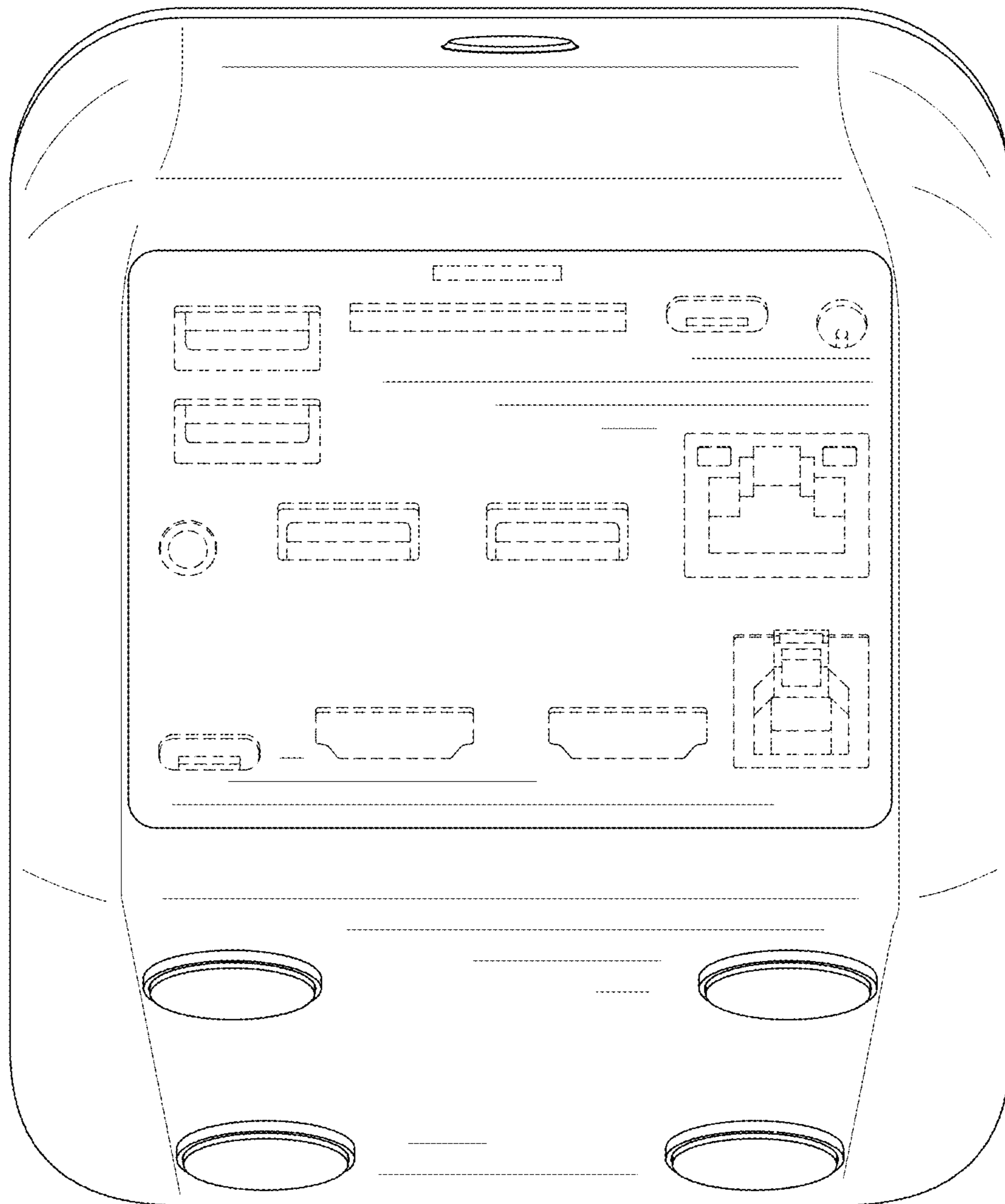


FIG. 4

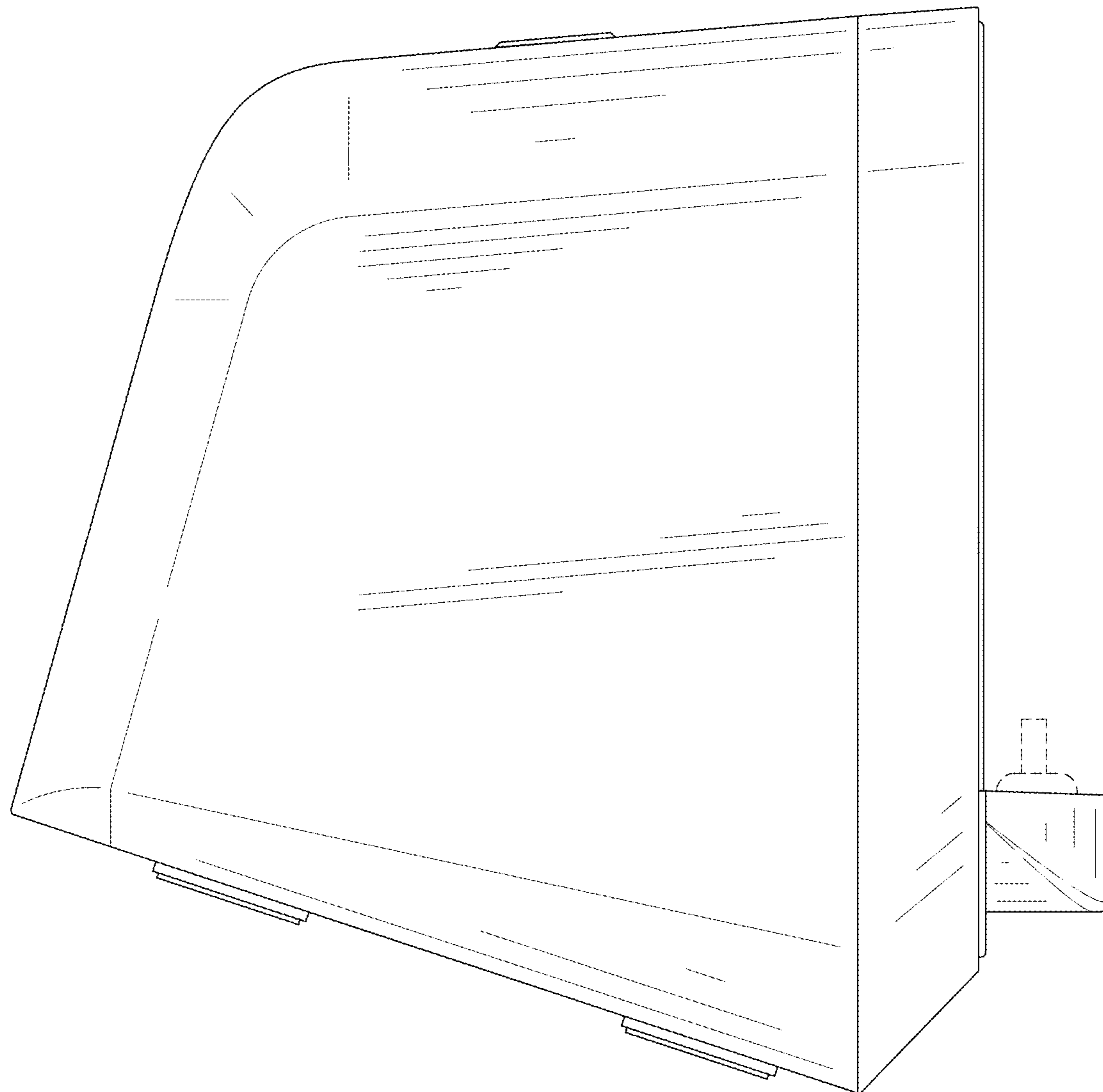


FIG. 5

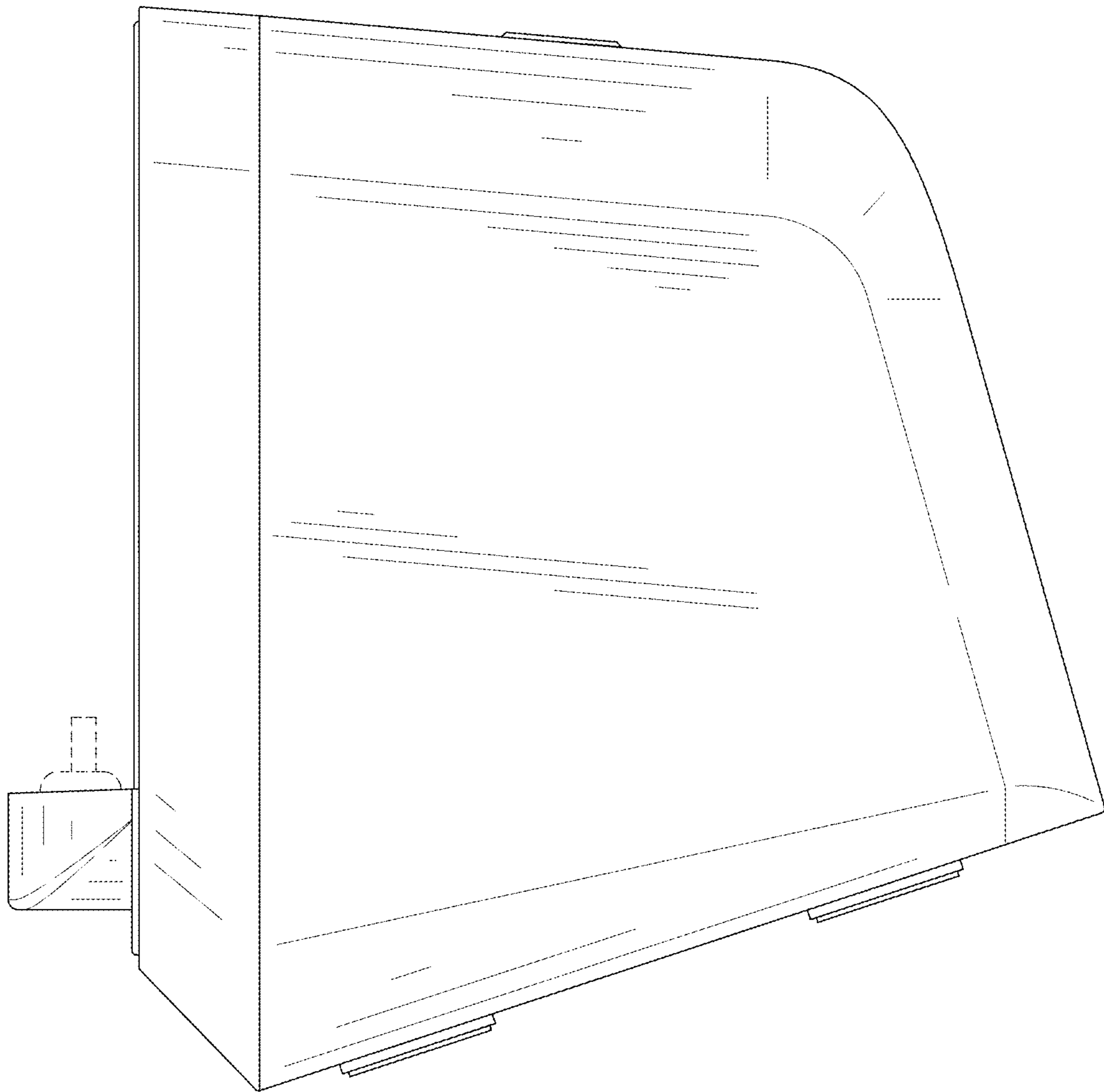


FIG. 6

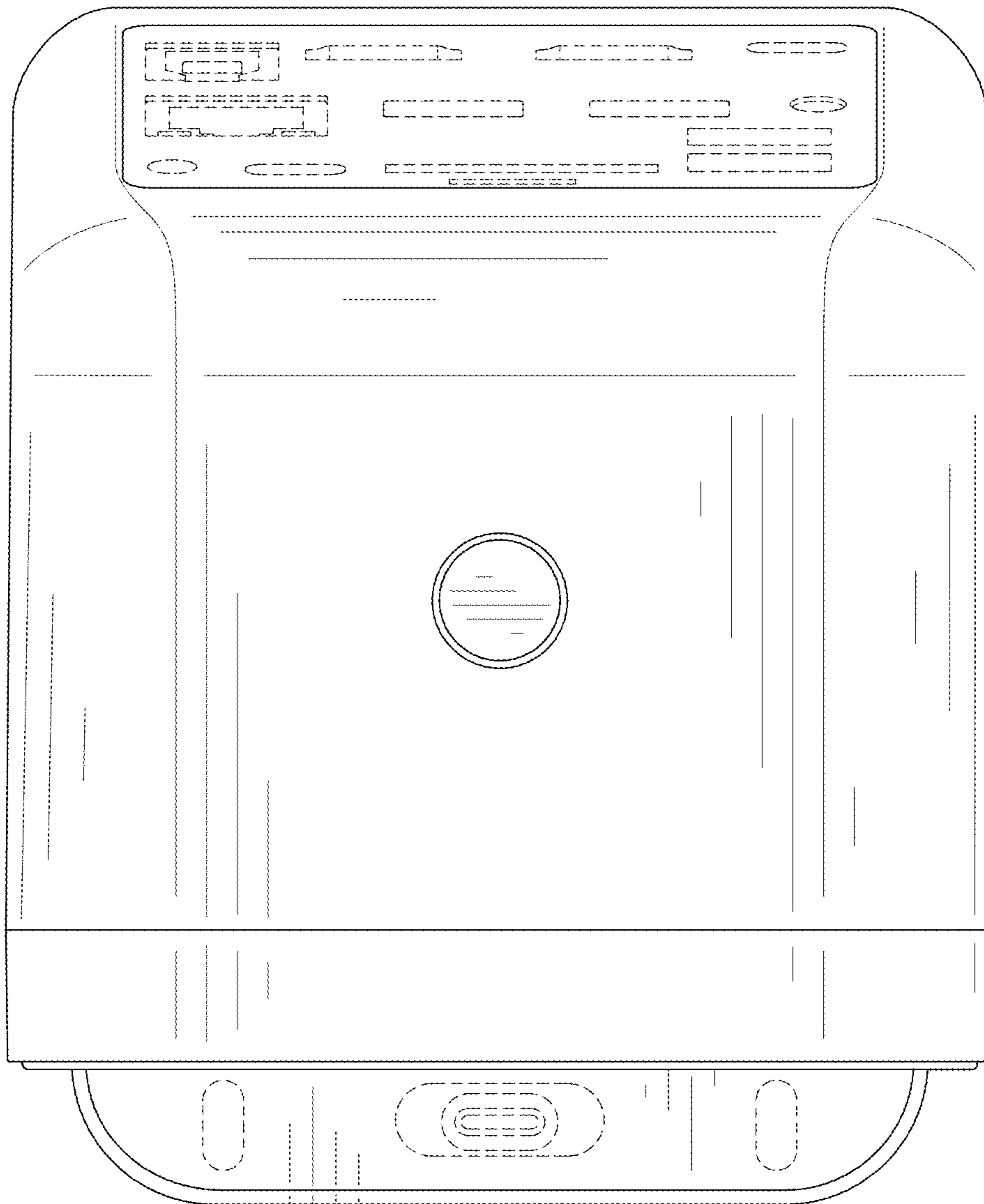


FIG. 7

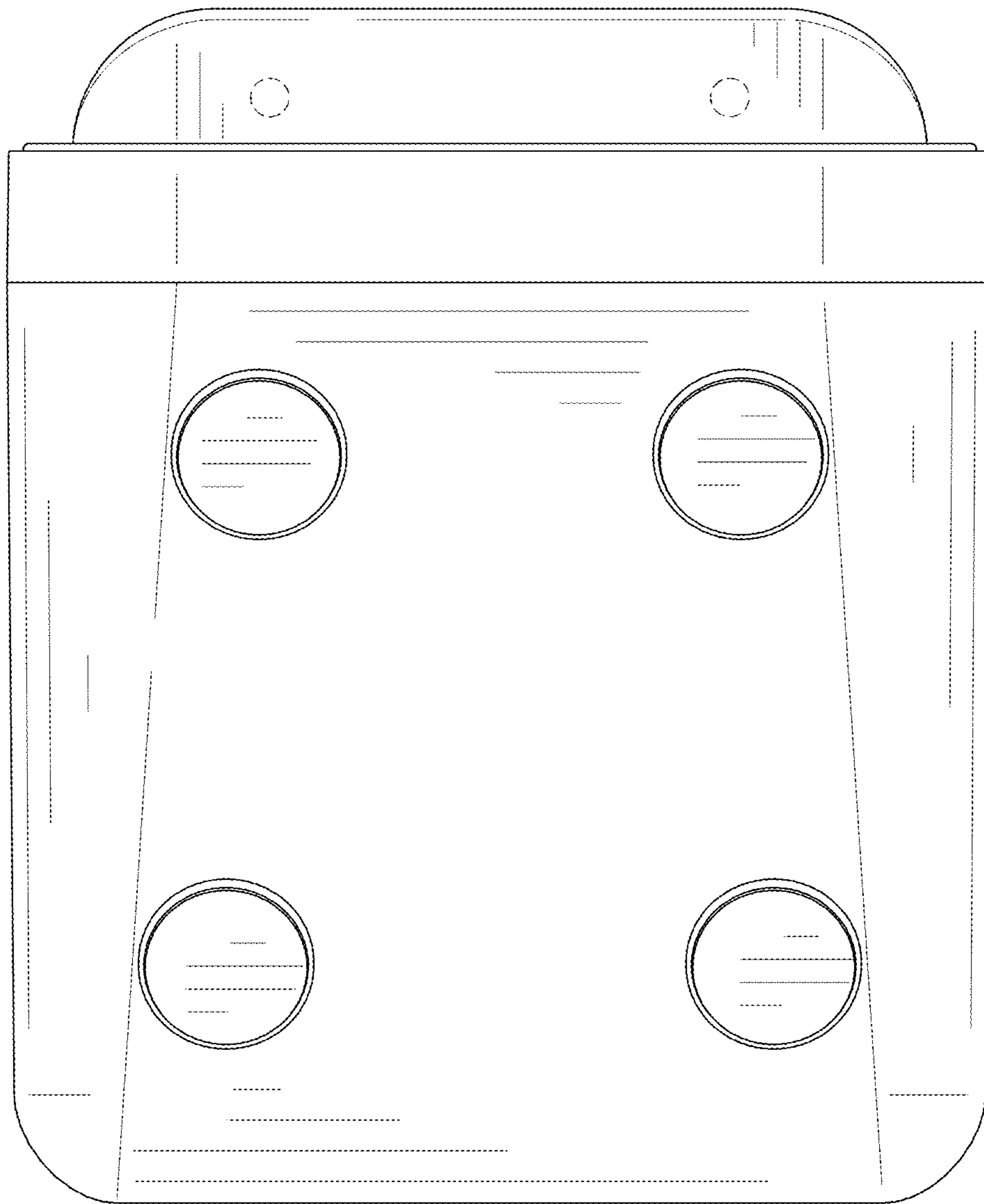


FIG. 8