



US00D896814S

(12) **United States Design Patent**  
**Zhang et al.**

(10) **Patent No.:** **US D896,814 S**

(45) **Date of Patent:** **\*\* Sep. 22, 2020**

(54) **MULTI-PORT USB HUB**

(71) Applicants: **Qingsen Zhang**, Shenzhen (CN);  
**Junling Chen**, Shenzhen (CN);  
**Zhuohao Liang**, Zhongshan (CN)

(72) Inventors: **Qingsen Zhang**, Shenzhen (CN);  
**Junling Chen**, Shenzhen (CN);  
**Zhuohao Liang**, Zhongshan (CN)

(73) Assignee: **UGREEN GROUP LIMITED**,  
Shenzhen (CN)

(\*\*) Term: **15 Years**

(21) Appl. No.: **29/666,738**

(22) Filed: **Oct. 16, 2018**

(51) **LOC (12) Cl.** ..... **14-99**

(52) **U.S. Cl.**  
USPC ..... **D14/433**

(58) **Field of Classification Search**  
USPC ..... D14/240, 242, 356, 357, 358, 378, 383,  
D14/384, 385, 386, 433, 434, 435.1,  
D14/480.1, 480.3, 480.4, 480.5, 480.6,  
D14/480.7; D13/103, 107, 108, 110, 146;  
D18/12, 12.1, 12.3  
CPC .... H01R 25/003; H01R 25/006; H01R 27/02;  
H01R 31/005; H01R 13/60; H01R  
13/6658; H01R 13/72; G06F 1/1607;  
G06F 1/1632; G06F 1/1684; G06F 1/266;  
G06F 11/325; G06F 13/00; G06F 13/12;  
G06F 13/14; G06F 13/20; G06F 13/382;  
G06F 13/4022; G06F 9/4413  
See application file for complete search history.

(56) **References Cited**

**U.S. PATENT DOCUMENTS**

D542,788 S \* 5/2007 Gutmann ..... D14/480.5  
D551,668 S \* 9/2007 Newby ..... D14/433

D554,630 S \* 11/2007 Ma ..... D14/240  
D560,165 S \* 1/2008 Matityahu ..... D13/133  
D682,197 S \* 5/2013 Leung ..... D13/103  
D683,765 S \* 6/2013 Ahn ..... D14/203.3  
D693,768 S \* 11/2013 Alesi ..... D13/110  
D696,195 S \* 12/2013 Wen ..... D13/110  
D720,755 S \* 1/2015 Nokuo ..... D14/433  
D762,170 S \* 7/2016 Lei ..... D13/108  
D788,112 S \* 5/2017 Liao ..... D14/433  
D798,811 S \* 10/2017 Liao ..... D13/110  
D828,839 S \* 9/2018 Zhang ..... D14/433  
D828,840 S \* 9/2018 Zhang ..... D14/433  
D828,841 S \* 9/2018 Zhang ..... D14/433  
D847,139 S \* 4/2019 Wang ..... D14/433  
D856,278 S \* 8/2019 Turksu ..... D13/108  
D856,324 S \* 8/2019 Shim ..... D14/348  
D862,385 S \* 10/2019 Turksu ..... D13/108  
D864,966 S \* 10/2019 Sang ..... D14/434  
D869,467 S \* 12/2019 Lin ..... D14/434  
D878,373 S \* 3/2020 Zhang ..... D14/433

(Continued)

*Primary Examiner* — Jeffrey D Asch  
*Assistant Examiner* — Rebekah A Caruso

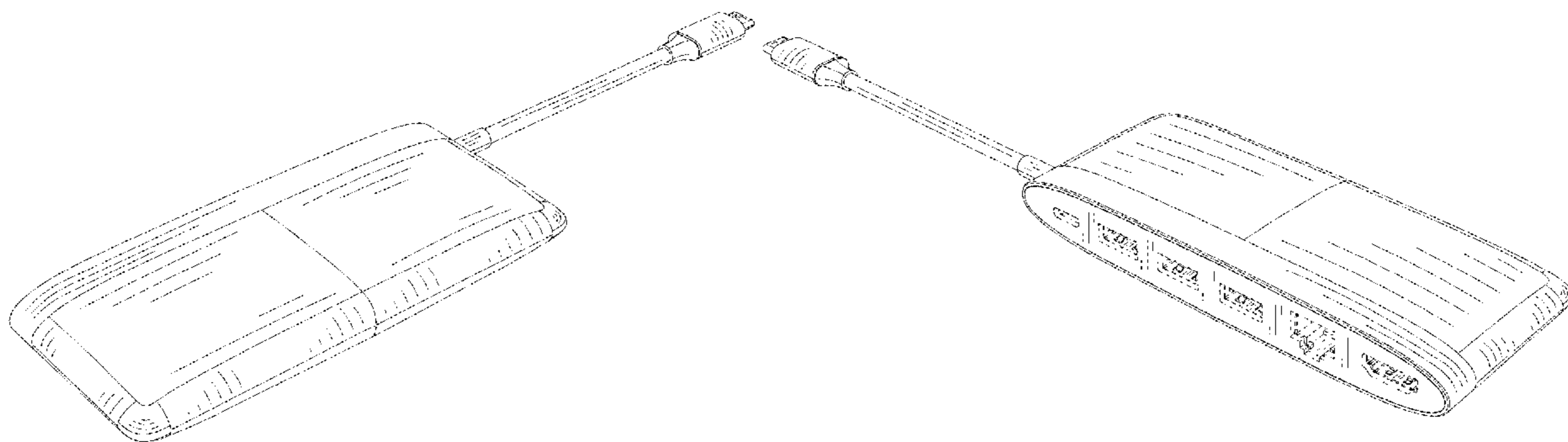
(57) **CLAIM**

The ornamental design for a multi-port USB hub, as shown and described.

**DESCRIPTION**

FIG. 1 is a front, right perspective view of a multi-port USB hub showing my new design;  
FIG. 2 is a front, left perspective view thereof  
FIG. 3 is a front elevational view thereof;  
FIG. 4 is a rear elevational view thereof;  
FIG. 5 is a left side elevational view thereof;  
FIG. 6 is a right side elevational view thereof;  
FIG. 7 is a top plan view thereof; and,  
FIG. 8 is a bottom plan view thereof.  
The broken lines depict environment that forms no part of the claimed design.

**1 Claim, 8 Drawing Sheets**



(56)

**References Cited**

U.S. PATENT DOCUMENTS

D883,983 S \* 5/2020 Zhang ..... D14/433  
2012/0243156 A1 \* 9/2012 Cheng ..... G06F 13/4022  
361/679.02

\* cited by examiner

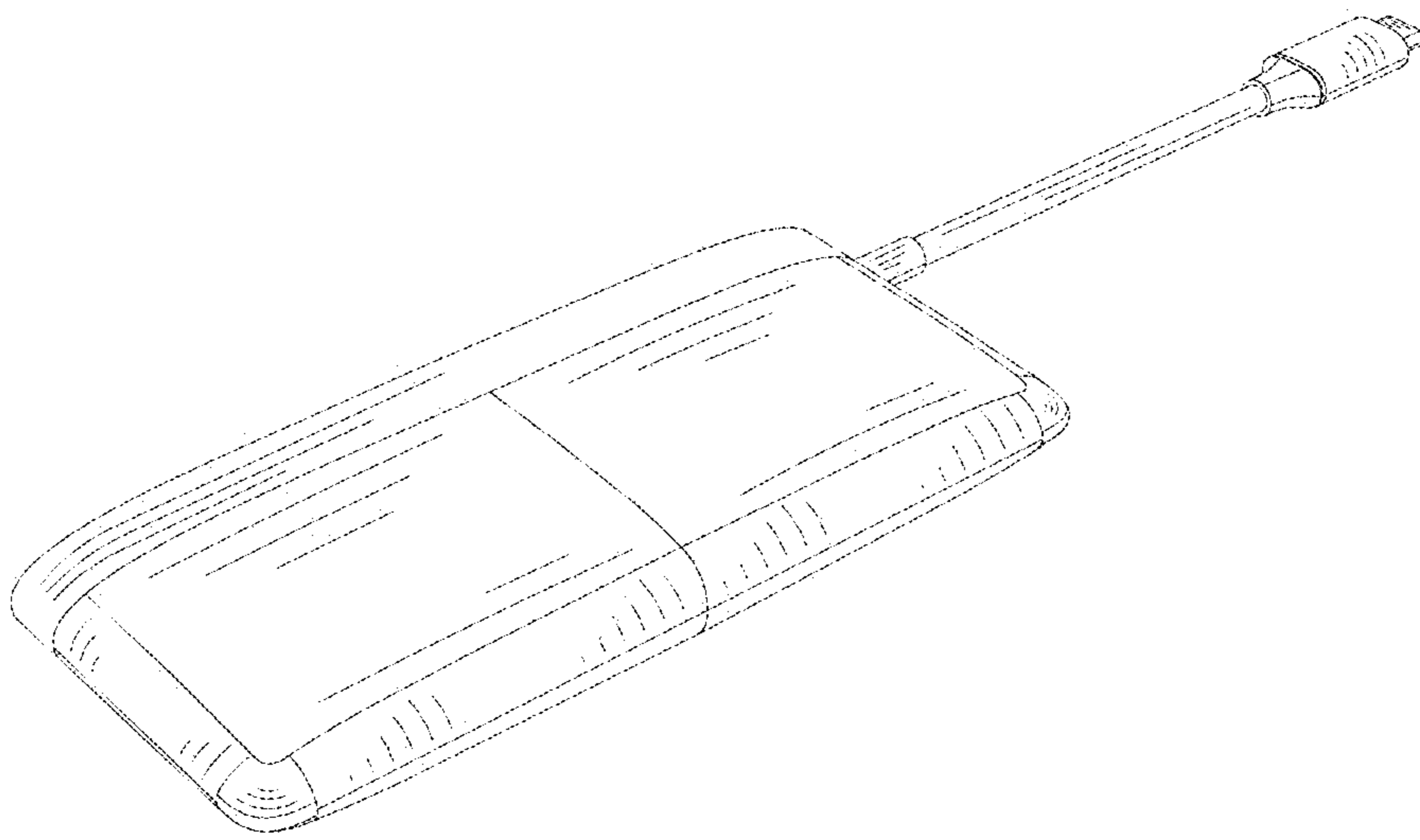


FIG. 1

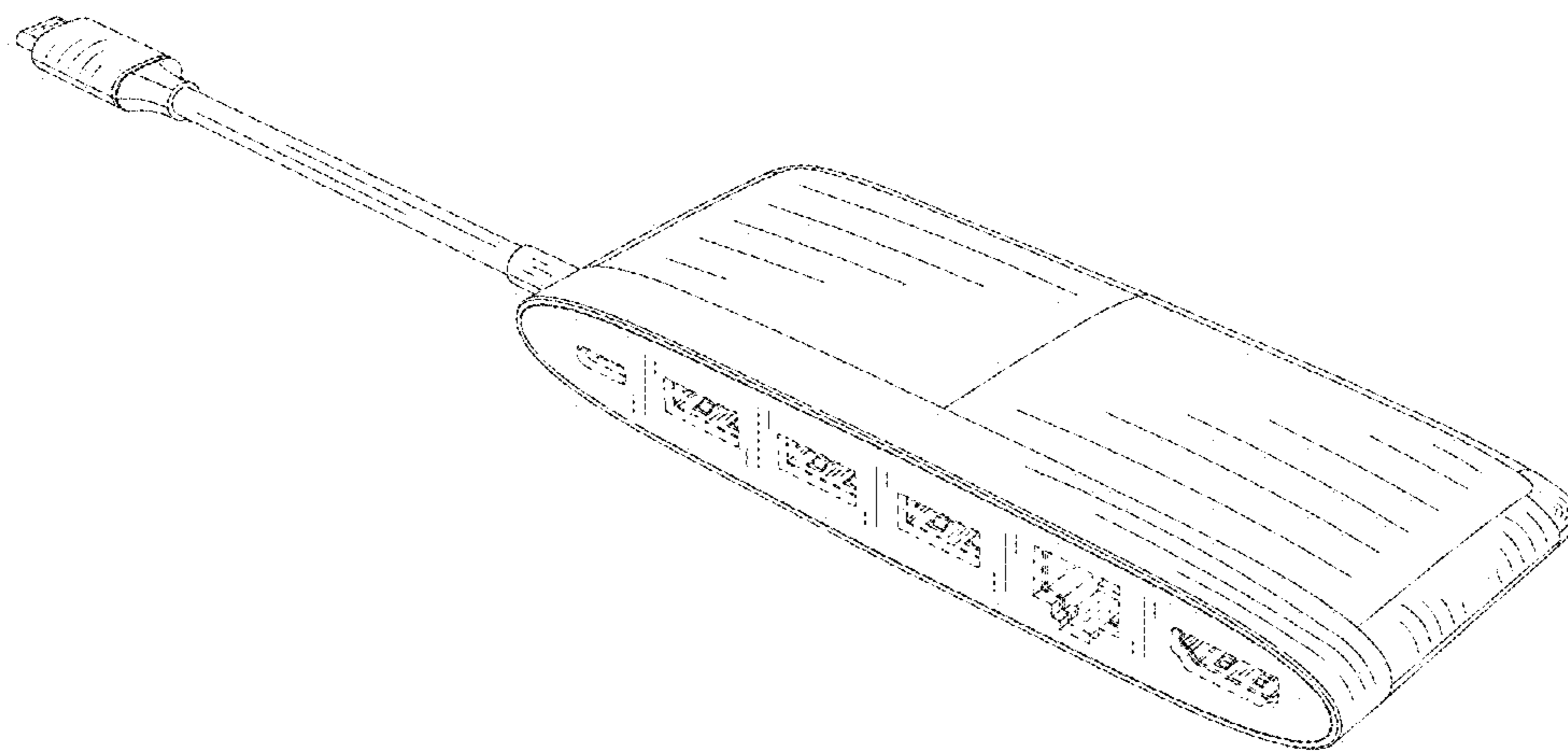


FIG. 2

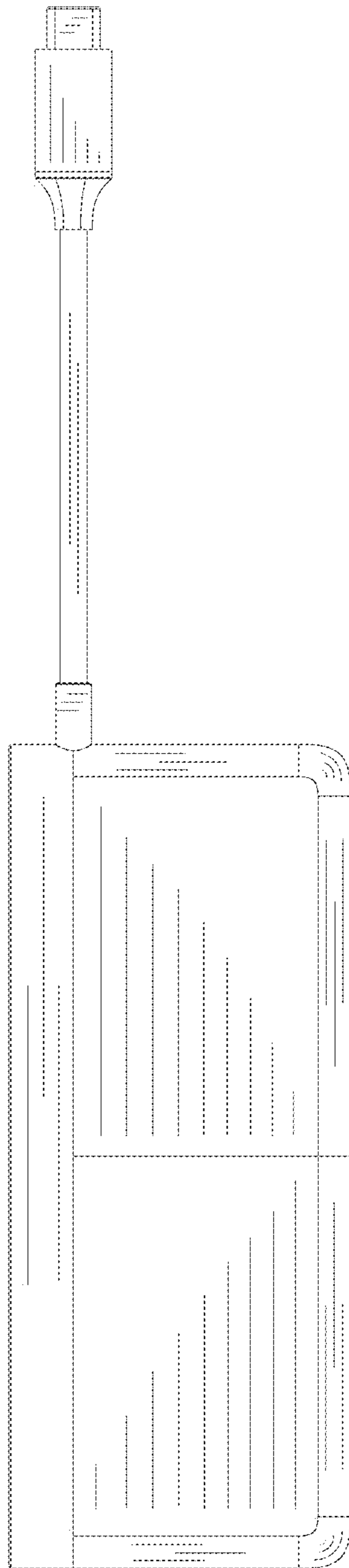


FIG. 3

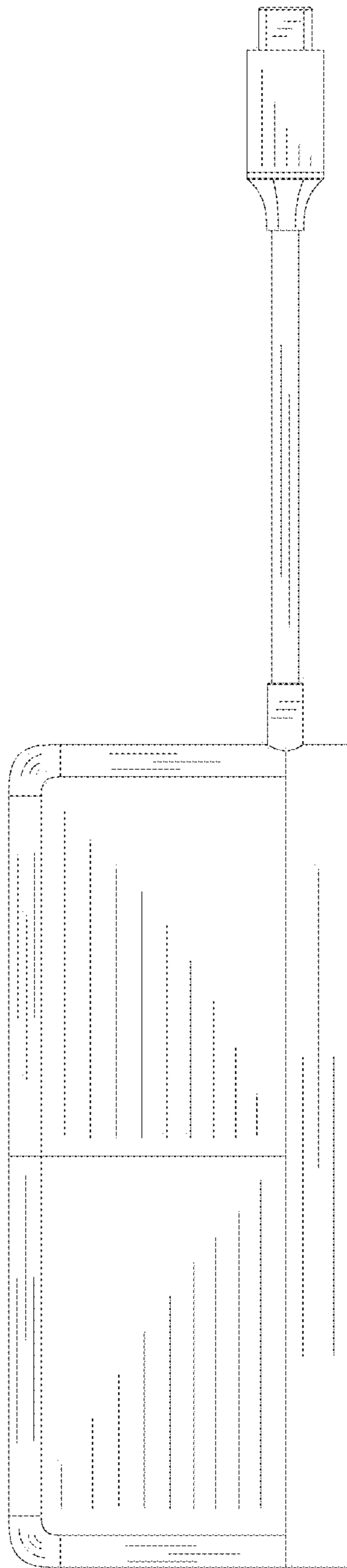


FIG. 4

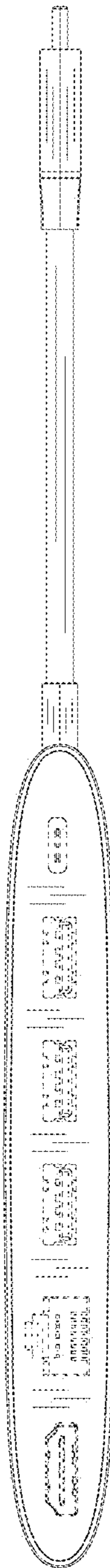


FIG. 5

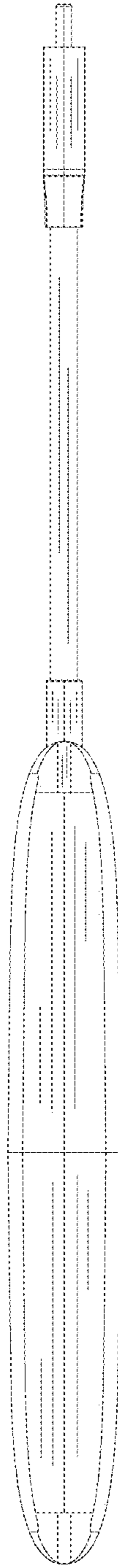


FIG. 6



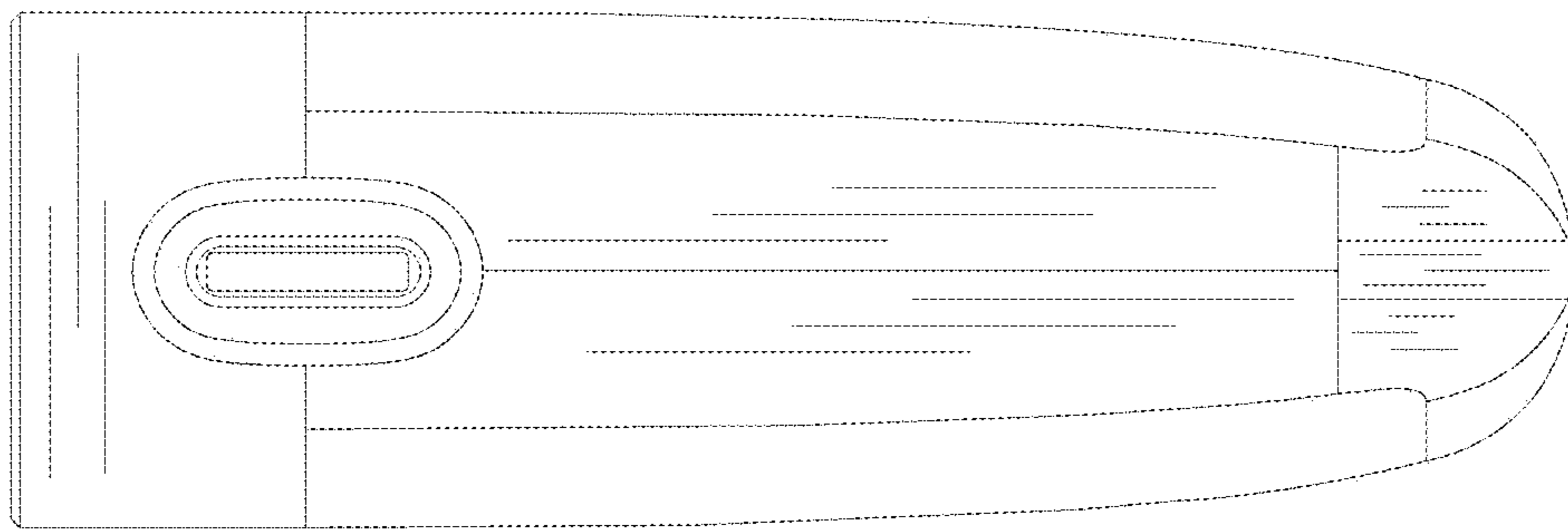


FIG. 7



FIG. 8