



US00D896813S

(12) **United States Design Patent** (10) **Patent No.:** **US D896,813 S**  
**Saeki et al.** (45) **Date of Patent:** **\*\* Sep. 22, 2020**

(54) **SCANNER**

(71) Applicant: **PFU Limited**, Kahoku-shi, Ishikawa (JP)

(72) Inventors: **Yuka Saeki**, Kahoku (JP); **Satoshi Kubota**, Kahoku (JP); **Shuji Hashimoto**, Kanazawa (JP)

(73) Assignee: **PFU Limited**, Ishikawa (JP)

(\*\*) Term: **15 Years**

(21) Appl. No.: **29/701,915**

(22) Filed: **Aug. 15, 2019**

(30) **Foreign Application Priority Data**

Mar. 14, 2019 (JP) ..... 2019-005325

(51) **LOC (12) Cl.** ..... **14-02**

(52) **U.S. Cl.**  
USPC ..... **D14/422**

(58) **Field of Classification Search**

USPC ..... D14/421-425; D18/40, 36-39, 41, D18/44-56; 235/462, 455, 470, 462.43, 235/482, 483; 358/474, 486, 488, 496, 358/498, 452, 449, 451, 453.1, 1.13, 1.16; 318/685, 696; 355/81, 75; 399/405, 367, 399/379, 380; 382/217; 715/209, 222, 715/226, 274; 400/613, 613.1-613.4, 400/690.1-690.4, 691-694; 271/264, 271/127, 131, 117, 118, 162

CPC ..... H04N 1/00; H04N 1/12; H04N 1/00013; H04N 1/00015; H04N 1/00018; H04N 1/00026; H04N 1/00557; H04N 1/00564; H04N 1/00567; H04N 1/0057; H04N 1/00572; H04N 1/00586; H04N 1/00588; H04N 1/00591; H04N 1/00594; H04N 1/00596; H04N 1/00604; H04N 1/00519; H04N 1/00559; H04N 1/1013; H04N 1/10; H04N 1/00551; H04N 1/00278; H04N 2201/0081; H04N 2201/0456;

H04N 2201/0446; H04N 2201/00; H04N 2201/0094; H04N 1/00525; H04N 1/0049; H04N 1/00493; H04N 1/00496; H04N 1/00527; H04N 1/0053; H04N 1/00533; H04N 1/00535; H04N 1/00538; H04N 1/00541; H04N 1/00543; H04N 1/00037;

(Continued)

(56) **References Cited**

U.S. PATENT DOCUMENTS

D422,570 S \* 4/2000 Kobayashi ..... D14/509  
D563,413 S \* 3/2008 Kuroda ..... D14/422

(Continued)

FOREIGN PATENT DOCUMENTS

JP D1383360 S 3/2010  
JP D1436884 S 3/2012

(Continued)

*Primary Examiner* — Susan Moon Lee

(74) *Attorney, Agent, or Firm* — RatnerPrestia

(57) **CLAIM**

The ornamental design for a scanner, as shown and described.

**DESCRIPTION**

FIG. 1 is a perspective view of a scanner showing our new design;

FIG. 2 is a front view thereof;

FIG. 3 is a rear view thereof;

FIG. 4 is a right side view thereof;

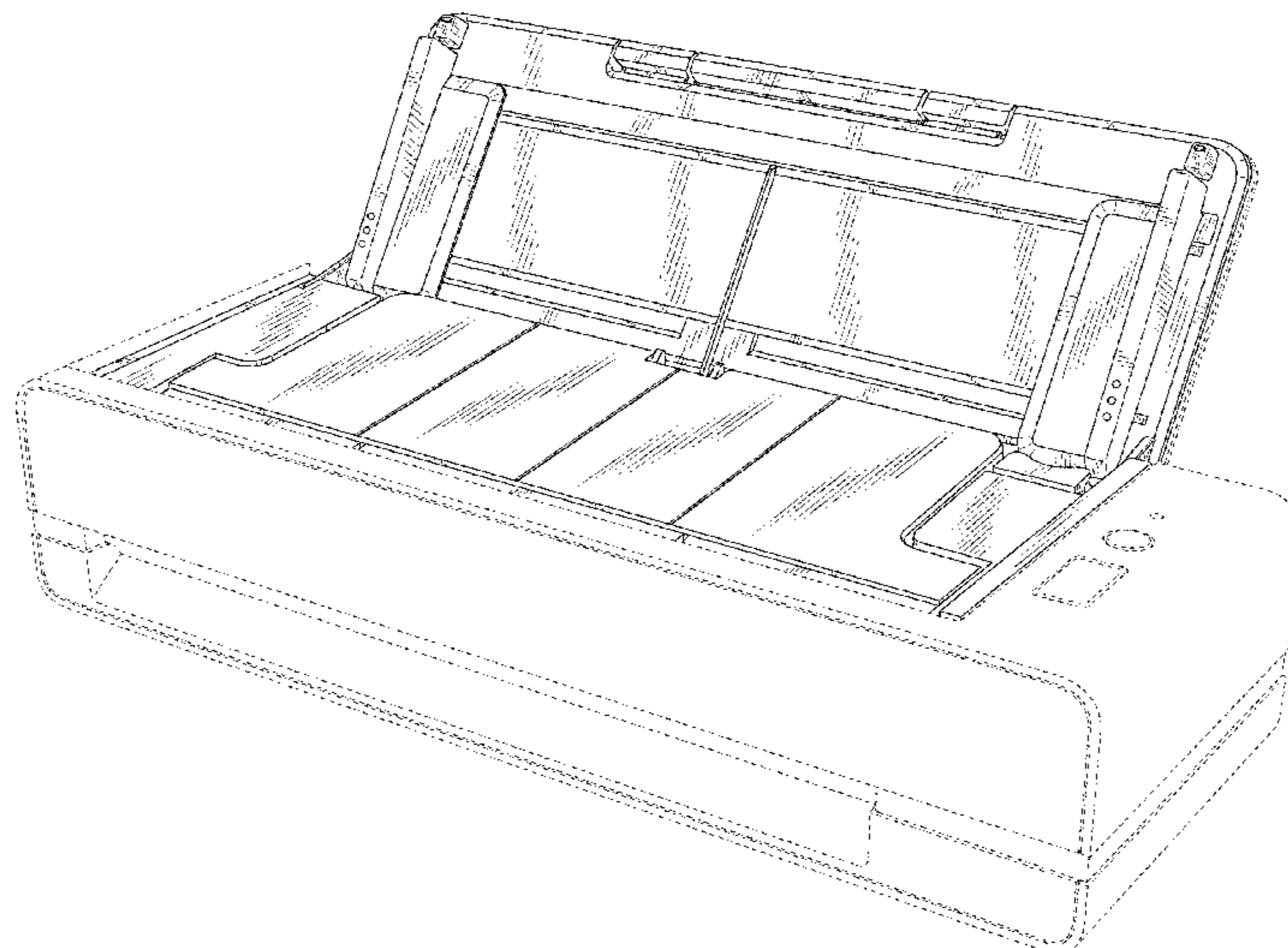
FIG. 5 is a left side view thereof;

FIG. 6 is a top plan view thereof; and,

FIG. 7 is a bottom plan view thereof.

The broken lines in the drawings are for the purpose of illustrating unclaimed portions of the scanner and form no part of the claimed design.

**1 Claim, 6 Drawing Sheets**



(58) **Field of Classification Search**

CPC ..... H04N 1/00092; H04N 1/00702; H04N  
 1/02815; H04N 1/4076; H04N 1/40056;  
 H04N 1/02845; G03G 15/0142; G03G  
 15/605; G03G 15/602; B65H 5/26; B65H  
 5/30; B65H 7/00; B65H 2511/20; B65H  
 2511/414; B65H 2511/00194; B65H  
 2511/00198; B65H 2511/00202; B65H  
 2511/00206; B65H 2301/00; B65H  
 2220/04; B65H 3/5261; B65H 2513/42

See application file for complete search history.

D689,866 S \* 9/2013 Anzai ..... D14/422  
 D689,868 S \* 9/2013 Ishikawa ..... D14/422  
 D713,845 S \* 9/2014 Taniho ..... D14/422  
 D758,369 S \* 6/2016 Kuroda ..... D14/422  
 9,415,954 B2 \* 8/2016 Ukai ..... B65H 1/02  
 D783,023 S \* 4/2017 Kuroda ..... D14/422  
 D788,110 S \* 5/2017 Kuroda ..... D14/422  
 D831,654 S \* 10/2018 Chiu ..... D14/422  
 D844,004 S \* 3/2019 Ishida ..... D14/422  
 D845,951 S \* 4/2019 Shigeno ..... D14/422  
 D845,952 S \* 4/2019 Egami ..... D14/422  
 2010/0060948 A1 \* 3/2010 Yoshida ..... H04N 1/00554  
 358/474  
 2014/0103598 A1 \* 4/2014 Kuriki ..... B65H 5/26  
 271/3.19

(56) **References Cited**

U.S. PATENT DOCUMENTS

D624,544 S \* 9/2010 Kuroda ..... D14/422  
 D624,545 S \* 9/2010 Kuroda ..... D14/422  
 D624,547 S \* 9/2010 Kuroda ..... D14/422  
 D637,191 S \* 5/2011 Kuroda ..... D14/422

FOREIGN PATENT DOCUMENTS

JP D1558324 S 3/2017  
 JP D1558766 S 3/2017

\* cited by examiner

FIG. 1

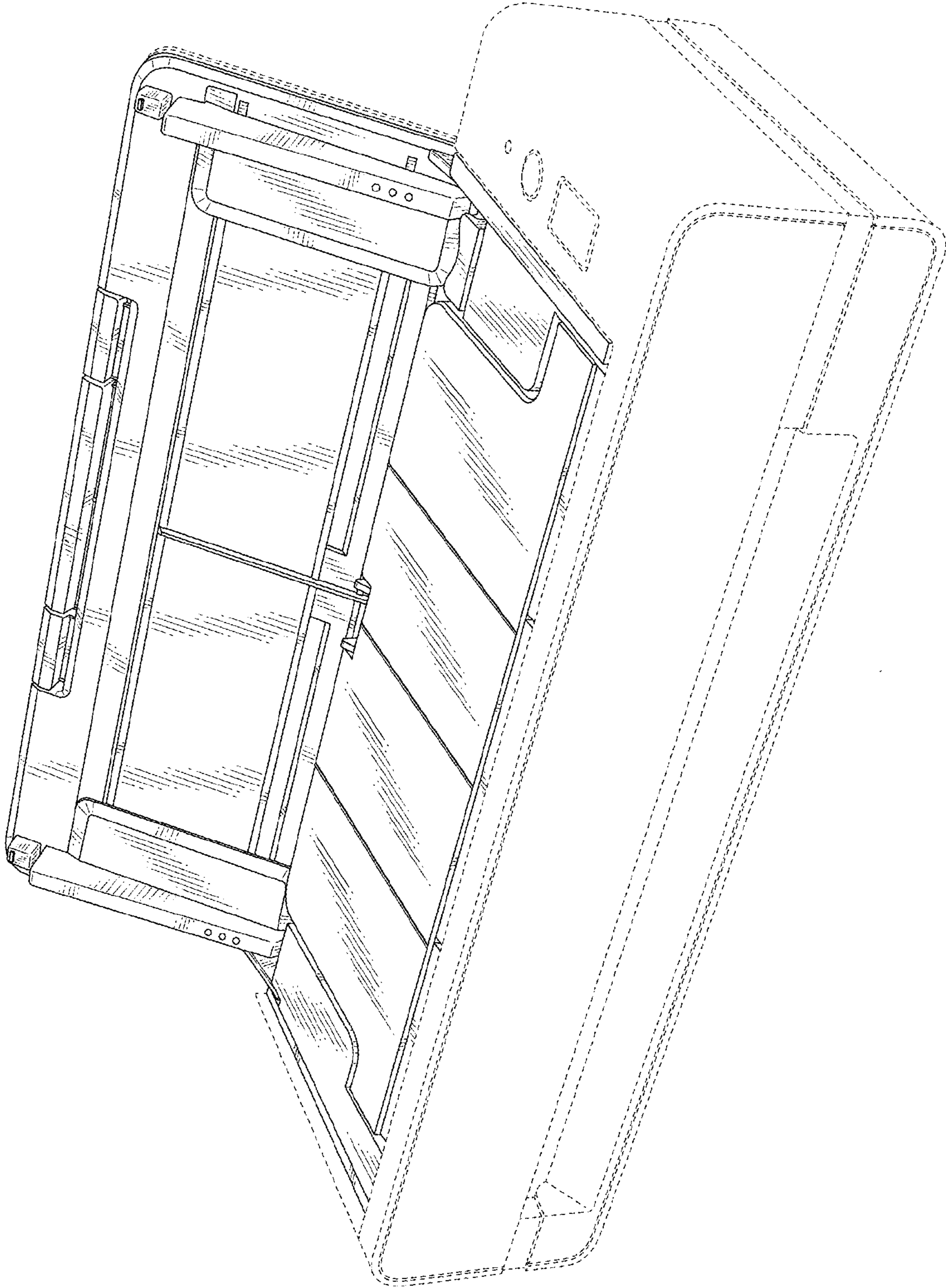


FIG. 2

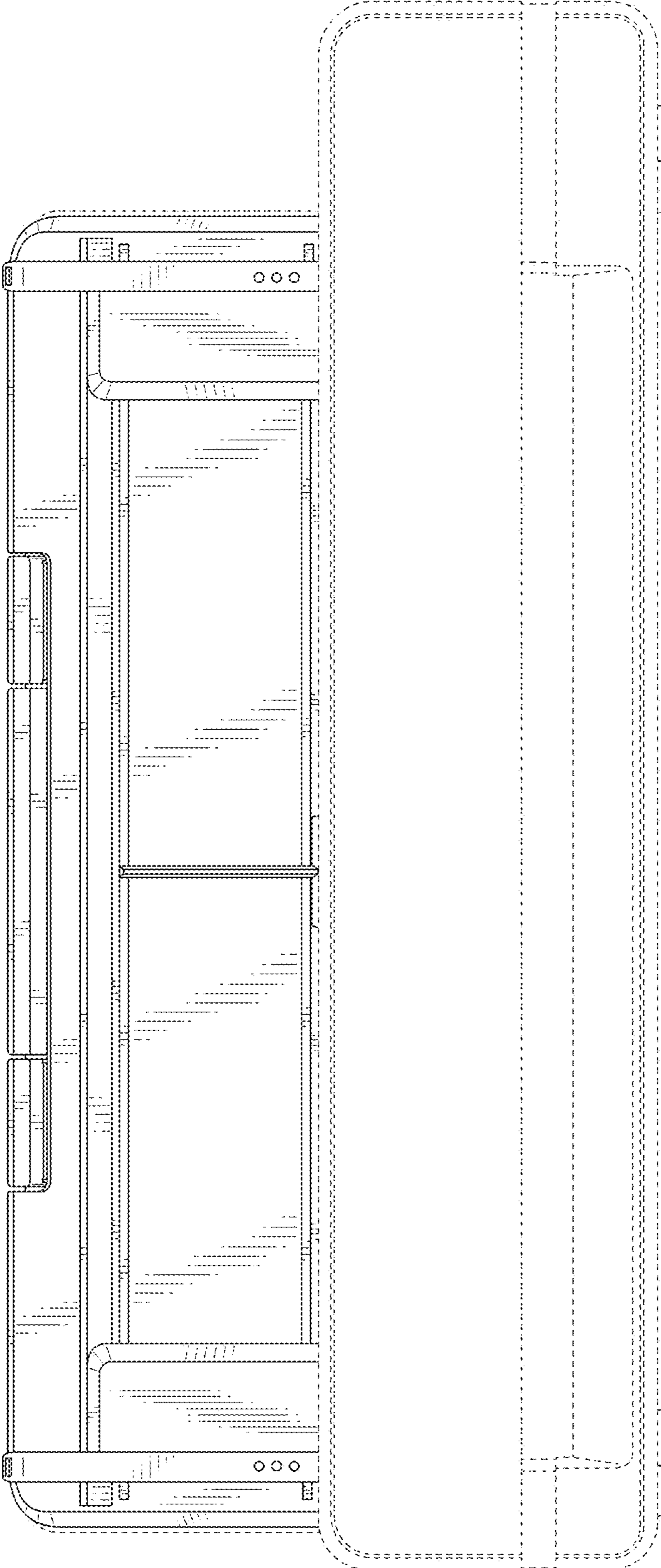


FIG. 3

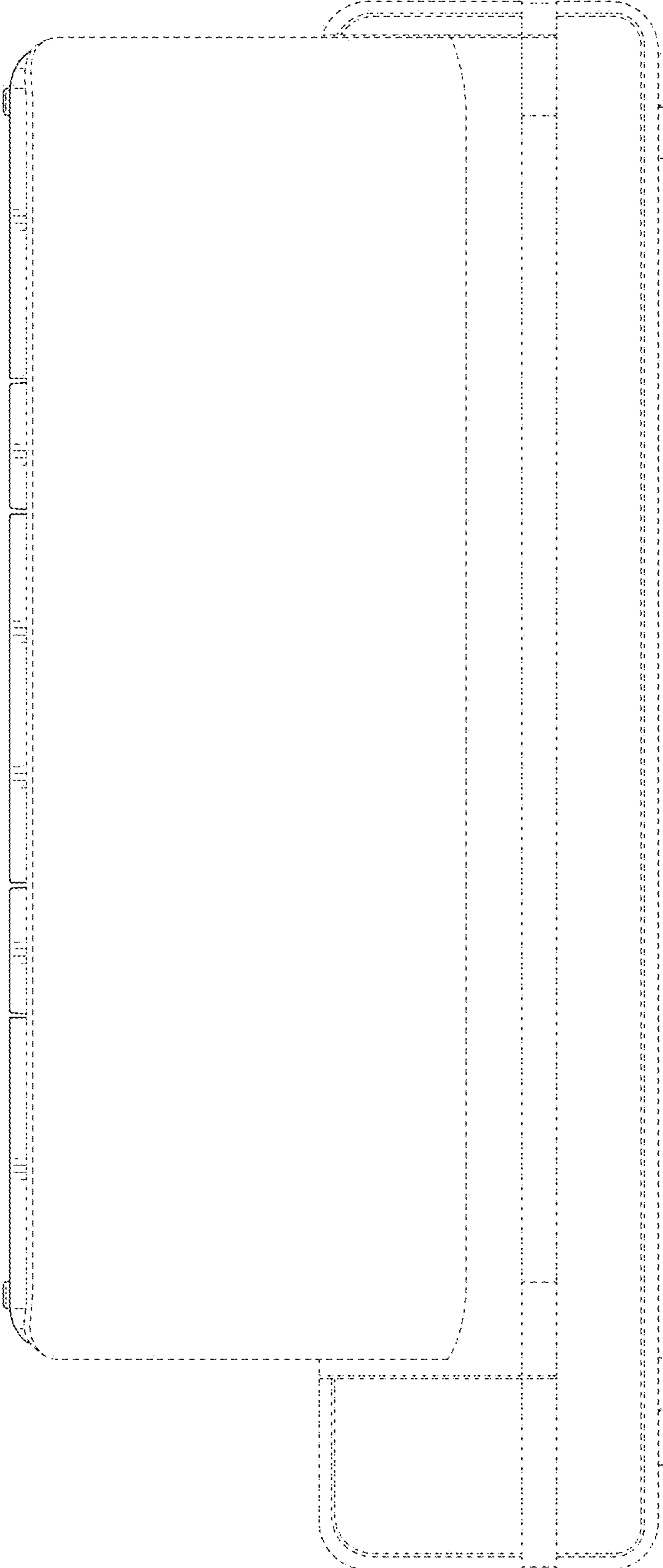


FIG. 4

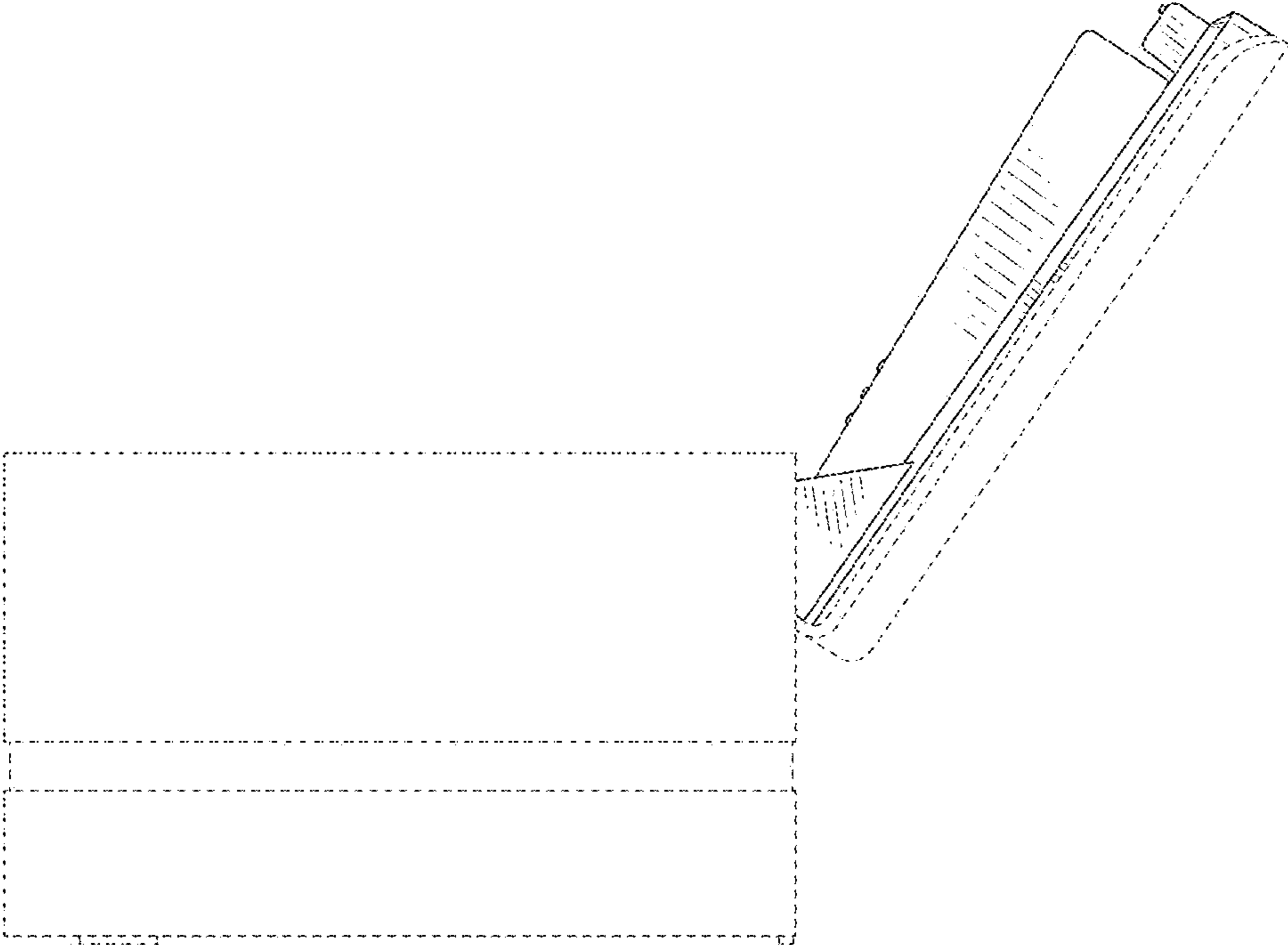


FIG. 5

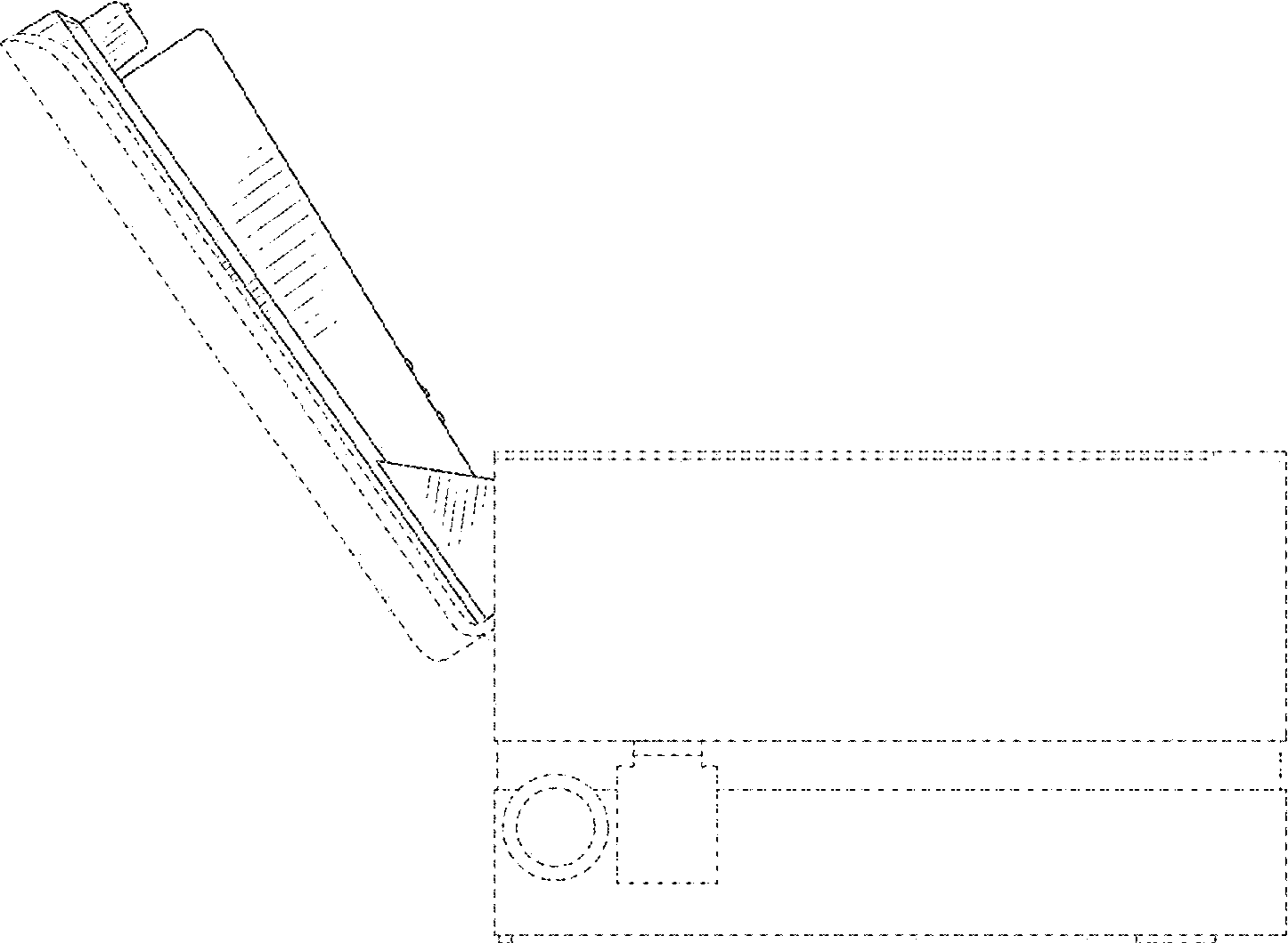


FIG. 6

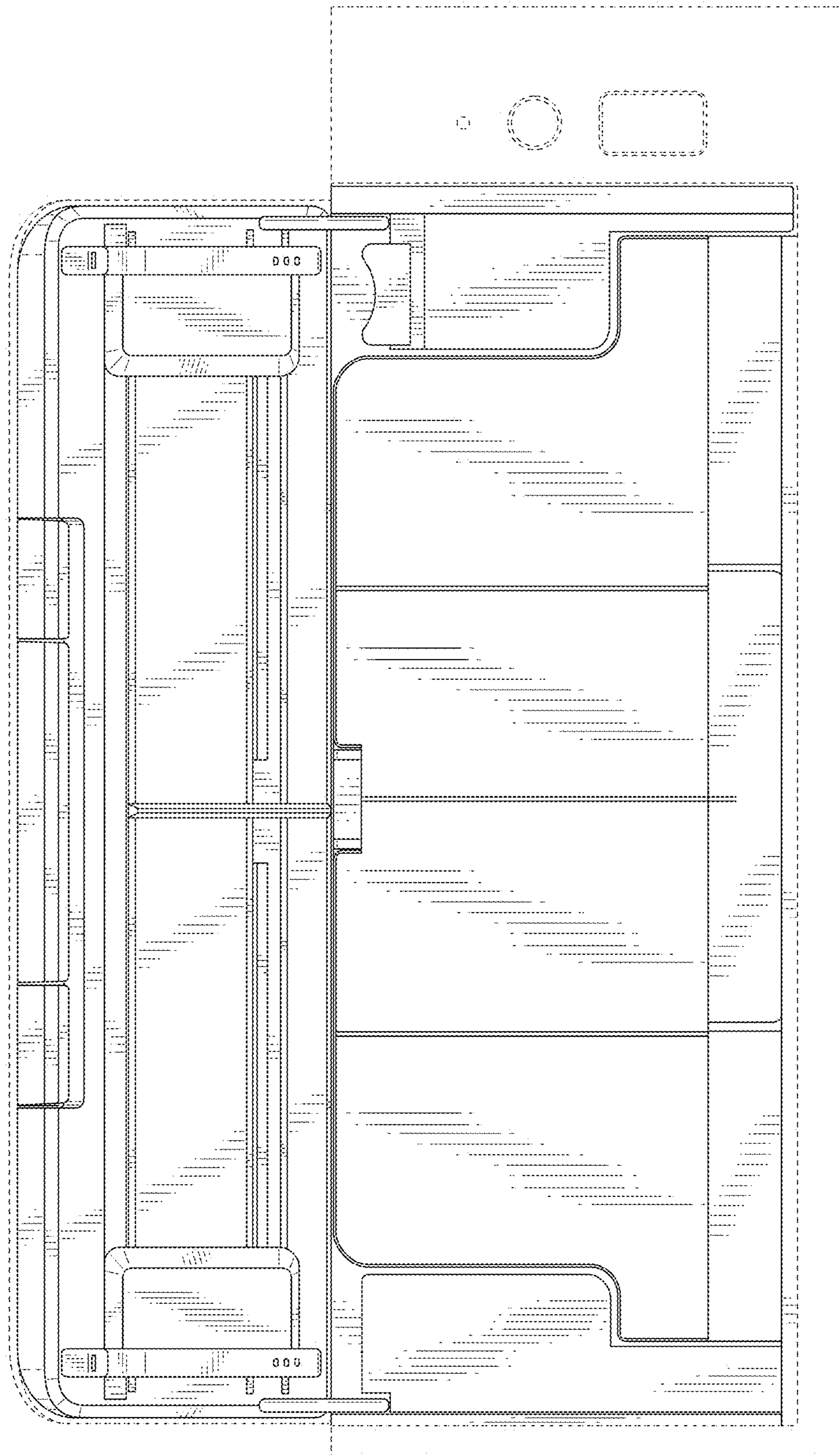


FIG. 7

