



US00D896812S

(12) **United States Design Patent** (10) **Patent No.:** **US D896,812 S**
Nishizawa (45) **Date of Patent:** **** Sep. 22, 2020**

(54) **COORDINATE INPUT INSTRUMENT**

D826,940 S * 8/2018 Nishizawa D14/411
D848,426 S * 5/2019 Nishizawa D14/411
D851,643 S * 6/2019 Nishizawa D14/411

(71) Applicant: **Wacom Co., Ltd.**, Kazo-shi, Saitama (JP)

FOREIGN PATENT DOCUMENTS

(72) Inventor: **Naoya Nishizawa**, Tokyo (JP)

CN 304005421 S 1/2017
DM DM092 250 10/2016
JP D1484973 S 11/2013
JP D1578626 S 5/2017

(73) Assignee: **Wacom Co., Ltd.**, Kazo-shi (JP)

(**) Term: **15 Years**

OTHER PUBLICATIONS

(21) Appl. No.: **29/676,568**

“Dell Active Pen—PN556W (N1DNK),” stylus, <<https://www.amazon.com/Dell-Active-Pen-PN556W-N1DJK/dp/B01BA5JT6O/ref=s...>> [retrieved Aug. 26, 2019], 8 pages.

(22) Filed: **Jan. 11, 2019**

(30) **Foreign Application Priority Data**

* cited by examiner

Jul. 12, 2008 (JP) 2018-015451

Primary Examiner — Austin Murphy

(51) **LOC (12) Cl.** **14-02**

(74) *Attorney, Agent, or Firm* — Christensen O’Connor Johnson Kindness PLLC

(52) **U.S. Cl.**
USPC **D14/411**

(58) **Field of Classification Search**
USPC D14/372, 496, 432, 371, 125, 126, 129, D14/299, 411; D16/300–342; 351/158, 351/153, 144; 345/7–9, 905; 455/344; 348/115, 53, 121, 739
CPC G02B 27/017; G06F 3/016; G06F 3/033; G06F 3/0317; G06F 3/03545; G06F 3/041; G06K 9/222

(57) **CLAIM**

The ornamental design for a coordinate input instrument, as shown and described.

See application file for complete search history.

DESCRIPTION

(56) **References Cited**

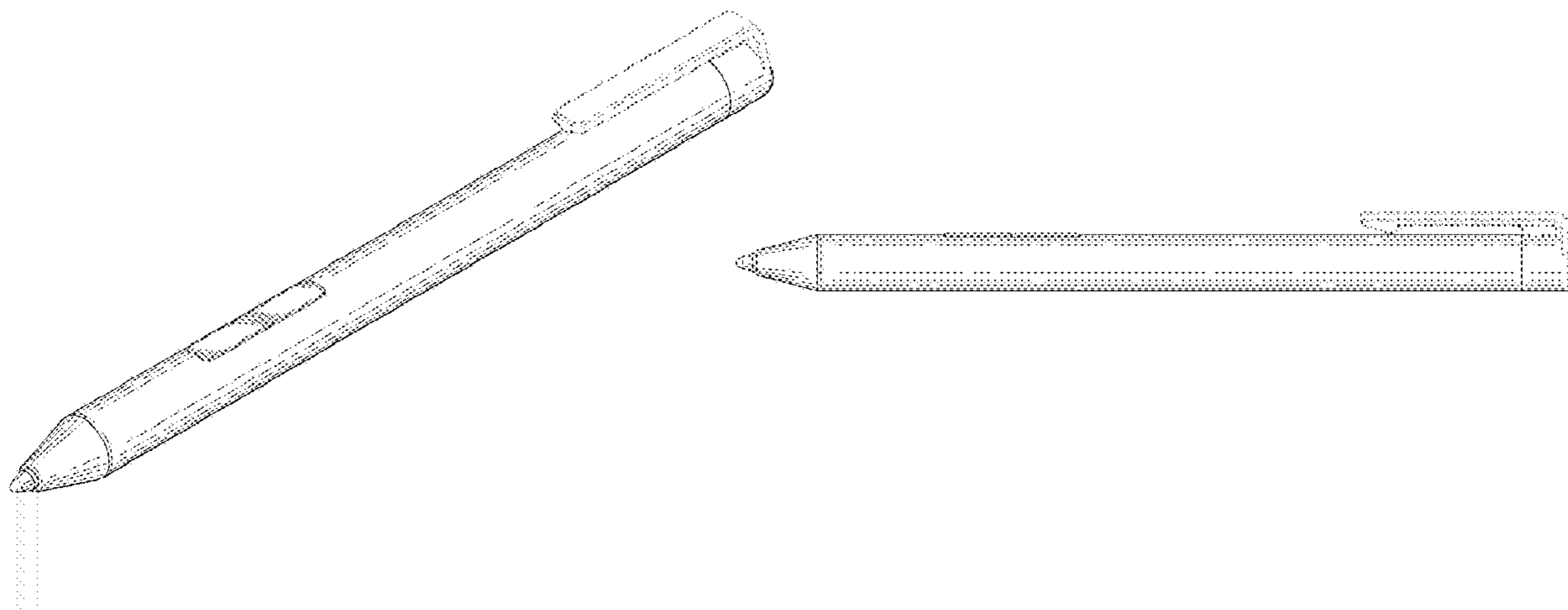
FIG. 1 is a top-front-right perspective view of a coordinate input instrument according to my new design; FIG. 2 is a bottom-rear-left perspective view thereof; FIG. 3 is a right side elevational view thereof, wherein the left side elevational view is mirror symmetrical to the right side elevational view; FIG. 4 is a front elevational view thereof; FIG. 5 is a rear elevational view thereof; FIG. 6 is a top plan view thereof; and, FIG. 7 is a bottom plan view thereof.

U.S. PATENT DOCUMENTS

D498,496 S 11/2004 Volk
D705,780 S * 5/2014 Nishizawa D14/411
D724,086 S 3/2015 Schoenert et al.
D754,661 S * 4/2016 Nishizawa D14/411
D797,741 S 9/2017 Cebe
D799,487 S * 10/2017 Nishizawa D14/411
D799,488 S * 10/2017 Nishizawa D14/411
D811,402 S * 2/2018 Nishizawa D14/411
D812,058 S * 3/2018 Lehman D14/411
D812,059 S * 3/2018 Lehman D14/411

The broken lines show portions of the coordinate input instrument which form no part of the claimed design. The dot-dash broken lines define the bounds of the claimed design and form no part thereof.

1 Claim, 3 Drawing Sheets



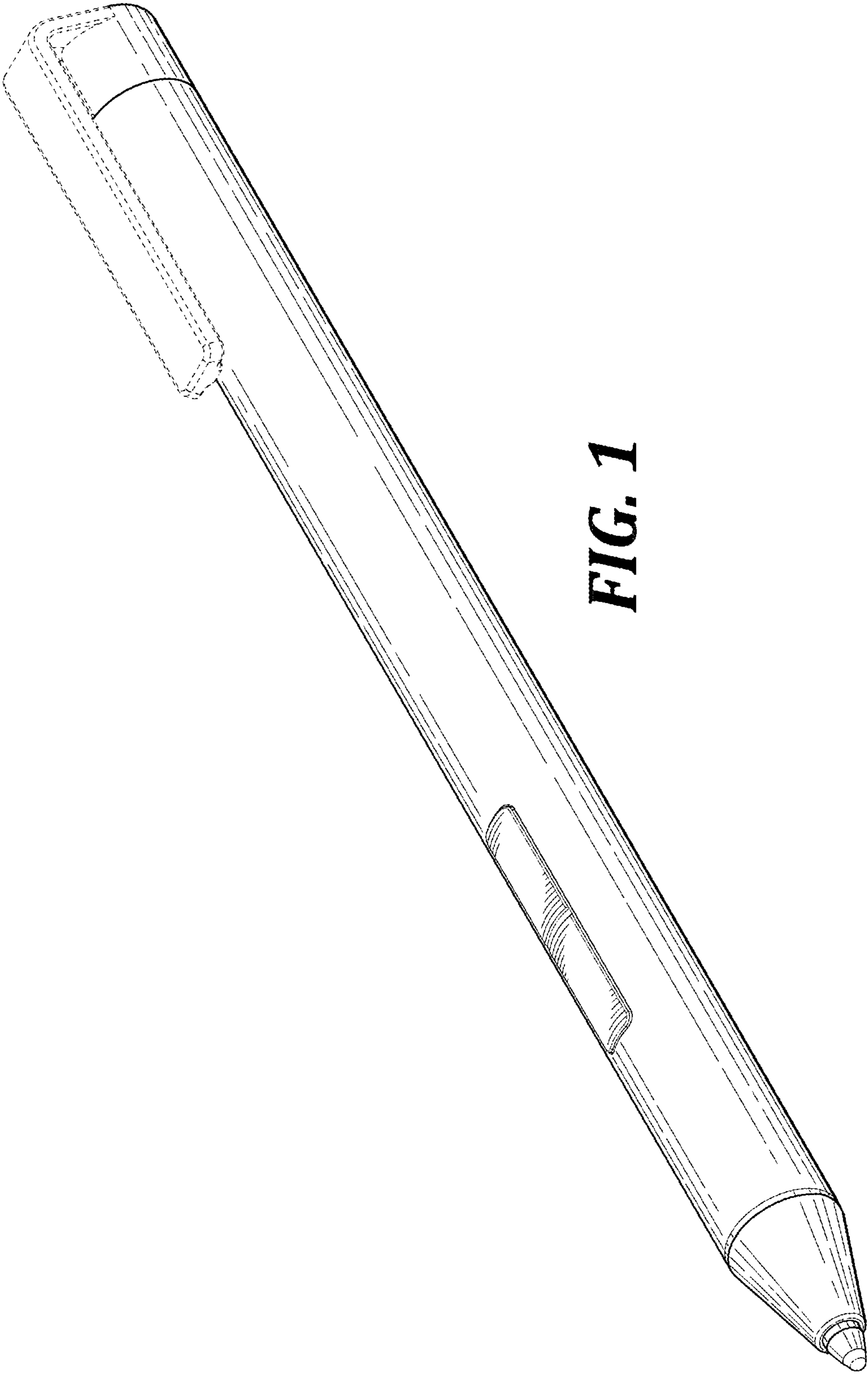


FIG. 1

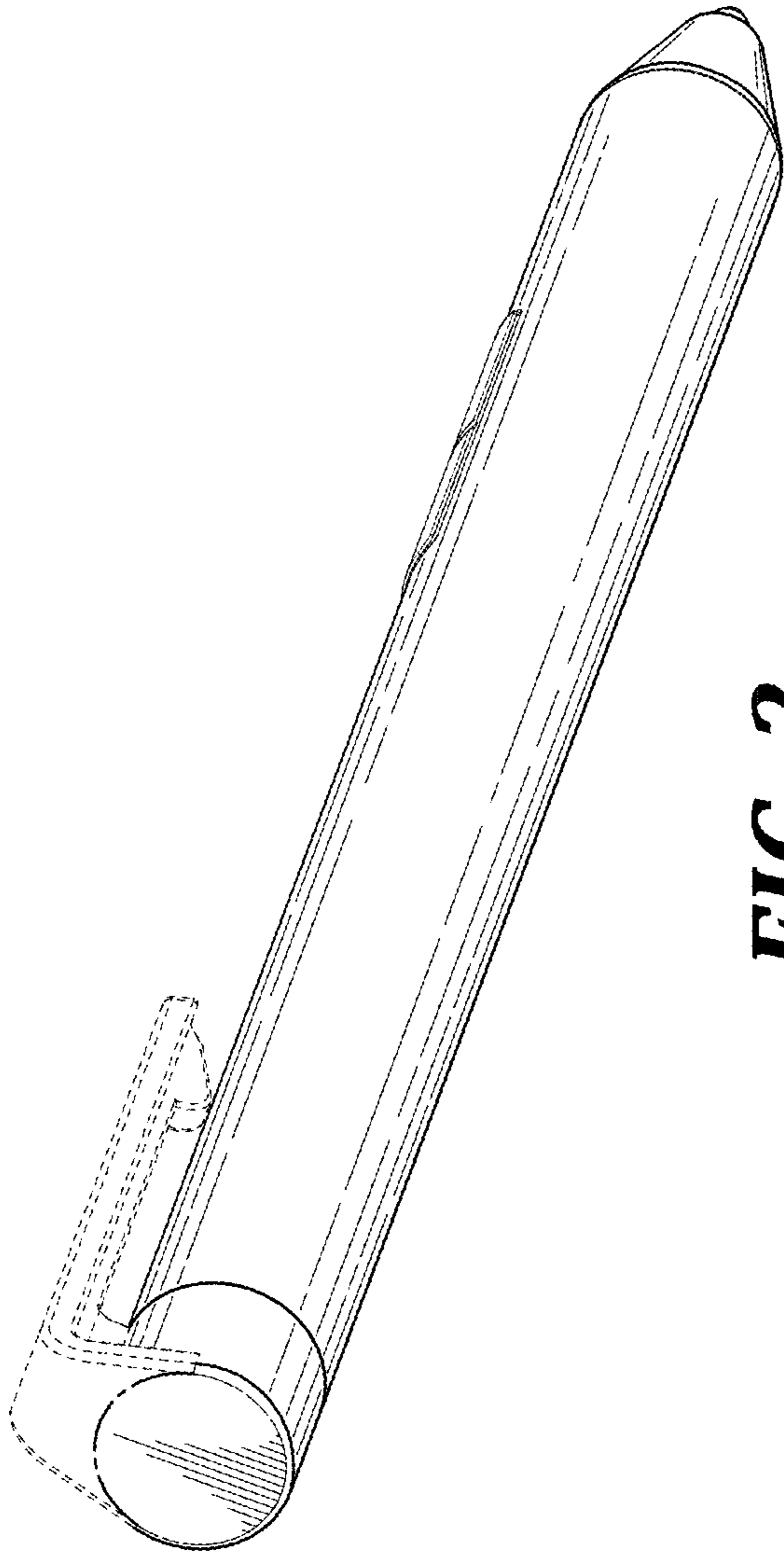


FIG. 2

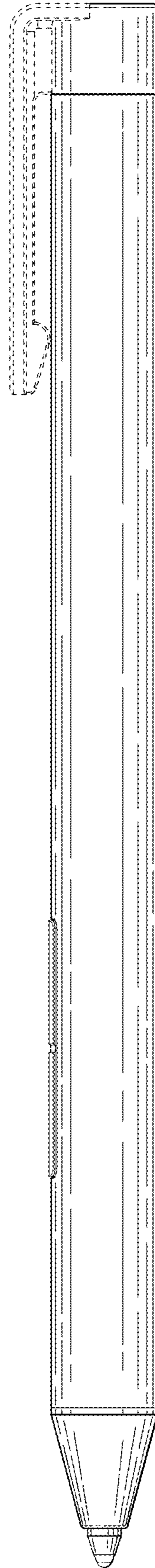


FIG. 3

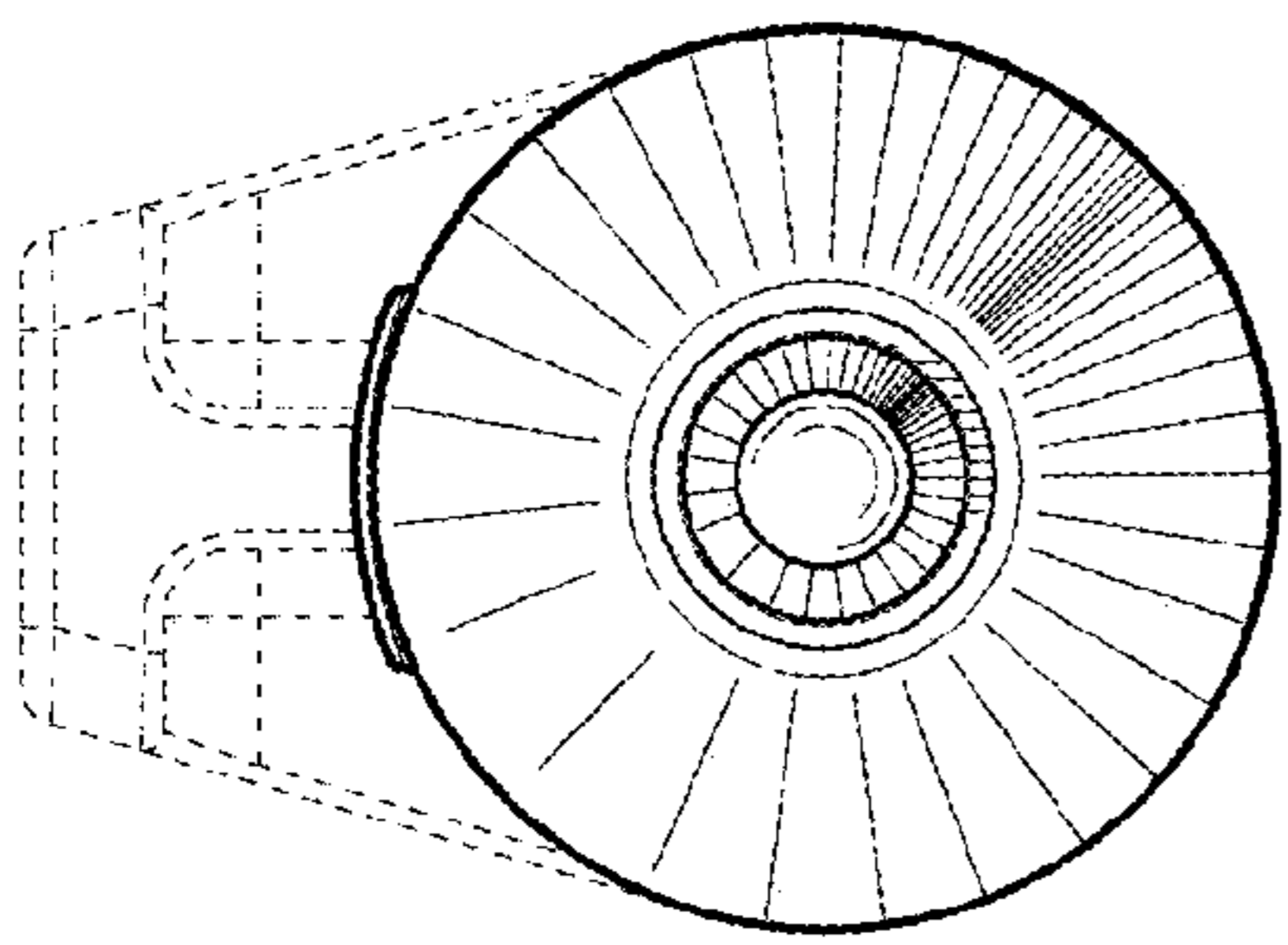


FIG. 4

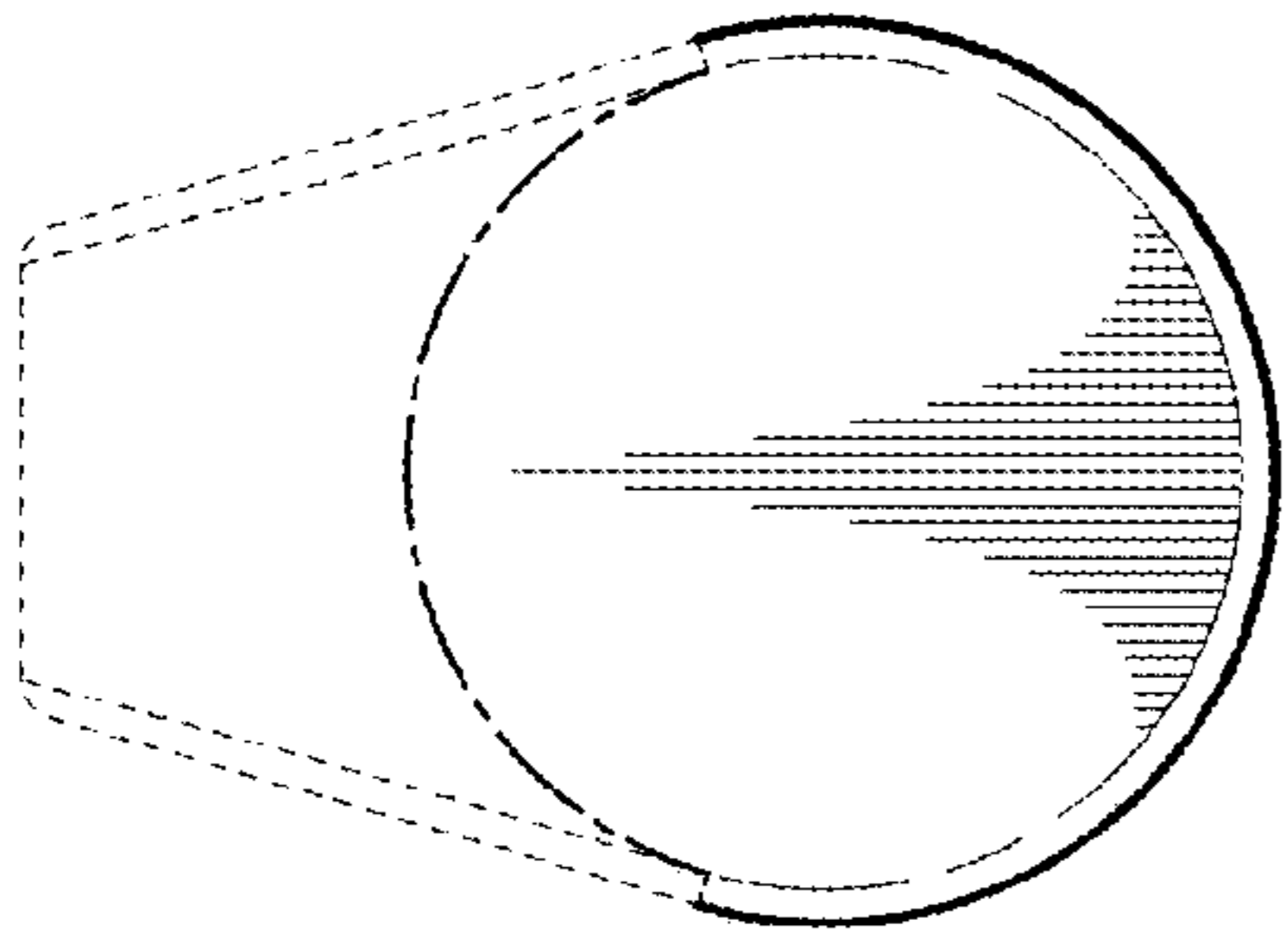


FIG. 5

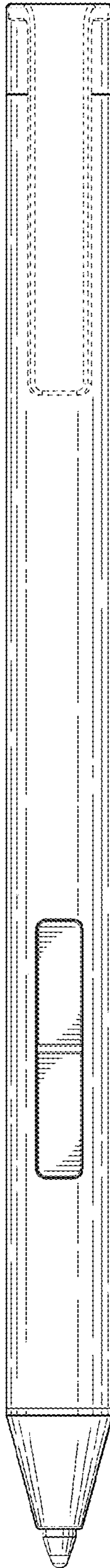


FIG. 6

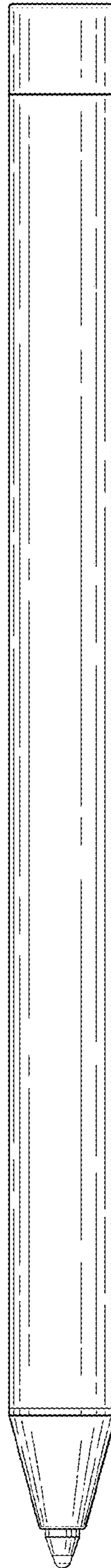


FIG. 7

UNITED STATES PATENT AND TRADEMARK OFFICE
CERTIFICATE OF CORRECTION

PATENT NO. : D896,812 S
APPLICATION NO. : 29/676568
DATED : September 22, 2020
INVENTOR(S) : N. Nishizawa

Page 1 of 1

It is certified that error appears in the above-identified patent and that said Letters Patent is hereby corrected as shown below:

On the Title Page

Under the heading (30) Foreign Application Priority Data, Column 1 Line 9 change "Jul. 12, 2008" to
-- Jul. 12, 2018 --

Signed and Sealed this
Twenty-second Day of June, 2021



Drew Hirshfeld
*Performing the Functions and Duties of the
Under Secretary of Commerce for Intellectual Property and
Director of the United States Patent and Trademark Office*