



US00D896811S

(12) **United States Design Patent**
Nishizawa

(10) **Patent No.:** **US D896,811 S**

(45) **Date of Patent:** **** Sep. 22, 2020**

(54) **COORDINATE INPUT INSTRUMENT**

(71) Applicant: **Wacom Co., Ltd.**, Kazo-shi, Saitama (JP)

(72) Inventor: **Naoya Nishizawa**, Toyko (JP)

(73) Assignee: **Wacom Co., Ltd.**, Kazo-shi (JP)

(**) Term: **15 Years**

(21) Appl. No.: **29/676,563**

(22) Filed: **Jan. 11, 2019**

(30) **Foreign Application Priority Data**

Jul. 12, 2018 (JP) 2018-015450

(51) **LOC (12) Cl.** **14-02**

(52) **U.S. Cl.**
USPC **D14/411**

(58) **Field of Classification Search**
USPC D14/372, 496, 432, 371, 125, 126, 129,
D14/299, 411; D16/300-342; 351/158,
351/153, 144; 345/7-9, 905; 455/344;
348/115, 53, 121, 739
CPC G02B 27/017; G06F 3/016; G06F 3/033;
G06F 3/0317; G06F 3/03545; G06F
3/041; G06K 9/222

See application file for complete search history.

(56) **References Cited**

U.S. PATENT DOCUMENTS

D498,496 S	11/2004	Volk	
D705,780 S *	5/2014	Nishizawa	D14/411
D724,086 S	3/2015	Schoenert et al.	
D754,661 S *	4/2016	Nishizawa	D14/411
D797,741 S	9/2017	Cebe	
D799,487 S *	10/2017	Nishizawa	D14/411
D799,488 S *	10/2017	Nishizawa	D14/411
D811,401 S *	2/2018	Lehman	D14/411
D811,402 S *	2/2018	Nishizawa	D14/411

D812,058 S *	3/2018	Lehman	D14/411
D812,059 S *	3/2018	Lehman	D14/411
D826,940 S *	8/2018	Nishizawa	D14/411

(Continued)

FOREIGN PATENT DOCUMENTS

CN	30400521 S	1/2017
DM	092250 S	10/2016
JP	D1578626 S	6/2017

OTHER PUBLICATIONS

Den Active Stylus Pen, © 2019 Dell, Manufacturer Part N1DNK, Dell Part 750-AAMI, <<https://www.dell.com/en-us/shop/dell-active-stylus-pen/apd/750-aami/pc-accessories?>. . . > [retrieved Mar. 13, 2019], 4 pages.

Primary Examiner — Austin Murphy

(74) *Attorney, Agent, or Firm* — Christensen O'Connor Johnson Kindness PLLC

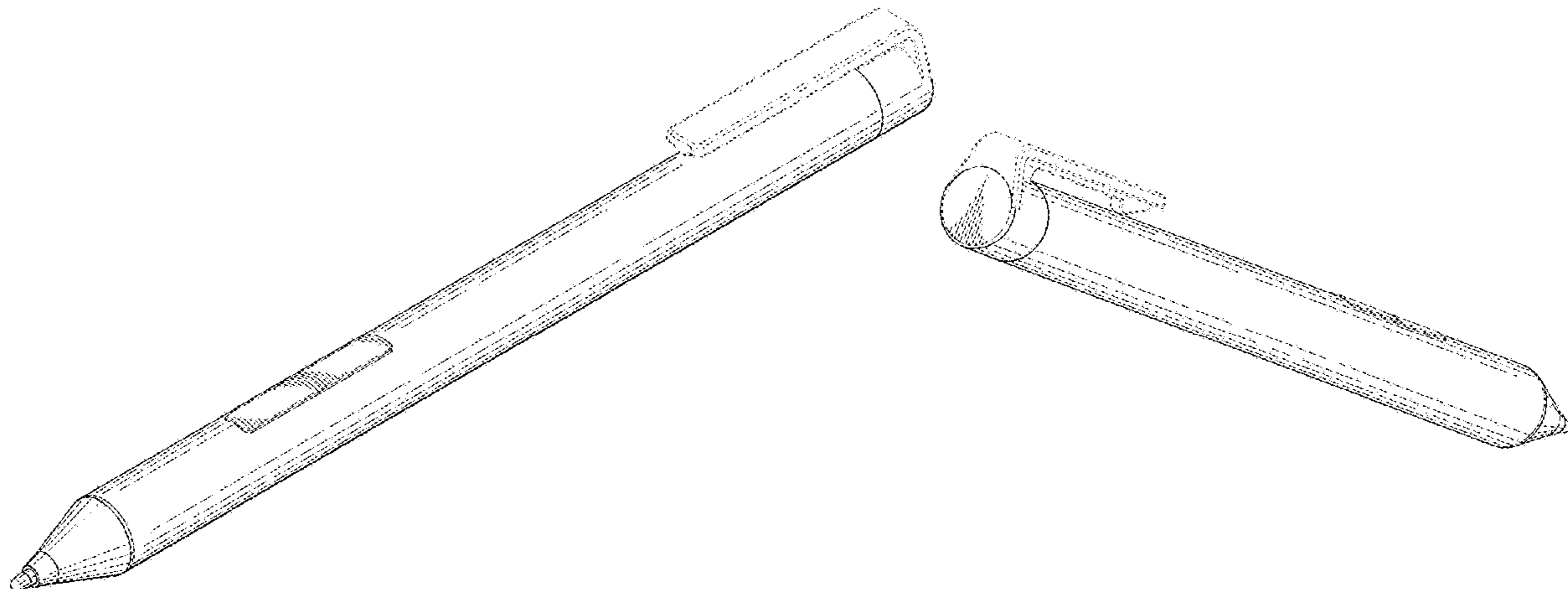
(57) **CLAIM**

The ornamental design for a coordinate input instrument, as shown and described.

DESCRIPTION

FIG. 1 is a top-front-right perspective view of a coordinate input instrument according to of my new design; FIG. 2 is a bottom-rear-left perspective view thereof; FIG. 3 is a right side elevational view thereof, wherein the left side elevational view is mirror symmetrical to the right side elevational view; FIG. 4 is a front elevational view thereof; FIG. 5 is a rear elevational view thereof; FIG. 6 is a top plan view thereof; and, FIG. 7 is a bottom plan view thereof. The broken lines show portions of the coordinate input instrument which form no part of the claimed design. The dot-dash broken lines define the bounds of the claimed design and form no part thereof.

1 Claim, 3 Drawing Sheets



(56)

References Cited

U.S. PATENT DOCUMENTS

D835,106 S	*	12/2018	Hsu	D14/411
D848,426 S	*	5/2019	Nishizawa	D14/411
D851,643 S	*	6/2019	Nishizawa	D14/411
D873,827 S	*	1/2020	Lu	D14/411

* cited by examiner

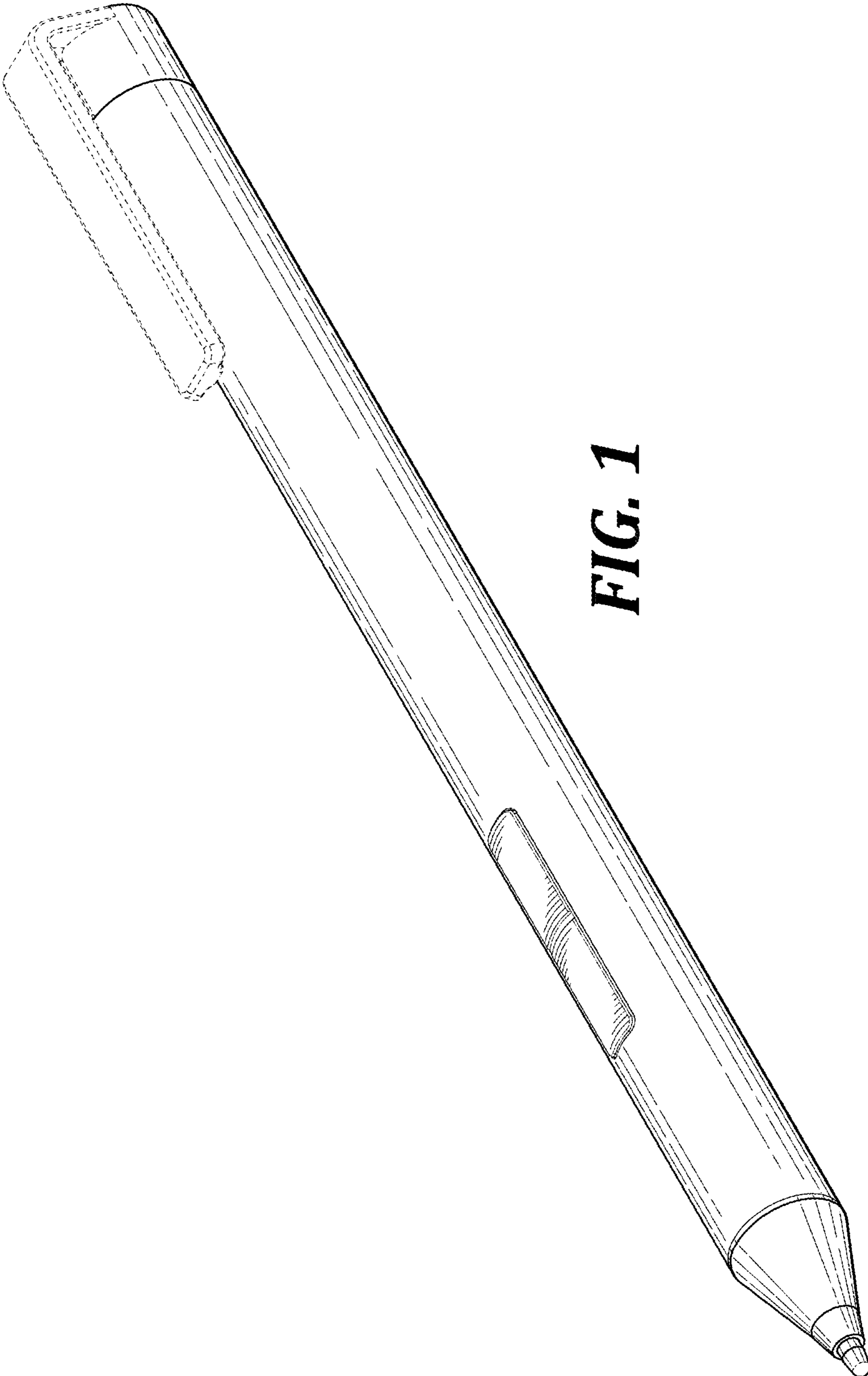


FIG. 1

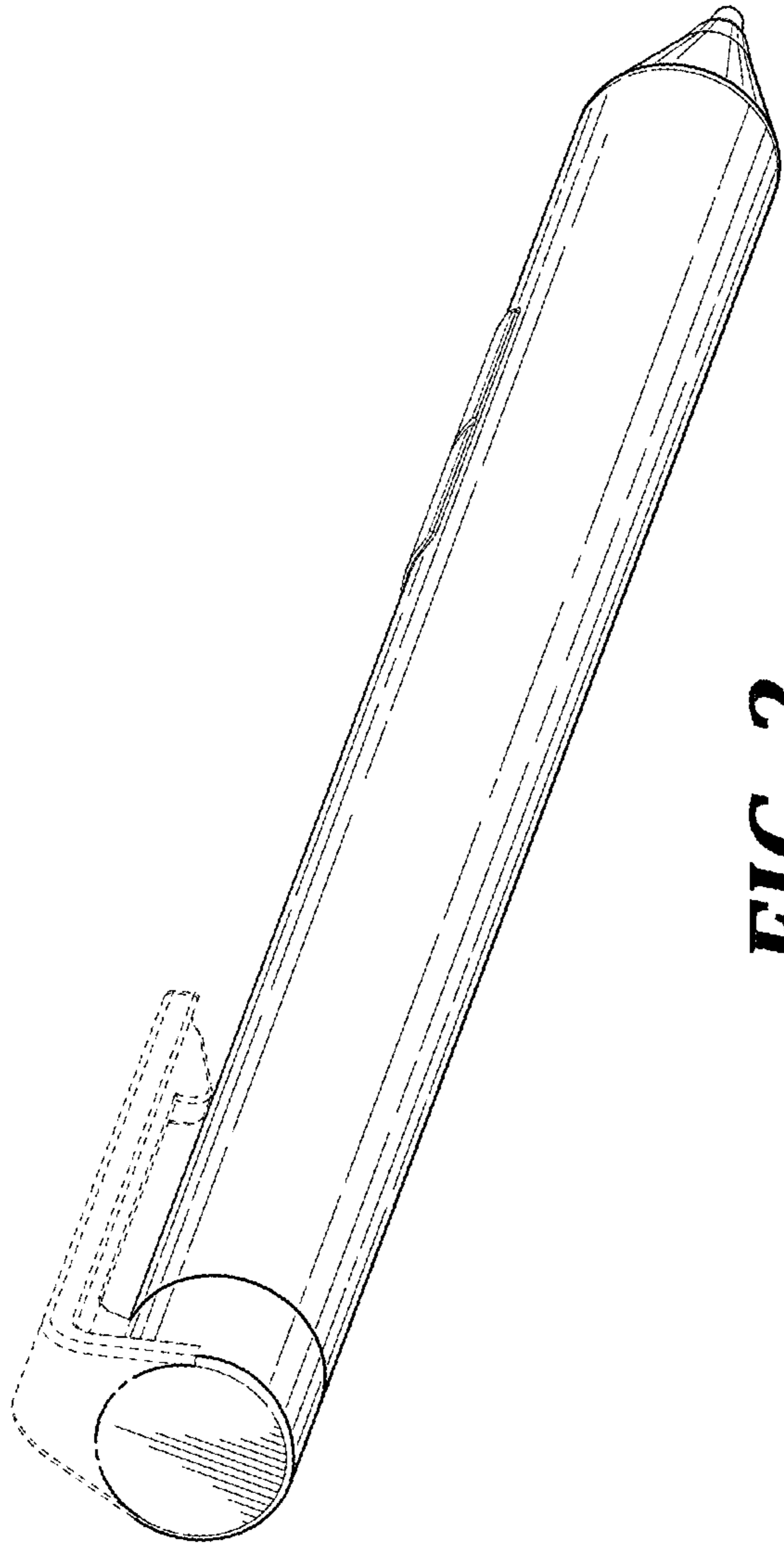


FIG. 2

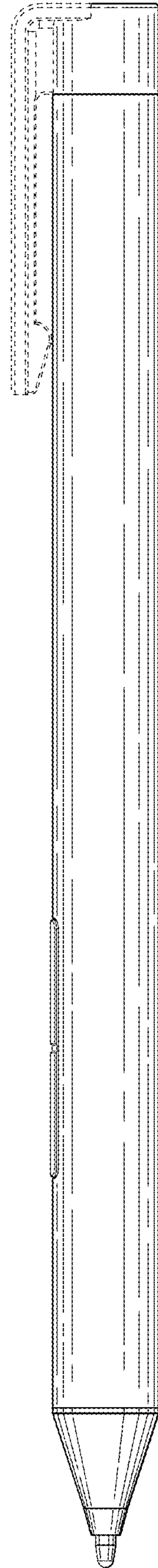


FIG. 3

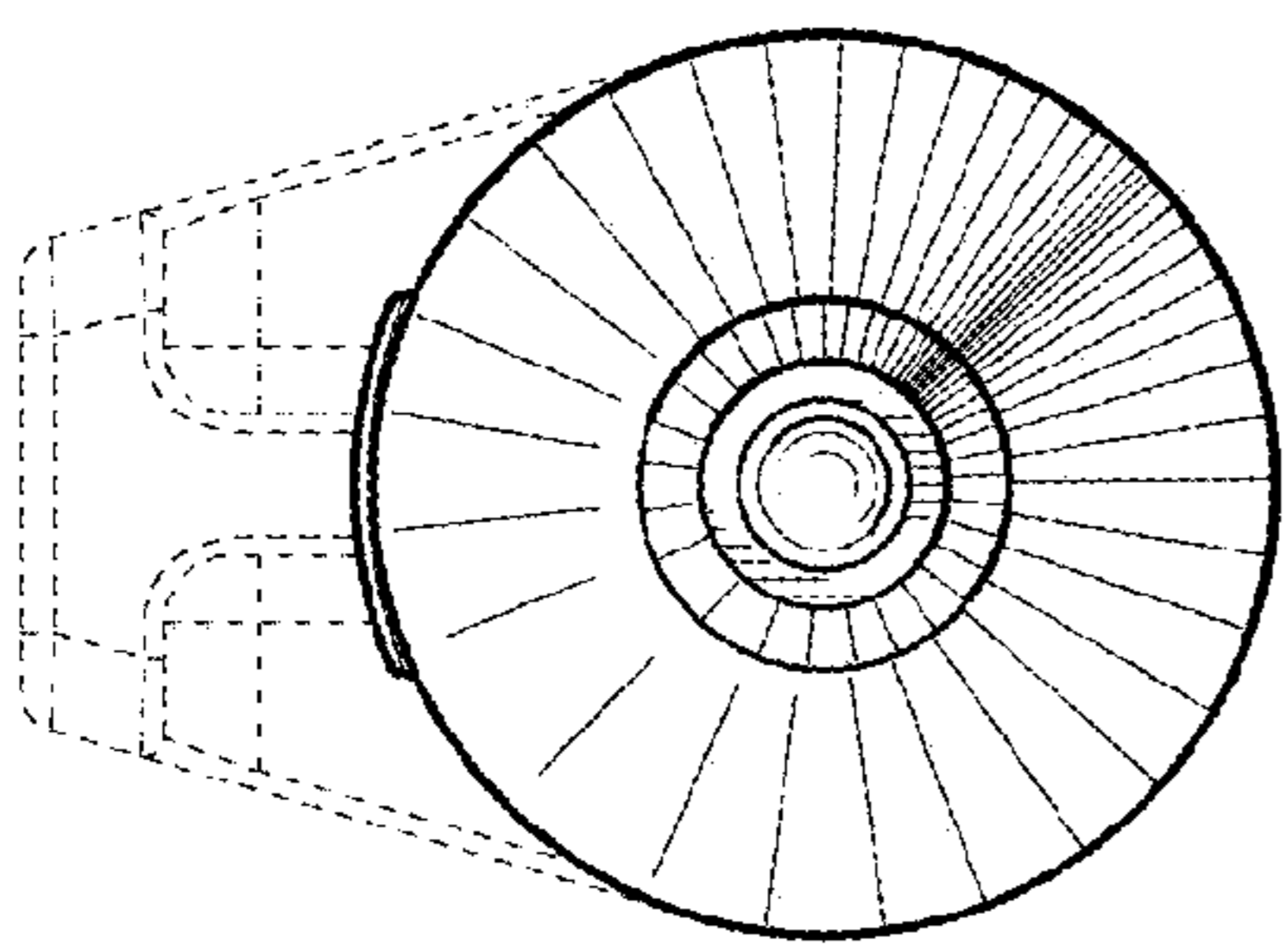


FIG. 4

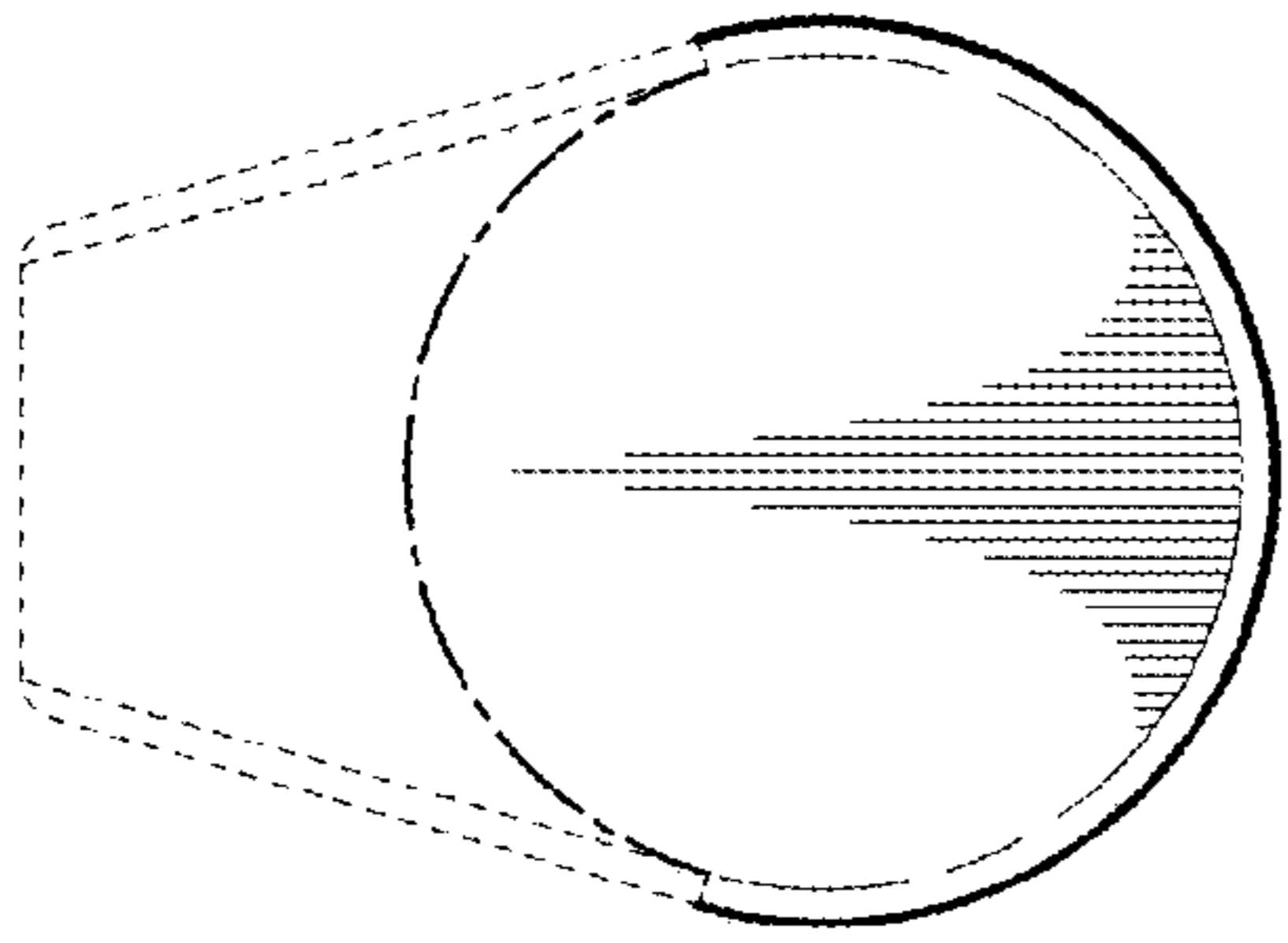


FIG. 5

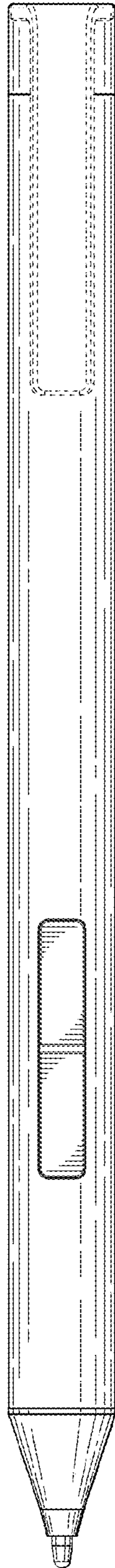


FIG. 6

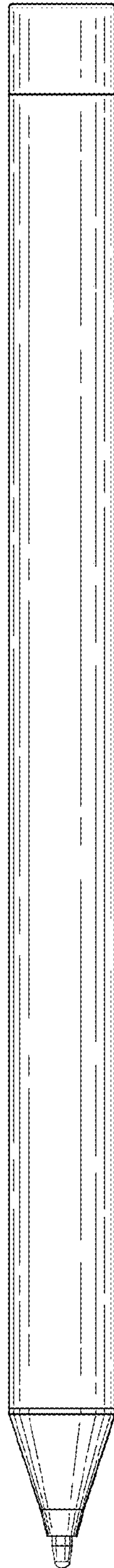


FIG. 7