



US00D896808S

(12) **United States Design Patent**
Koh

(10) **Patent No.:** **US D896,808 S**

(45) **Date of Patent:** **** Sep. 22, 2020**

(54) **ARTIFICIAL INTELLIGENCE PLATFORM DEVICE**

(71) Applicants: **NAVER Corporation**, Seongnam-si, Gyeonggi-do (KR); **LINE Corporation**, Shinjuku-ku, Tokyo (JP)

(72) Inventor: **Young In Koh**, Seongnam-si (KR)

(73) Assignees: **NAVER Corporation**, Gyeonggi-do (KR); **LINE Corporation**, Tokyo (JP)

(**) Term: **15 Years**

(21) Appl. No.: **29/617,762**

(22) Filed: **Sep. 15, 2017**

(30) **Foreign Application Priority Data**

Aug. 22, 2017 (KR) 30-2017-0039041

(51) **LOC (12) Cl.** **14-02**

(52) **U.S. Cl.**
USPC **D14/314; D14/203.6; D14/496**

(58) **Field of Classification Search**
USPC D14/125, 137, 140–140.9, 155, 167, 168, D14/172, 188, 194, 203.1–203.8, 204,
(Continued)

(56) **References Cited**

U.S. PATENT DOCUMENTS

D224,233 S * 7/1972 Fujita D14/371
D225,866 S * 1/1973 Fujita D14/162
(Continued)

FOREIGN PATENT DOCUMENTS

CN 301384976 S 11/2010
CN 301384977 S 11/2010
(Continued)

OTHER PUBLICATIONS

“Japan’s answer to the Amazon Echo comes in ‘bear’ or ‘chicken’,” Line FACE Smart Display pictured therein, The Verge online, post date Jun. 15, 2017, URL: <https://www.theverge.com/2017/6/15/15807288/line-smart-speaker-digital-assistant-cartoon>, retrieved May 23, 2019.*

(Continued)

Primary Examiner — Jeffrey D Asch

Assistant Examiner — Rebekah A Caruso

(74) *Attorney, Agent, or Firm* — Harness, Dickey & Pierce, P.L.C.

(57) **CLAIM**

I claim the ornamental design for an artificial intelligence platform device, as shown and described.

DESCRIPTION

FIG. 1 is a perspective view of the artificial intelligence platform device showing my new design.

FIG. 2 is a front view of the artificial intelligence platform device shown in FIG. 1.

FIG. 3 is a back view of the artificial intelligence platform device shown in FIG. 1.

FIG. 4 is a left view of the artificial intelligence platform device shown in FIG. 1.

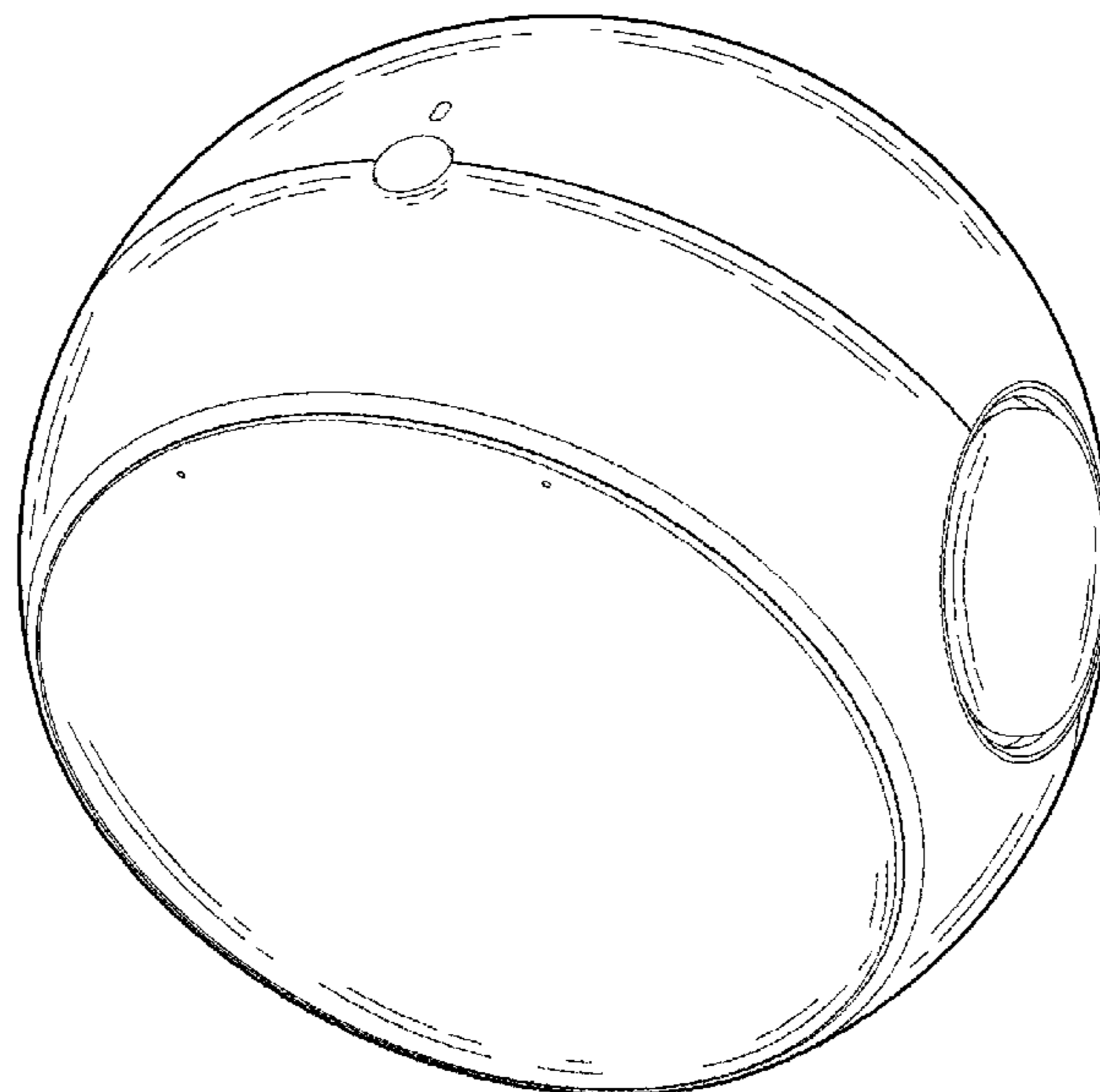
FIG. 5 is a right view of the artificial intelligence platform device shown in FIG. 1.

FIG. 6 is a top view of the artificial intelligence platform device shown in FIG. 1; and,

FIG. 7 is a bottom view of the artificial intelligence platform device shown in FIG. 1.

The broken lines showing interior features visible through the vent opening around the bottom and the port openings at the bottom rear show portions of the artificial intelligence platform device which form no part of the claimed design.

1 Claim, 7 Drawing Sheets



(58) **Field of Classification Search**

USPC D14/207, 209.1, 216, 217, 221, 238.1,
 D14/239, 240, 242, 299, 348, 349,
 D14/356-358, 432, 433, 474, 496, 497;
 D10/104.1, 106.1-106.9; D13/108, 110,
 D13/123, 158, 162, 168, 184; D21/333,
 D21/483, 513; D16/201-203
 CPC H04L 12/00; H03K 17/00; H04W 88/00;
 H04W 88/02; H04W 88/04; H04W 88/05;
 H04W 88/08; H04W 88/085; H04W
 88/10; H04W 88/12; H04W 88/16; H04B
 1/38; G10H 1/361; H04R 5/00; H04R
 1/02; H04R 1/04; H04R 1/08

See application file for complete search history.

(56) **References Cited**

U.S. PATENT DOCUMENTS

D276,703 S * 12/1984 Au D10/15
 D510,926 S * 10/2005 Jerome D14/168
 D514,548 S * 2/2006 Chan D14/216
 D540,291 S * 4/2007 Heath D14/137
 D541,228 S * 4/2007 Thursfield D13/168
 D599,820 S * 9/2009 Su D14/496
 D606,515 S * 12/2009 Ludlum D14/207
 D659,680 S * 5/2012 Kim D14/216
 D692,547 S * 10/2013 Wirz D23/366
 D696,298 S * 12/2013 Britt, Jr. D14/496
 D701,831 S * 4/2014 Park D13/108
 D711,351 S * 8/2014 Breines D14/215
 D749,661 S * 2/2016 Yang D16/203
 D756,326 S * 5/2016 Holzer D14/171
 D756,811 S * 5/2016 Xiao D10/52

D771,142 S 11/2016 Langhammer et al.
 D772,968 S * 11/2016 Lee D16/225
 D781,274 S * 3/2017 Kim D14/242
 D783,002 S * 4/2017 Pool D14/218
 D789,906 S 6/2017 Zhang
 D793,869 S * 8/2017 Jeon D10/2
 D811,392 S * 2/2018 Lu D14/358
 D817,374 S * 5/2018 Liu D15/199
 D829,688 S * 10/2018 Tanaka D14/216
 D836,569 S * 12/2018 Kim D13/168
 D866,519 S * 11/2019 Yanjie D14/216
 D881,967 S * 4/2020 Zhang D16/203
 2017/0251314 A1* 8/2017 Pye, Jr. H04R 27/00

FOREIGN PATENT DOCUMENTS

CN 303792258 S 8/2016
 JP D1536726 S 11/2015
 JP D1566647 S 1/2017
 KR 30-0385662 7/2005

OTHER PUBLICATIONS

<<https://www.ipglab.com/2017/03/01/mwc-2017-line-announces-conversational-ai-assistant-service-clova/>> Date of Disclosure: Mar. 1, 2017.
 <http://news.newsway.co.kr/view.php?tp=1&ud=2017061519052448026&md=20170615191814_AO> Date of Disclosure: Jun. 15, 2017.
 <<http://post.naver.com/viewer/postView.nhn?volumeNo=9051566&memberNo=222863&vType=VERTICAL>> Date of Disclosure: Aug. 9, 2017.

* cited by examiner

Fig. 1

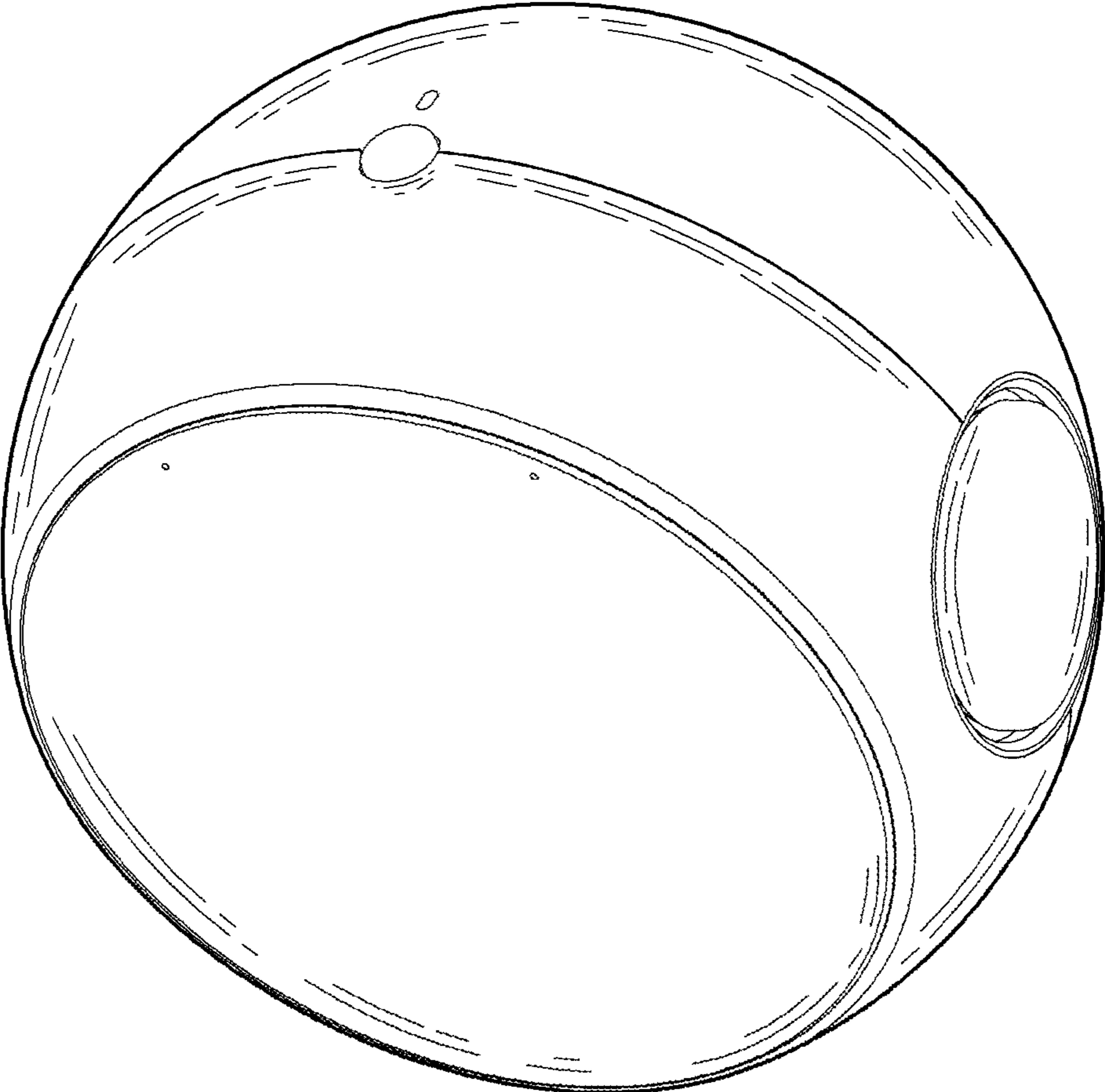


Fig. 2

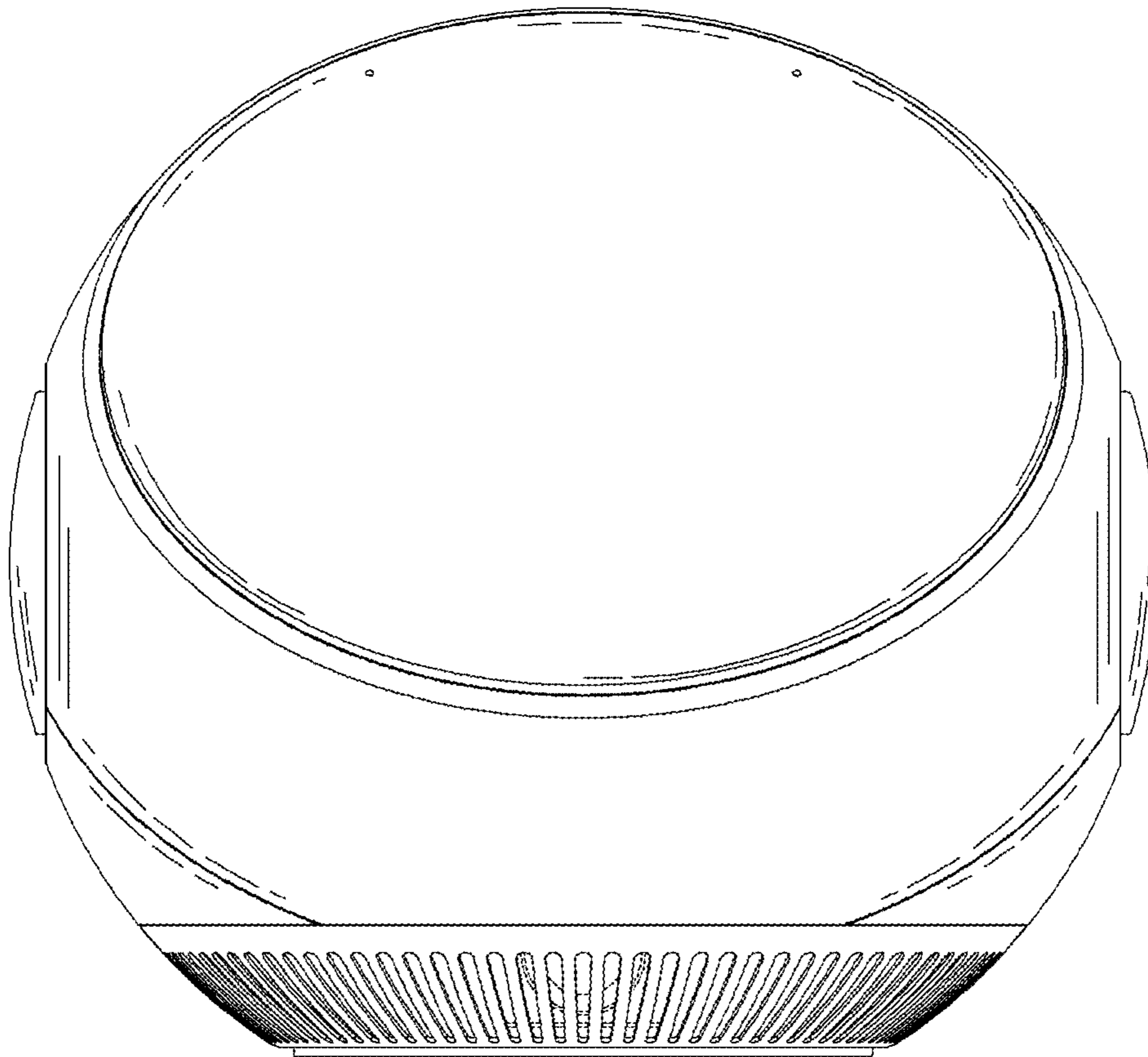


Fig. 3

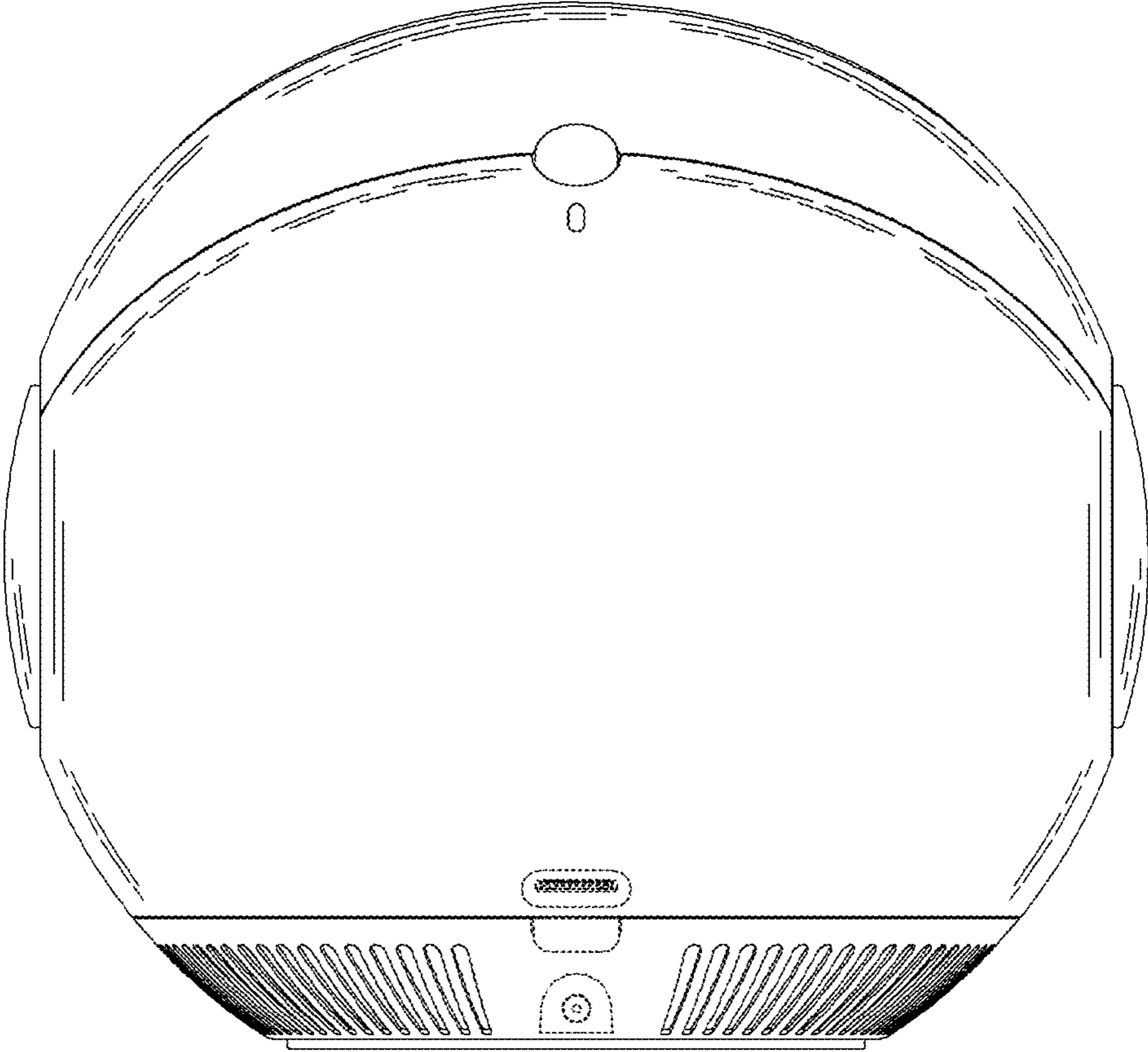


Fig. 4

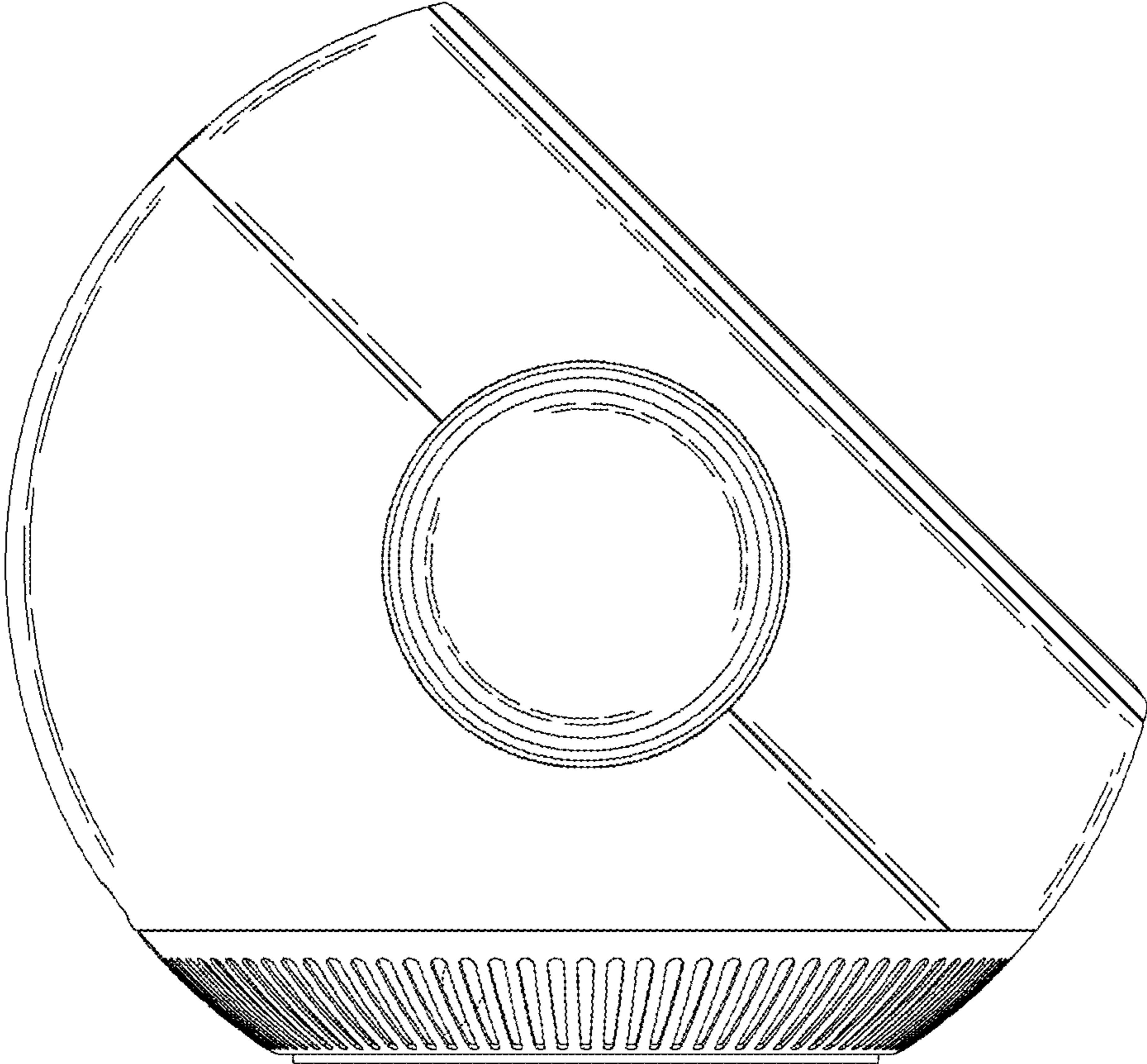


Fig. 5

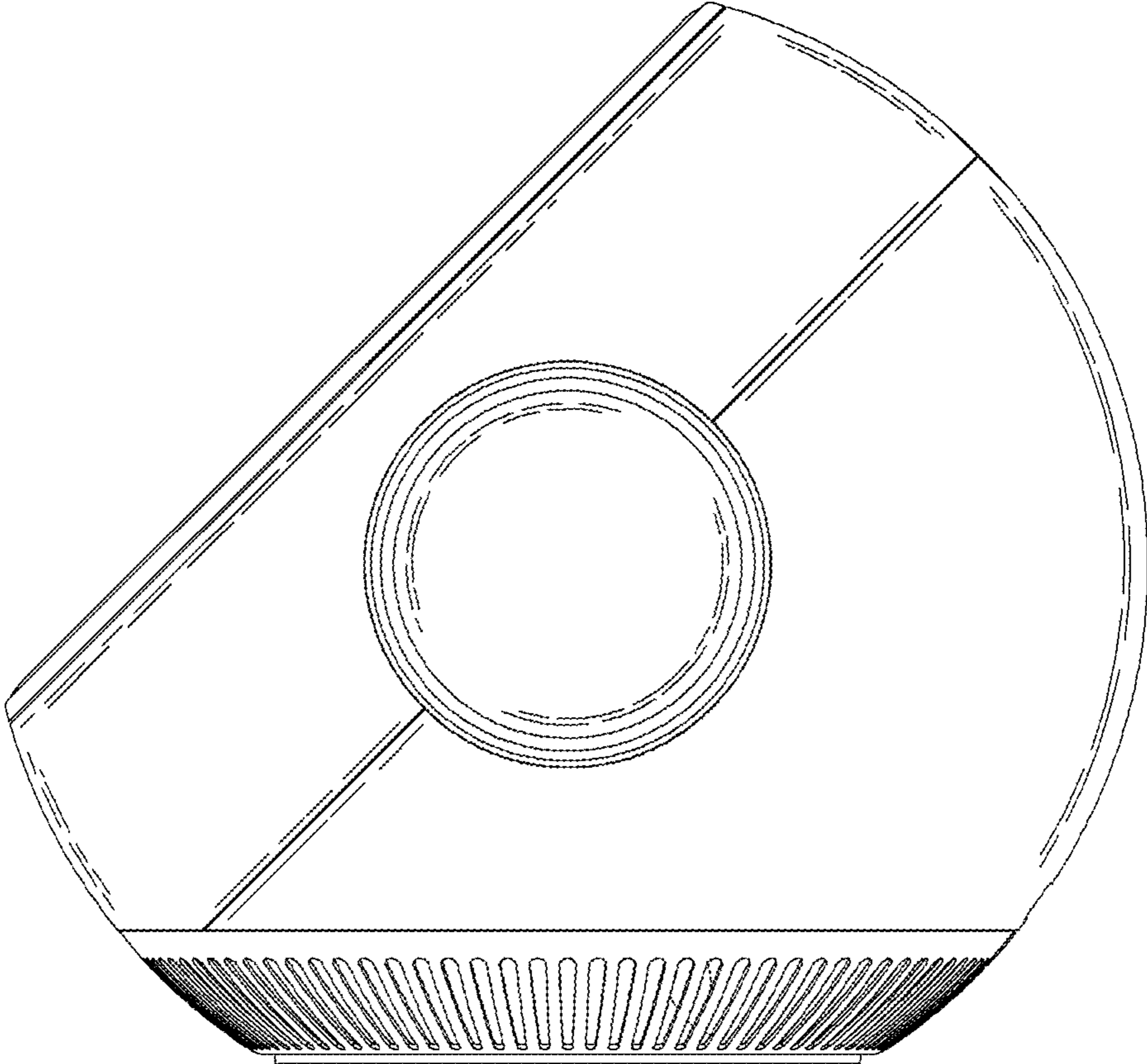


Fig. 6

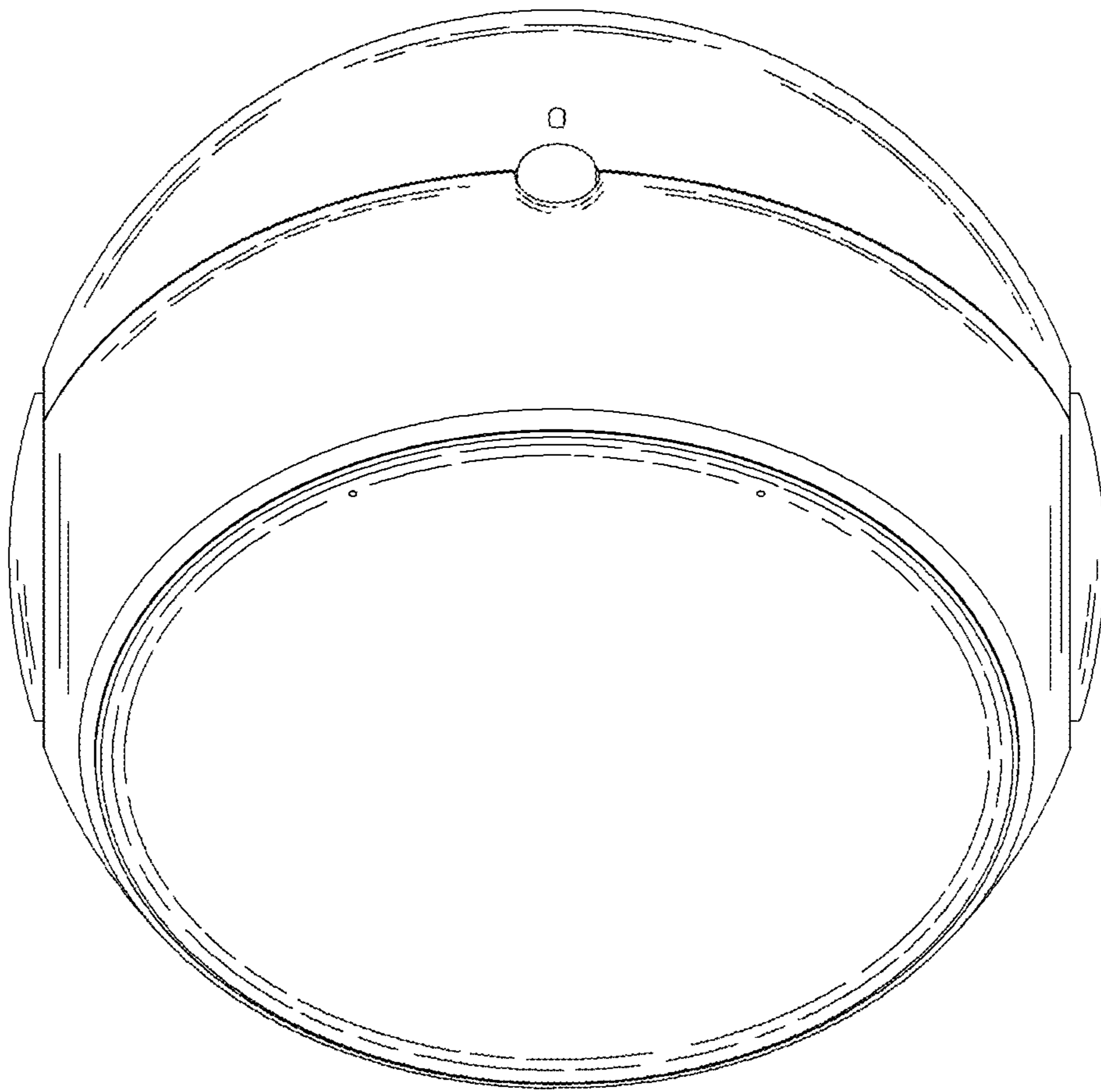


Fig. 7

