



US00D896806S

(12) **United States Design Patent** (10) **Patent No.:** **US D896,806 S**  
**Zheng et al.** (45) **Date of Patent:** **\*\* Sep. 22, 2020**

(54) **PAYMENT MACHINE**  
(71) Applicant: **ALIBABA GROUP HOLDING LIMITED**, Grand Cayman (KY)  
(72) Inventors: **Kunkun Zheng**, Hangzhou (CN); **Huanmi Yin**, Hangzhou (CN)  
(73) Assignee: **ALIBABA GROUP HOLDING LIMITED**, Grand Cayman (KY)

D781,843 S \* 3/2017 Horn, II ..... D14/307  
D782,467 S \* 3/2017 Bladwell ..... D14/307  
D783,596 S \* 4/2017 Payne ..... D14/307  
D815,629 S \* 4/2018 Jones, Sr. .... D14/307  
D836,099 S \* 12/2018 Vaananen ..... D14/307  
D850,438 S \* 6/2019 Koenigs knecht ..... D14/307  
D853,378 S \* 7/2019 Vaananen ..... D14/307  
D868,055 S \* 11/2019 Benic ..... D14/307  
D870,721 S \* 12/2019 Vasi ..... D14/307  
D884,694 S \* 5/2020 Mangeot ..... D14/307  
D886,096 S \* 6/2020 Mangeot ..... D14/307

(\*\*) Term: **15 Years**  
(21) Appl. No.: **29/689,822**

\* cited by examiner  
*Primary Examiner* — Austin Murphy

(22) Filed: **May 2, 2019**  
(30) **Foreign Application Priority Data**

Nov. 6, 2018 (CN) ..... 2018 3 0625071  
(51) **LOC (12) Cl.** ..... **14-02**  
(52) **U.S. Cl.**  
USPC ..... **D14/307**  
(58) **Field of Classification Search**  
USPC ..... D14/302-307, 900-902; D13/163;  
D20/10; D21/332, 325, 369, 370;  
D99/28; D6/397, 466; 194/206;  
361/679.01, 679.02, 679.04, 679.21,  
361/679.57, 725  
CPC ..... G06Q 20/18; G06Q 20/10; G06Q 20/123;  
G06Q 20/20; G06Q 30/02; G06Q 30/06;  
A47F 9/047  
See application file for complete search history.

(57) **CLAIM**

The ornamental design for a payment machine, as shown and described.

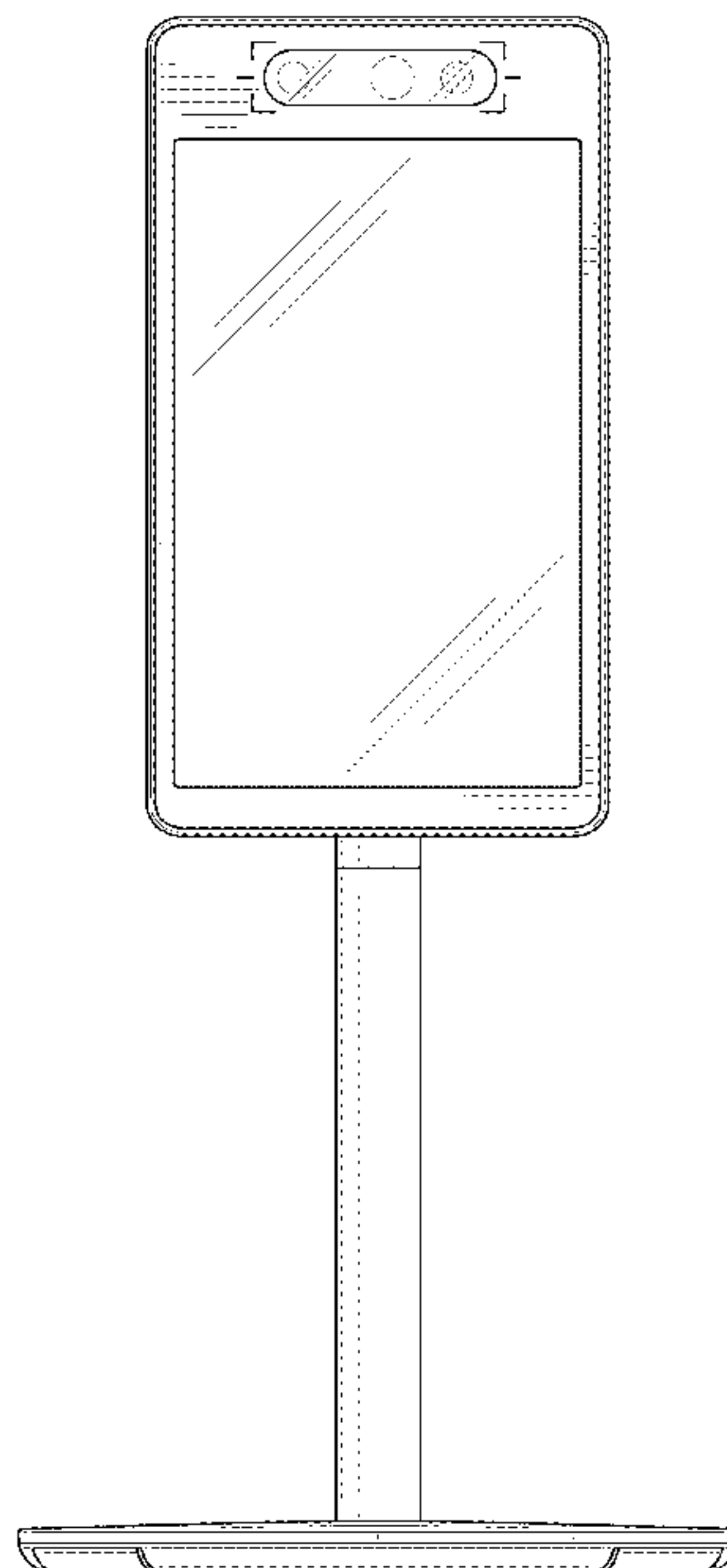
**DESCRIPTION**

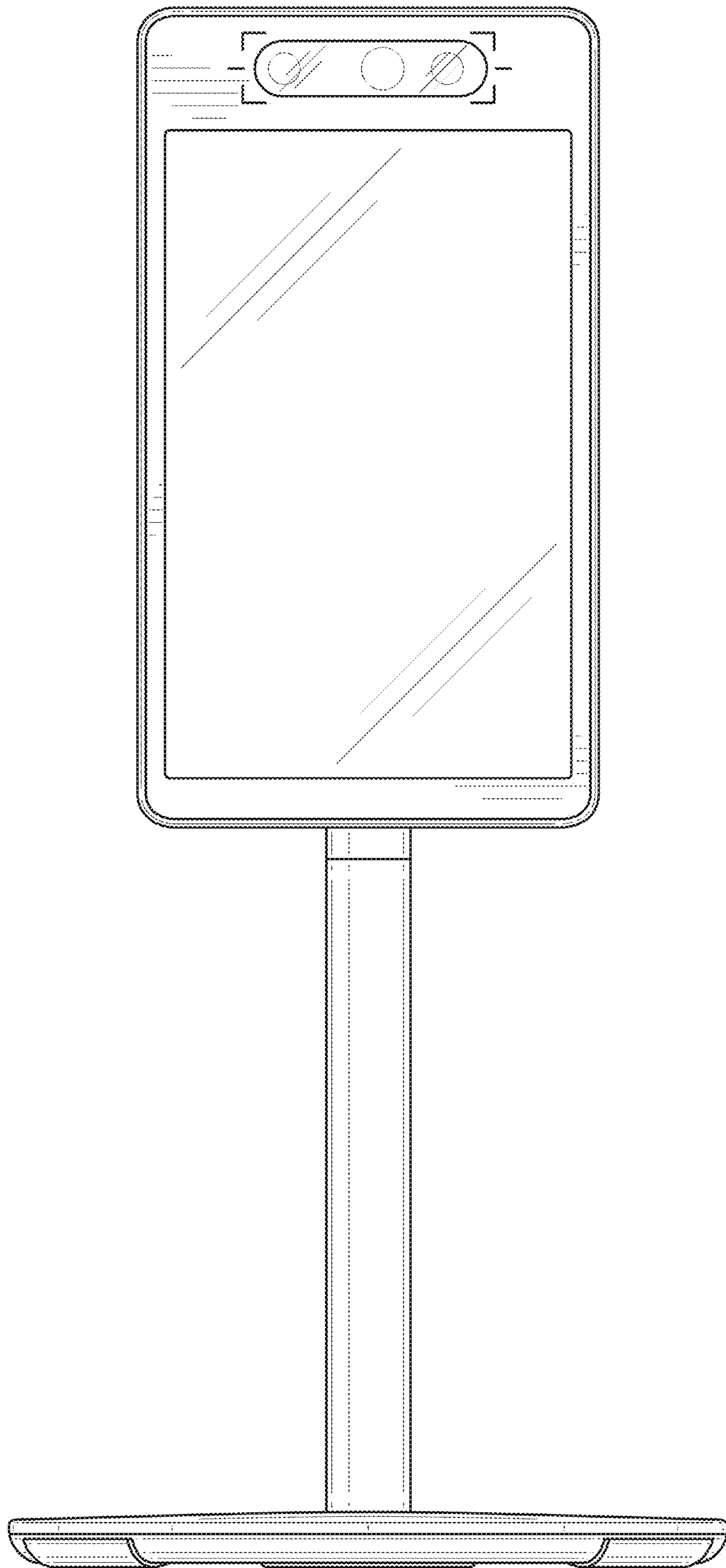
FIG. 1 is a front view showing an embodiment of the payment machine;  
FIG. 2 is a rear view thereof;  
FIG. 3 is a left-side view thereof;  
FIG. 4 is a right-side view thereof;  
FIG. 5 is a top view thereof;  
FIG. 6 is a bottom view thereof;  
FIG. 7 is a front-right perspective view thereof; and,  
FIG. 8 is a rear-left perspective view thereof.  
The broken lines in FIGS. 1-8 illustrate portions of the payment machine that are not part of the claimed design. Any shading and cross-hatching are not features of the design but are utilized to illustrate the surface contours of the payment machine in the drawings.

(56) **References Cited**  
U.S. PATENT DOCUMENTS

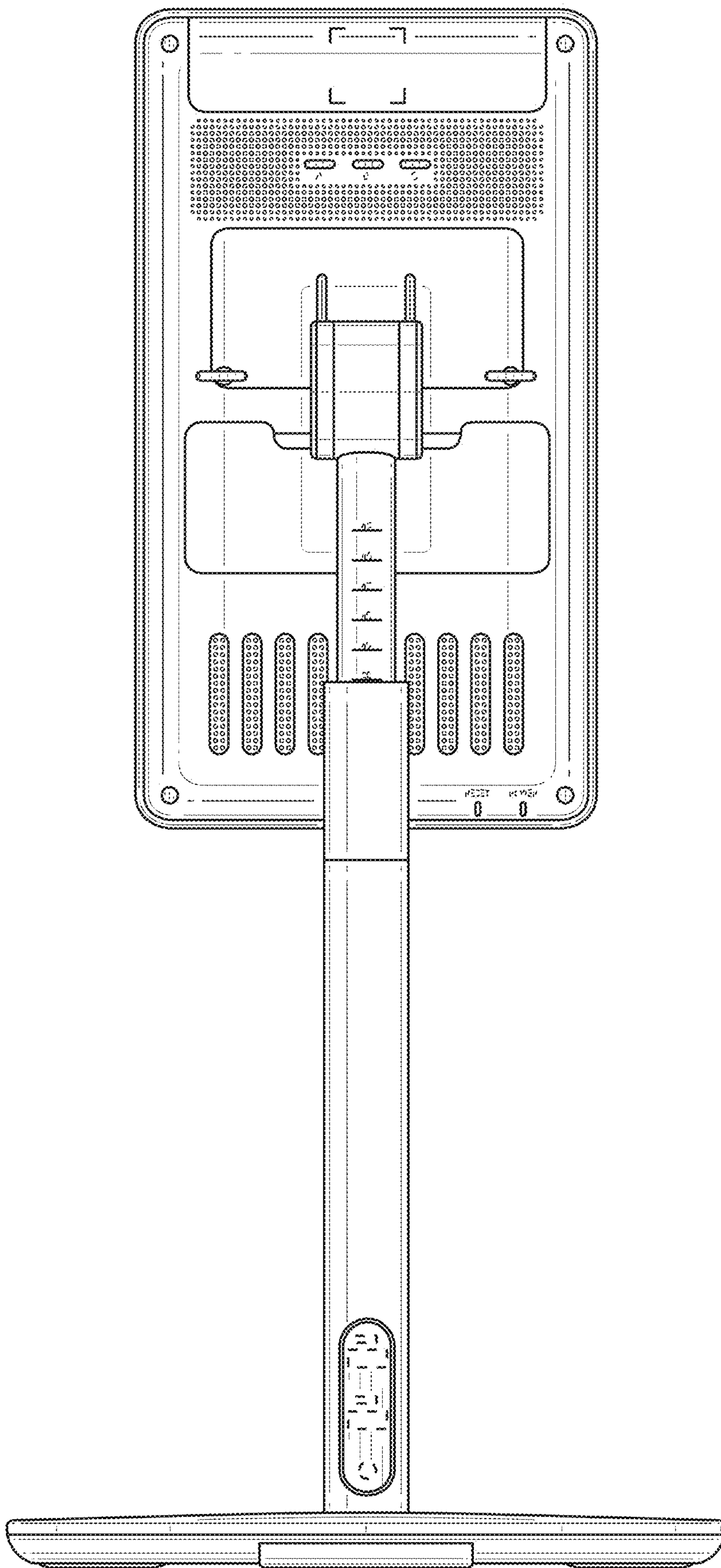
D639,800 S \* 6/2011 Magruder ..... D14/307  
D775,622 S \* 1/2017 Fu ..... D14/307

**1 Claim, 8 Drawing Sheets**

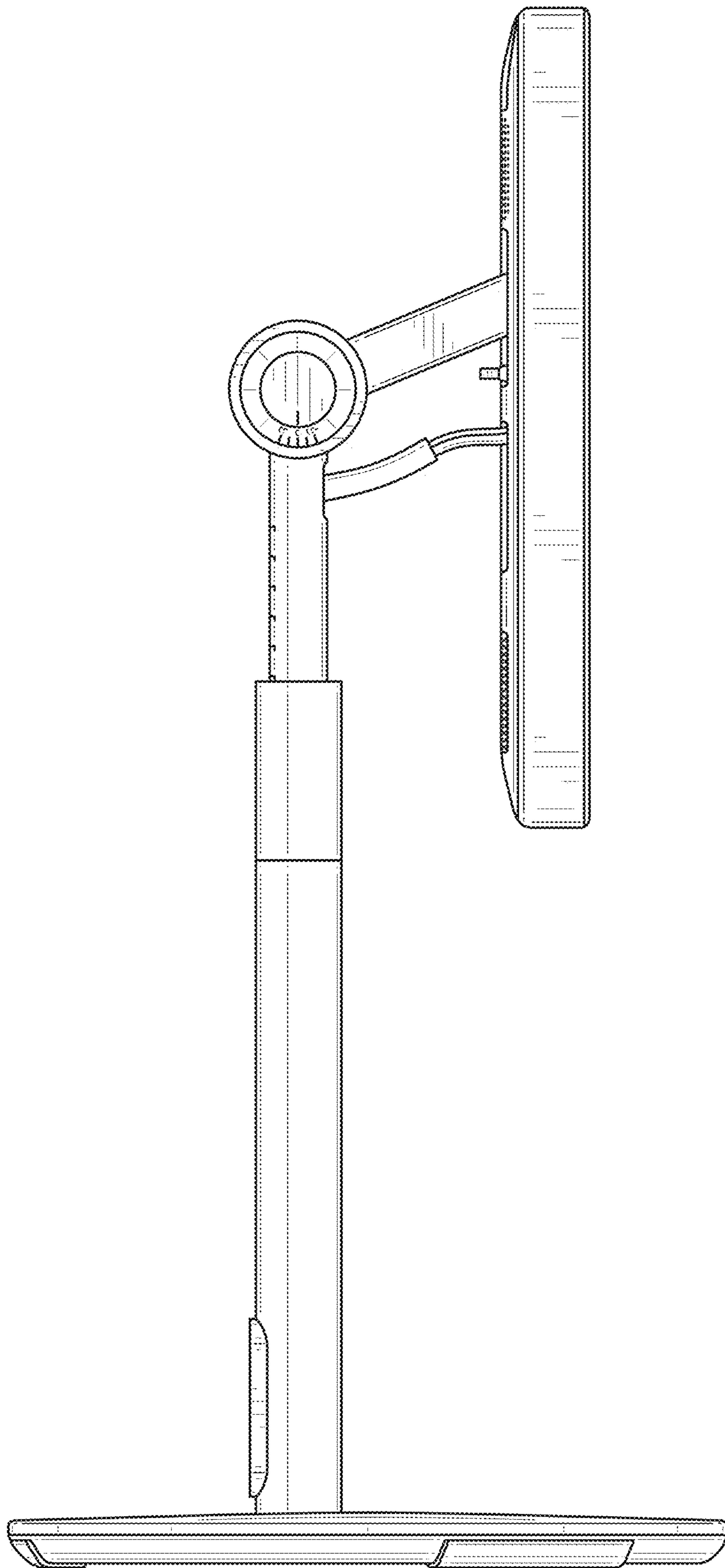




**FIG. 1**

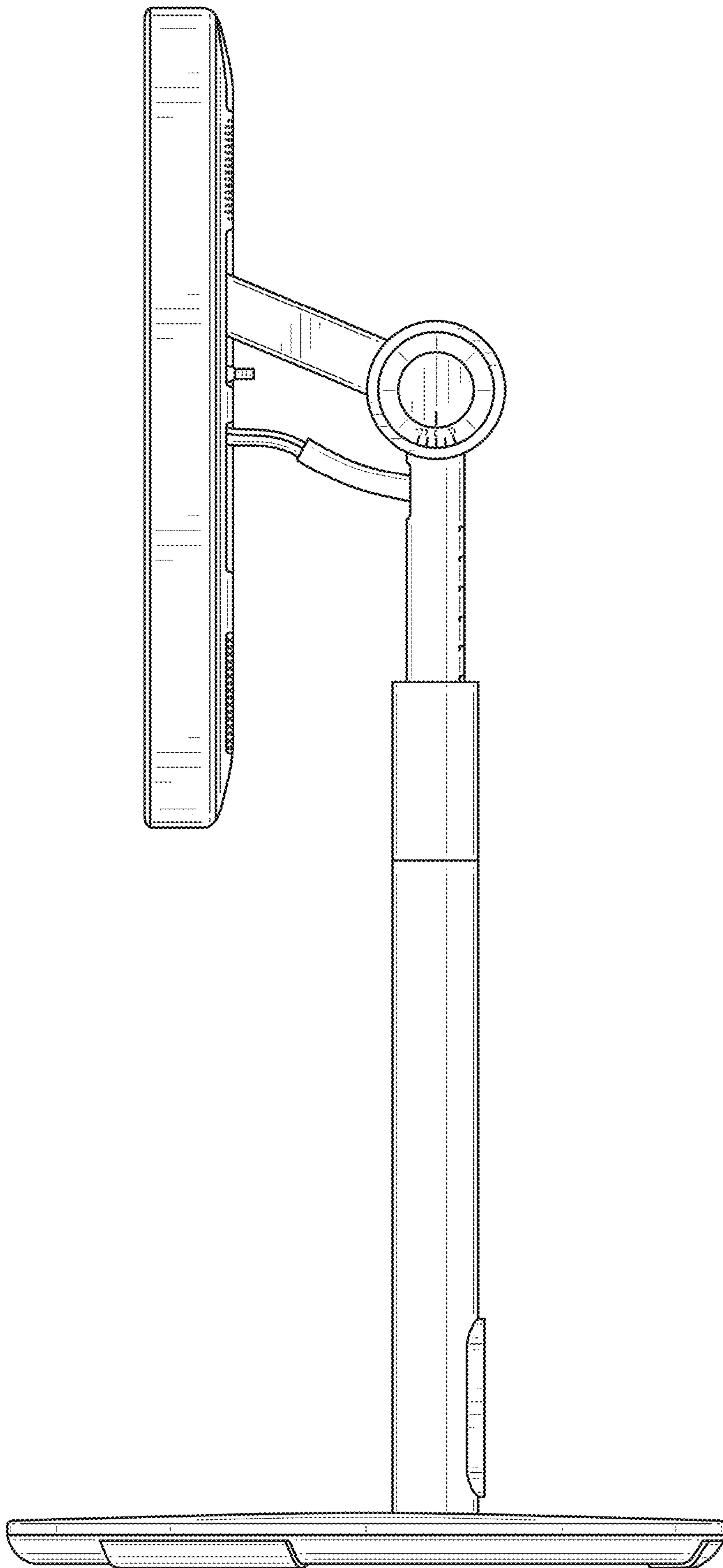


**FIG. 2**

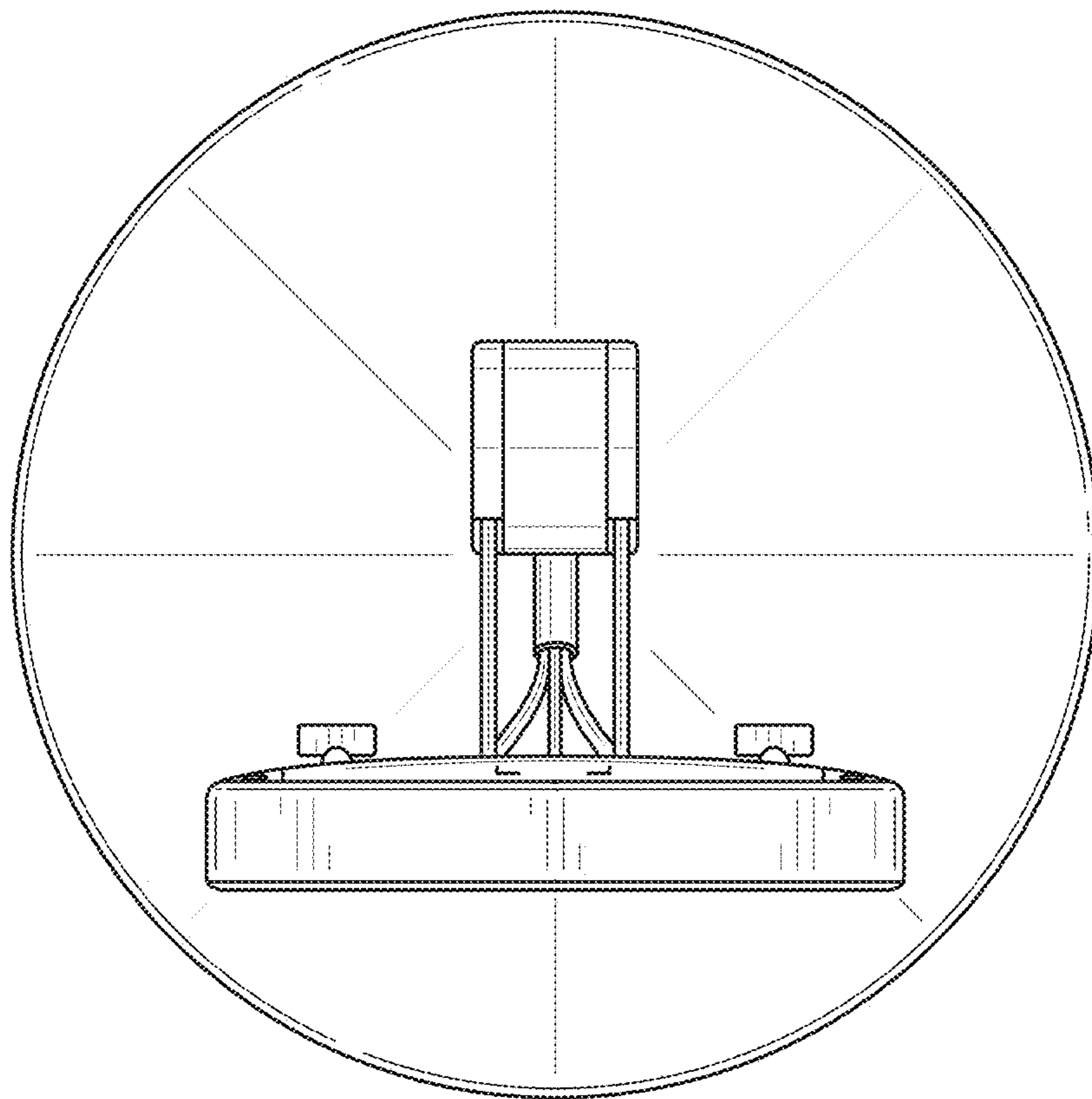


**FIG. 3**

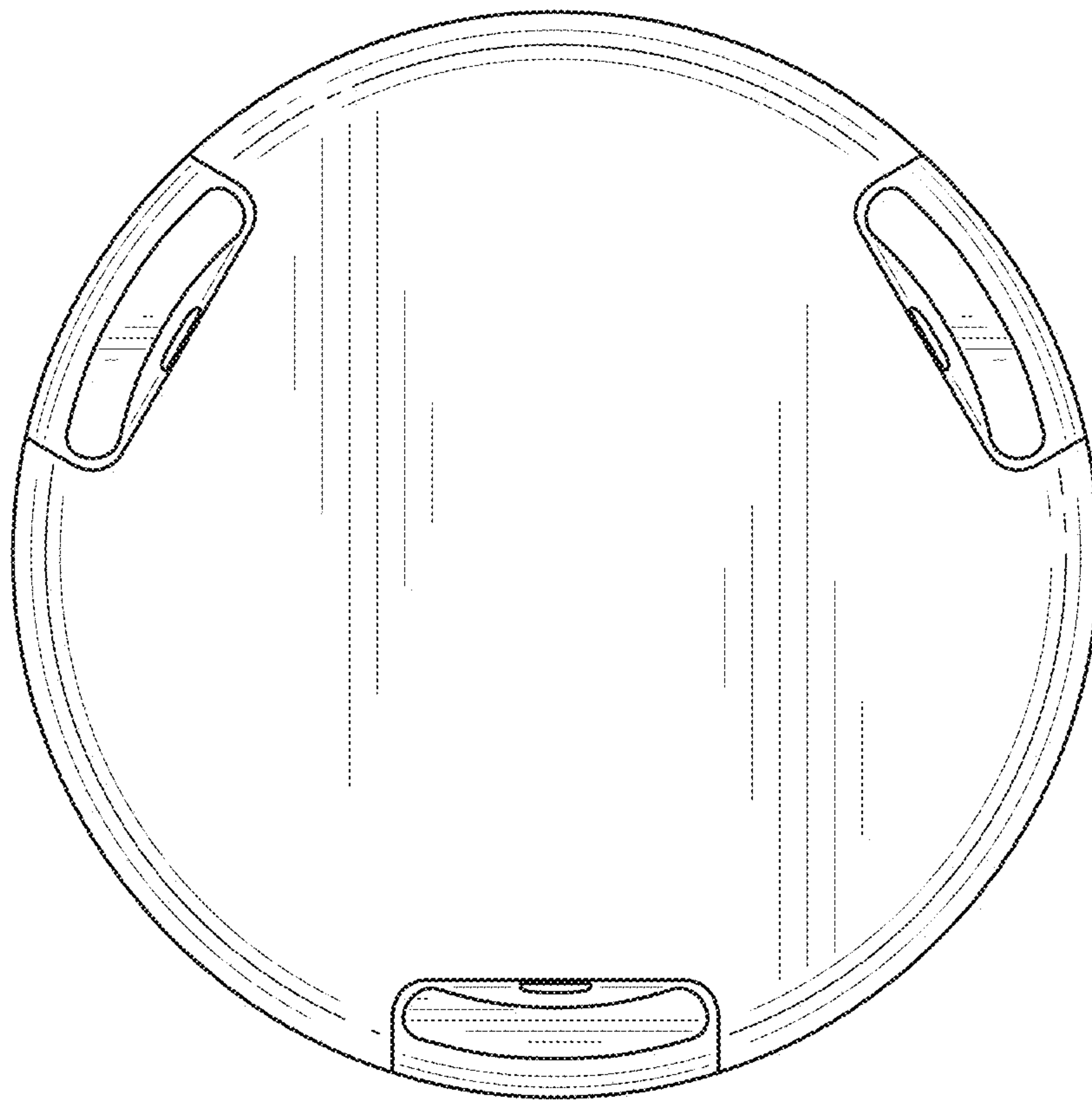




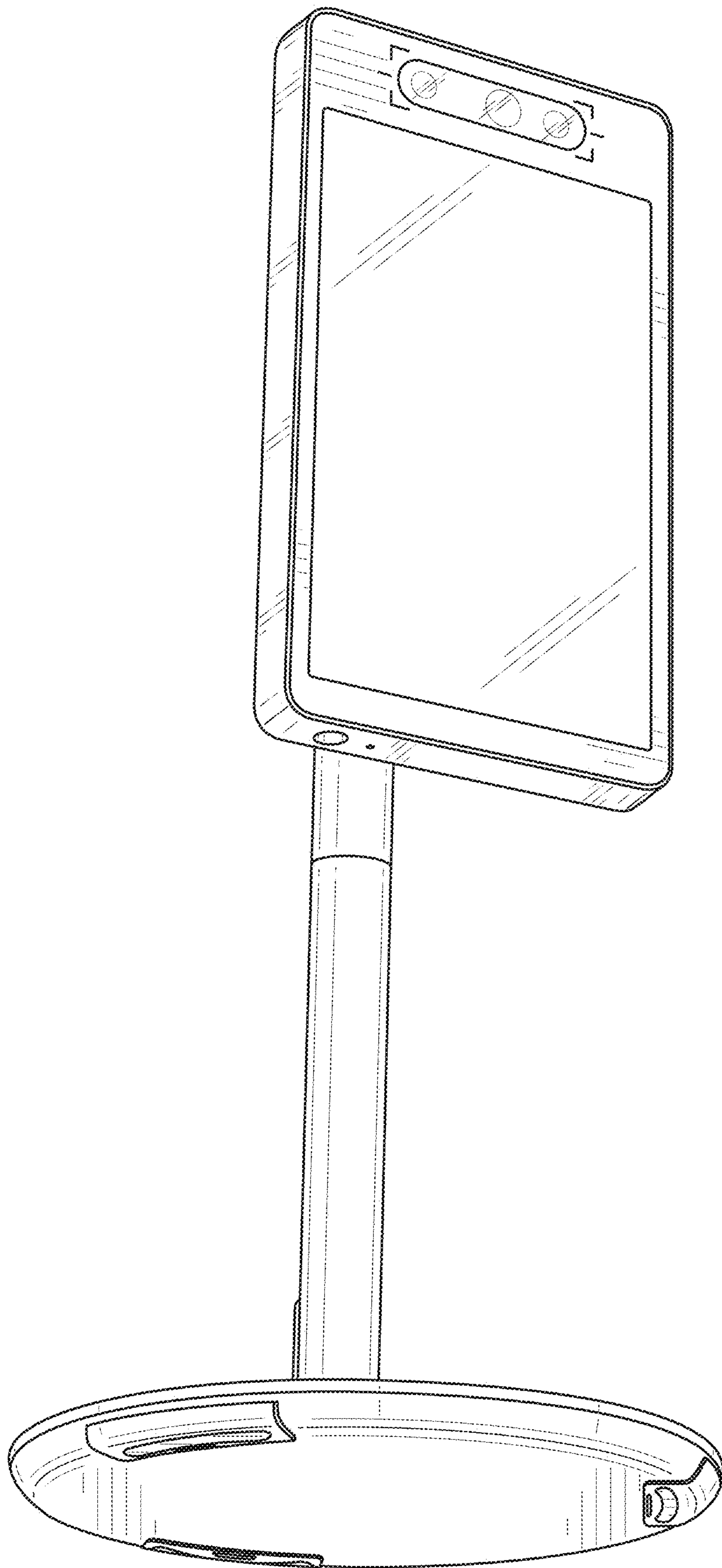
**FIG. 4**



**FIG. 5**

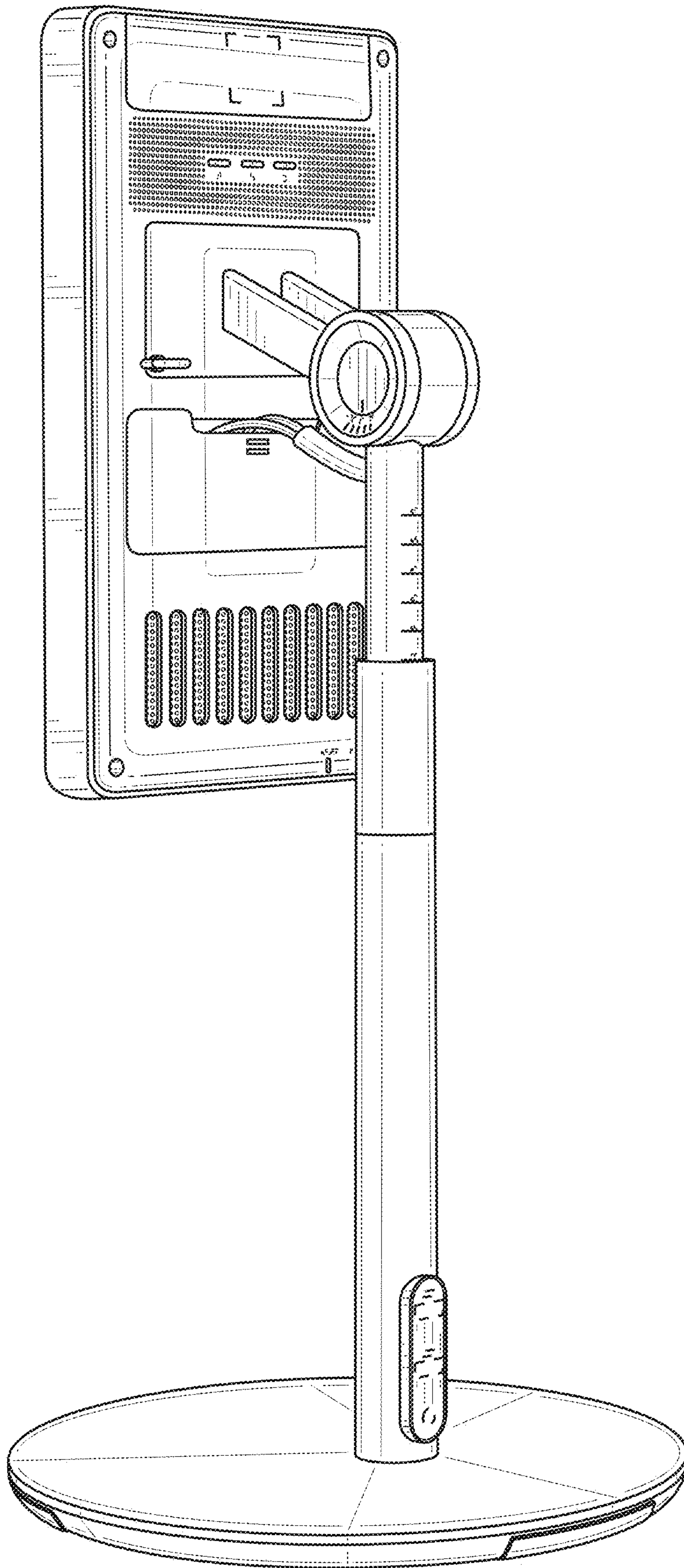


**FIG. 6**



**FIG. 7**





**FIG. 8**