



US00D896805S

(12) **United States Design Patent** (10) **Patent No.:** **US D896,805 S**
Stagge (45) **Date of Patent:** **** *Sep. 22, 2020**

(54) **ATTACHABLE ACCESSORY FOR A HANDHELD DEVICE**

(71) Applicant: **Scooch, LLC**, Noblesville, IN (US)

(72) Inventor: **John Stagge**, Noblesville, IN (US)

(73) Assignee: **Scooch, LLC**, Noblesville, IN (US)

(*) Notice: This patent is subject to a terminal disclaimer.

(**) Term: **15 Years**

(21) Appl. No.: **29/723,566**

(22) Filed: **Feb. 7, 2020**

Related U.S. Application Data

(63) Continuation of application No. 29/629,245, filed on Dec. 12, 2017, now Pat. No. Des. 878,350.

(51) **LOC (12) Cl.** **14-03**

(52) **U.S. Cl.**
USPC **D14/253**

(58) **Field of Classification Search**
USPC D14/251–253, 358, 432, 434, 440, 447;
D3/218; D16/242, 243; D12/415;
D13/107, 108

(Continued)

(56) **References Cited**

U.S. PATENT DOCUMENTS

D660,305 S * 5/2012 Ho D14/447
D676,037 S * 2/2013 Schupsky D14/253

(Continued)

Primary Examiner — Janice Hallmark

(74) *Attorney, Agent, or Firm* — Frost Brown Todd LLC;
Dennis S. Schell; Kevin C. Oschman

(57) **CLAIM**

The ornamental design for an attachable accessory for a handheld device, as shown and described.

DESCRIPTION

FIG. 1 is a perspective view of the front-right side of the Attachable Accessory for a Handheld Device with a bistable support member in a first position, shown attached to an illustrative handheld device;

FIG. 2 is a front view thereof with the bistable support member in the first position, shown attached to an illustrative handheld device;

FIG. 3 is a right-side view thereof with the bistable support member in the first position, shown attached to an illustrative handheld device;

FIG. 4 is a rear view thereof with the bistable support member in the first position, shown attached to an illustrative handheld device;

FIG. 5 is a bottom view thereof with the bistable support member in the first position, shown attached to an illustrative handheld device;

FIG. 6 is a perspective view of the rear-left side thereof with the bistable support member in the first position, shown unattached and separated from an illustrative handheld device;

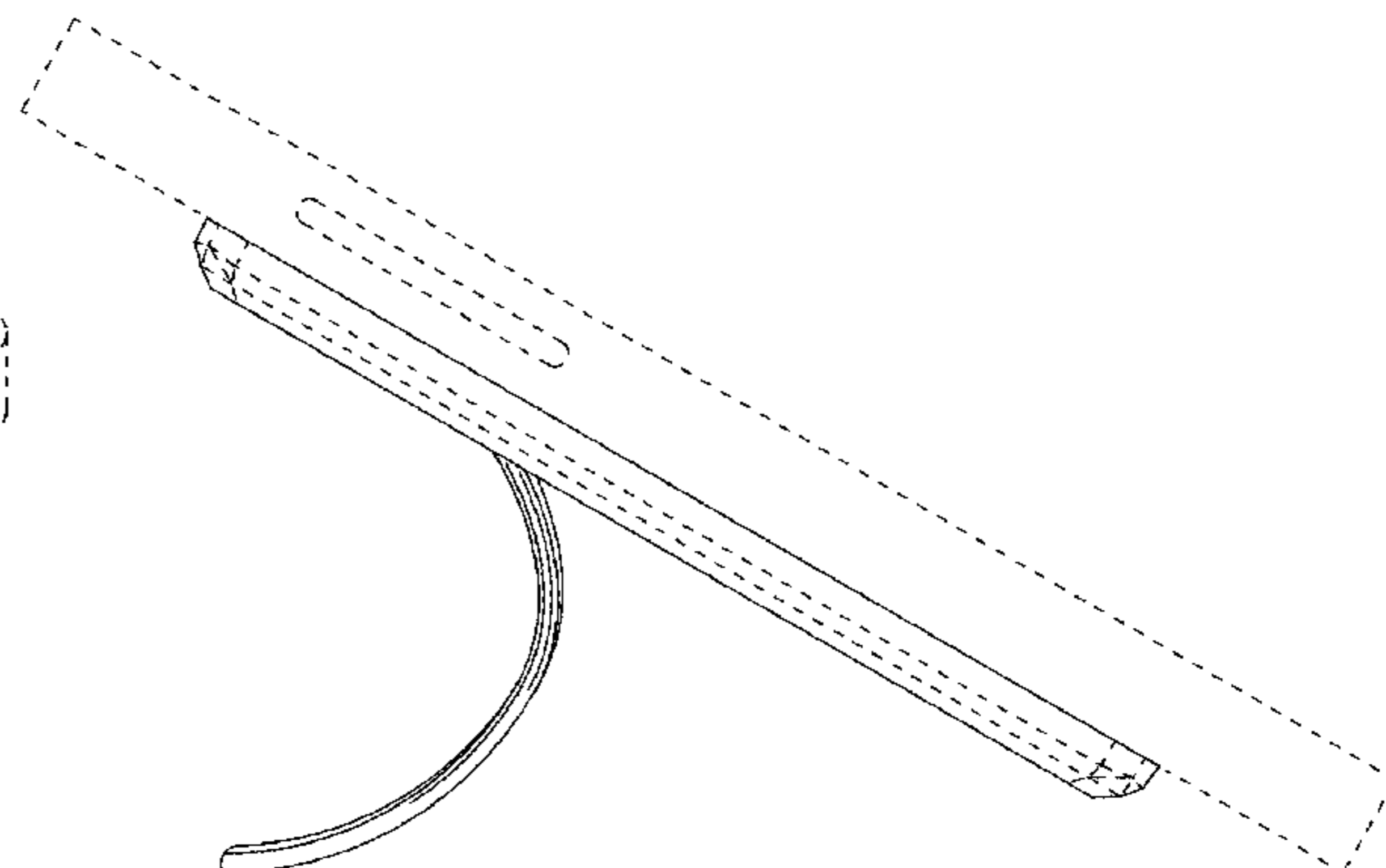
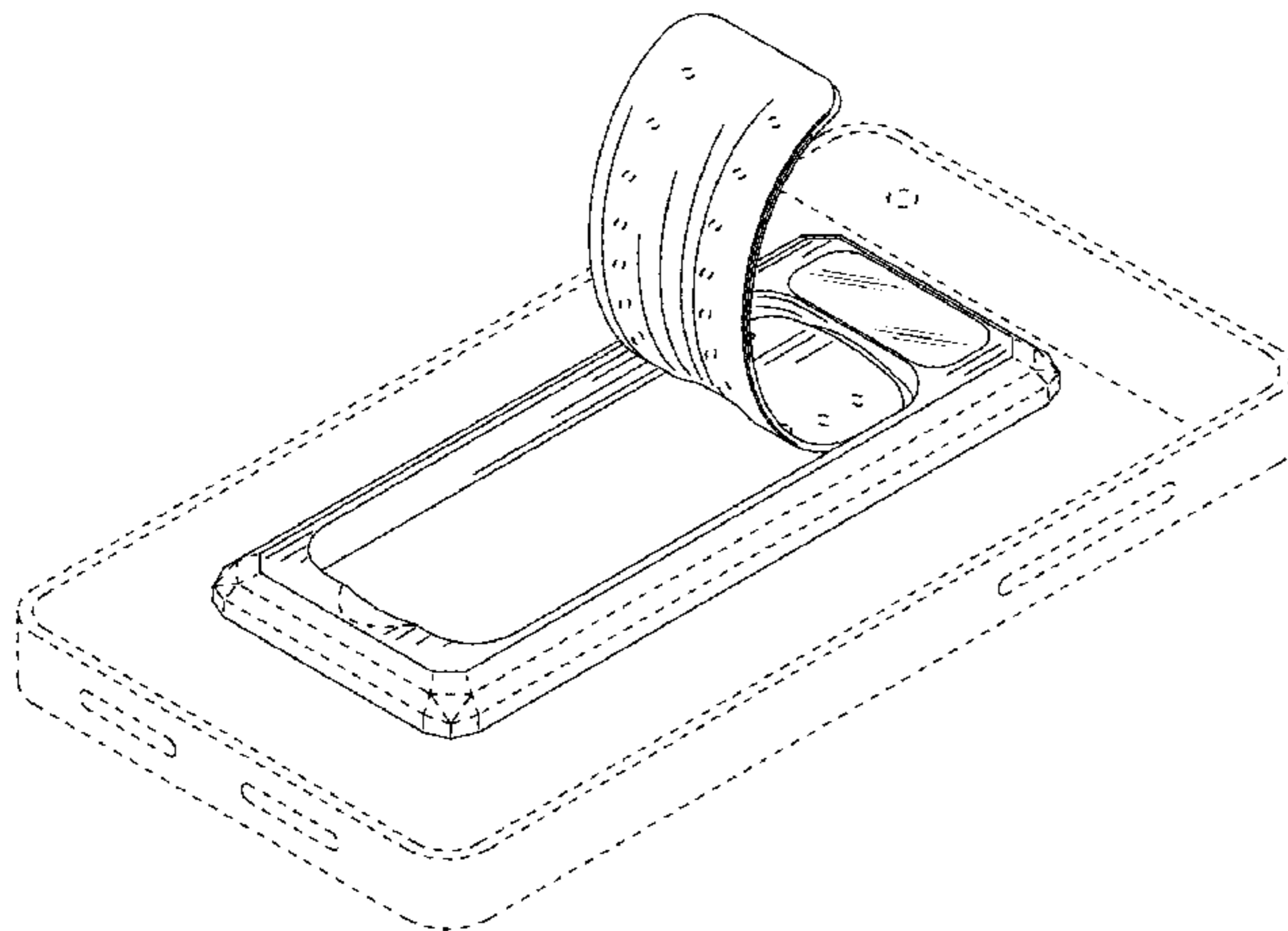
FIG. 7 is a perspective view of the front-right side thereof with the bistable support member in a second position, shown attached to an illustrative handheld device; and,

FIG. 8 is a right-side view thereof with the bistable support member in the second position, shown positioned on a surface and attached to an illustrative handheld device.

The broken lines shown in the drawings are for the purposes of illustrating portions of the article that form no part of the claimed design, or for showing the unclaimed environment of the article (e.g. attached to a handheld device such as a smartphone). The unshaded surfaces adjacent to and between solid line and broken line disclosure form no part of the claimed design. The claim is directed to shaded surfaces only.

The left-side view is a mirror image of the right-side view and is therefore omitted. Additionally, the top view is a mirror image of the bottom view and is therefore omitted. The oblique, parallel lines using the “cutting plane” line style represent a nontransparent, reflective surface.

1 Claim, 8 Drawing Sheets



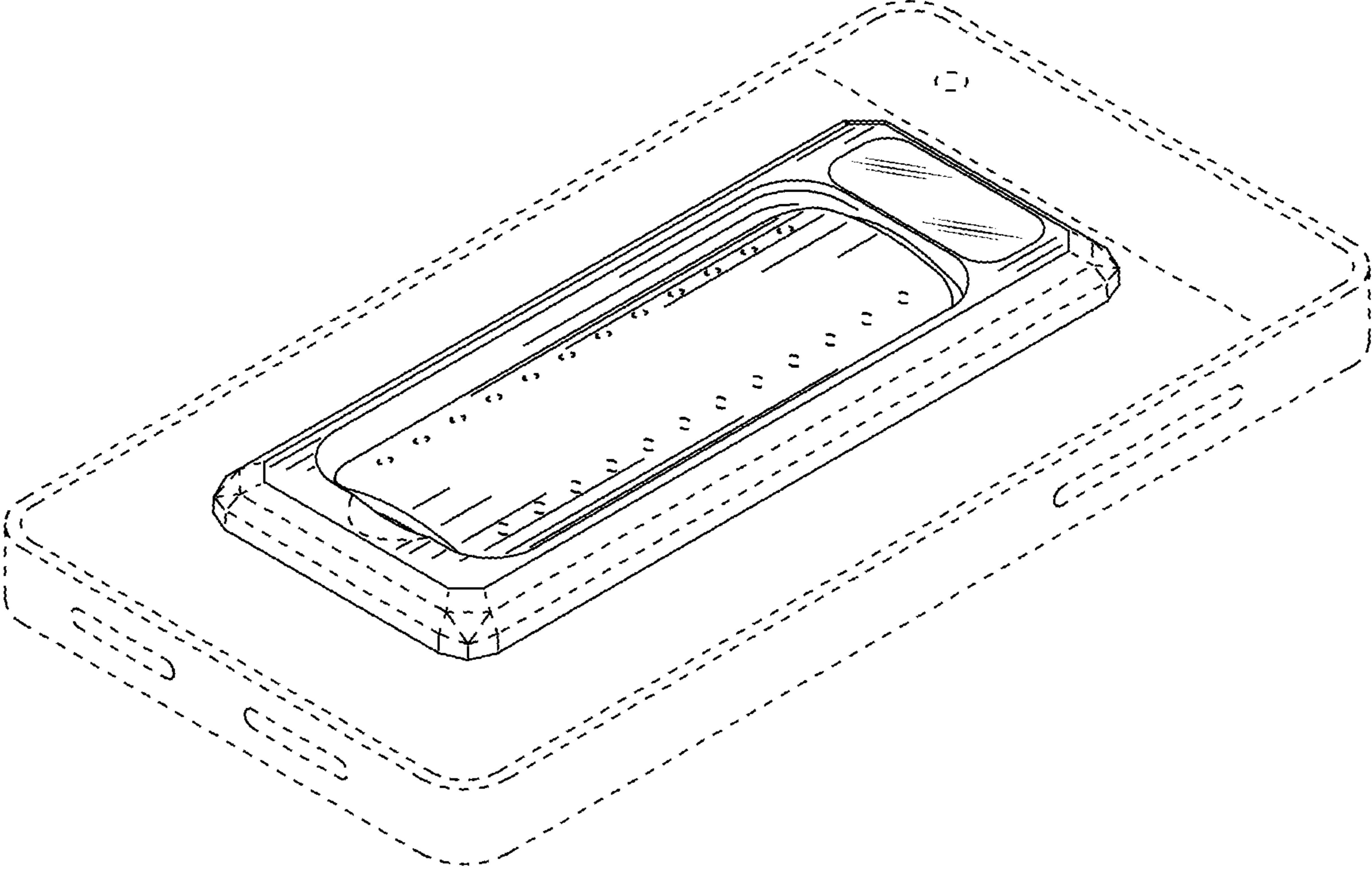


FIG. 1

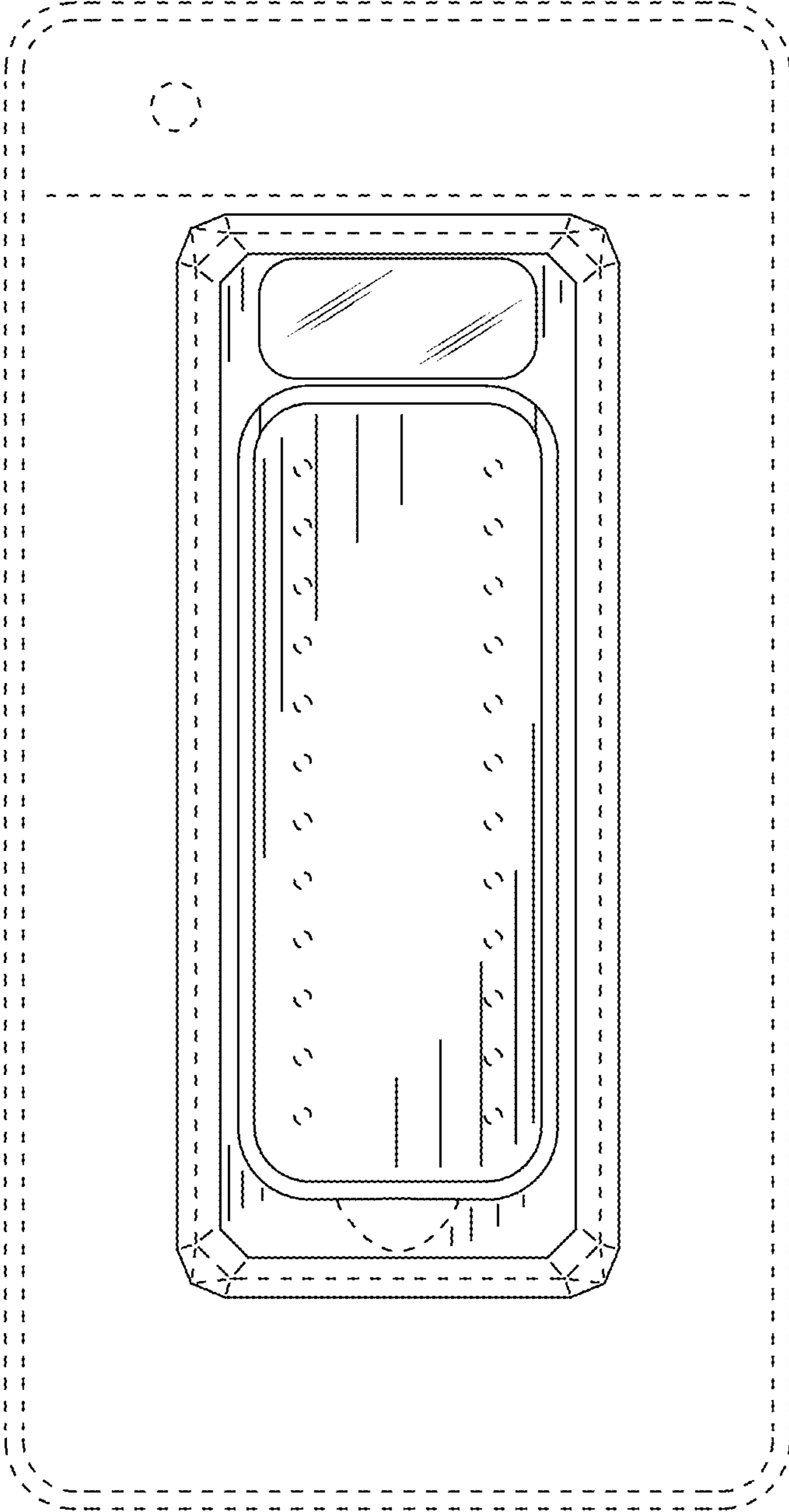


FIG. 2

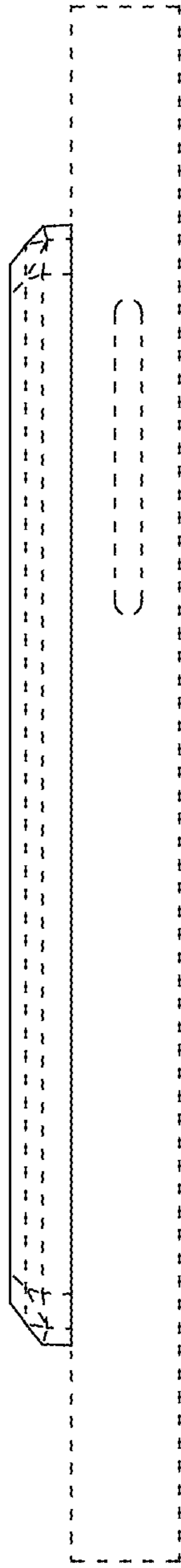


FIG. 3

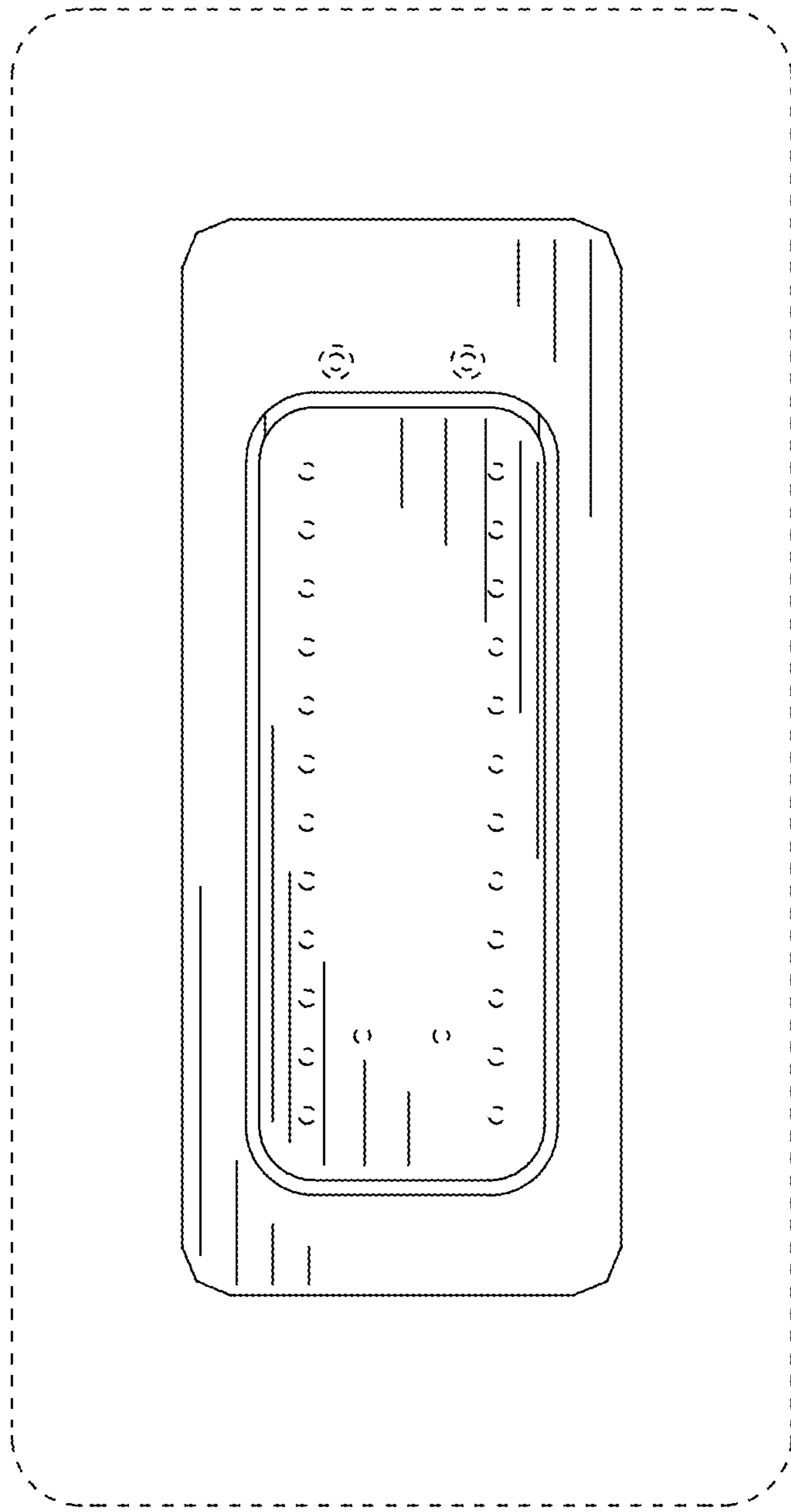


FIG. 4

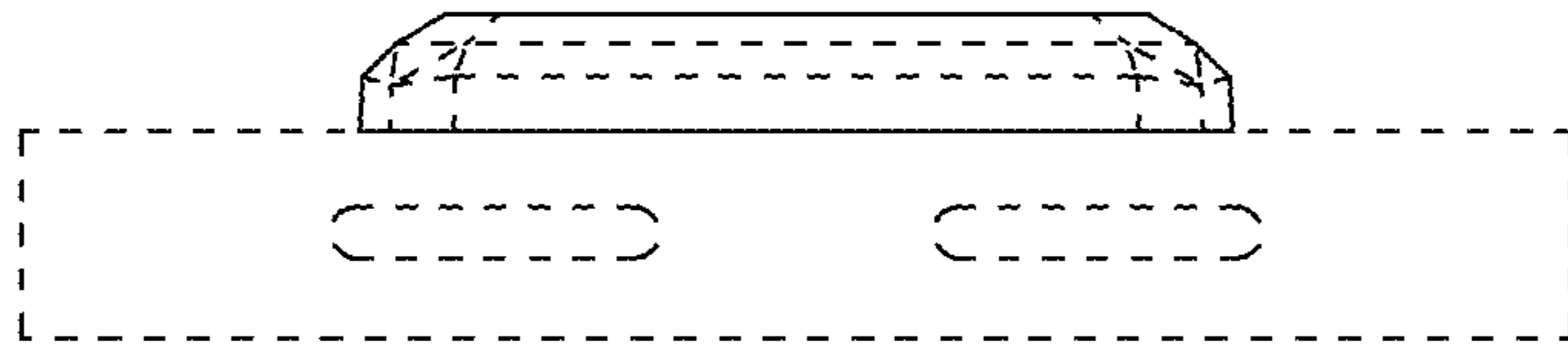


FIG. 5

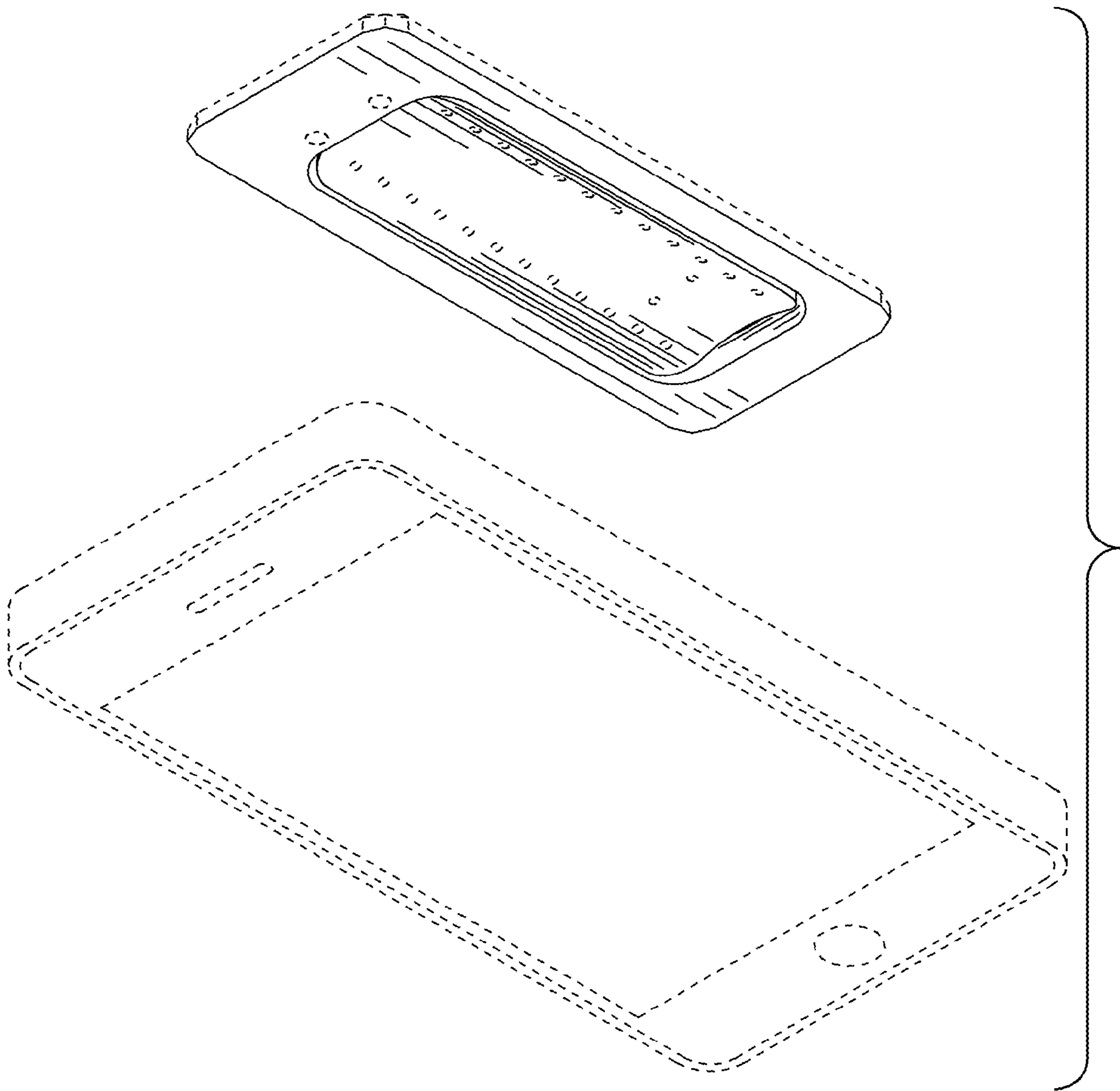


FIG. 6

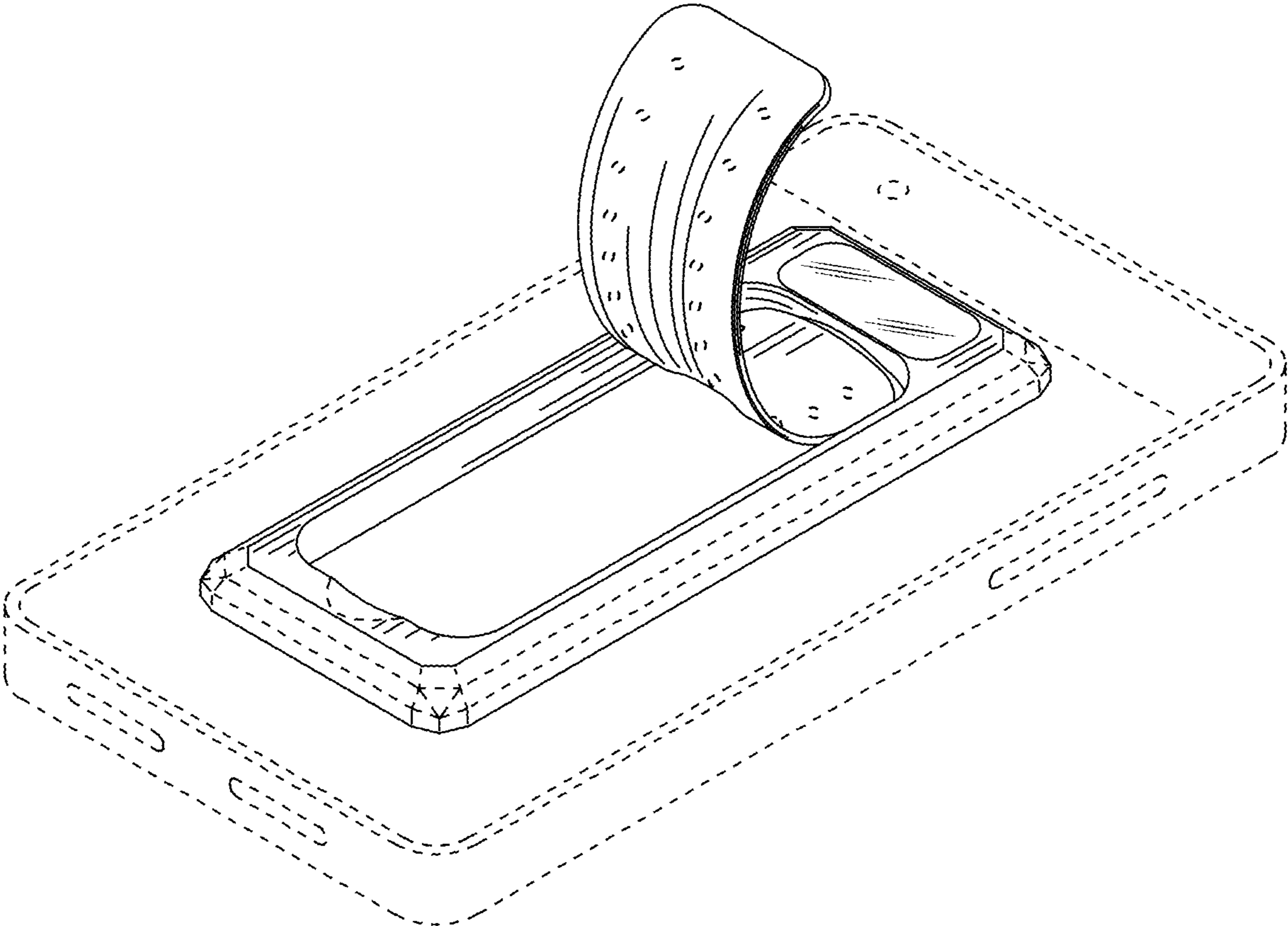


FIG. 7

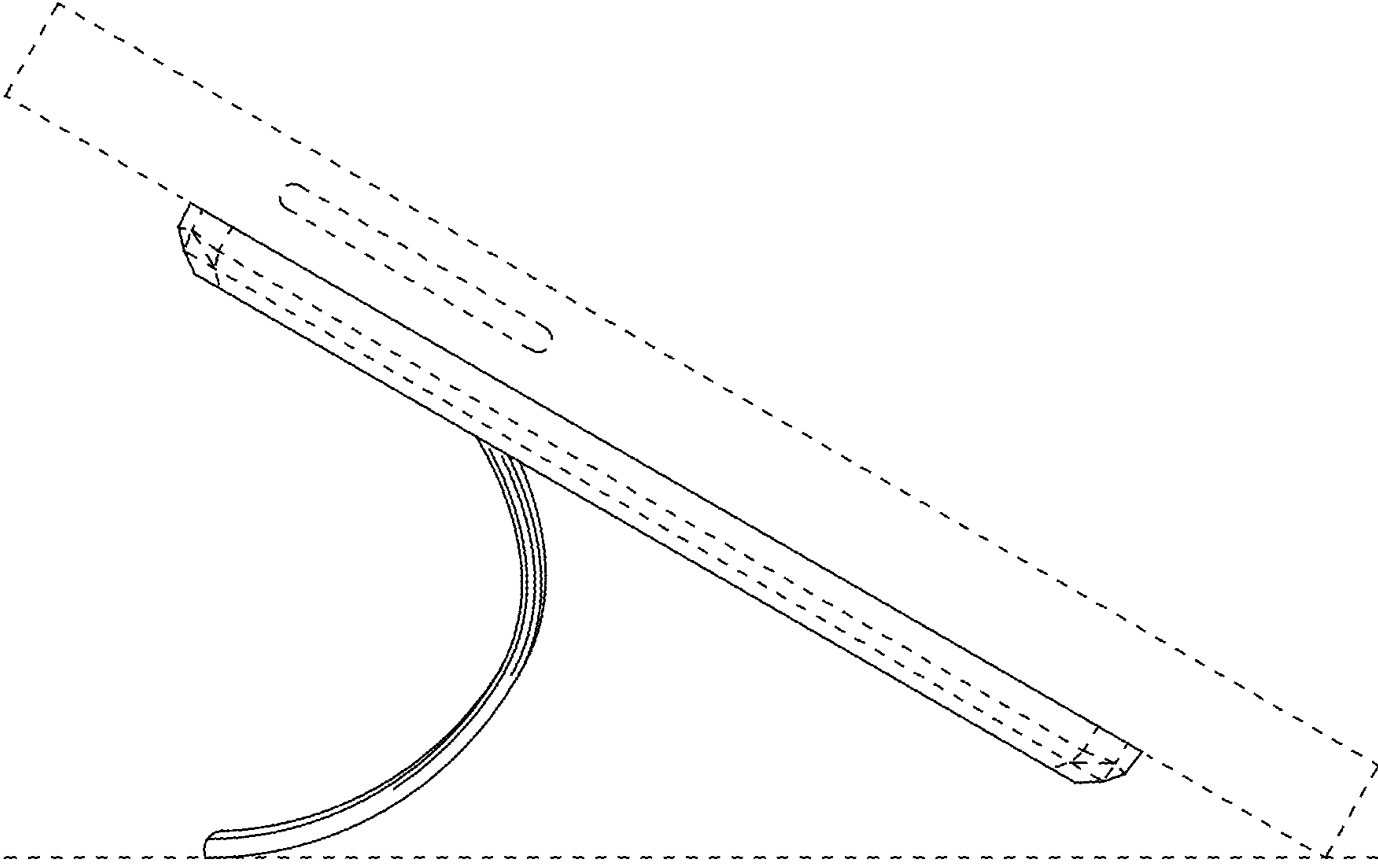


FIG. 8