



US00D896801S

(12) **United States Design Patent**  
**Baiz et al.**

(10) **Patent No.:** **US D896,801 S**

(45) **Date of Patent:** **\*\* Sep. 22, 2020**

(54) **EXTENDIBLE VEHICLE ANTENNA**

(71) Applicants: **Enrique J. Baiz**, Davie, FL (US);  
**Oswaldo Izquierdo**, Homestead, FL (US)

(72) Inventors: **Enrique J. Baiz**, Davie, FL (US);  
**Oswaldo Izquierdo**, Homestead, FL (US)

(\*\*) Term: **15 Years**

(21) Appl. No.: **29/721,971**

(22) Filed: **Jan. 24, 2020**

**Related U.S. Application Data**

(63) Continuation-in-part of application No. 29/688,928, filed on Apr. 25, 2019.

(51) **LOC (12) Cl.** ..... **14-03**

(52) **U.S. Cl.**  
USPC ..... **D14/232**

(58) **Field of Classification Search**

USPC ..... D14/220, 224–230, 232, 233, 238;  
D16/244; D17/99; D6/681; 248/125.1,  
248/166, 185.1; 381/355, 359, 361–363,  
381/365, 366, 369, 375; 379/428.01,  
379/428.04, 431, 433.03  
CPC . H04R 25/00; H04R 1/02; H04R 5/02; H04R  
9/08; F16M 11/38; F16M 13/00; F16M  
11/00

See application file for complete search history.

(56) **References Cited**

**U.S. PATENT DOCUMENTS**

2,200,338 A \* 5/1940 Mason ..... H01Q 1/1235  
343/880  
2,301,764 A \* 11/1942 Wainwright ..... A01M 27/00  
43/84  
2,972,744 A \* 2/1961 Rickards ..... H01Q 1/1214  
343/888

3,003,149 A \* 10/1961 Grashow  
D561,746 S \* 2/2008 Green ..... D14/233  
D814,913 S \* 4/2018 Baiz ..... D8/387  
D821,187 S \* 6/2018 Baiz ..... D8/387  
D821,369 S \* 6/2018 Baiz ..... D14/233  
D836,457 S \* 12/2018 Johnson ..... D9/680

(Continued)

*Primary Examiner* — Katie Jane Stofko

(74) *Attorney, Agent, or Firm* — Quickpatents, LLC;  
Kevin Prince

(57) **CLAIM**

The ornamental design for an extendible vehicle antenna, as shown and described.

**DESCRIPTION**

FIG. 1 is a perspective view of an extendible vehicle antenna, showing our new design in a retracted configuration;

FIG. 2 is a front elevational view of FIG. 1, the rear elevational view being a mirror image thereof;

FIG. 3 is a left-side elevational view of FIG. 1, the right-side elevational view being a mirror image thereof;

FIG. 4 is a top plan view of FIG. 1;

FIG. 5 is a bottom plan view of FIG. 1;

FIG. 6 is a perspective view thereof, illustrated in an extended configuration;

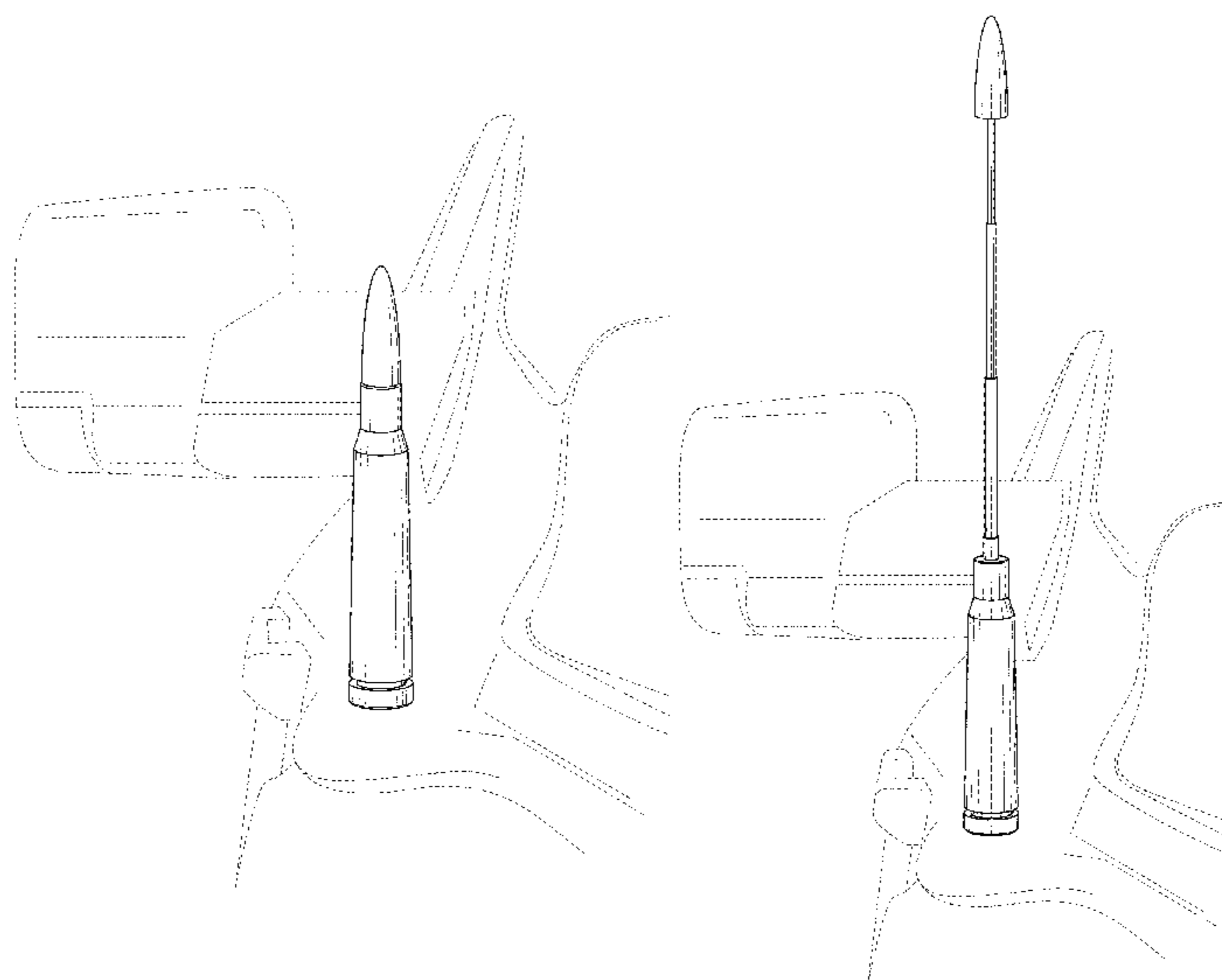
FIG. 7 is a front elevational view of FIG. 6, the rear elevational view being a mirror image thereof;

FIG. 8 is a left-side elevational view of FIG. 6, the right-side elevational view being a mirror image thereof; and,

FIG. 9 is a cross-sectional view thereof, taken along line 9--9 of FIG. 2.

The broken lines showing a vehicle in FIGS. 1 and 6 depict environmental matter and form no part of the claimed design. The remaining broken lines in the drawings depict portions of the extendible vehicle antenna that form no part, of the claimed design.

**1 Claim, 4 Drawing Sheets**



(56)

**References Cited**

U.S. PATENT DOCUMENTS

D847,799	S *	5/2019	Radey	.....	D14/238
D869,286	S *	12/2019	Aboabdo	.....	D9/680
D870,842	S *	12/2019	Fitzsimonds	.....	F42B 12/34 D22/116
10,675,929	B1 *	6/2020	Baiz	.....	F16K 27/08

\* cited by examiner

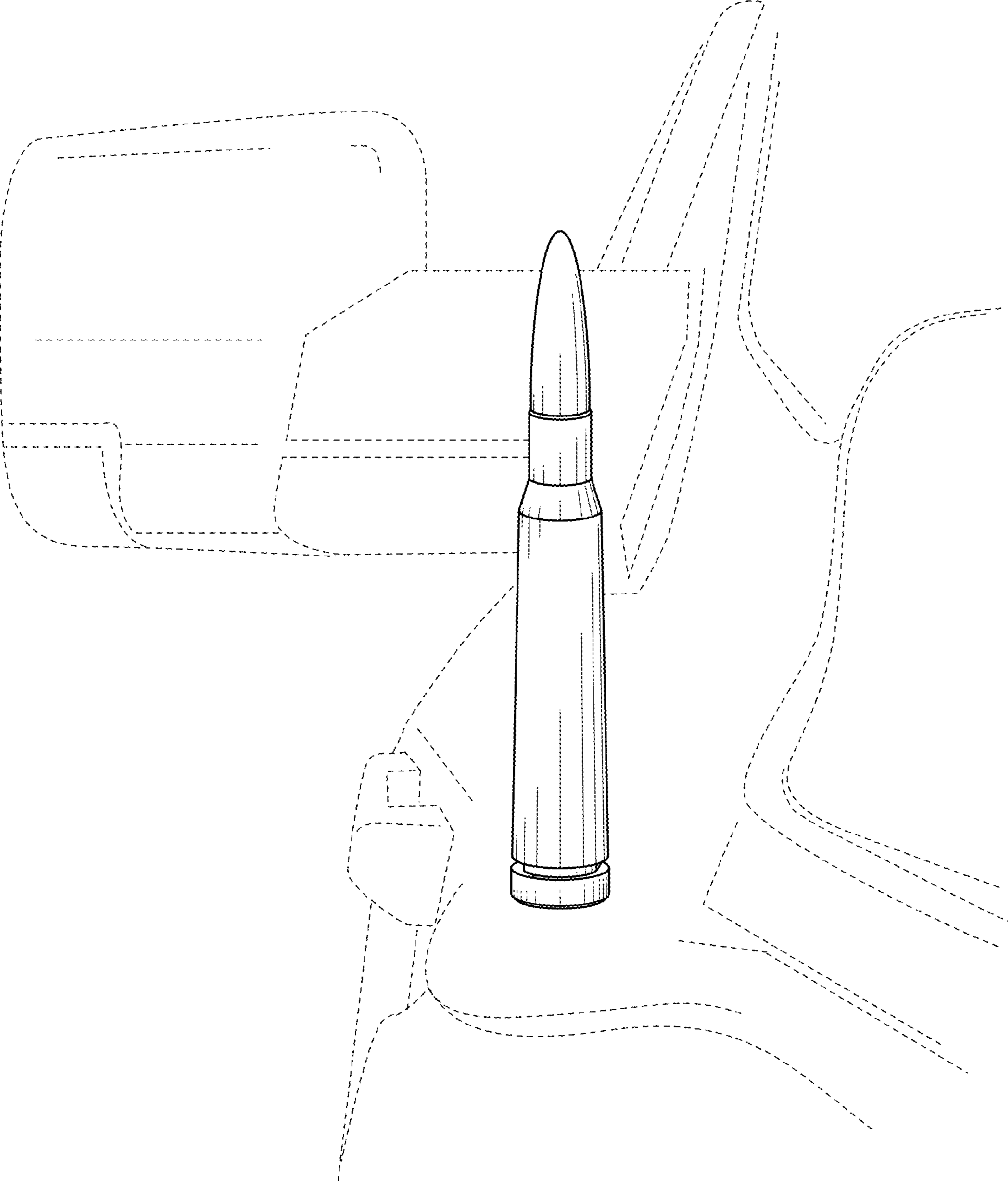


FIG. 1

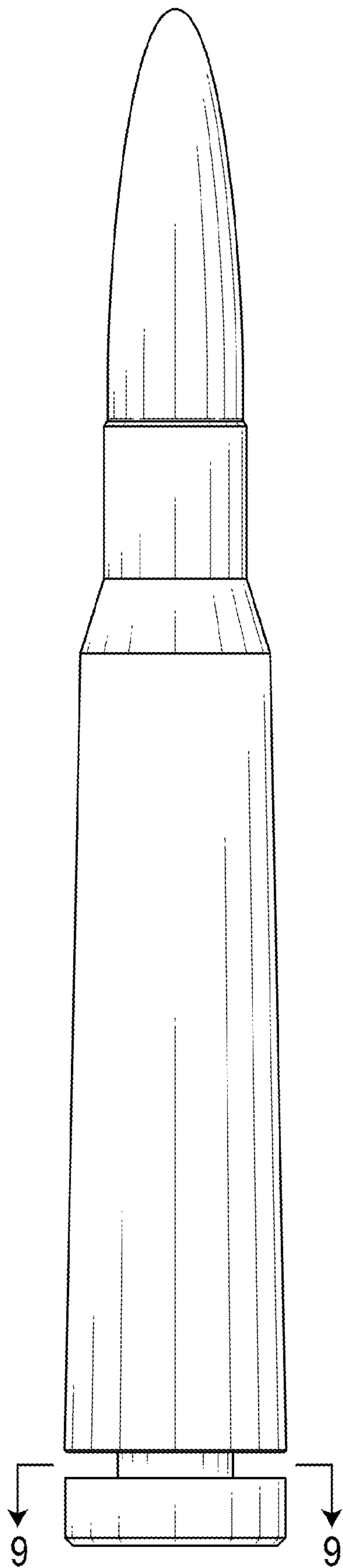


FIG. 2

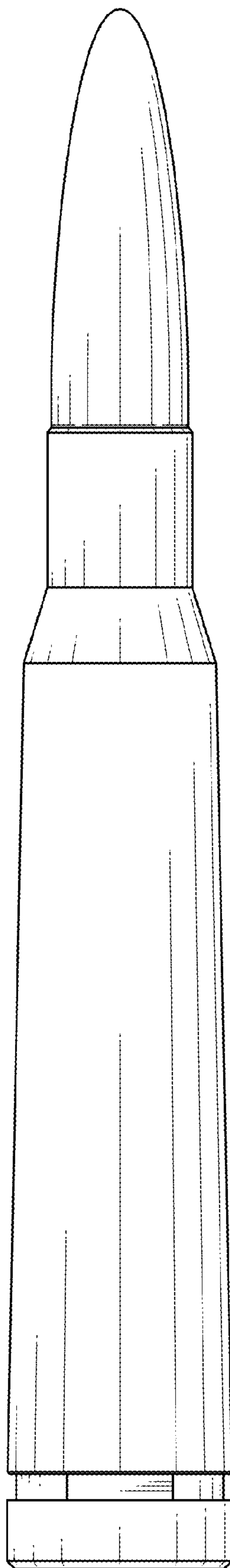


FIG. 3

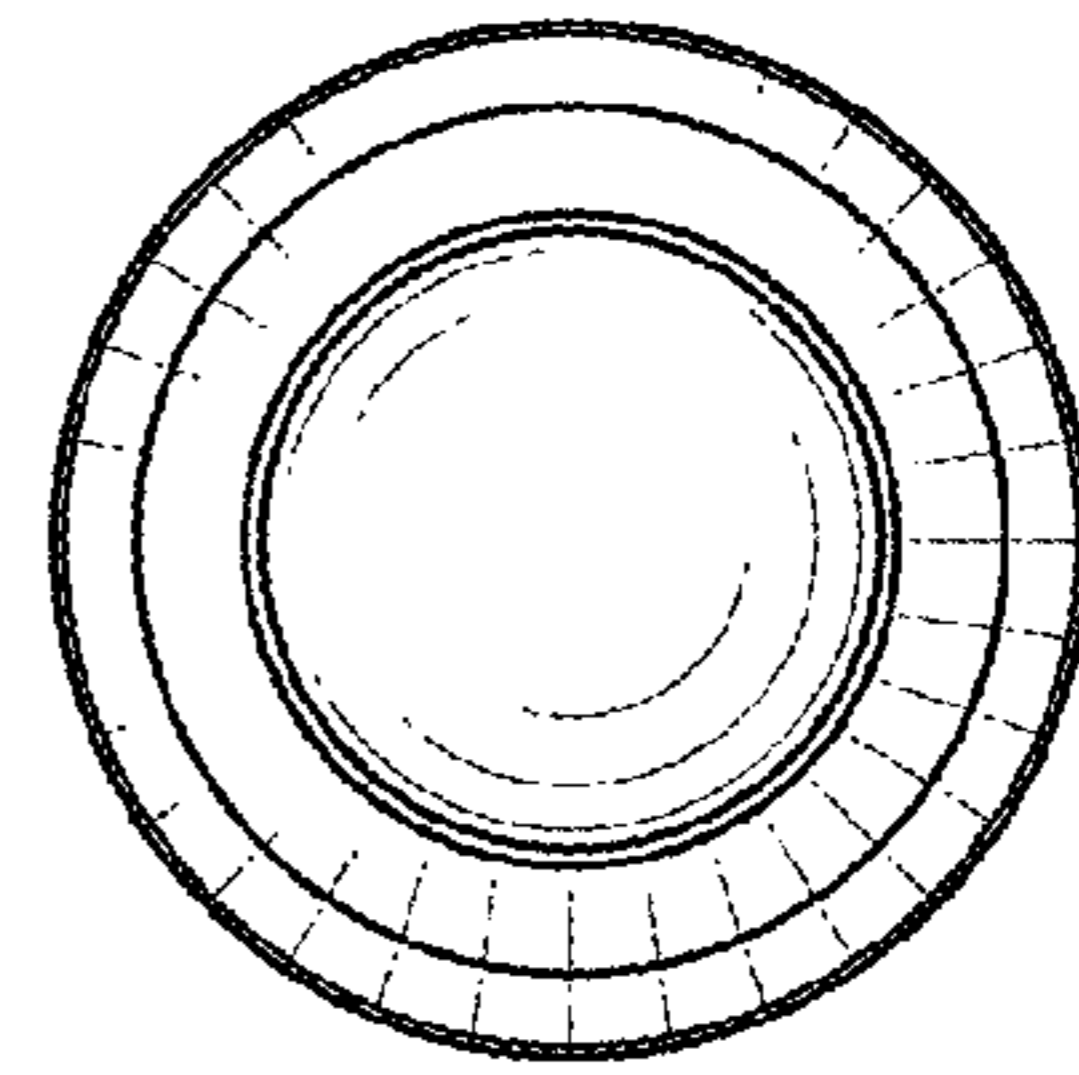


FIG. 4

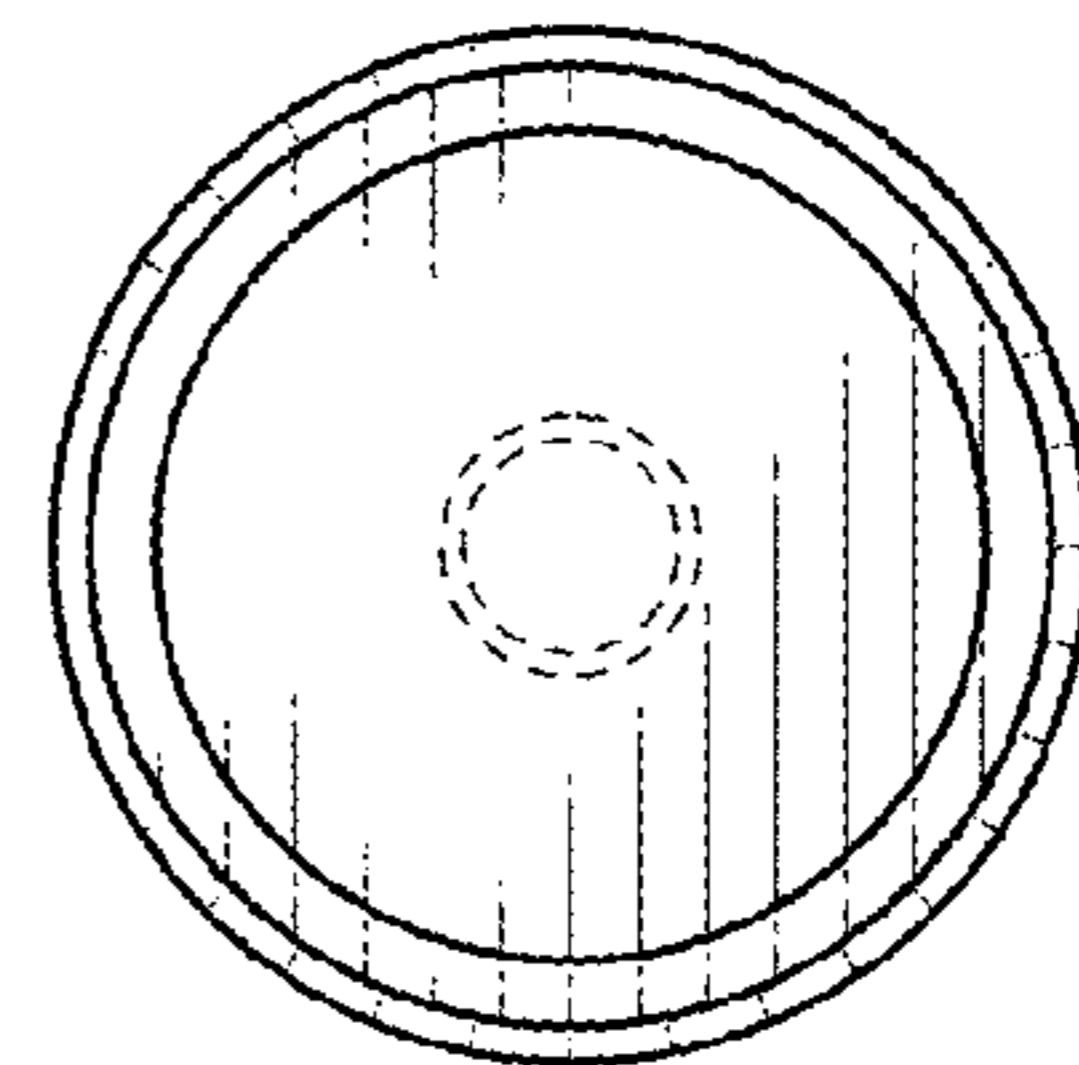


FIG. 5

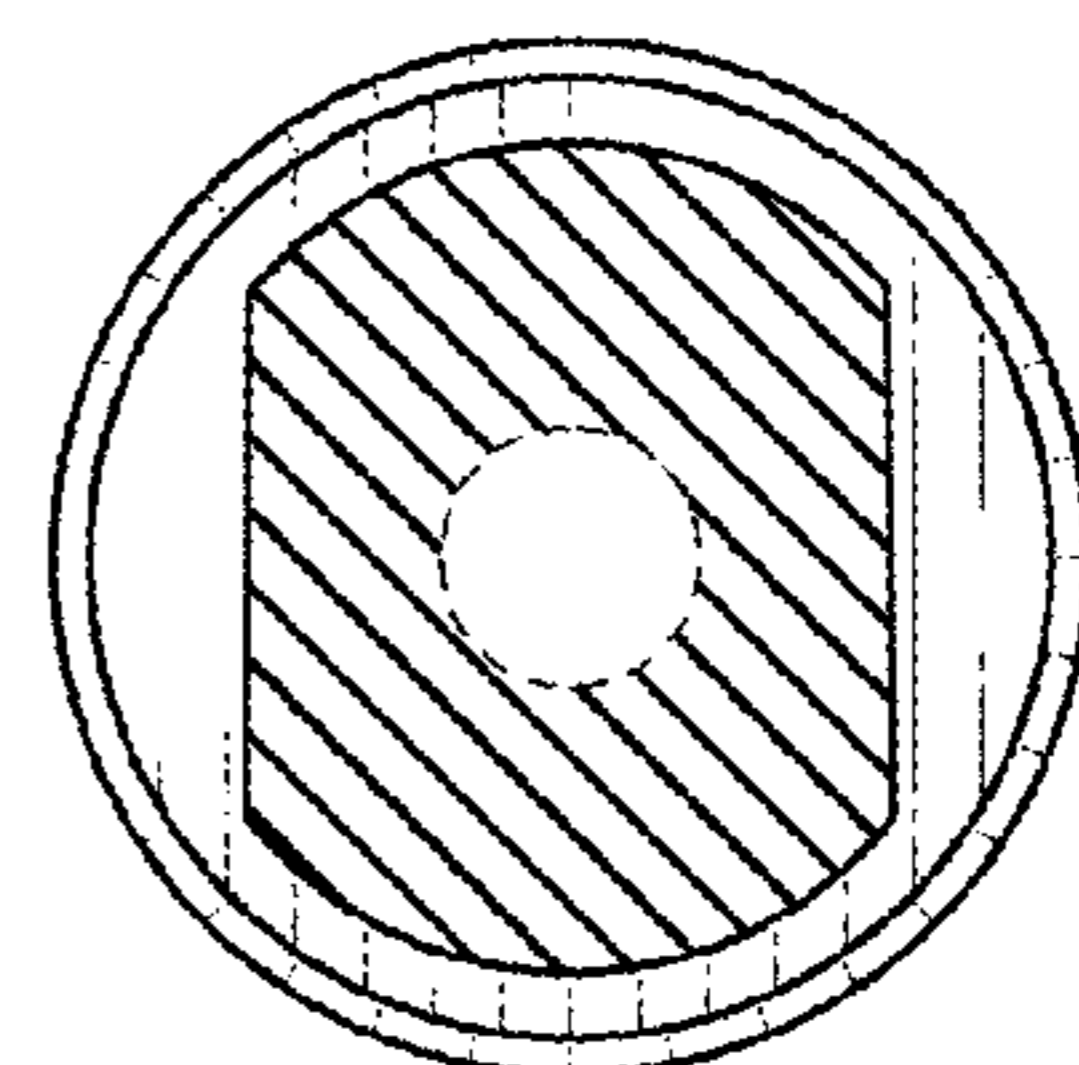


FIG. 9

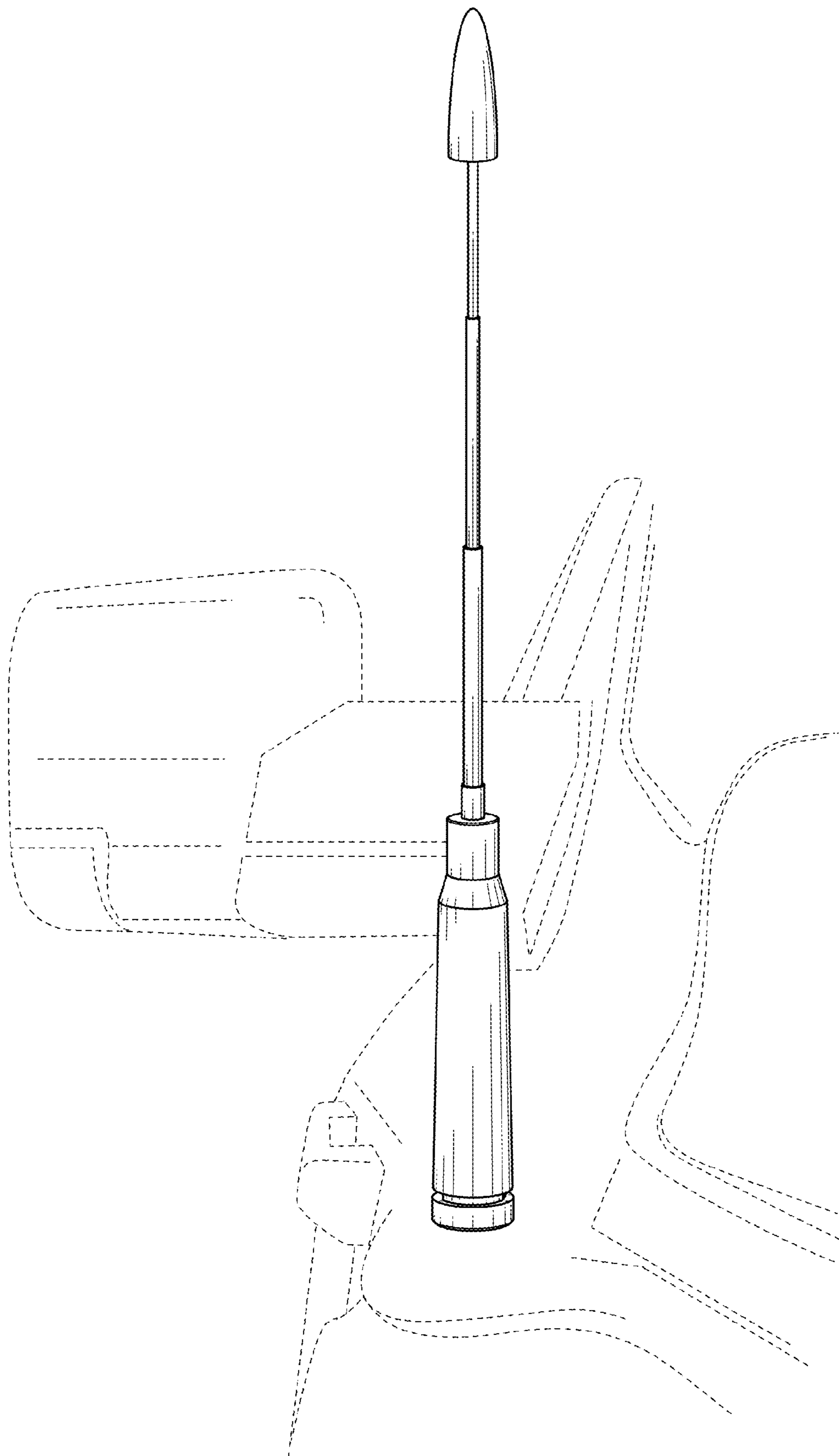


FIG. 6

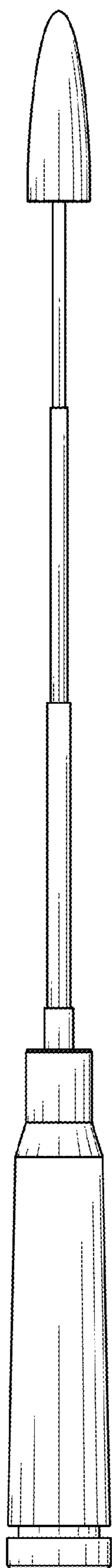


FIG. 7

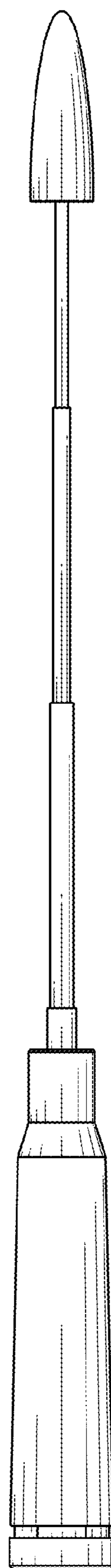


FIG. 8