

US00D896800S

(12) **United States Design Patent**  
**Yang**

(10) **Patent No.:** **US D896,800 S**

(45) **Date of Patent:** **\*\* Sep. 22, 2020**

(54) **ANTENNA**

(71) Applicant: **Shenzhen Antop Technology Co. Ltd.**,  
Guangdong (CN)

(72) Inventor: **Ruidian Yang**, Guangdong (CN)

(\*\*) Term: **15 Years**

(21) Appl. No.: **29/718,984**

(22) Filed: **Dec. 31, 2019**

(51) **LOC (12) Cl.** ..... **14-03**

(52) **U.S. Cl.**

USPC ..... **D14/230**; D14/234

(58) **Field of Classification Search**

USPC ..... D14/138, 230–238, 299, 358; D12/42,  
D12/43

CPC ..... H01Q 7/00; H01Q 13/10; H01Q 9/285;  
H01Q 19/30; H01Q 19/12; H01Q 1/38;  
H01Q 1/36; H04B 1/0475; H04B 1/034;  
H05K 11/00

See application file for complete search history.

D638,114 S *	5/2011	Li	.....	D23/370
D666,178 S *	8/2012	Schneider	.....	H01Q 7/00
				D14/230
D749,231 S *	2/2016	Dyson	.....	D24/206
D751,054 S *	3/2016	Chou	.....	D14/230
D837,769 S *	1/2019	Yang	.....	D14/230
D838,695 S *	1/2019	Yang	.....	D14/230
D843,982 S *	3/2019	Yang	.....	D14/230
D852,172 S *	6/2019	Wu	.....	D14/230
D864,172 S *	10/2019	Yang	.....	D14/230
D864,925 S *	10/2019	Yang	.....	D14/230
D872,717 S *	1/2020	Lens	.....	D14/230
2015/0084214 A1 *	3/2015	Wilson	.....	F24F 6/00
				261/32

\* cited by examiner

*Primary Examiner* — John Windmuller

(74) *Attorney, Agent, or Firm* — Prakash Nama; Global IP Services, PLLC

(57) **CLAIM**

The ornamental design for an antenna, as shown and described.

(56) **References Cited**

U.S. PATENT DOCUMENTS

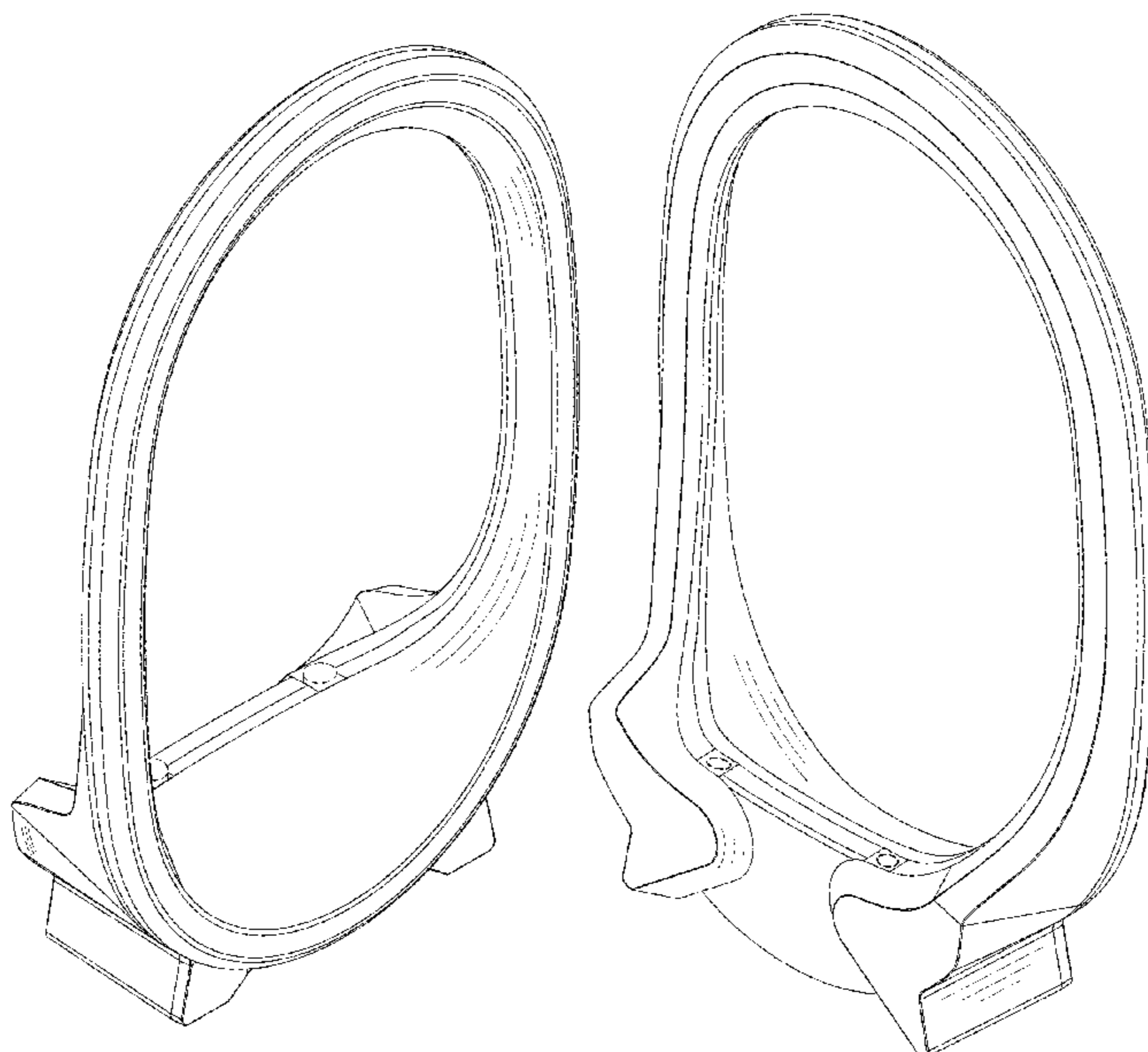
2,403,093 A *	7/1946	Lear	.....	H01Q 7/00
				343/870
5,764,194 A *	6/1998	Brown	.....	H01Q 1/007
				343/726
D414,495 S *	9/1999	Heiligenstein	.....	D14/230
D421,610 S *	3/2000	Ghalebi	.....	D14/230
D449,593 S *	10/2001	Schultz	.....	D14/235
6,535,178 B1 *	3/2003	Wang	.....	H01Q 3/02
				318/565
D480,713 S *	10/2003	Wang	.....	D14/235
D480,714 S *	10/2003	Wang	.....	D14/235
D501,468 S *	2/2005	Wang	.....	D14/235
7,126,556 B1 *	10/2006	Wang	.....	H01Q 1/007
				343/866
D624,531 S *	9/2010	Fleck	.....	D14/230

**DESCRIPTION**

FIG. 1 is a front view of an antenna showing my new design; FIG. 2 is a rear view thereof; FIG. 3 is a left side view thereof; FIG. 4 is a right side view thereof; FIG. 5 is a top plan view thereof; FIG. 6 is a bottom plan view thereof; FIG. 7 is a perspective view thereof; FIG. 8 is another perspective view thereof; and, FIG. 9 is a perspective view thereof, showing the antenna at using state.

The broken lines illustrate portions of the antenna which form no part of the claimed design.

**1 Claim, 9 Drawing Sheets**



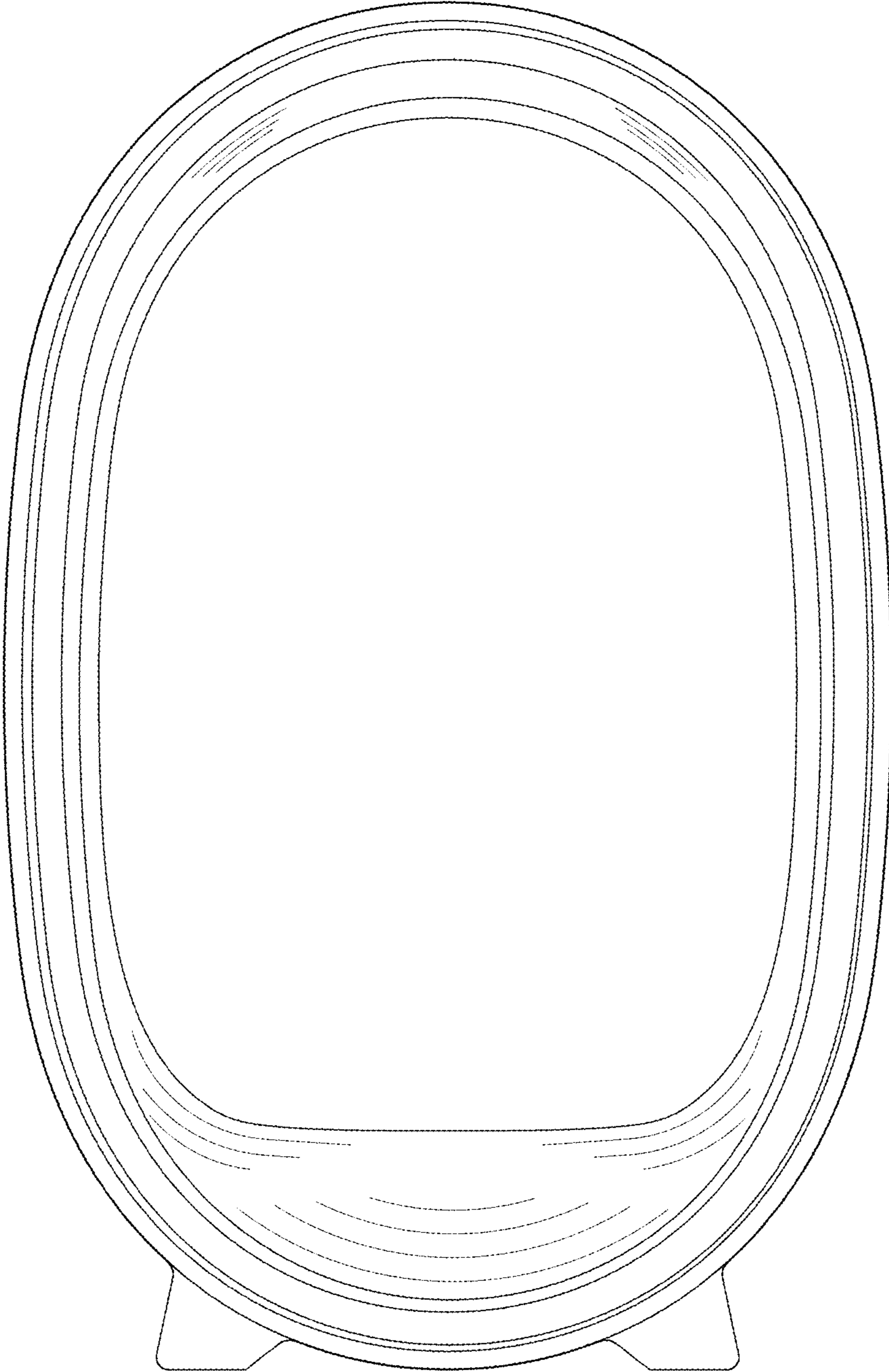


FIG. 1

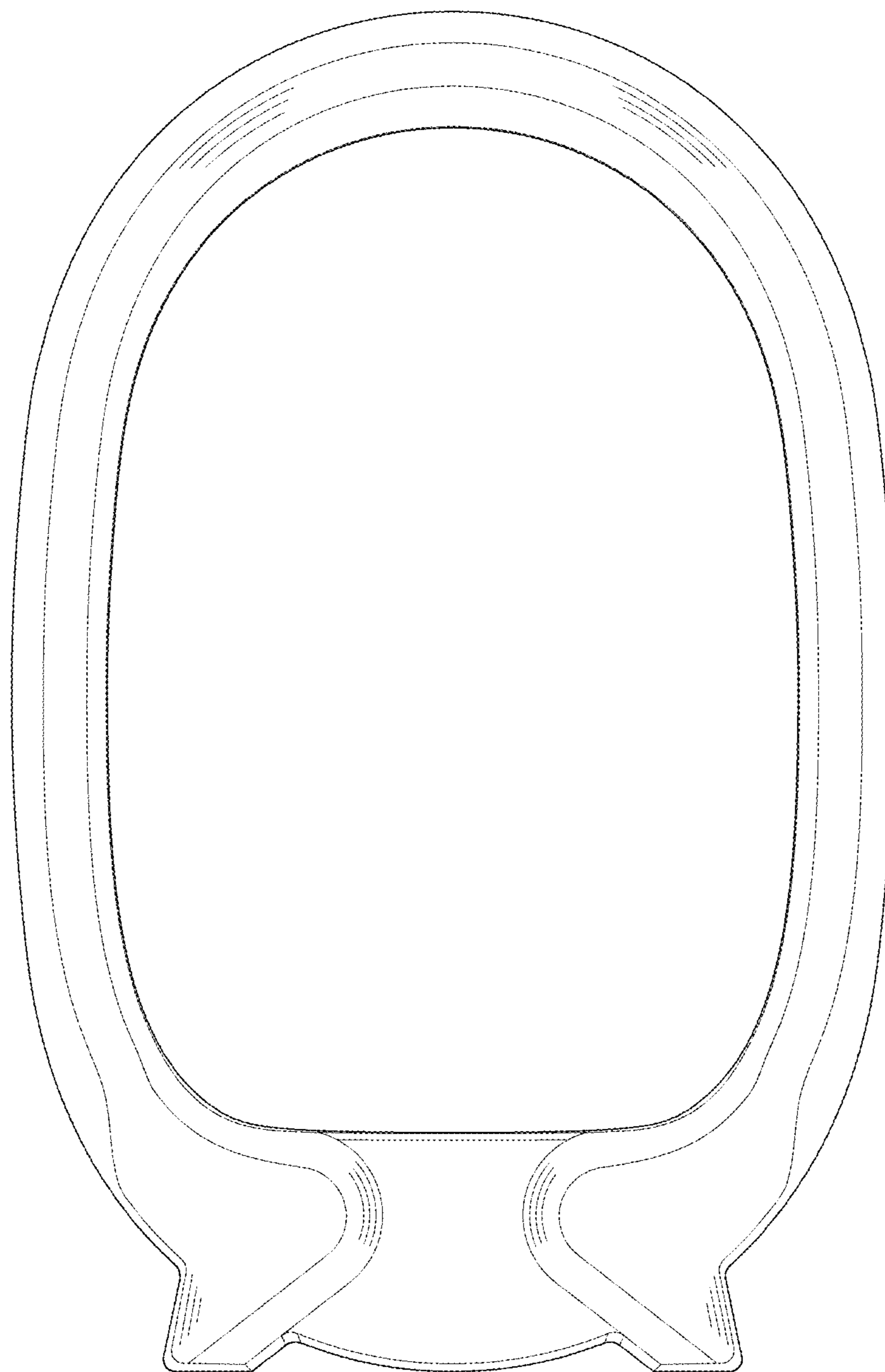


FIG.2

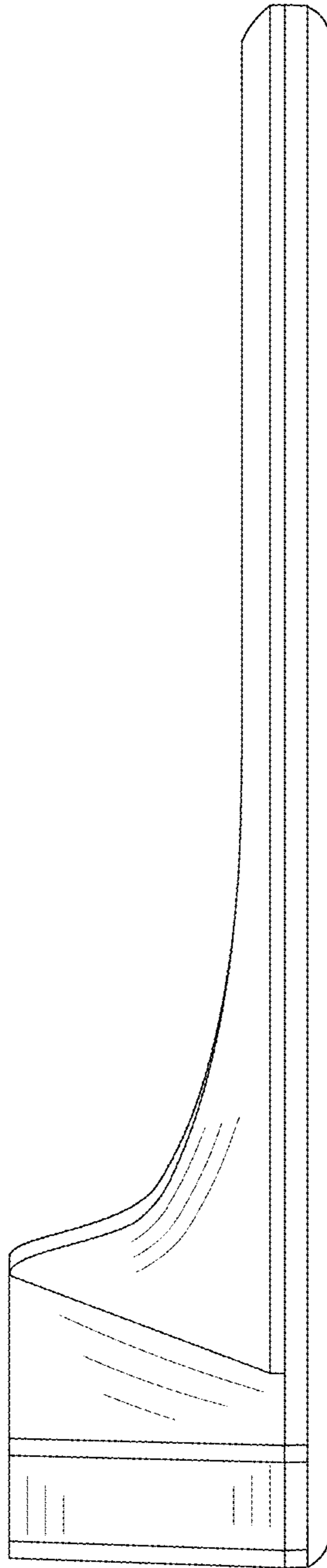


FIG.3

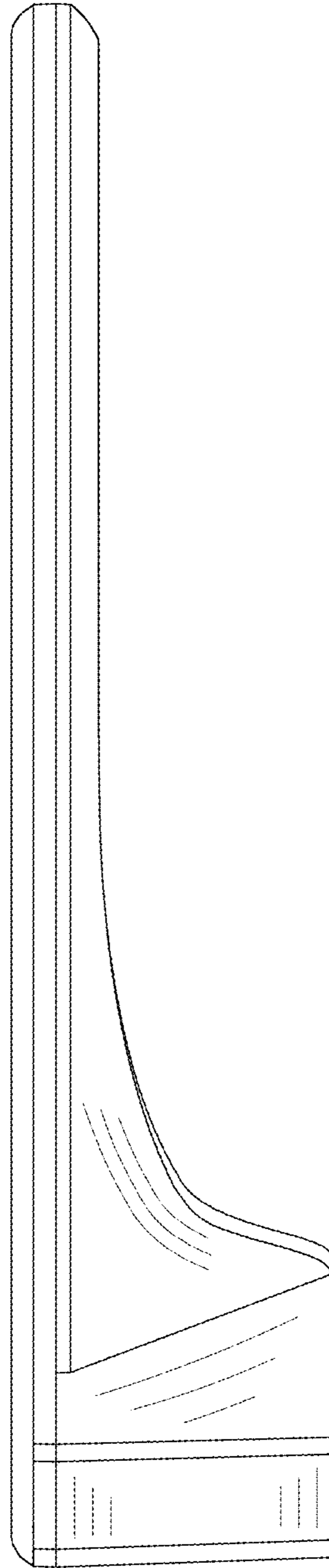


FIG.4

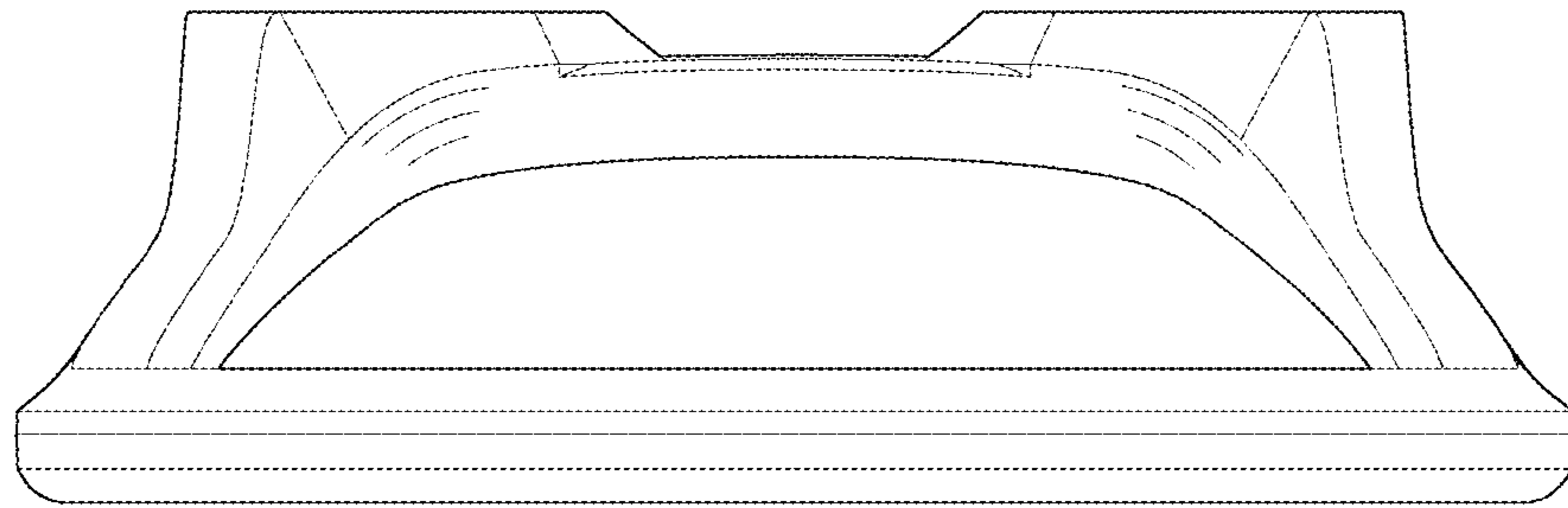


FIG.5





FIG.6

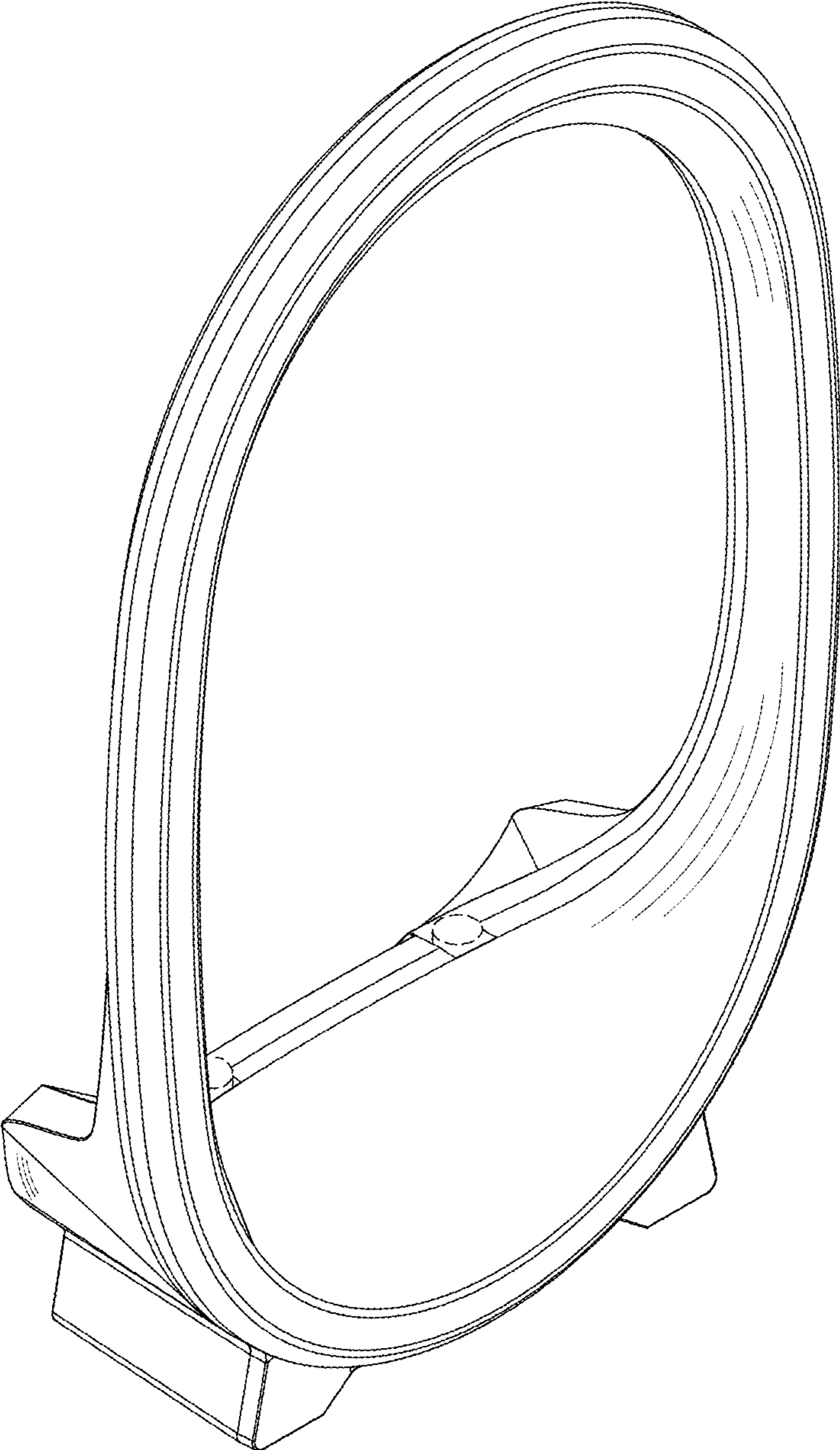


FIG.7



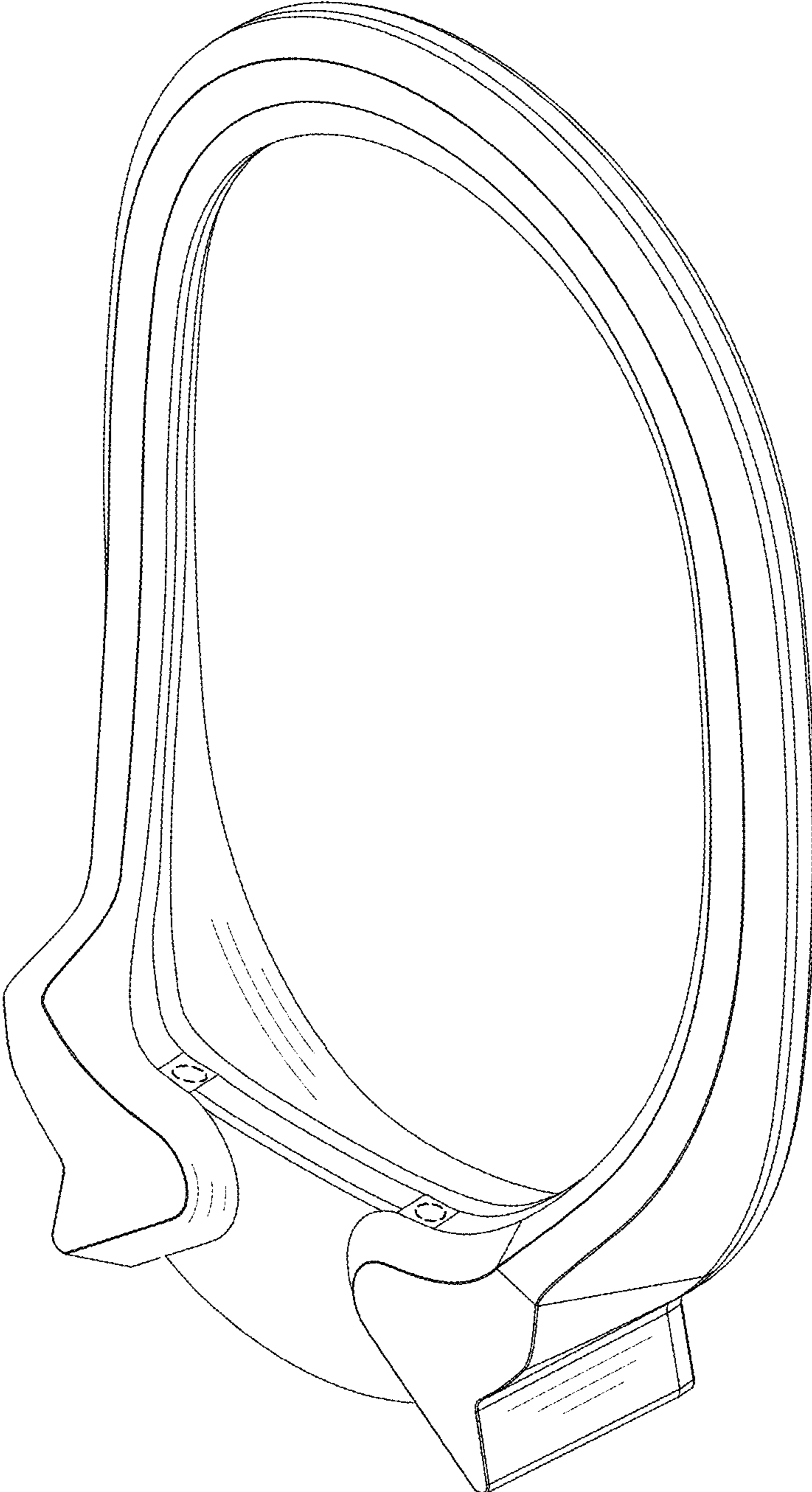


FIG.8

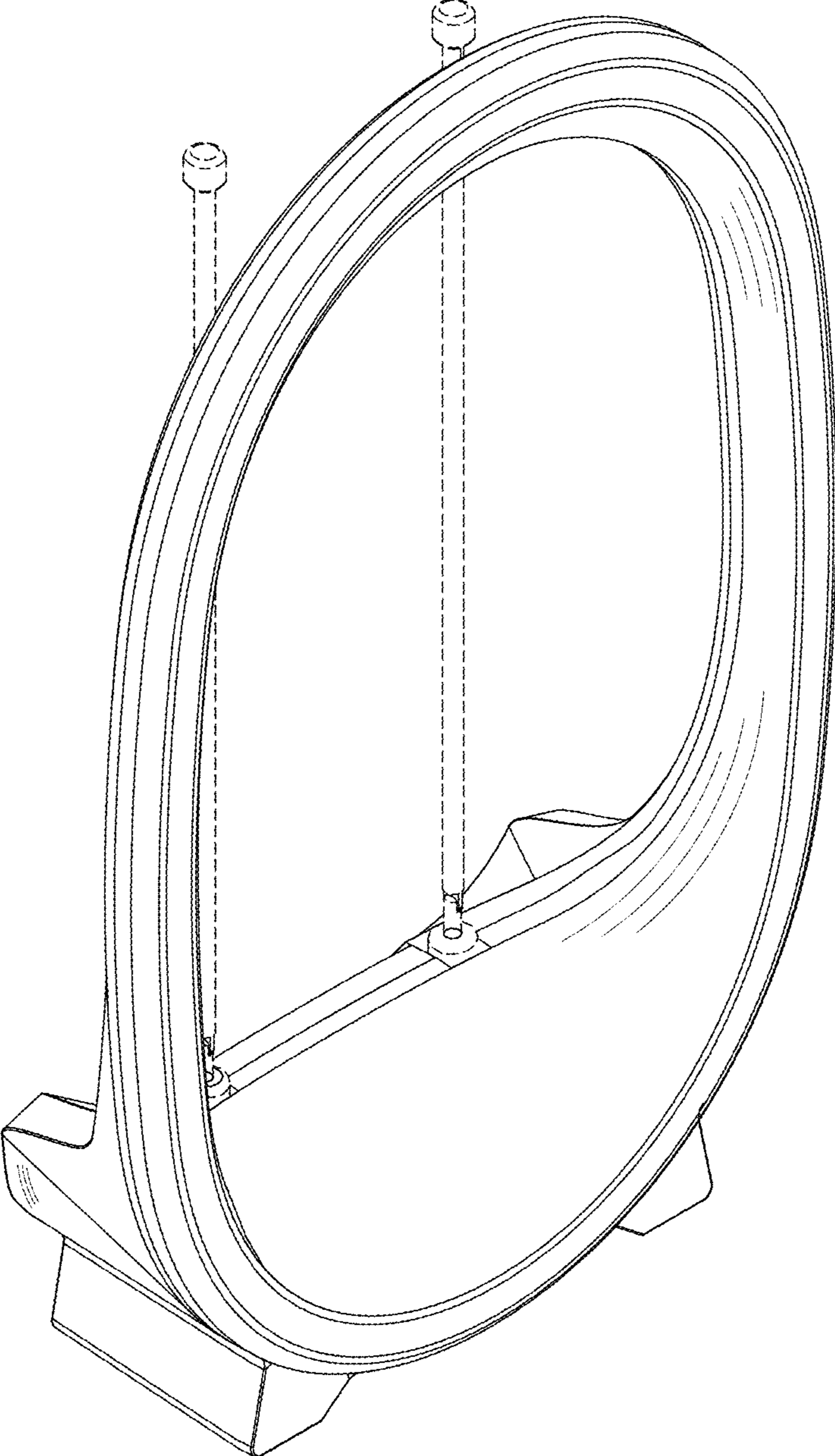


FIG.9