



US00D896799S

(12) **United States Design Patent** (10) **Patent No.:** **US D896,799 S**
Yang (45) **Date of Patent:** **** Sep. 22, 2020**

- (54) **ANTENNA**
- (71) Applicant: **Shenzhen Antop Technology Co. Ltd.,**
Guangdong (CN)
- (72) Inventor: **Ruidian Yang,** Guangdong (CN)
- (**) Term: **15 Years**
- (21) Appl. No.: **29/718,982**
- (22) Filed: **Dec. 31, 2019**
- (51) **LOC (12) Cl.** **14-03**
- (52) **U.S. Cl.**
USPC **D14/230; D14/234**
- (58) **Field of Classification Search**
USPC D14/138, 230-238, 299, 358; D12/42,
D12/43
CPC H01Q 7/00; H01Q 13/10; H01Q 9/285;
H01Q 19/30; H01Q 19/12; H01Q 1/38;
H01Q 1/36; H04B 1/0475; H04B 1/034;
H05K 11/00
See application file for complete search history.

- D620,928 S * 8/2010 Oliver D14/230
- 8,368,607 B2 * 2/2013 Schneider H01Q 19/10
343/741
- D704,681 S * 5/2014 McDonnell D14/230
- D758,999 S * 6/2016 Matsuoka D14/230
- D831,622 S * 10/2018 Yang D14/230
- 2006/0077115 A1 * 4/2006 Oh H01Q 5/357
343/895

* cited by examiner

Primary Examiner — John Windmuller

(74) *Attorney, Agent, or Firm* — Prakash Nama; Global IP Services, PLLC

(57) **CLAIM**

The ornamental design for an antenna, as shown and described.

DESCRIPTION

FIG. 1 is a front view of an antenna showing my new design; FIG. 2 is a rear view thereof; FIG. 3 is a right side view thereof; FIG. 4 is a left side view thereof; FIG. 5 is a top plan view thereof; FIG. 6 is a bottom plan view thereof; FIG. 7 is a perspective view thereof; FIG. 8 is another perspective view thereof; and, FIG. 9 is a perspective view thereof, showing the antenna at using state.

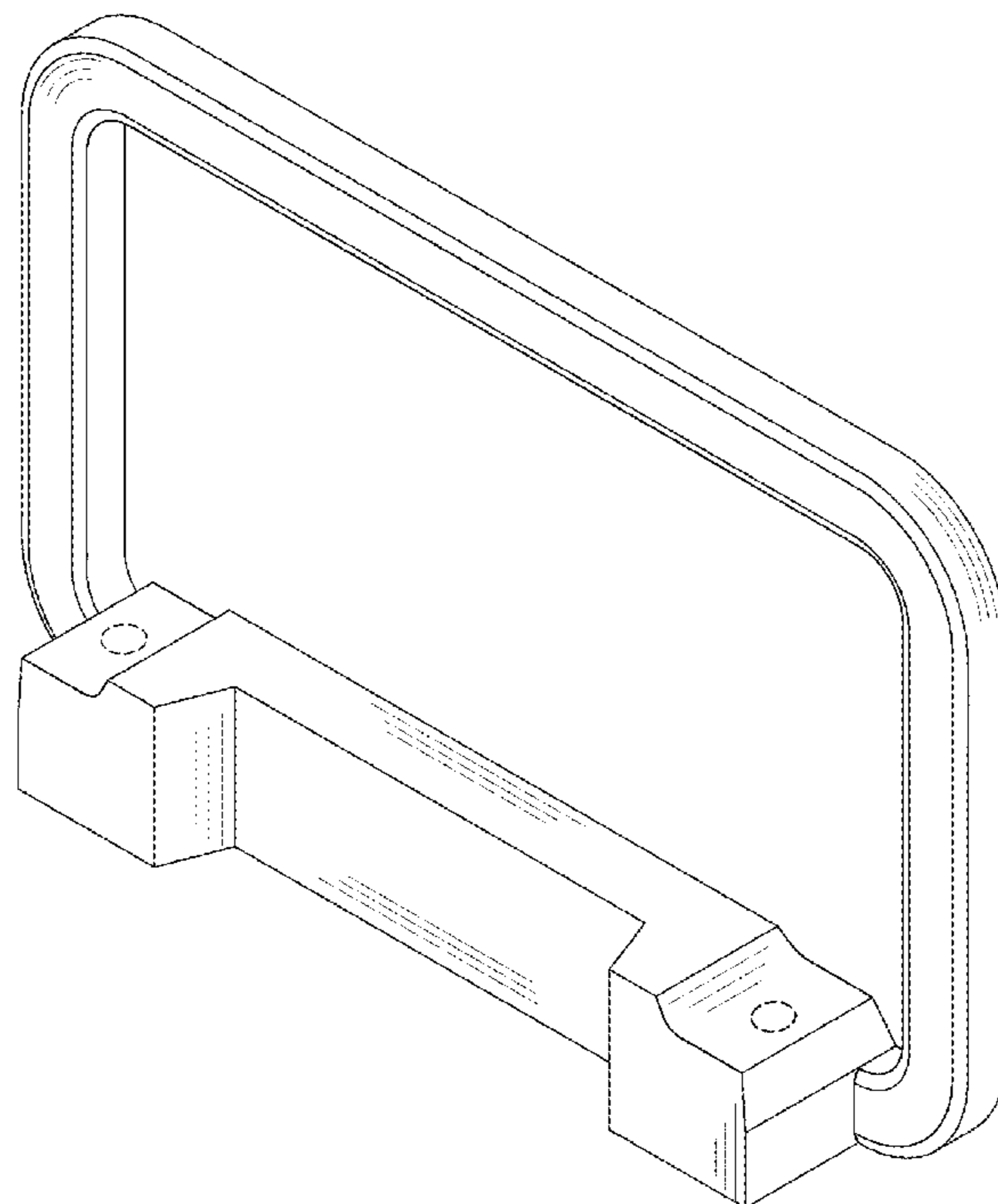
The broken lines illustrate portions of the antenna which form no part of the claimed design.

1 Claim, 9 Drawing Sheets

(56) **References Cited**

U.S. PATENT DOCUMENTS

- D171,560 S * 2/1954 Ritter D14/230
- D308,204 S * 5/1990 Takizawa D14/231
- D318,673 S * 7/1991 Terk D14/230
- D344,731 S * 3/1994 Witzky D14/204
- 6,025,784 A * 2/2000 Mish G08G 1/017
340/693.5
- D517,535 S * 3/2006 Wu D14/230
- 7,091,925 B1 * 8/2006 Wang H01Q 9/0421
343/866
- D544,471 S * 6/2007 Wang D14/230
- D604,276 S * 11/2009 Schneider D14/230



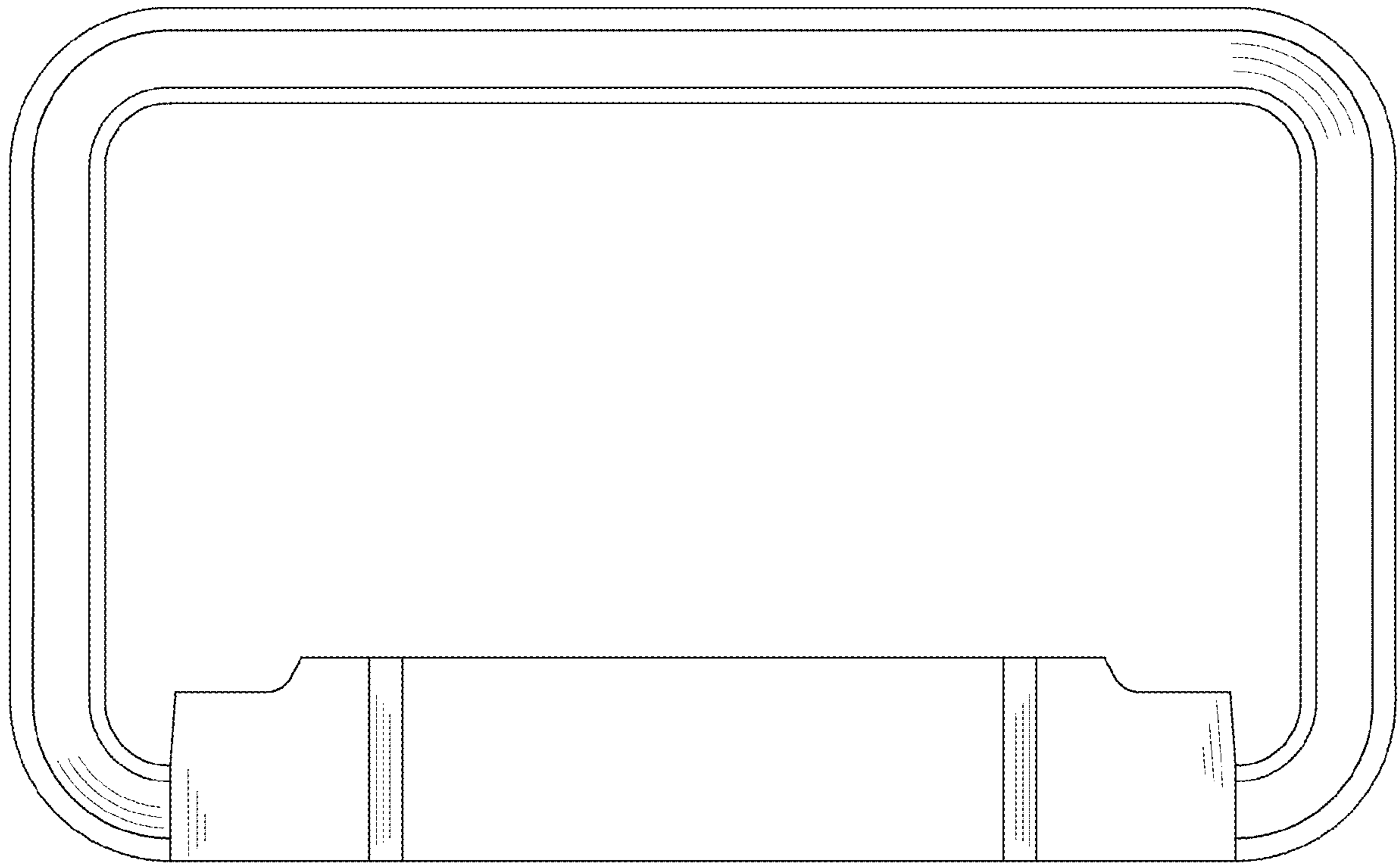


FIG.1

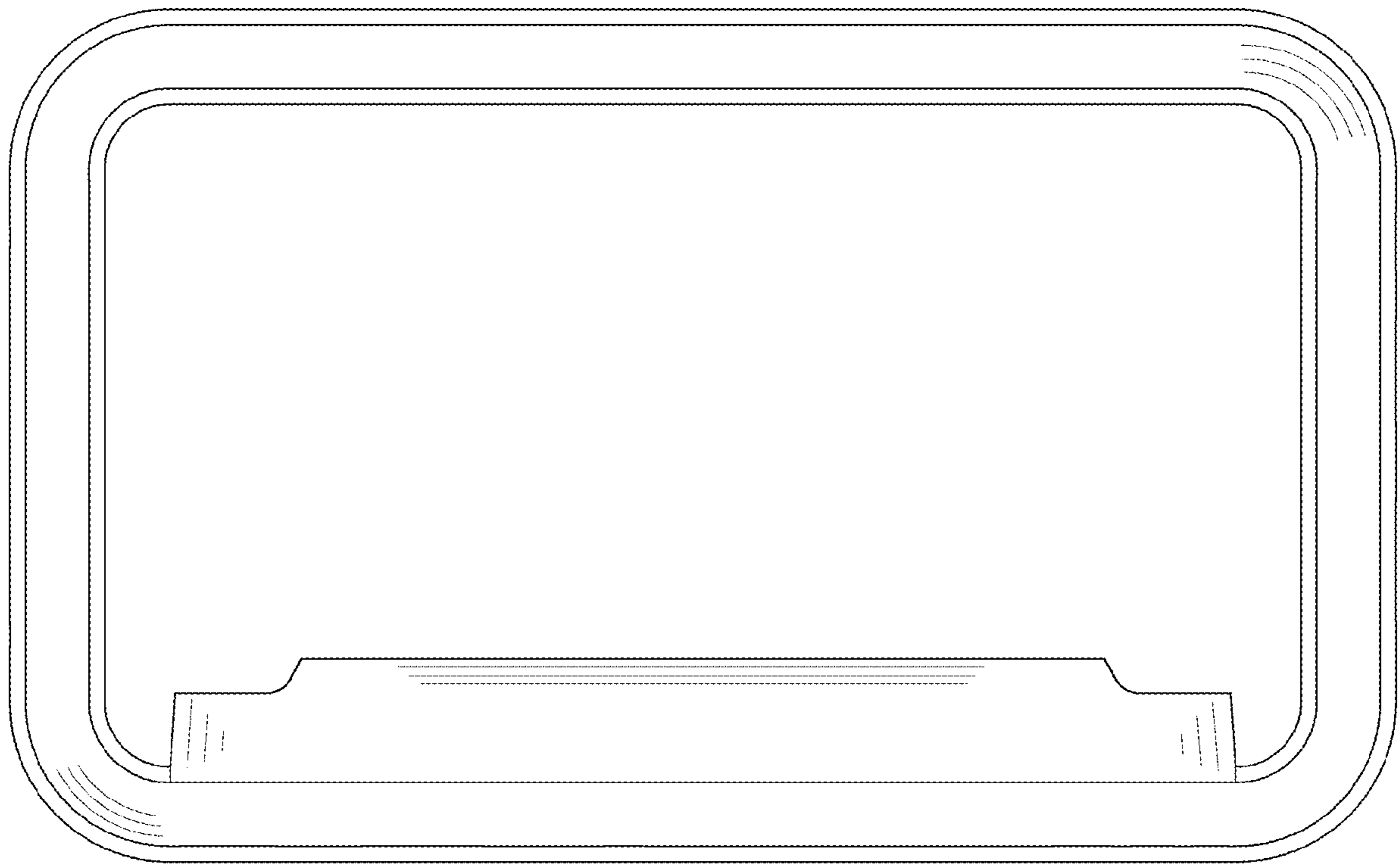


FIG.2

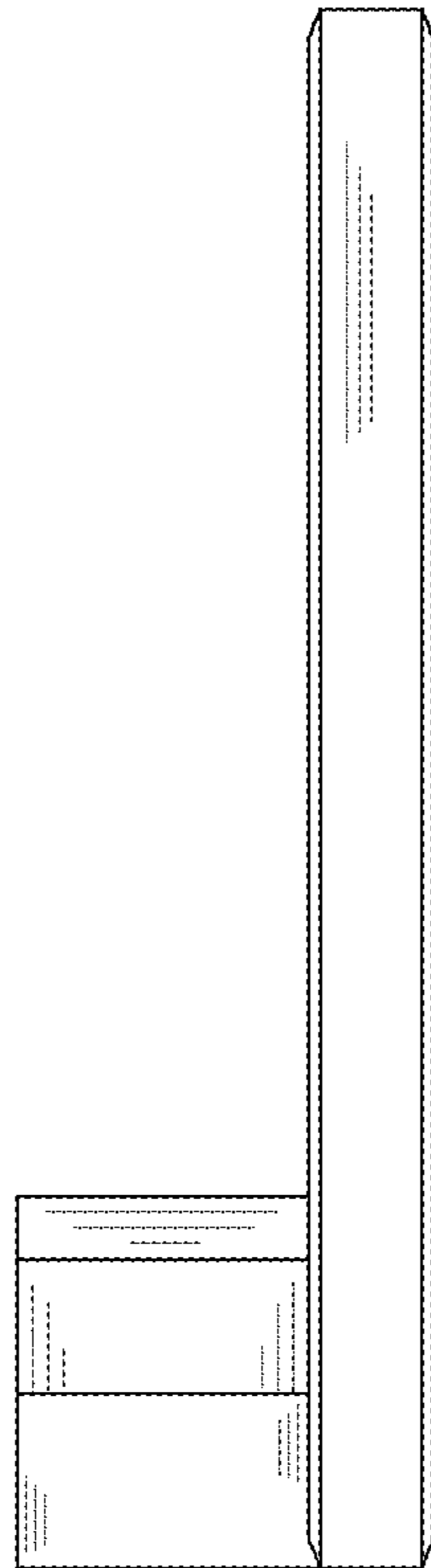


FIG.3

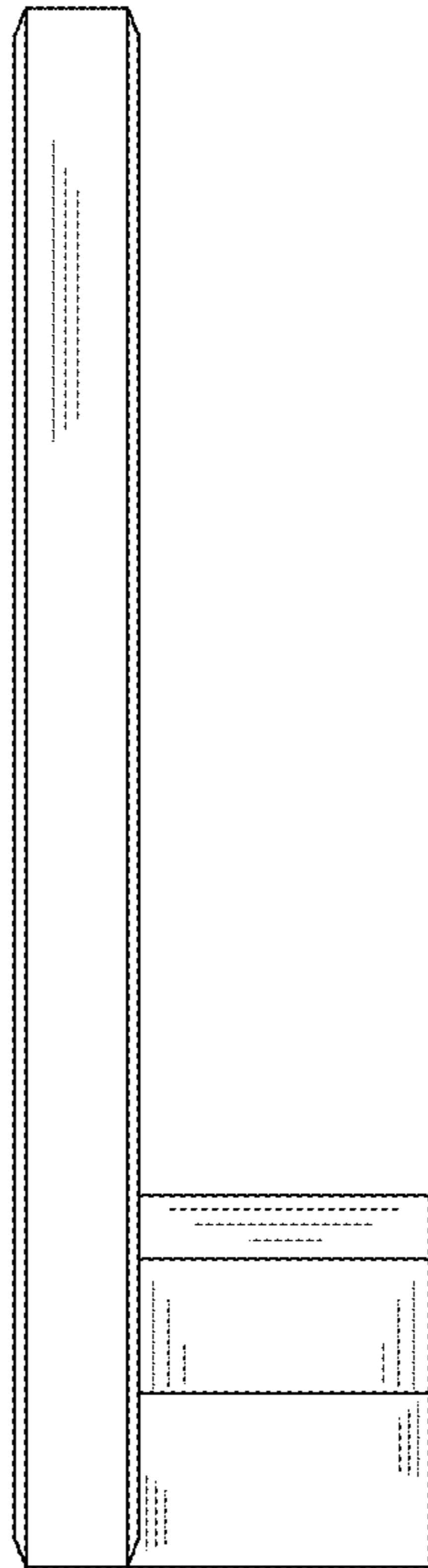


FIG.4

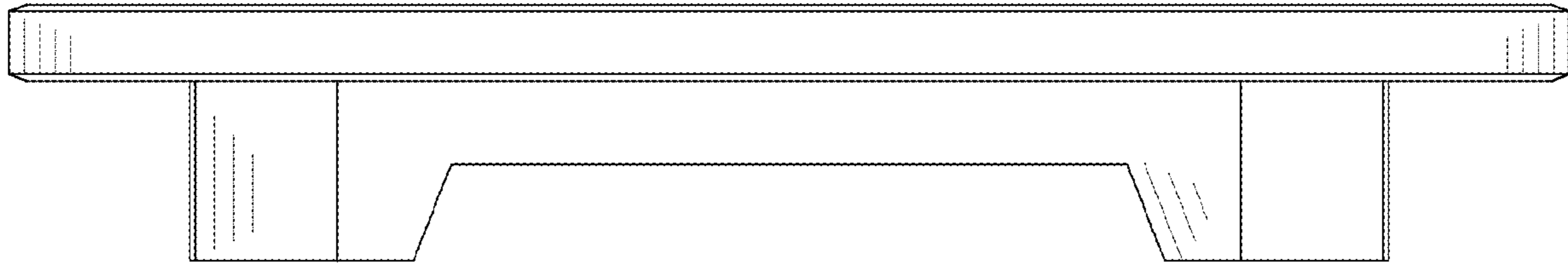


FIG.5

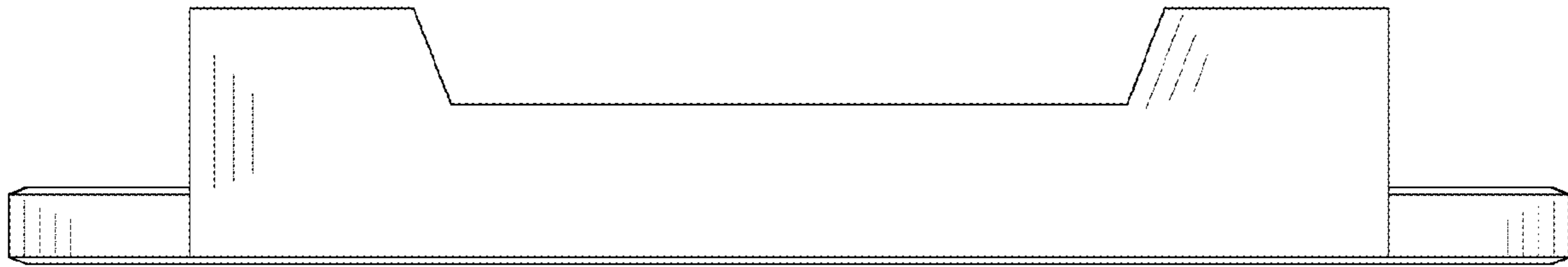


FIG.6

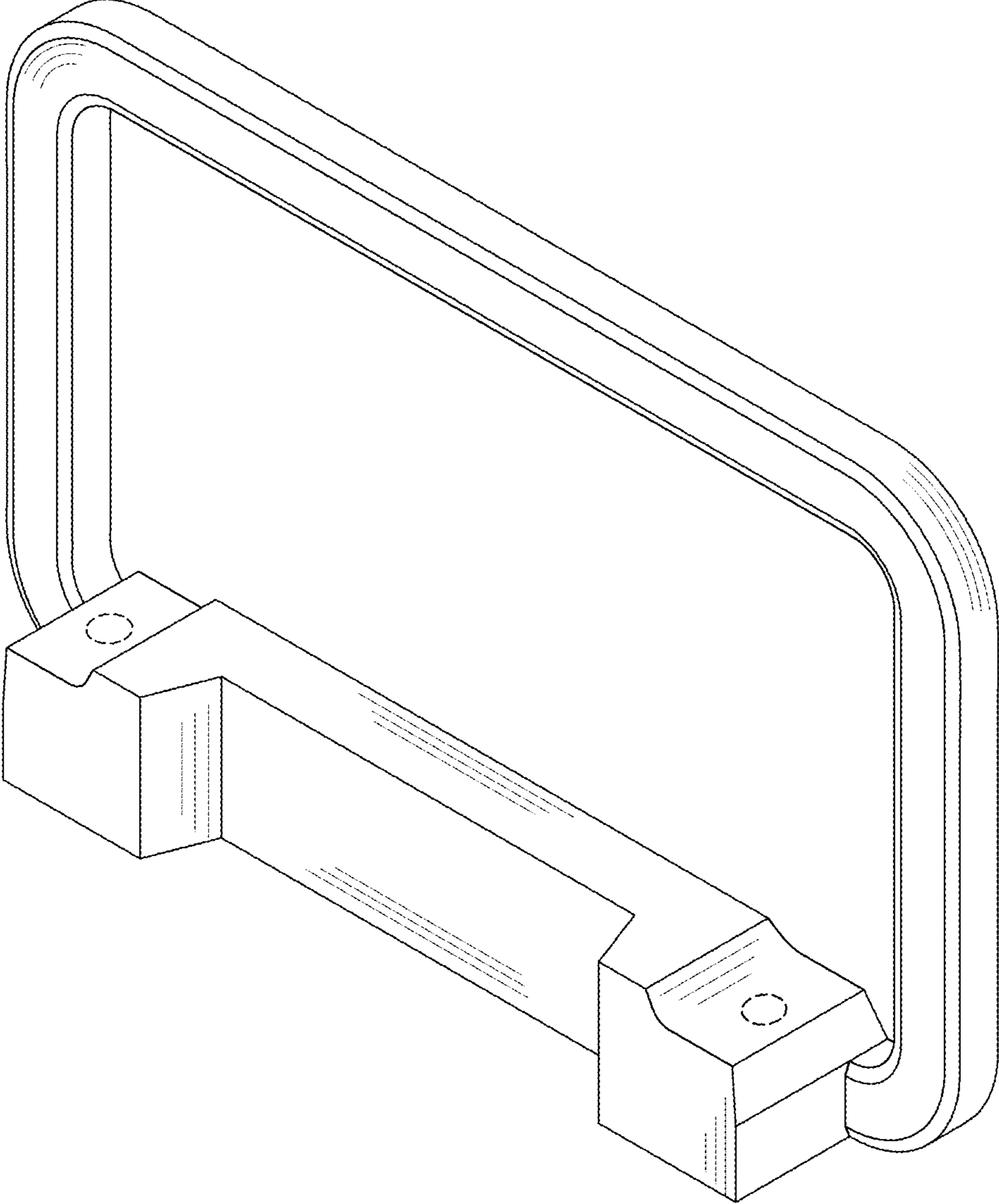


FIG. 7

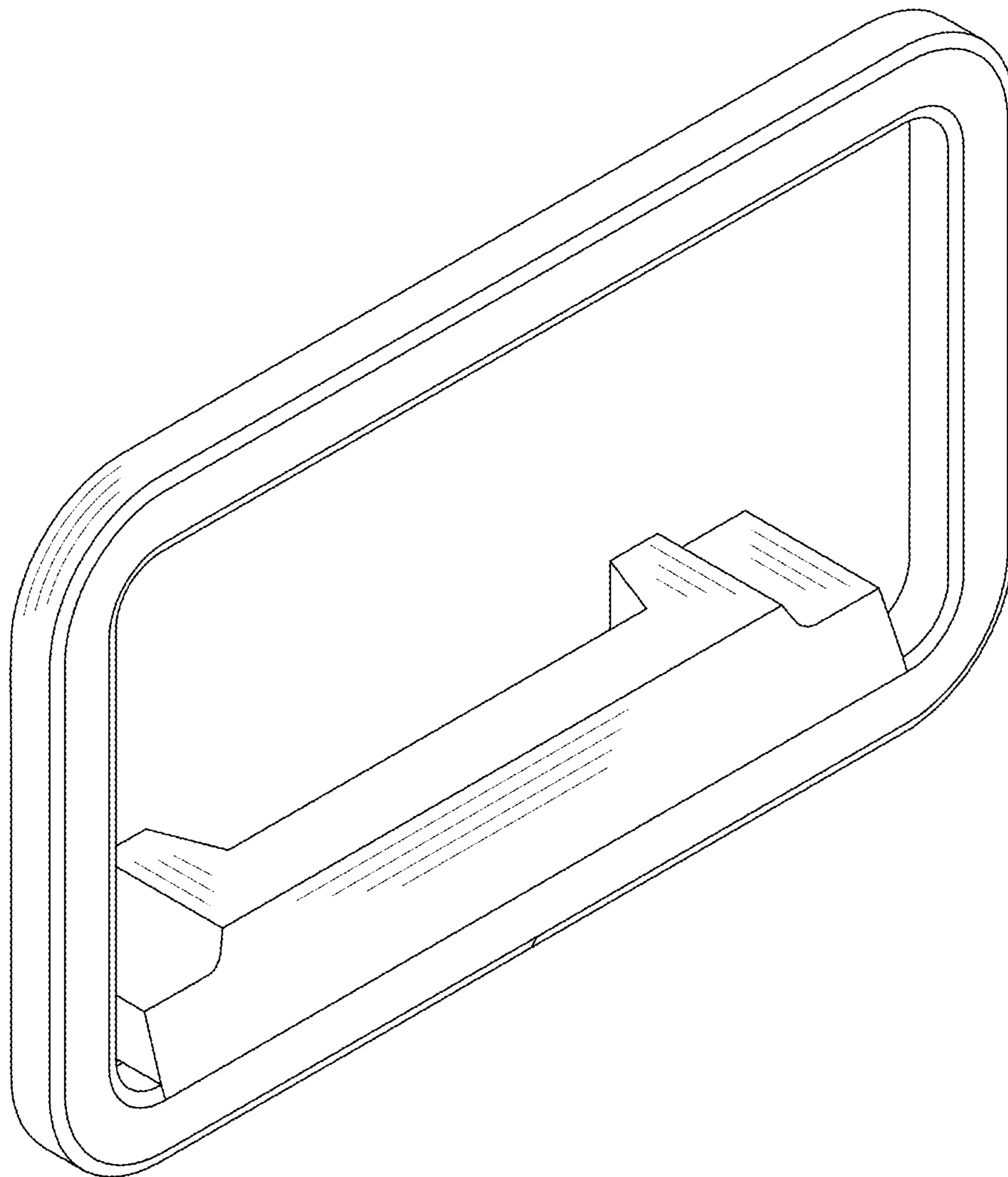


FIG.8

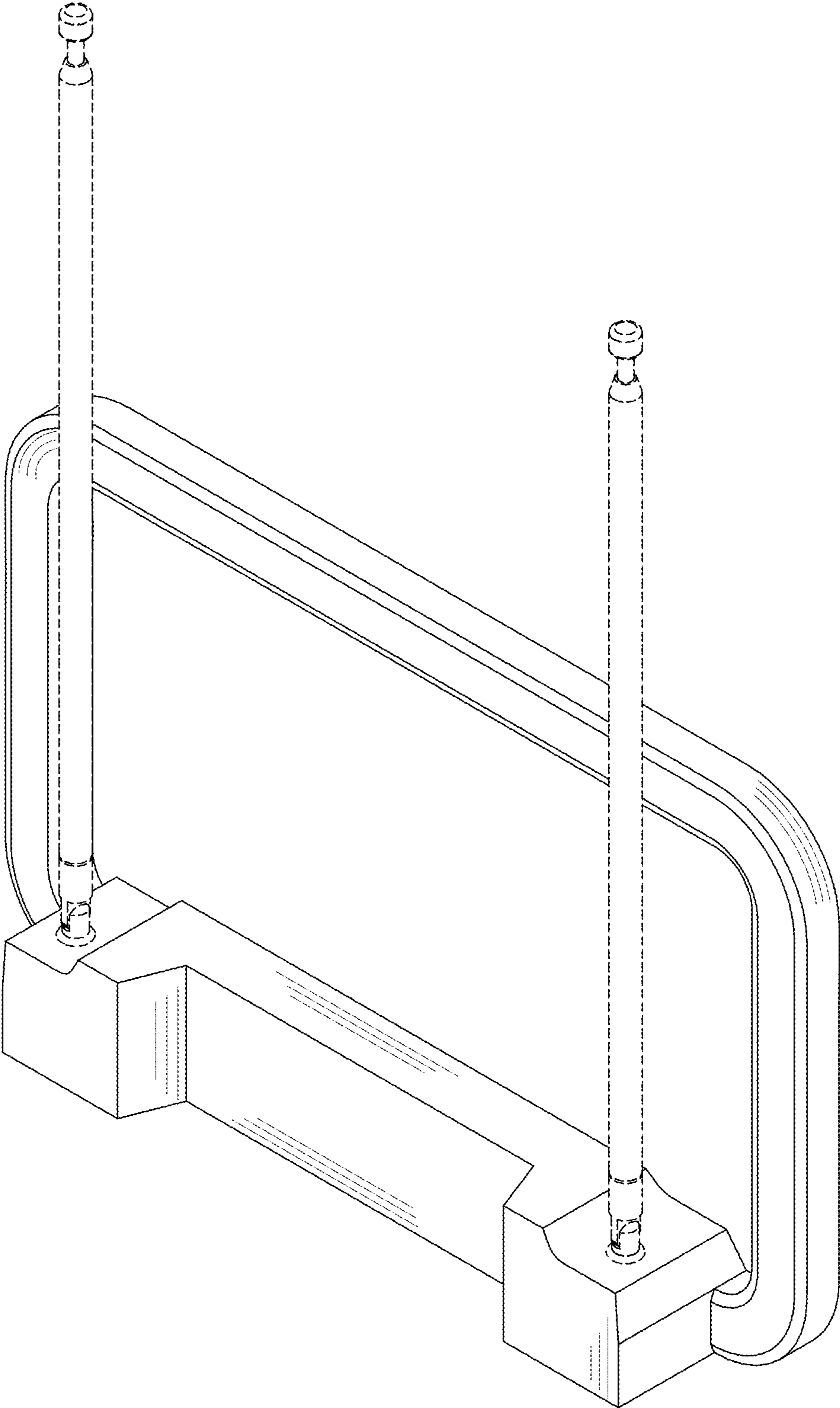


FIG.9