



US00D896790S

(12) **United States Design Patent**
Yoshino

(10) **Patent No.:** **US D896,790 S**
(45) **Date of Patent:** **** Sep. 22, 2020**

- (54) **MICROPHONE WINDSCREEN**
- (71) Applicant: **Audio-Technica Corporation**, Tokyo (JP)
- (72) Inventor: **Satoshi Yoshino**, Tokyo (JP)
- (73) Assignee: **Audio-Technica Corporation**, Tokyo (JP)
- (**) Term: **15 Years**
- (21) Appl. No.: **29/651,827**
- (22) Filed: **Apr. 11, 2019**
- (30) **Foreign Application Priority Data**

2,910,539 A *	10/1959	Hartsfield	H04R 19/04 381/174
D190,864 S	7/1961	Deschamps	
3,007,012 A	10/1961	Olson	
3,201,530 A	8/1965	Levy et al.	
3,338,215 A	8/1967	Chiu et al.	
3,436,495 A	4/1969	Gorike	
3,459,902 A	8/1969	Warning	
D217,354 S *	4/1970	Lane	D14/212
D218,102 S *	7/1970	Schwartz	D13/168
3,560,668 A	2/1971	Warning	
D230,280 S	2/1974	Nygard	
3,806,128 A	4/1974	Endfield	
3,859,140 A	1/1975	Schmidt	

(Continued)

- Oct. 12, 2018 (JP) 2018-022463
- (51) **LOC (12) Cl.** **14-01**
- (52) **U.S. Cl.**
USPC **D14/228**
- (58) **Field of Classification Search**
USPC D14/224-229; D16/244; D17/99;
D6/681; 248/125.1, 166, 185.1;
381/355, 359, 361-363, 365, 366, 369,
381/375; 379/428.01, 428.04, 431,
379/433.03
CPC . H04R 25/00; H04R 1/02; H04R 5/02; H04R
9/08; F16M 11/38; F16M 13/00; F16M
11/00
See application file for complete search history.

- (56) **References Cited**
U.S. PATENT DOCUMENTS
- | | | |
|-------------|---------|------------|
| 1,504,216 A | 8/1924 | Coryell |
| 2,044,422 A | 6/1936 | Davidson |
| 2,493,892 A | 1/1950 | McPhee |
| 2,579,162 A | 12/1951 | Veneklasen |
| 2,584,908 A | 2/1952 | Oblinger |
| D173,367 S | 11/1954 | McVay |

FOREIGN PATENT DOCUMENTS

GB 6058800 4/2019
Primary Examiner — Katie Jane Stofko
 (74) *Attorney, Agent, or Firm* — W&C IP

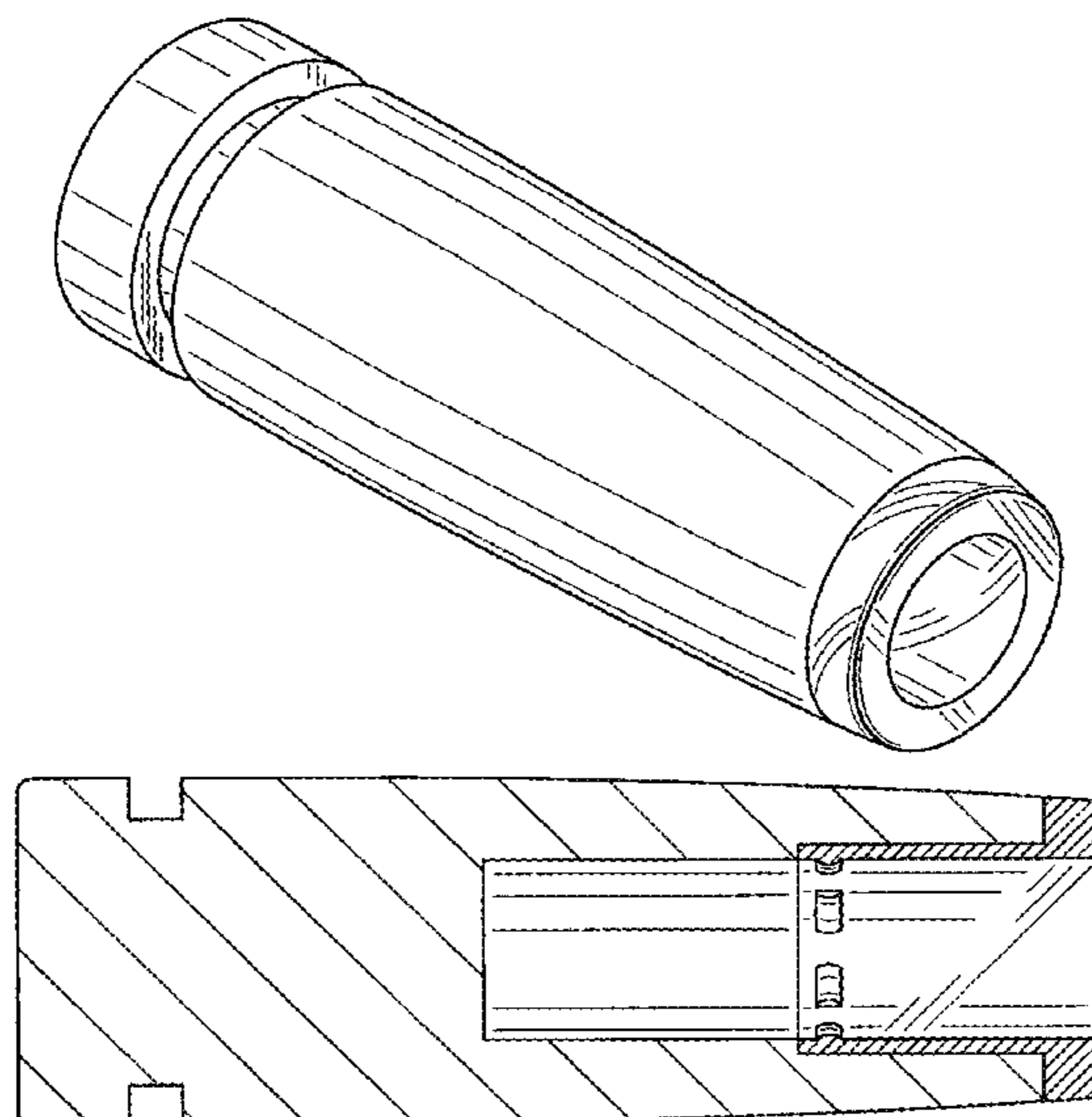
(57) **CLAIM**

The ornamental design for a microphone windscreen, as shown and described.

DESCRIPTION

FIG. 1 is a perspective view of a microphone windscreen; FIG. 2 is a front elevational view of the microphone windscreen, a rear elevational view of the microphone windscreen being mirror symmetrical to the front elevational view; FIG. 3 is a top plan view of the microphone windscreen, a bottom plan view of the microphone windscreen being mirror symmetrical to the top plan view; FIG. 4 is a right side elevational view of the microphone windscreen; FIG. 5 is a left side elevational view of the microphone windscreen; and, FIG. 6 is a sectional view of the microphone windscreen taken along line 6-6 of FIG. 3.

1 Claim, 6 Drawing Sheets



(56)

References Cited

U.S. PATENT DOCUMENTS

3,898,009 A	8/1975	Christensen		7,050,597 B2	5/2006	Akino	
D249,591 S	9/1978	Mijares, Jr.		7,106,869 B2	9/2006	Kanda et al.	
4,117,275 A	9/1978	Miyanaga et al.		D532,372 S	11/2006	Keating	
4,194,096 A	3/1980	Ramsey		D541,412 S	4/2007	Benner	
4,258,235 A	3/1981	Watson		D545,895 S	7/2007	Okutani	
D278,625 S	4/1985	Mathiasen		7,264,081 B2	9/2007	Bruck	
4,546,950 A	10/1985	Cech		D570,644 S	6/2008	Smith et al.	
4,685,137 A	8/1987	Watson et al.		D586,333 S	2/2009	Tkachuk	
D292,701 S *	11/1987	Drever	D14/228	D589,028 S	3/2009	Haapapuro et al.	
4,789,044 A	12/1988	Akino		D595,837 S	7/2009	Benner	
4,836,110 A	6/1989	Burczynski		D602,009 S	10/2009	Perri	
5,444,790 A *	8/1995	Kogen	H04R 1/086 381/189	7,769,408 B2	8/2010	Hansson	
D366,045 S	1/1996	Hirschhorn		7,813,516 B1	10/2010	Graber	
5,675,660 A	10/1997	Townsend		D628,993 S	12/2010	Steyn	
D387,770 S	12/1997	Liao		D639,280 S	6/2011	Hayes	
D395,894 S	7/1998	Hern et al.		D644,206 S *	8/2011	Ponnert	D14/216
D396,715 S	8/1998	Konomi		D644,625 S	9/2011	Iseki	
6,131,616 A	10/2000	Tatsuta et al.		D656,922 S	4/2012	Massaro et al.	
D444,143 S	6/2001	Andreini et al.		D678,253 S	3/2013	Lee et al.	
D447,470 S	9/2001	Obata		D694,221 S	11/2013	Shears et al.	
D449,040 S	10/2001	Weikel et al.		D707,661 S *	6/2014	Okita	D14/228
6,418,229 B1	7/2002	Staat		D726,686 S *	4/2015	Yoon	D14/216
D464,040 S	10/2002	Beraut et al.		D759,632 S *	6/2016	Fischer	D14/204
D479,227 S	9/2003	Marshall		D763,234 S	8/2016	Hara et al.	
6,757,399 B1	6/2004	Cheng		D781,268 S	3/2017	Magi	
D497,156 S	10/2004	Bauman et al.		D801,310 S *	10/2017	Kachwalla	D14/216
D518,727 S	4/2006	Haley et al.		D868,726 S *	12/2019	Kim	D14/204
				D881,169 S *	4/2020	Renwick	D14/228
				2013/0058520 A1	3/2013	Paye	
				2017/0188159 A1 *	6/2017	Akino	H04R 19/04

* cited by examiner

FIG. 1

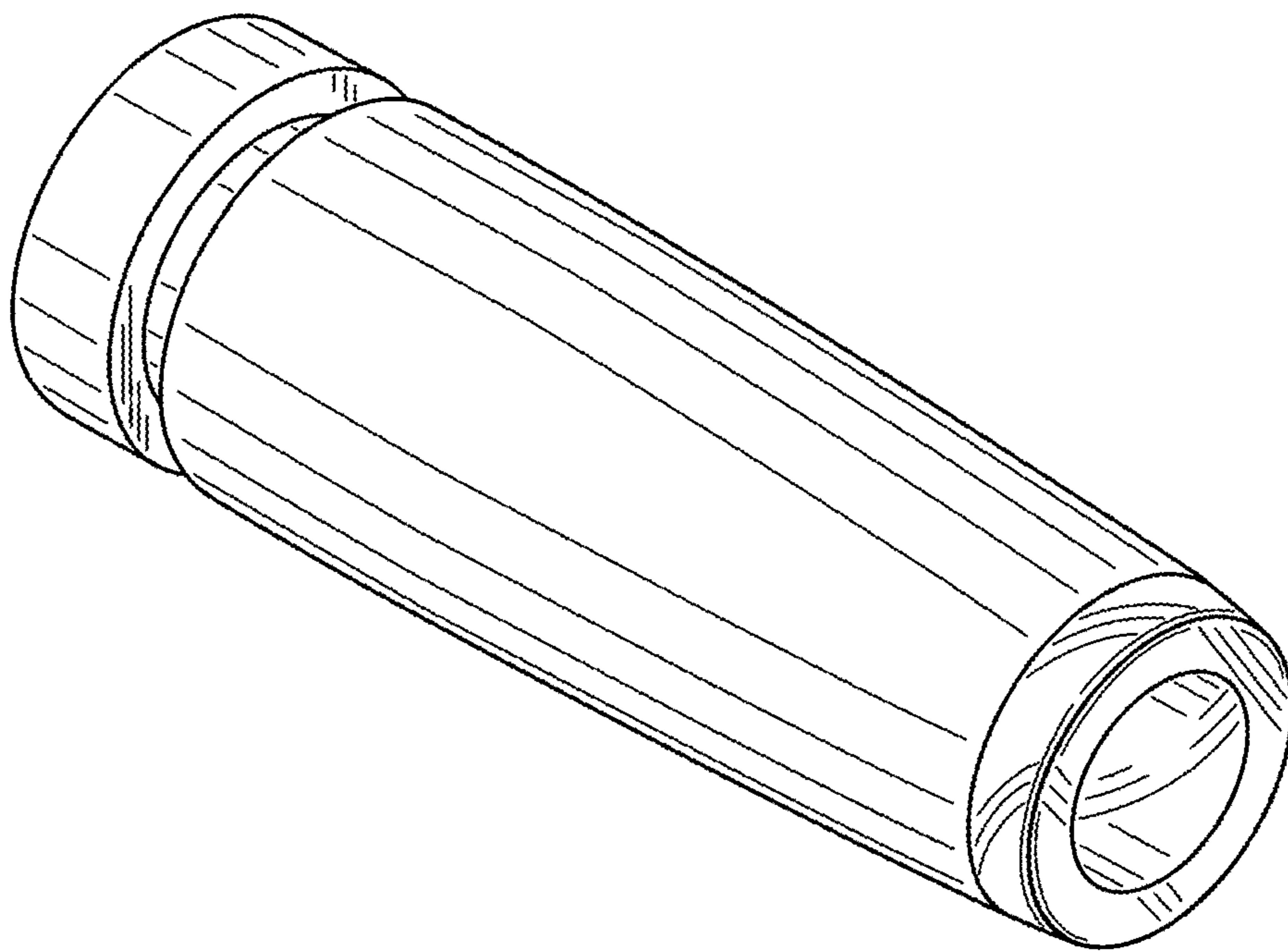


FIG. 2

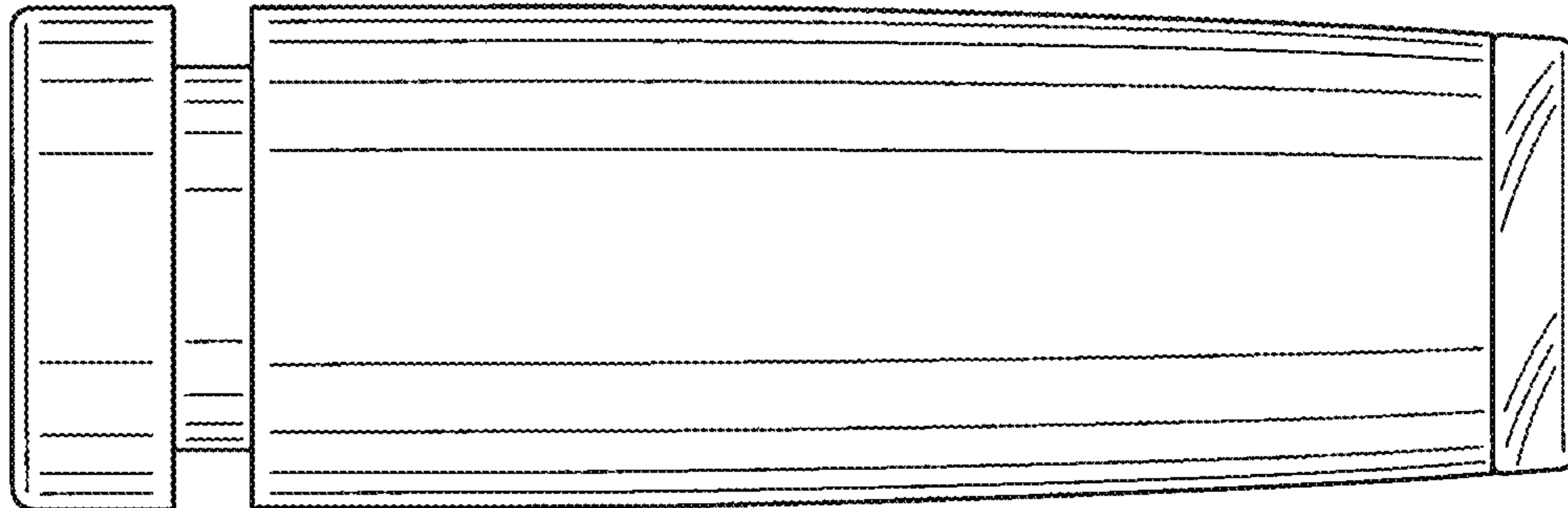


FIG. 3

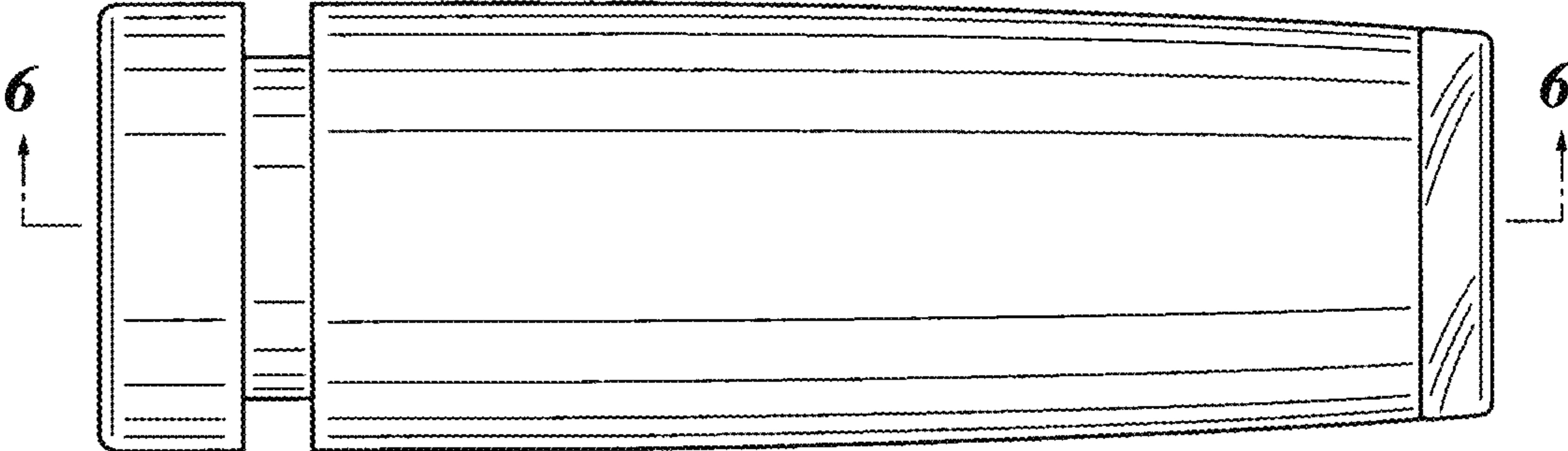


FIG. 4

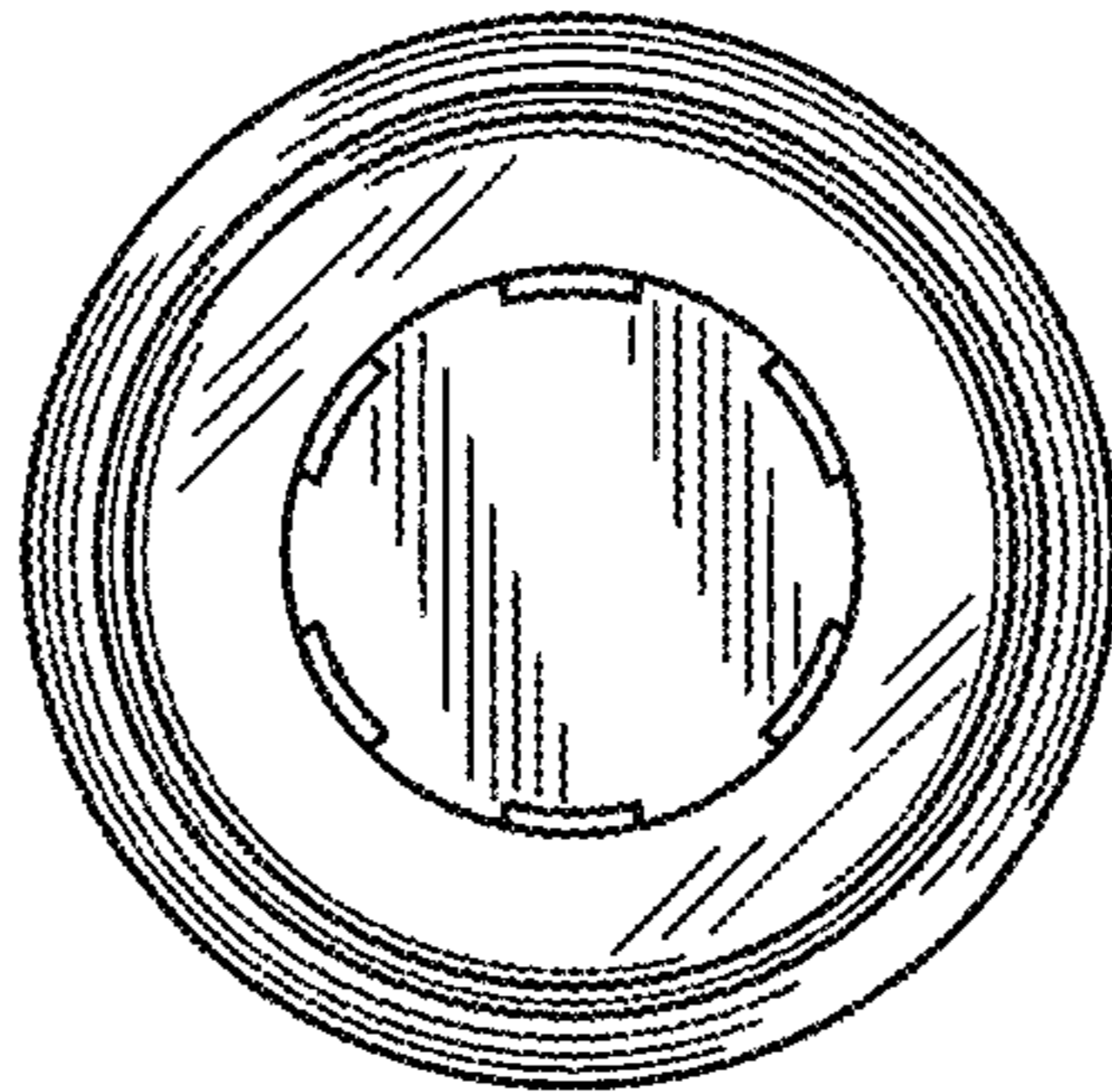


FIG. 5

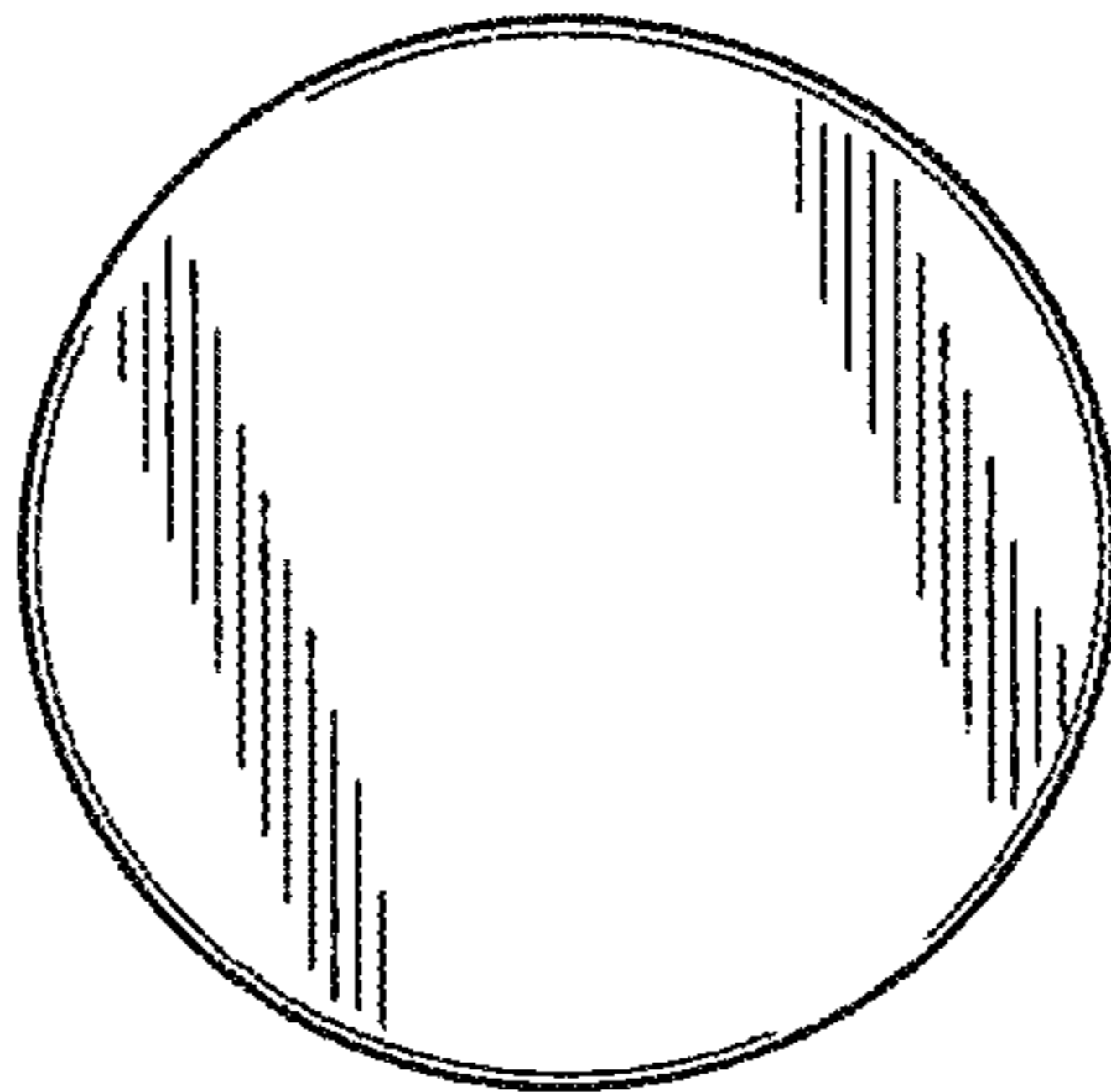


FIG. 6

