



US00D896788S

(12) **United States Design Patent** (10) **Patent No.:** **US D896,788 S**
Akana et al. (45) **Date of Patent:** **** Sep. 22, 2020**

(54) **EARPHONE**

(71) Applicant: **Apple Inc.**, Cupertino, CA (US)

(72) Inventors: **Jody Akana**, San Francisco, CA (US);
Molly Anderson, San Francisco, CA (US);
Bartley K. Andre, Palo Alto, CA (US);
Shota Aoyagi, San Francisco, CA (US);
Anthony Michael Ashcroft, San Francisco, CA (US);
Marine C. Bataille, San Francisco, CA (US);
Jeremy Bataillou, San Francisco, CA (US);
Daniel J. Coster, San Francisco, CA (US);
Daniele De Iuliis, San Francisco, CA (US);
Markus Diebel, San Francisco, CA (US);
M. Evans Hankey, San Francisco, CA (US);
Julian Hoenig, San Francisco, CA (US);
Richard P. Howarth, San Francisco, CA (US);
Jonathan P. Ive, San Francisco, CA (US);
Julian Jaede, San Francisco, CA (US);
Duncan Robert Kerr, San Francisco, CA (US);
Peter Russell-Clarke, San Francisco, CA (US);
Benjamin Andrew Shaffer, San Jose, CA (US);
Mikael Silvanto, San Francisco, CA (US);
Christopher J. Stringer, Woodside, CA (US);
Joe Sung-Ho Tan, San Francisco, CA (US);
Clement Tissandier, San Francisco, CA (US);
Eugene Antony Whang, San Francisco, CA (US);
Rico Zörkendörfer, San Francisco, CA (US)

(73) Assignee: **Apple Inc.**, Cupertino, CA (US)

(**) Term: **15 Years**

(21) Appl. No.: **29/689,378**

(22) Filed: **Apr. 29, 2019**

Related U.S. Application Data

(63) Continuation of application No. 29/624,150, filed on Oct. 30, 2017, now Pat. No. Des. 847,125, which is a

continuation of application No. 29/576,706, filed on Sep. 6, 2016, now Pat. No. Des. 801,314.

(51) **LOC (12) CI.** **14-01**

(52) **U.S. CI.**
USPC **D14/223**

(58) **Field of Classification Search**
USPC D14/223, 205; D24/174; 128/864, 865, 128/866; 381/380, 381; 455/90.3, 575.1, 455/569.1

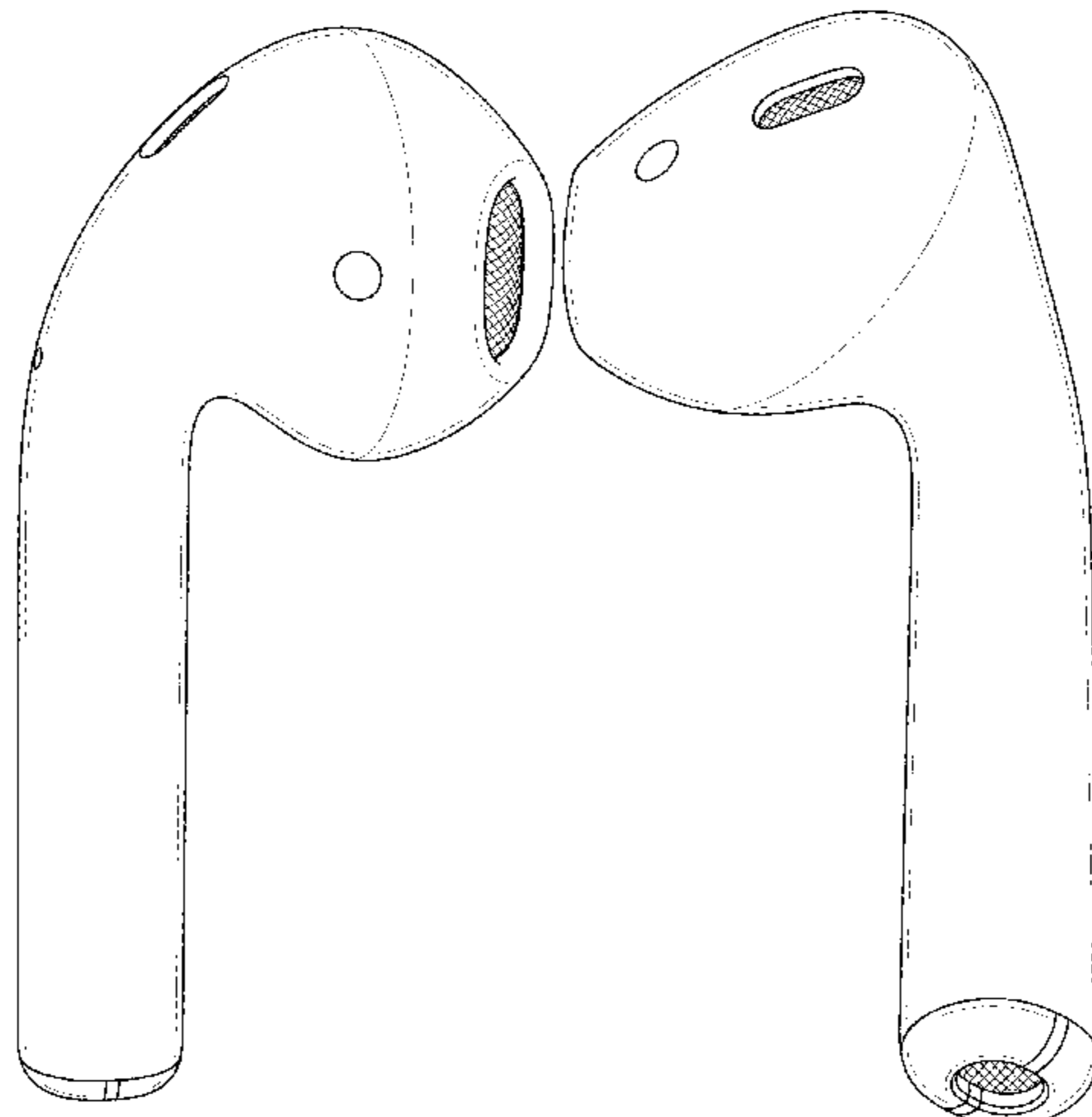
CPC H04R 1/10; H04R 25/00; H04R 25/02; H04R 1/10166; H04R 1/1016; H04R 5/033; H04R 5/0335; H04R 1/105; H04R 1/1091; H04R 1/20

See application file for complete search history.

(56) **References Cited**

U.S. PATENT DOCUMENTS

2,148,477 A	2/1939	Koch
2,595,489 A	5/1952	Rutter et al.
3,368,644 A	2/1968	Henderson
3,459,902 A	8/1969	Warning et al.
3,588,384 A	6/1971	Negley et al.
3,781,492 A	12/1973	Cragg et al.
4,532,649 A	7/1985	Bellafore
4,672,672 A	6/1987	Eggert et al.
4,677,675 A	6/1987	Killion et al.
4,736,430 A	4/1988	Schroeder
4,742,887 A	5/1988	Yamagishi et al.
D296,435 S	6/1988	Kubota
4,889,303 A	12/1989	Wolf et al.
4,893,344 A	1/1990	Traegardh et al.
4,965,838 A	10/1990	Kamon et al.
4,972,492 A	11/1990	Tanaka et al.
D316,550 S	4/1991	Sogabe
D331,057 S	11/1992	Isonaga
D331,061 S	11/1992	Hyohgo
D337,118 S	7/1993	Seikita
D337,589 S	7/1993	Wada
D344,800 S	3/1994	Lamby
D353,379 S	12/1994	Nakamura et al.
5,420,935 A	5/1995	Shinohara et al.
D410,079 S	5/1999	Falco et al.
6,122,369 A	9/2000	Hwang et al.
D463,789 S	10/2002	DeKalb et al.
D469,753 S	2/2003	Andre et al.
6,574,345 B1	6/2003	Huang
D479,837 S	9/2003	Sundquist et al.



6,690,807 B1	2/2004	Meyer	D757,682 S	5/2016	Perez	
D488,460 S	4/2004	Alwicker et al.	D770,412 S	11/2016	Son	
6,731,772 B1	5/2004	Byun	D780,153 S	2/2017	Lukic et al.	
D499,397 S	12/2004	Hlas et al.	D781,268 S	3/2017	Magi et al.	
D505,132 S	5/2005	Linville et al.	D798,844 S	10/2017	Nokuo et al.	
D506,744 S	6/2005	Andre et al.	D801,314 S *	10/2017	Akana	D14/223
D515,070 S	2/2006	Andre et al.	D820,809 S	6/2018	Akana et al.	
D518,008 S	3/2006	Peng	D823,835 S	7/2018	Loermann et al.	
D523,846 S	6/2006	Lee	D828,823 S	9/2018	Lin et al.	
D533,868 S	12/2006	Koizumi	D830,345 S *	10/2018	Cai	D14/223
D540,313 S	4/2007	Rausch et al.	D847,125 S *	4/2019	Akana	D14/223
D554,109 S	10/2007	Ledbetter et al.	D853,995 S *	7/2019	Cai	D14/223
D557,689 S	12/2007	Huang	D869,445 S *	12/2019	Hu	D14/223
D566,687 S	4/2008	Duarte et al.	D878,337 S *	3/2020	Yang	D14/223
D568,291 S	5/2008	Andre et al.	D883,260 S *	5/2020	Hu	D14/223
D573,977 S	7/2008	Ledbetter et al.	D885,373 S *	5/2020	Lundback	D14/223
D575,269 S	8/2008	Ledbetter et al.	D887,396 S *	6/2020	Wang	D14/223
D578,518 S	10/2008	Ewert	D888,691 S *	6/2020	Liu	D14/223
D579,923 S	11/2008	Andre et al.	D889,437 S *	7/2020	Ando	D14/223
D587,677 S	3/2009	Andre et al.	D890,138 S *	7/2020	Peng	D14/223
D589,028 S	3/2009	Haapapuro et al.	2012/0155692 A1	6/2012	Chen	
D589,491 S	3/2009	Andre et al.	2012/0237074 A1	9/2012	Aase	
D589,498 S	3/2009	Komiyama	2013/0004011 A1	1/2013	Hayashida et al.	
D590,375 S	4/2009	Komiyama	2013/0343593 A1	12/2013	Howes et al.	
D593,537 S	6/2009	Arimoto	2013/0343595 A1	12/2013	Zorkendorfer et al.	
D596,616 S	7/2009	Andre et al.	2015/0382100 A1	12/2015	Azmi et al.	
D599,330 S	9/2009	Andre et al.	2017/0164087 A1	6/2017	Kurtz	
D601,134 S	9/2009	Elabidi et al.				
D616,874 S	6/2010	Matsuoka				
D618,209 S	6/2010	Andre et al.				
D618,210 S	6/2010	Andre et al.				
D618,219 S	6/2010	Burgett et al.				
D620,482 S	7/2010	Chen et al.				
D622,265 S	8/2010	Rye				
D626,948 S	11/2010	Nault				
D627,766 S	11/2010	Arimoto				
D628,193 S	11/2010	Zheng				
D632,282 S	2/2011	Kitayama				
D633,086 S	2/2011	Chen				
D635,960 S	4/2011	Gondo et al.				
D639,279 S	6/2011	Andre et al.				
D641,738 S	7/2011	Perez				
D643,416 S	8/2011	Chong et al.				
D652,823 S	1/2012	Chen				
D656,481 S	3/2012	McManigal				
D662,493 S	6/2012	Chen				
D662,495 S	6/2012	Andre et al.				
D664,523 S	7/2012	Naitou				
D666,580 S	9/2012	Lee et al.				
D669,058 S	10/2012	Lee et al.				
D669,453 S	10/2012	Katsuraku et al.				
D674,781 S	1/2013	Sakata				
D675,194 S	1/2013	Andre et al.				
8,345,912 B2	1/2013	Akihiko et al.				
D676,427 S	2/2013	Yang				
8,391,533 B2	3/2013	Sim et al.				
D681,015 S	4/2013	Akana et al.				
D687,418 S	8/2013	Godfrey				
D687,419 S	8/2013	Andre et al.				
8,515,116 B2	8/2013	Lee				
D691,594 S	10/2013	Akana et al.				
D694,220 S	11/2013	Lee et al.				
D706,643 S	6/2014	Akana et al.				
D707,206 S	6/2014	Akana et al.				
D711,857 S	8/2014	Burgett et al.				
8,800,712 B2	8/2014	Campbell et al.				
D712,279 S	9/2014	Akana et al.				
D718,284 S	11/2014	Shibusawa				
D718,285 S	11/2014	Shibusawa				
8,965,030 B2	2/2015	Aase				
D728,533 S	5/2015	Poulsen et al.				
D732,007 S	6/2015	Oksman et al.				
D732,008 S	6/2015	Akana et al.				
D733,101 S	6/2015	Pi et al.				
D733,689 S	7/2015	Narita				
D738,864 S	9/2015	Lee				
D741,287 S	10/2015	Harata et al.				
D747,295 S	1/2016	Eastwood et al.				
D755,759 S	5/2016	Cai				

FOREIGN PATENT DOCUMENTS

CN	301938367 S	5/2012
CN	302414771 S	4/2013
CN	302672007 S	12/2013
CN	303180712 S	4/2015
CN	303634602 S	4/2016
CN	303640496 S	4/2016
CN	303701471 S	6/2016
EM	007983143-0001	* 6/2020
EM	007983168-0001	* 6/2020
EM	008007330-0001	* 6/2020
EM	008020077-0001	* 6/2020

OTHER PUBLICATIONS

iBlink WLP3 Earbuds—100Hz-10kHz, Noise Isolation, 3.5mm Jack, LED Light (Pink), White, TigerDirect.com, accessed at http://www.tigerdirect.com/applications/SearchTools/item-details.asp?EdpNo=3988300&csid=_61, last accessed on Jan. 31, 2013; 4 pages.

Japanese Patent Office Document HJ 21000610, dated Jul. 26, 2017.
Japanese Patent Office Document HJ 27054573, dated Jul. 26, 2017.
Philips SHE2650/37 In-Ear Earbuds with Twin Vents, ShoppingNexus.com, accessed at <http://www.shoppingnexus.com/electronics/pr/philips-she265037-in-ear-earbuds-with-twin-vents1.html>, last accessed on Jan. 31, 2013; 1 page.

* cited by examiner

Primary Examiner — Paula Allen Greene
(74) *Attorney, Agent, or Firm* — Sterne, Kessler, Goldstein & Fox P.L.L.C.

(57) CLAIM

The ornamental design for an earphone, as shown and described.

DESCRIPTION

FIG. 1 is a front perspective view of an earphone showing the claimed design;
FIG. 2 is a bottom perspective view thereof;
FIG. 3 is a front view thereof;
FIG. 4 is a rear view thereof;

FIG. 5 is a left side view thereof;
FIG. 6 is a right side view thereof;
FIG. 7 is a top view thereof;
FIG. 8 is a bottom view thereof;
FIG. 9 is a front perspective view of another embodiment of
an earphone showing the claimed design;
FIG. 10 is a bottom perspective view thereof;
FIG. 11 is a front view thereof;
FIG. 12 is a rear view thereof;
FIG. 13 is a right side view thereof;
FIG. 14 is a left side view thereof;
FIG. 15 is a top view thereof; and,
FIG. 16 is a bottom view thereof.

1 Claim, 14 Drawing Sheets

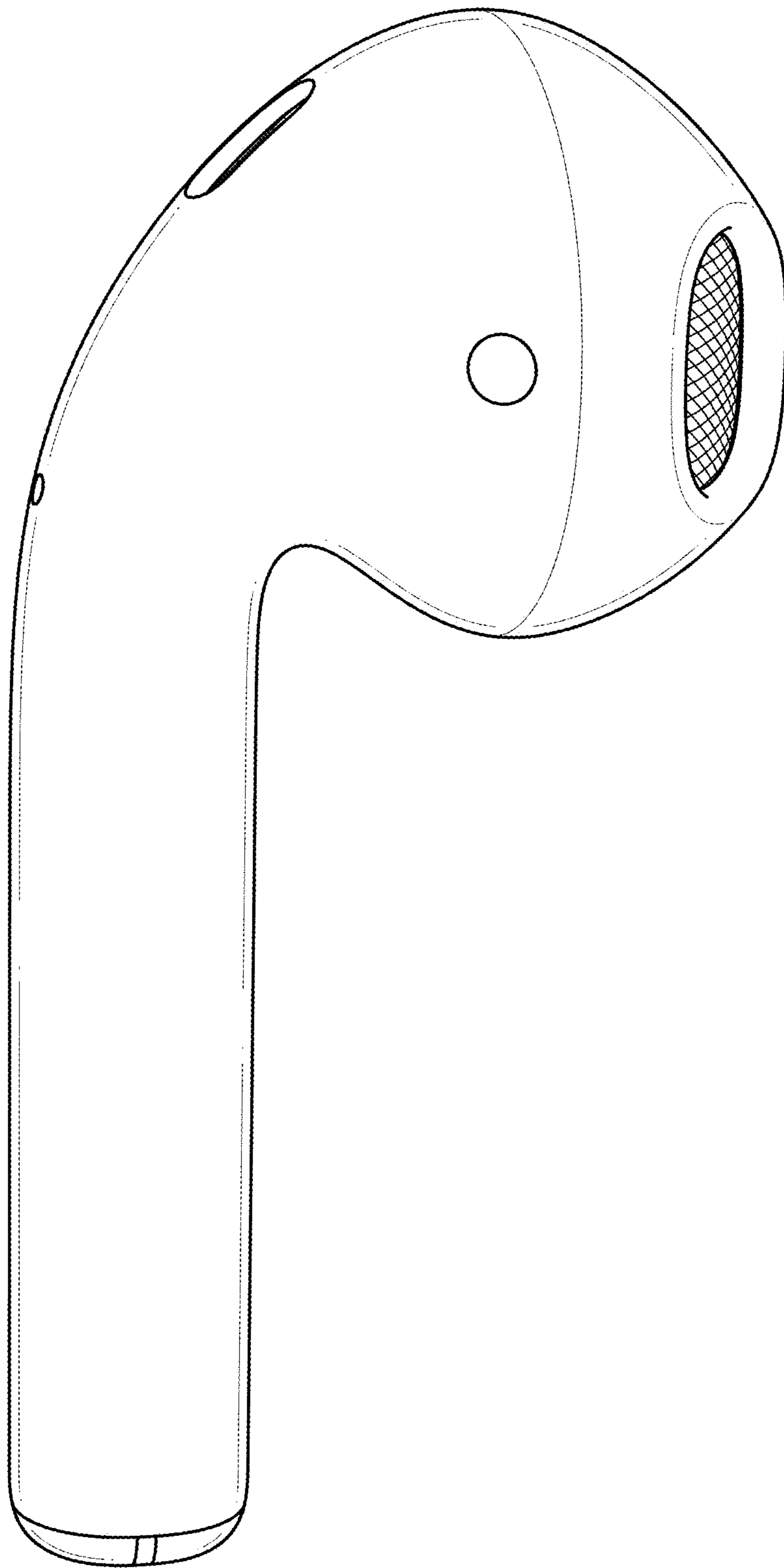


FIG. 1

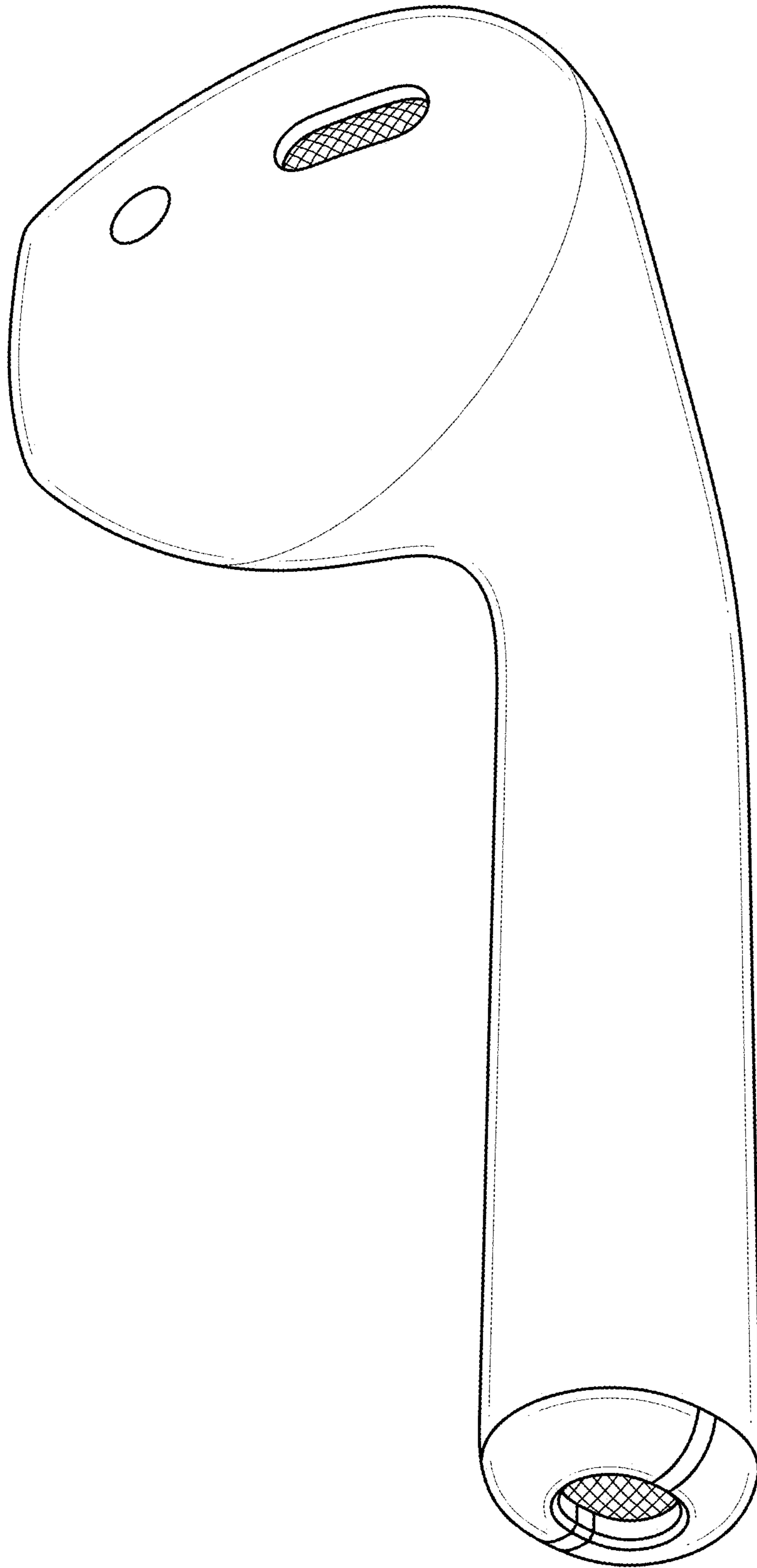


FIG. 2

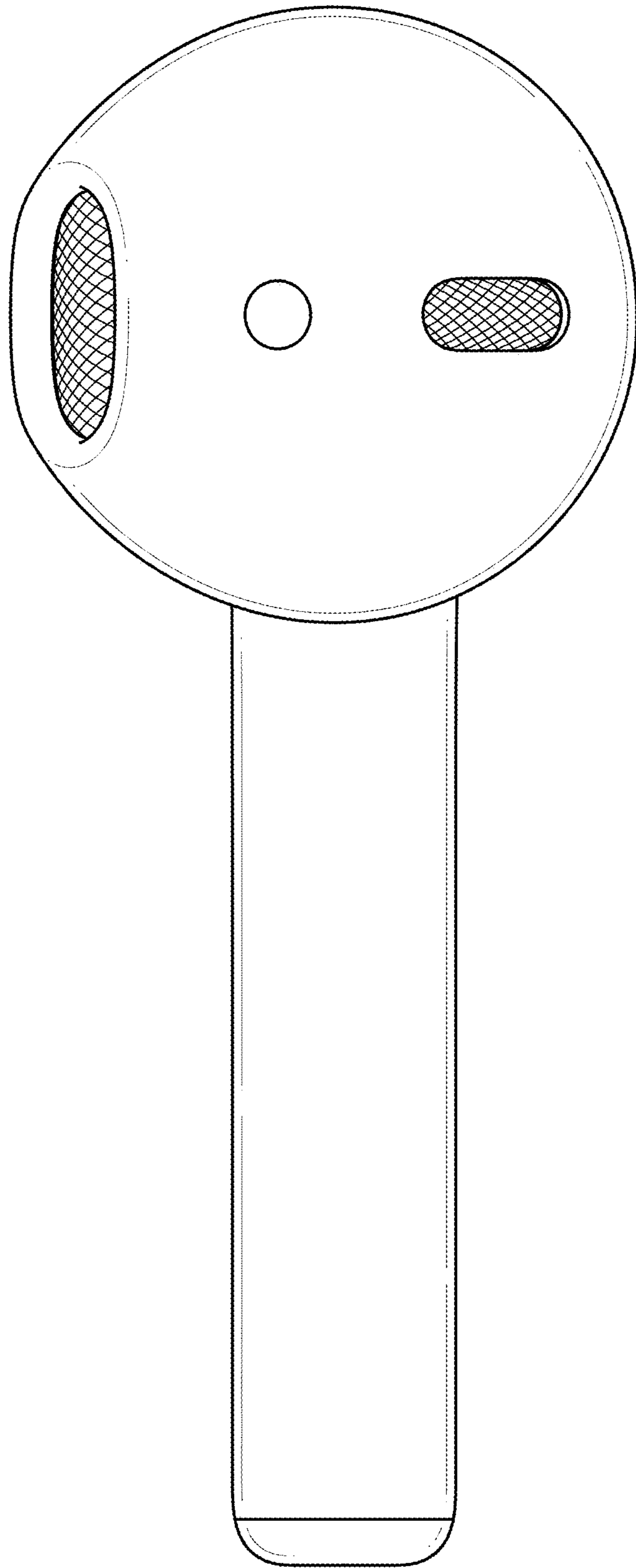


FIG. 3

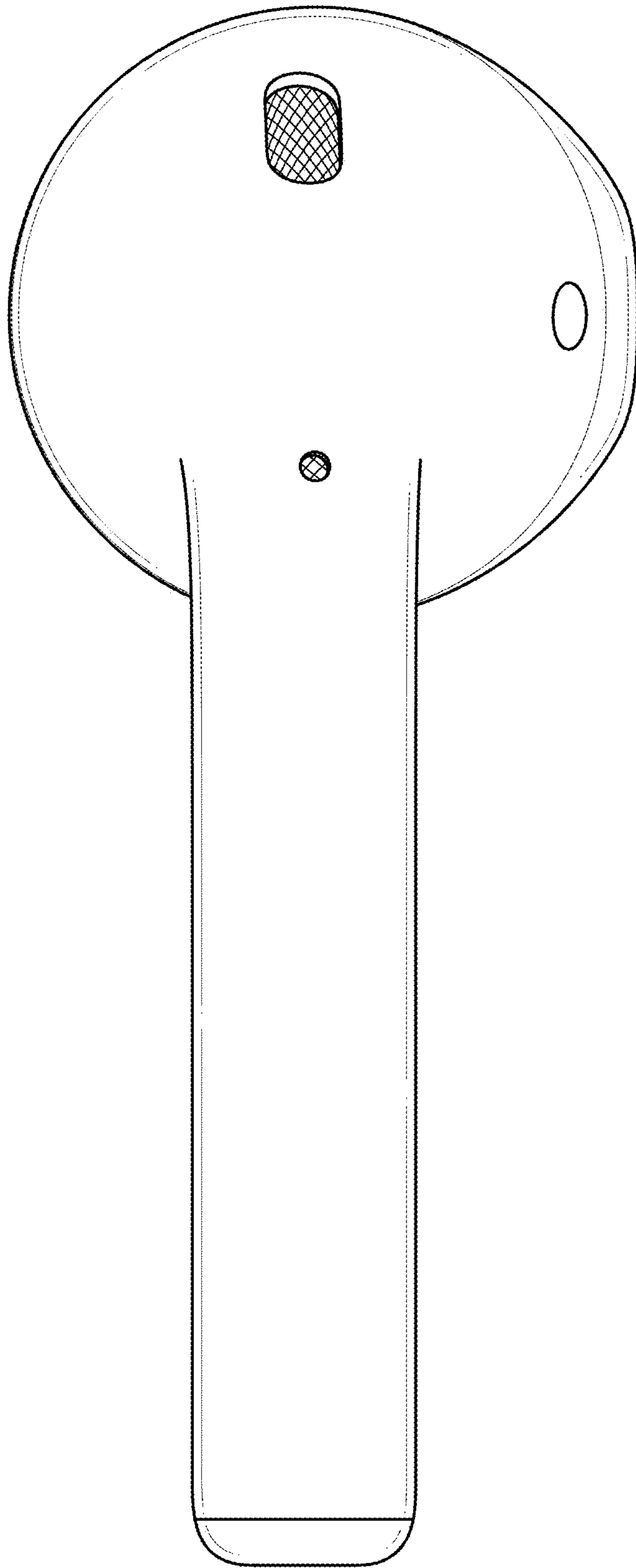


FIG. 4

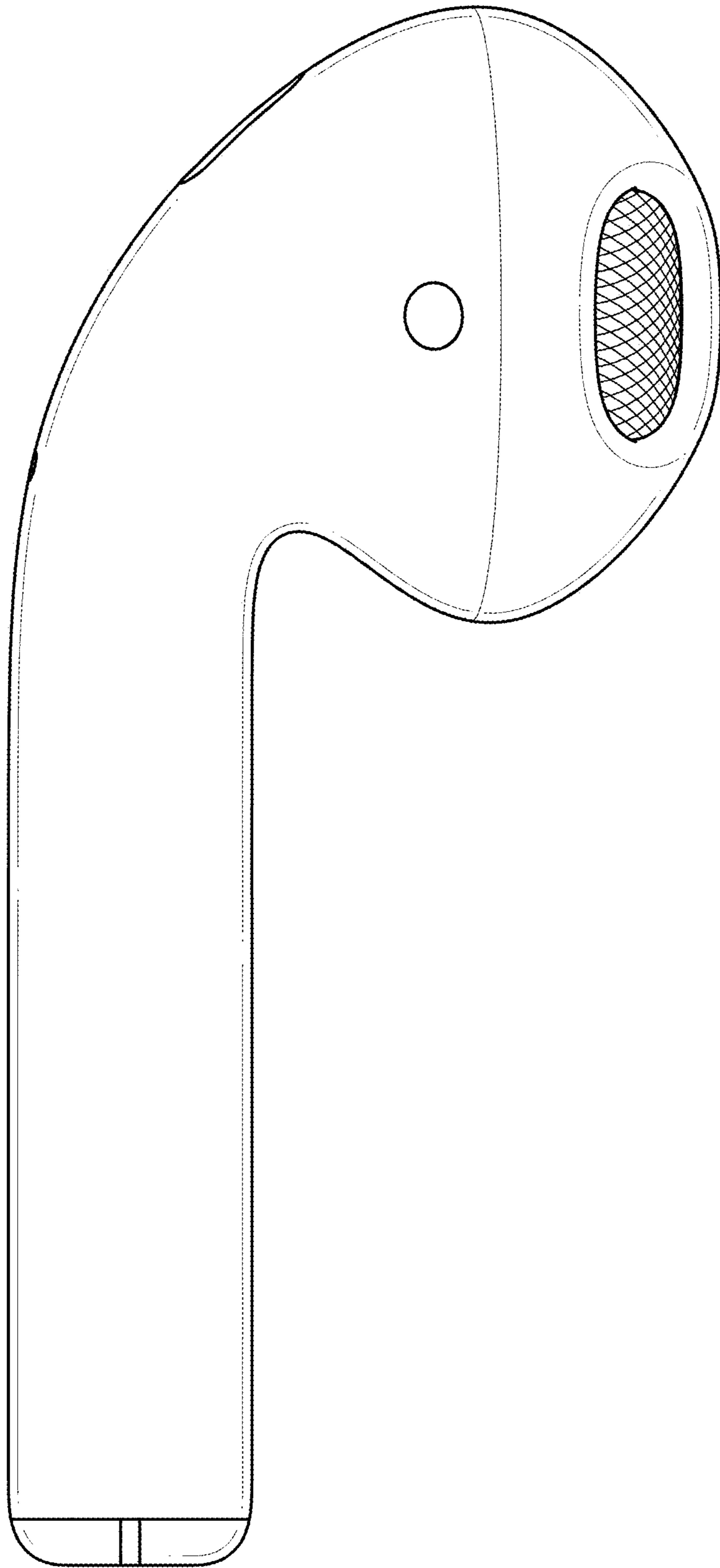


FIG. 5

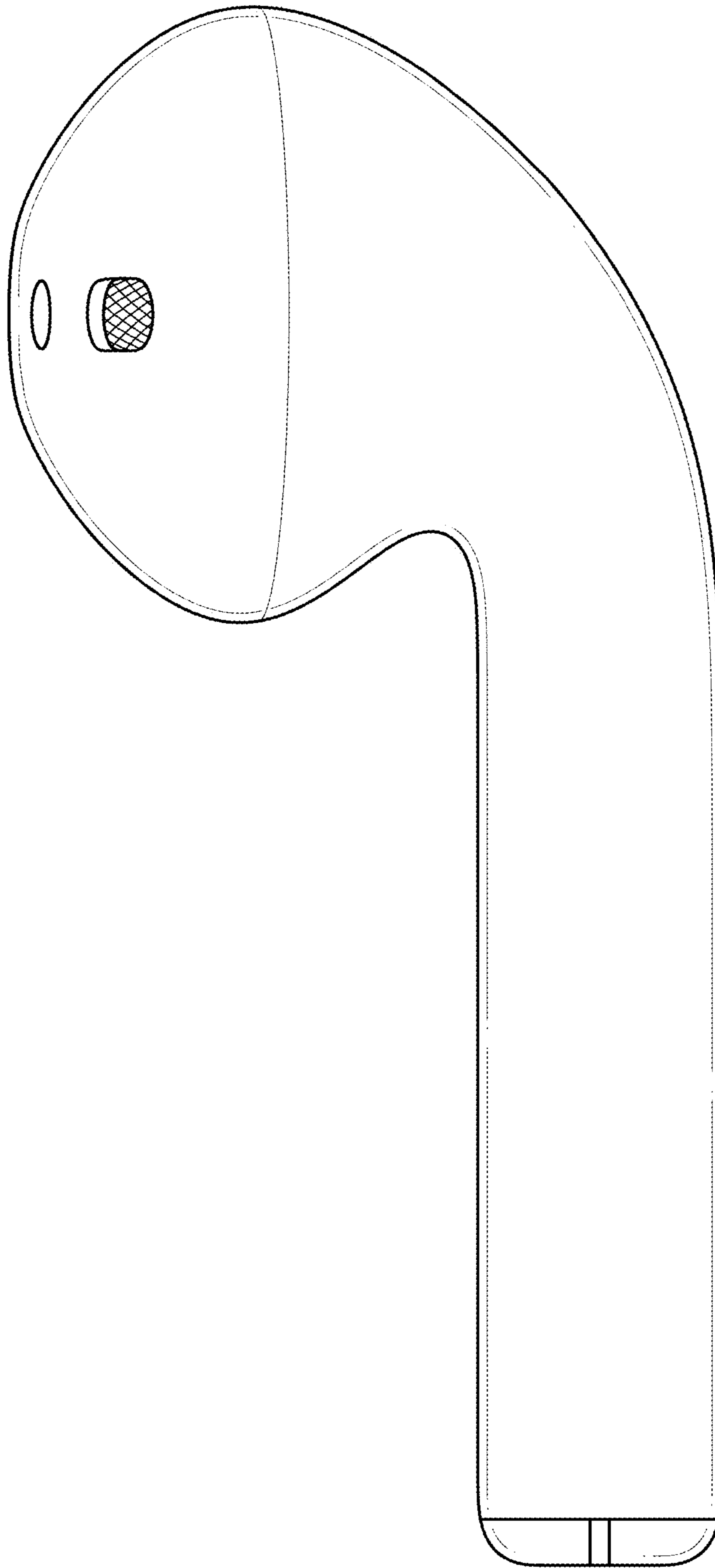


FIG. 6

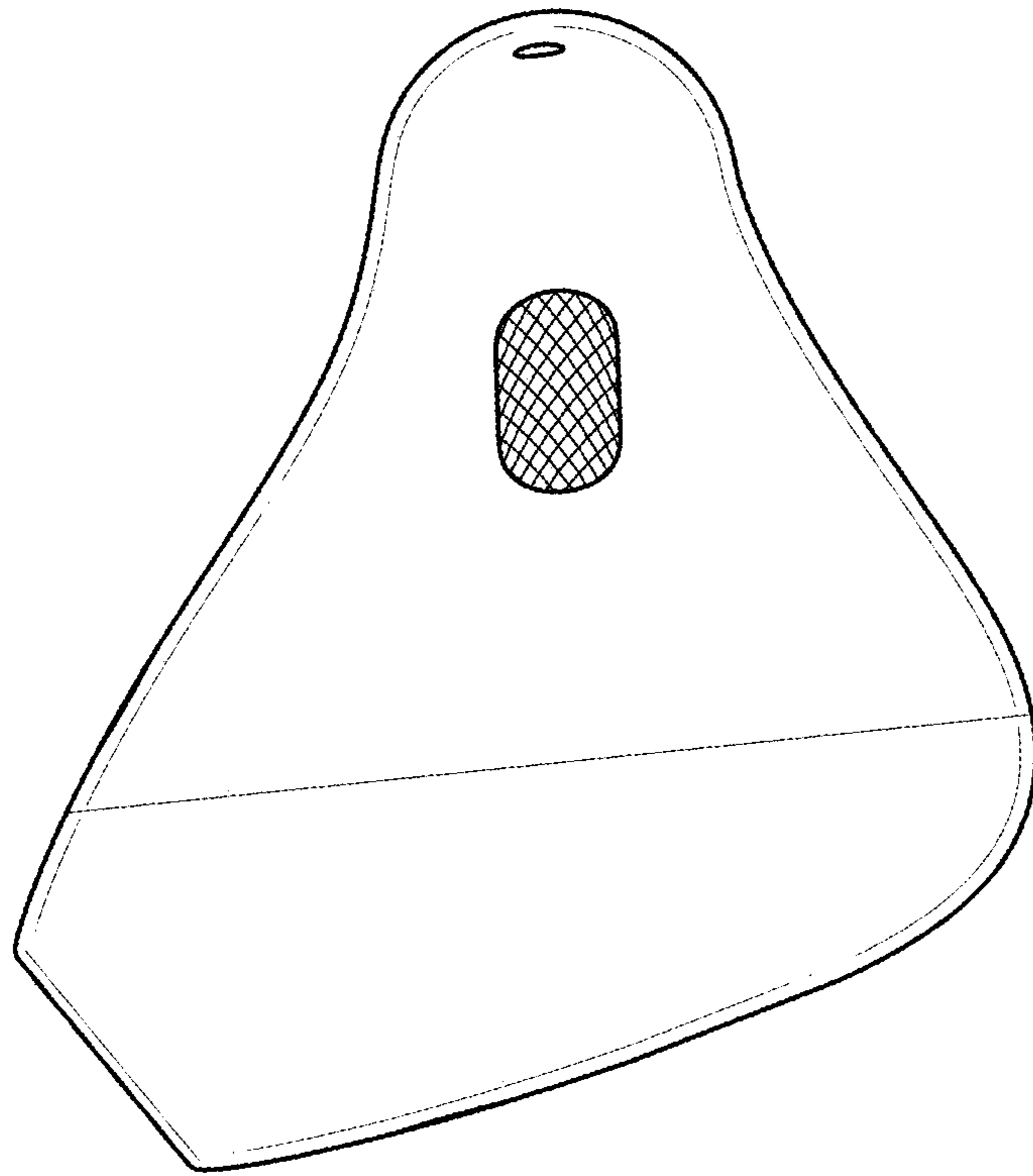


FIG. 7

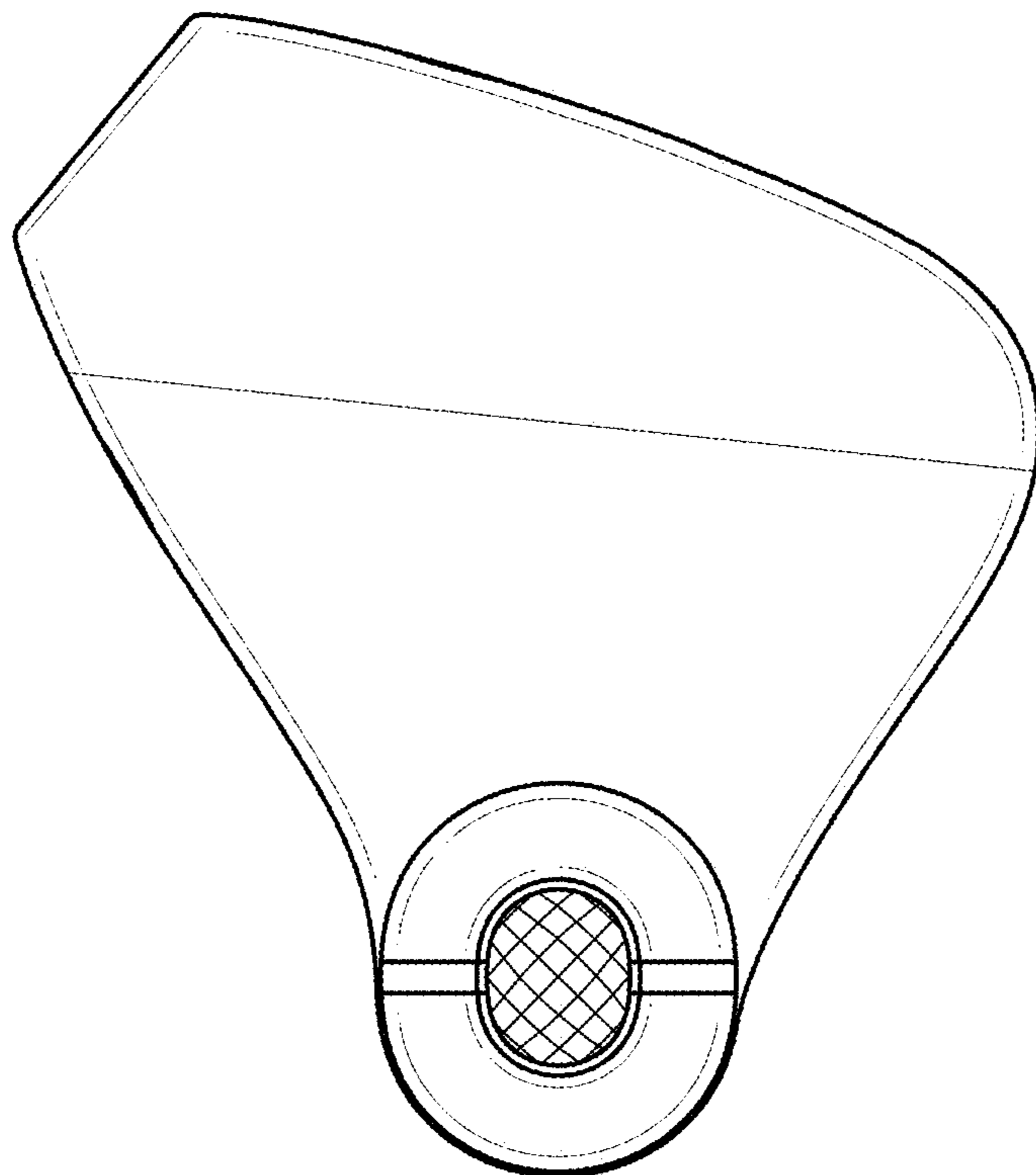


FIG. 8

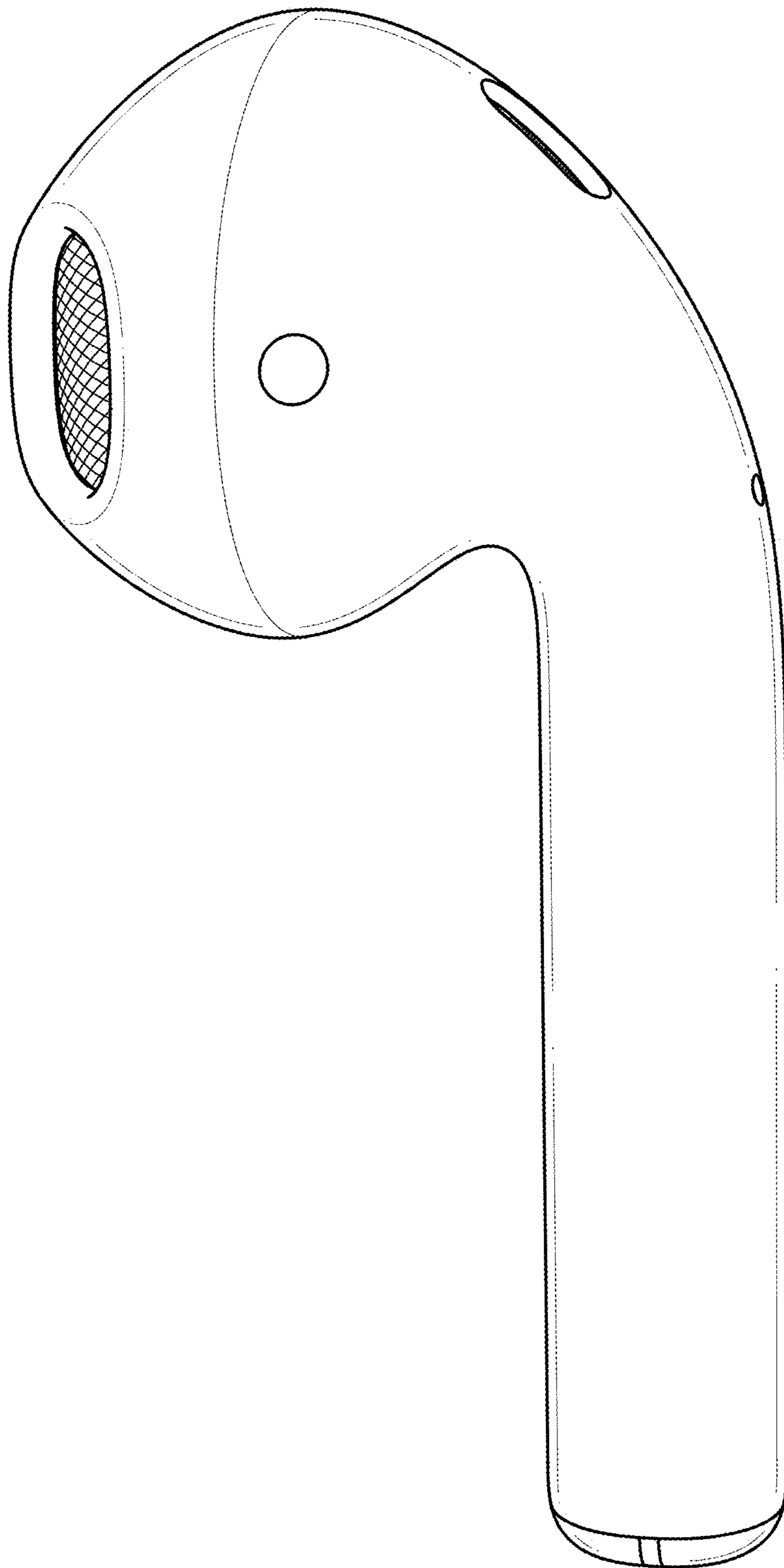


FIG. 9

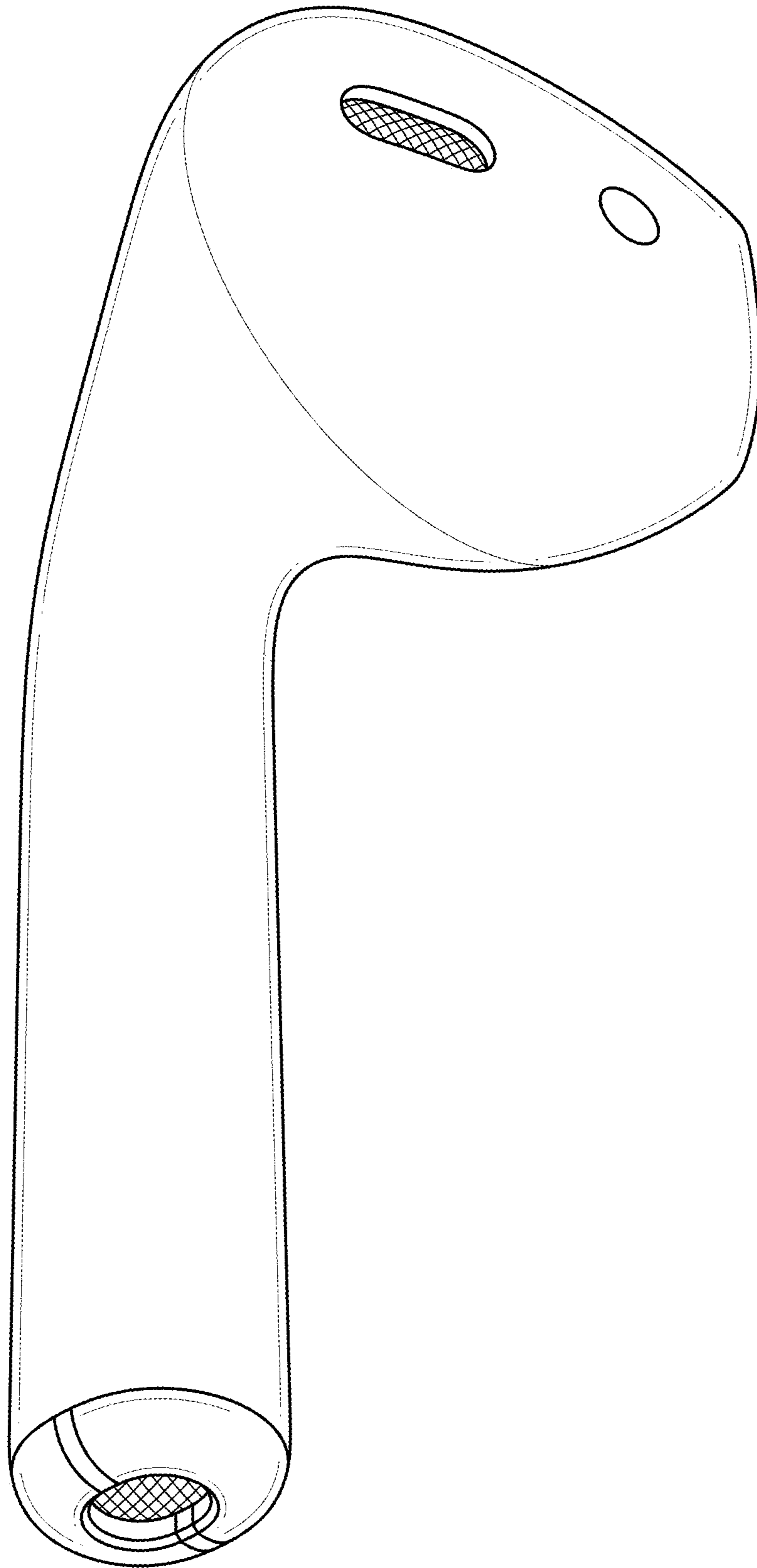


FIG. 10

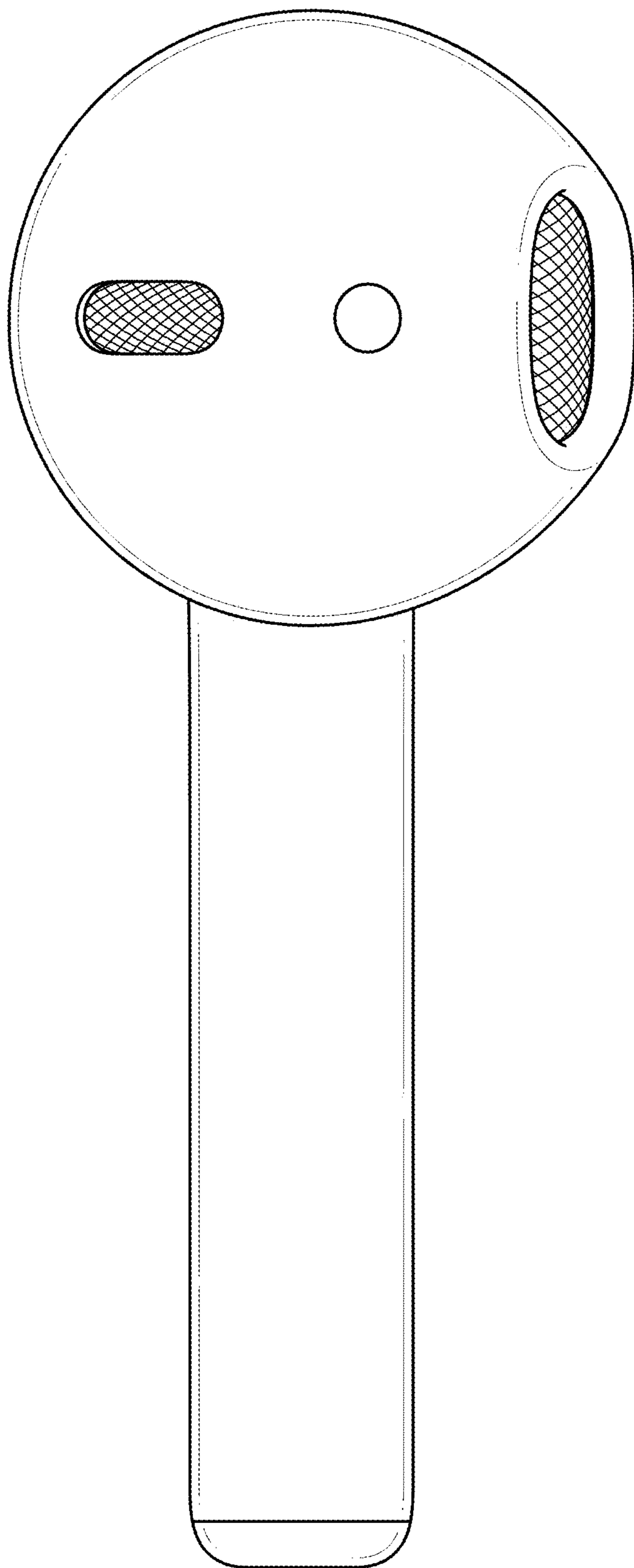


FIG. 11

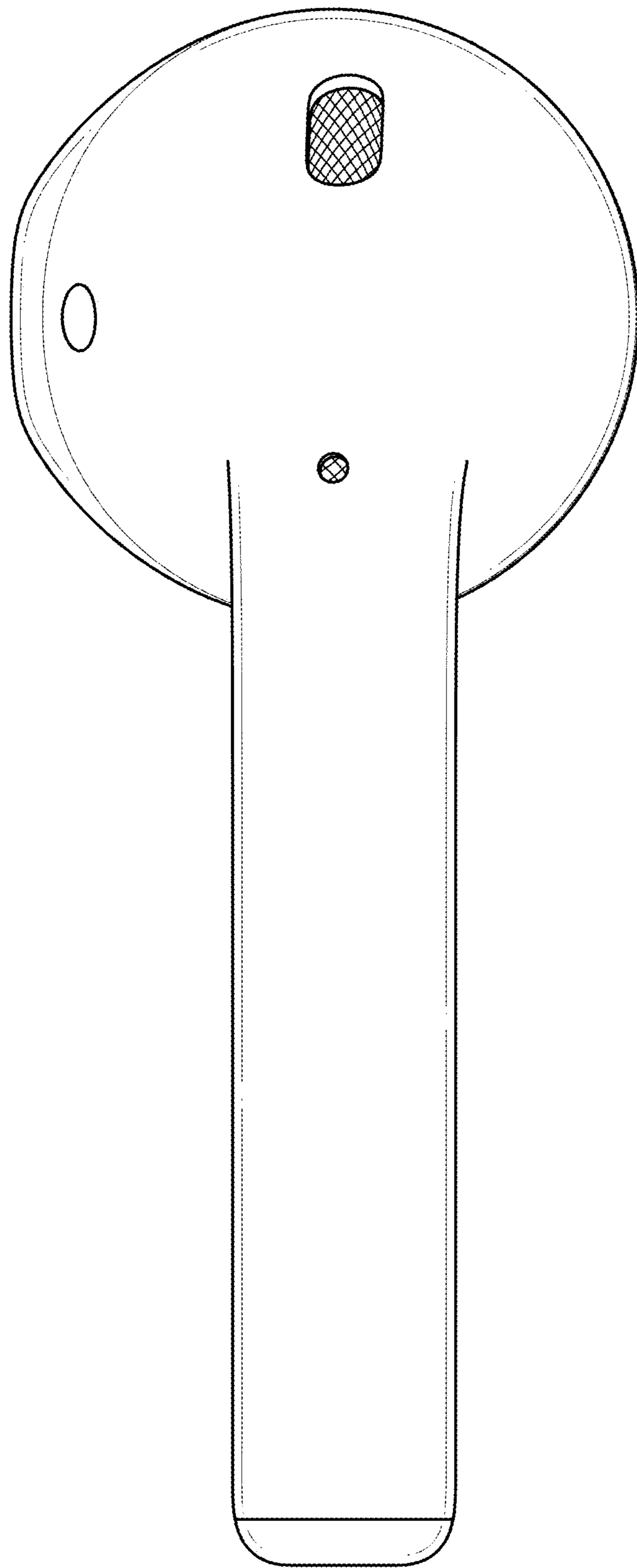


FIG. 12

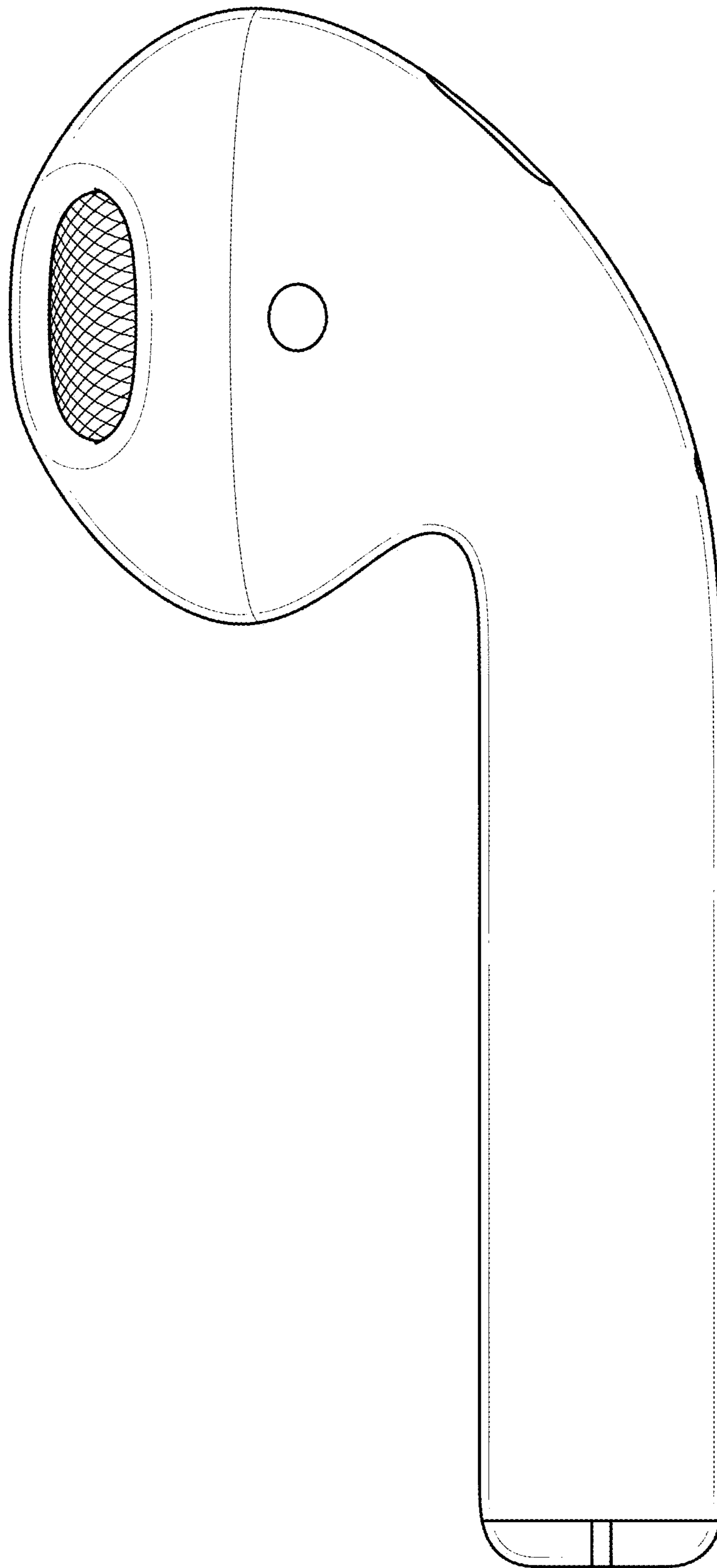


FIG. 13

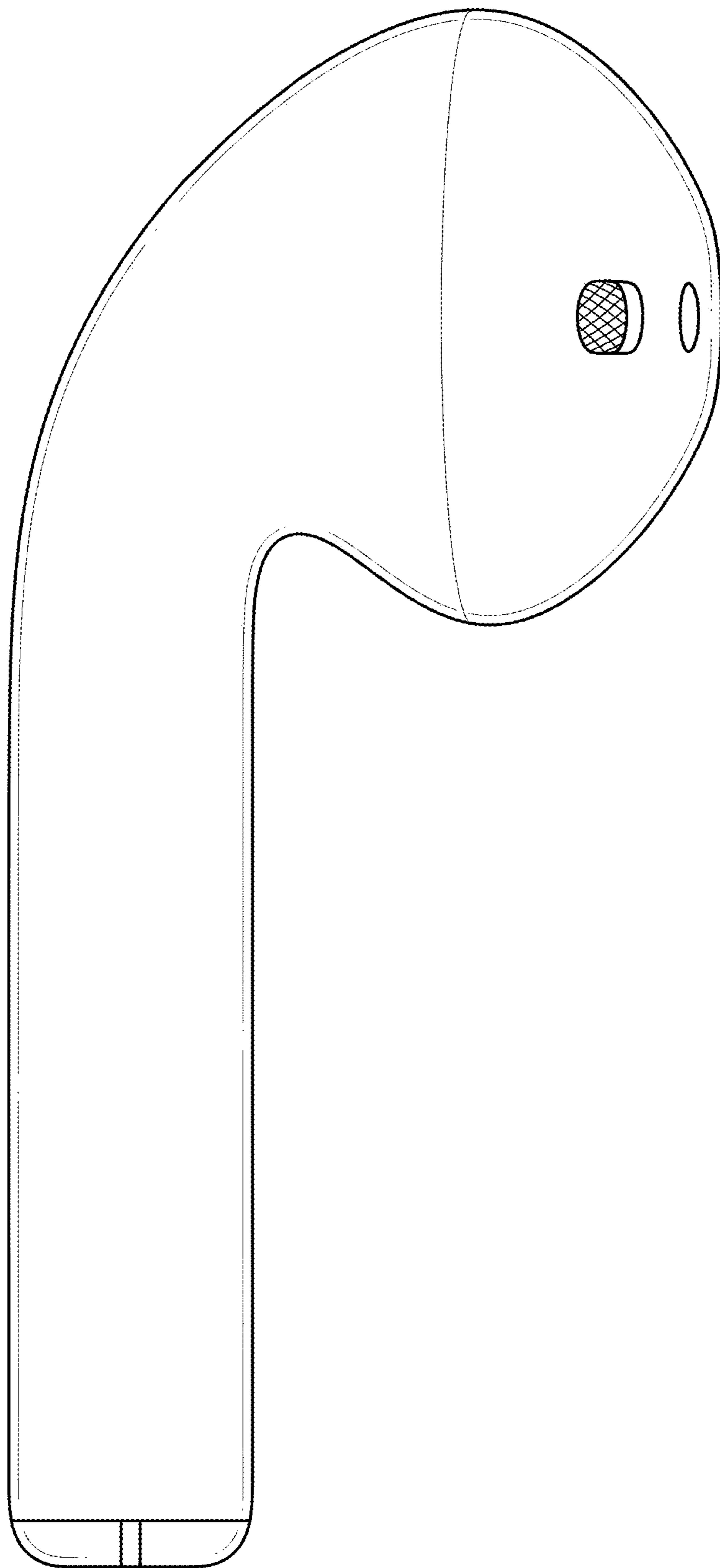


FIG. 14

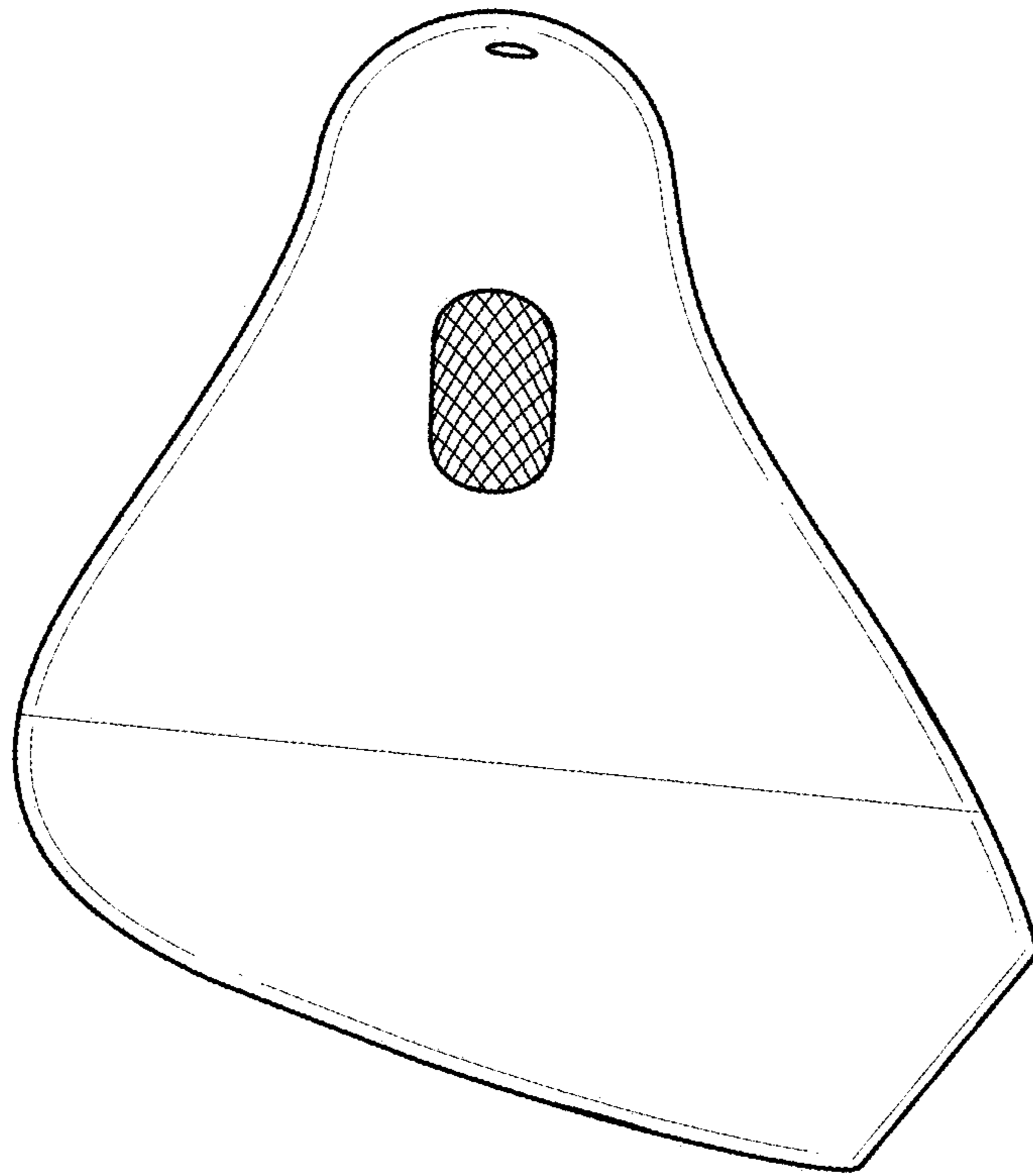


FIG. 15

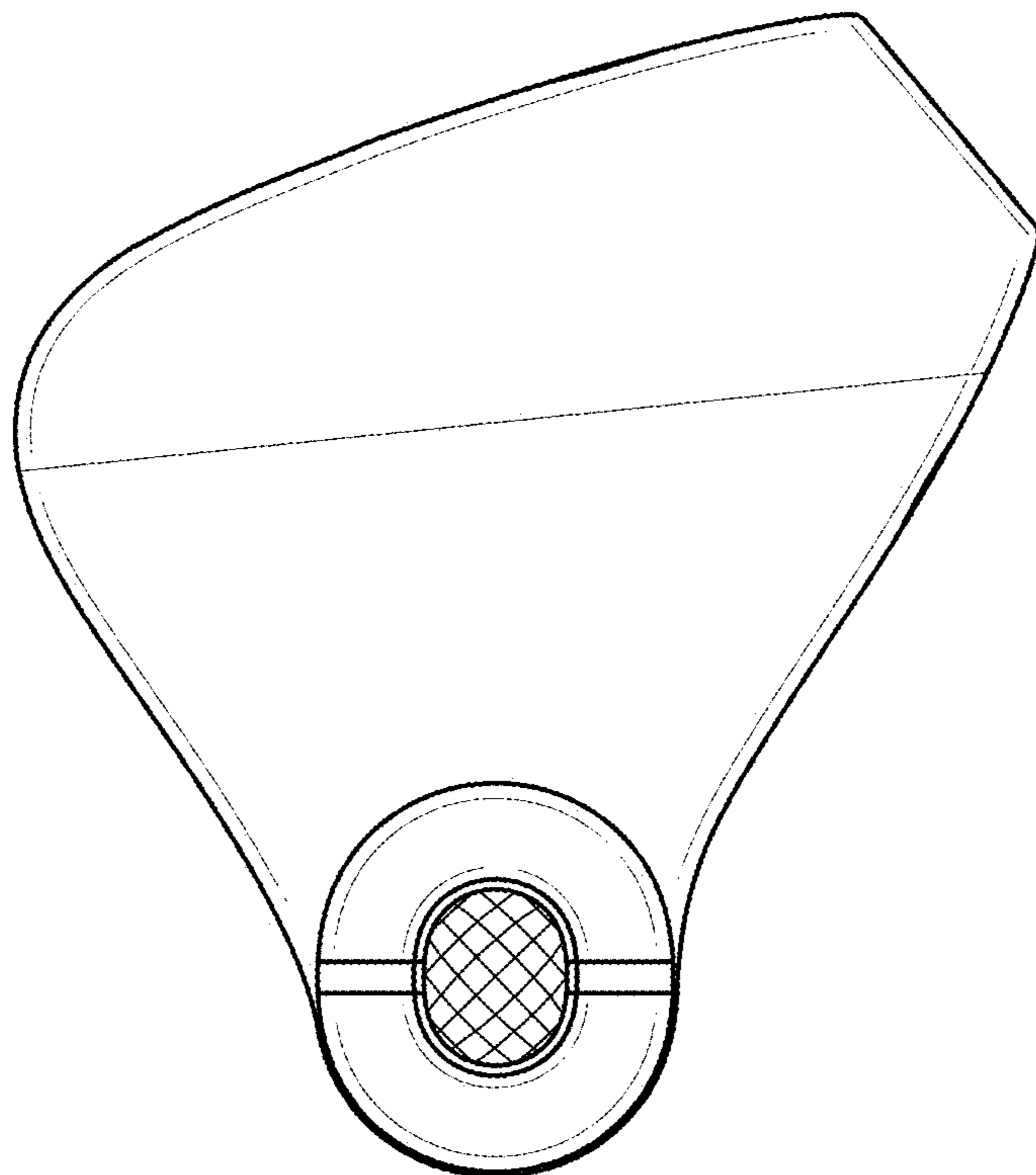


FIG. 16