

US00D896786S

(12) **United States Design Patent** (10) **Patent No.:** **US D896,786 S**
Yang (45) **Date of Patent:** **** Sep. 22, 2020**

(54) **REMOTE CONTROLLER**
(71) Applicant: **JETMAX LIGHTING INDUSTRIAL CO., LIMITED**, Dongguan, Guangdong (CN)
(72) Inventor: **Ping Yang**, Guangdong (CN)
(73) Assignee: **JETMAX LIGHTING INDUSTRIAL CO., LTD.**, Dongguan, Guangdong
(**) Term: **15 Years**

D661,689 S * 6/2012 Weitgasser D14/218
D723,478 S * 3/2015 Turksu D13/168
D742,857 S * 11/2015 Andresen D14/218
D752,555 S * 3/2016 Langhammer D14/218
D754,637 S * 4/2016 Harper D14/206
D763,830 S * 8/2016 Jones D14/218
D770,422 S * 11/2016 Park D14/218
D778,266 S * 2/2017 Maier D14/218
D783,568 S * 4/2017 Pista D14/144
D787,474 S * 5/2017 Yap D14/218
D807,861 S * 1/2018 VanDuyen D14/218
D828,336 S * 9/2018 Matvienko D14/218
D839,241 S * 1/2019 Pang D14/218
D875,718 S * 2/2020 Lee D14/218

* cited by examiner

(21) Appl. No.: **29/679,415**
(22) Filed: **Feb. 5, 2019**
(51) **LOC (12) Cl.** **14-03**
(52) **U.S. Cl.**
USPC **D14/218; D13/168**
(58) **Field of Classification Search**
USPC D14/218, 496, 434, 203.3, 225, 205,
D14/203.7, 388, 402; D13/168
CPC H03J 3/12; G08G 5/0013; H04N 5/44543;
G06F 3/016
See application file for complete search history.

Primary Examiner — John Windmuller
(74) *Attorney, Agent, or Firm* — Pai Patent & Trademark Law Firm; Chao-Chang David Pai

(57) **CLAIM**

The ornamental design for a remote controller, as shown and described.

DESCRIPTION

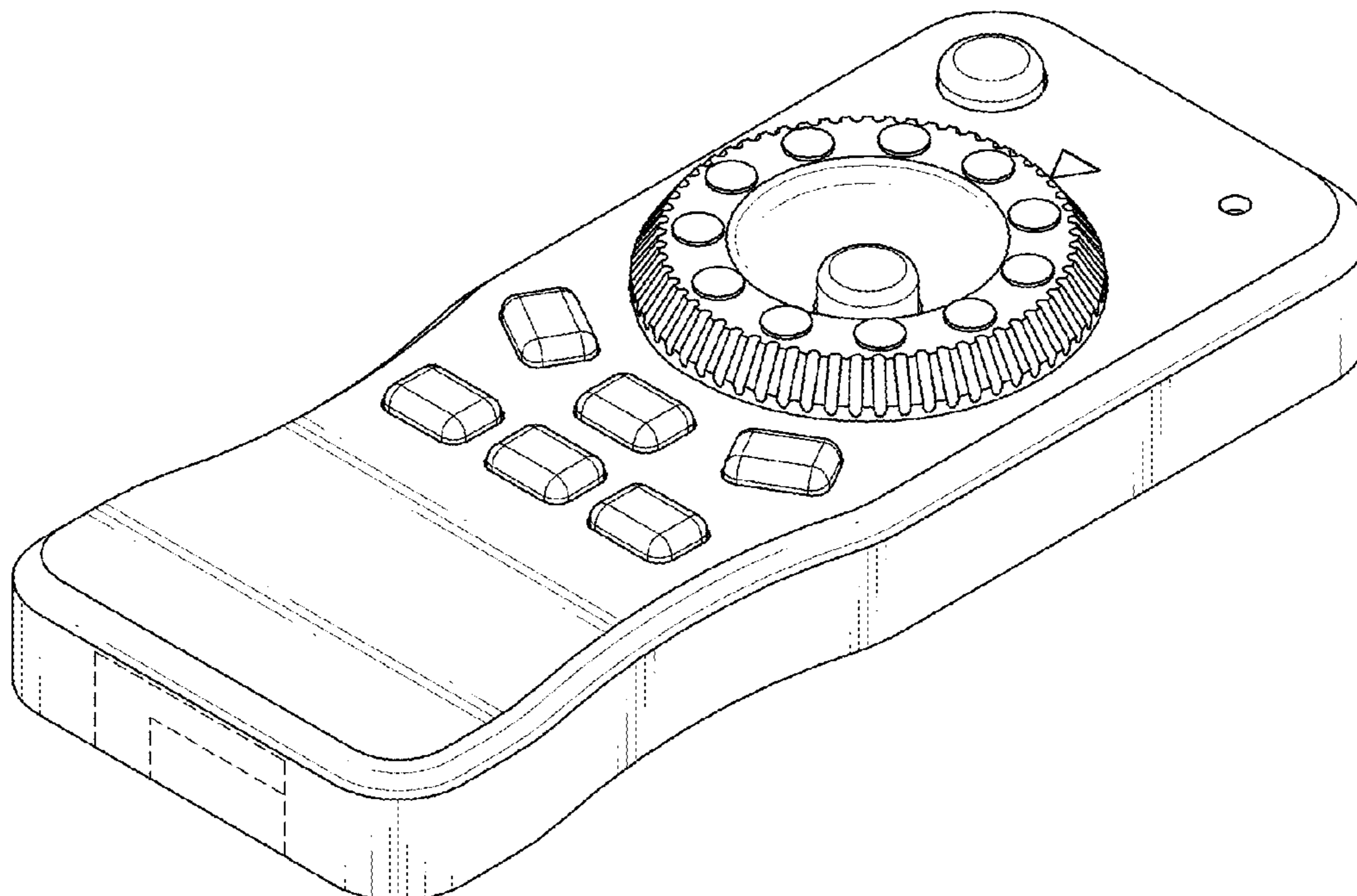
FIG. 1 is a perspective view of a remote controller showing my new design;
FIG. 2 is a front elevation view thereof;
FIG. 3 is a rear elevation view thereof;
FIG. 4 is a left side elevation view thereof;
FIG. 5 is a right side elevation view thereof;
FIG. 6 is a top plan view thereof; and,
FIG. 7 is a bottom plan view thereof.
The broken lines shown are included for the purpose of illustrating unclaimed portions of the article and form no part of the claimed design.

(56) **References Cited**

U.S. PATENT DOCUMENTS

D417,219 S * 11/1999 Barrette D14/218
D522,495 S * 6/2006 Papoula D14/218
D523,421 S * 6/2006 Figueroa D14/144
D559,202 S * 1/2008 Sim D13/168
D568,827 S * 5/2008 Ikeda D13/168
D595,669 S * 7/2009 Endo D13/168
D634,734 S * 3/2011 Cho D14/218
D641,735 S * 7/2011 Santa Maria D14/218
D645,848 S * 9/2011 Arnholt D14/218

1 Claim, 7 Drawing Sheets



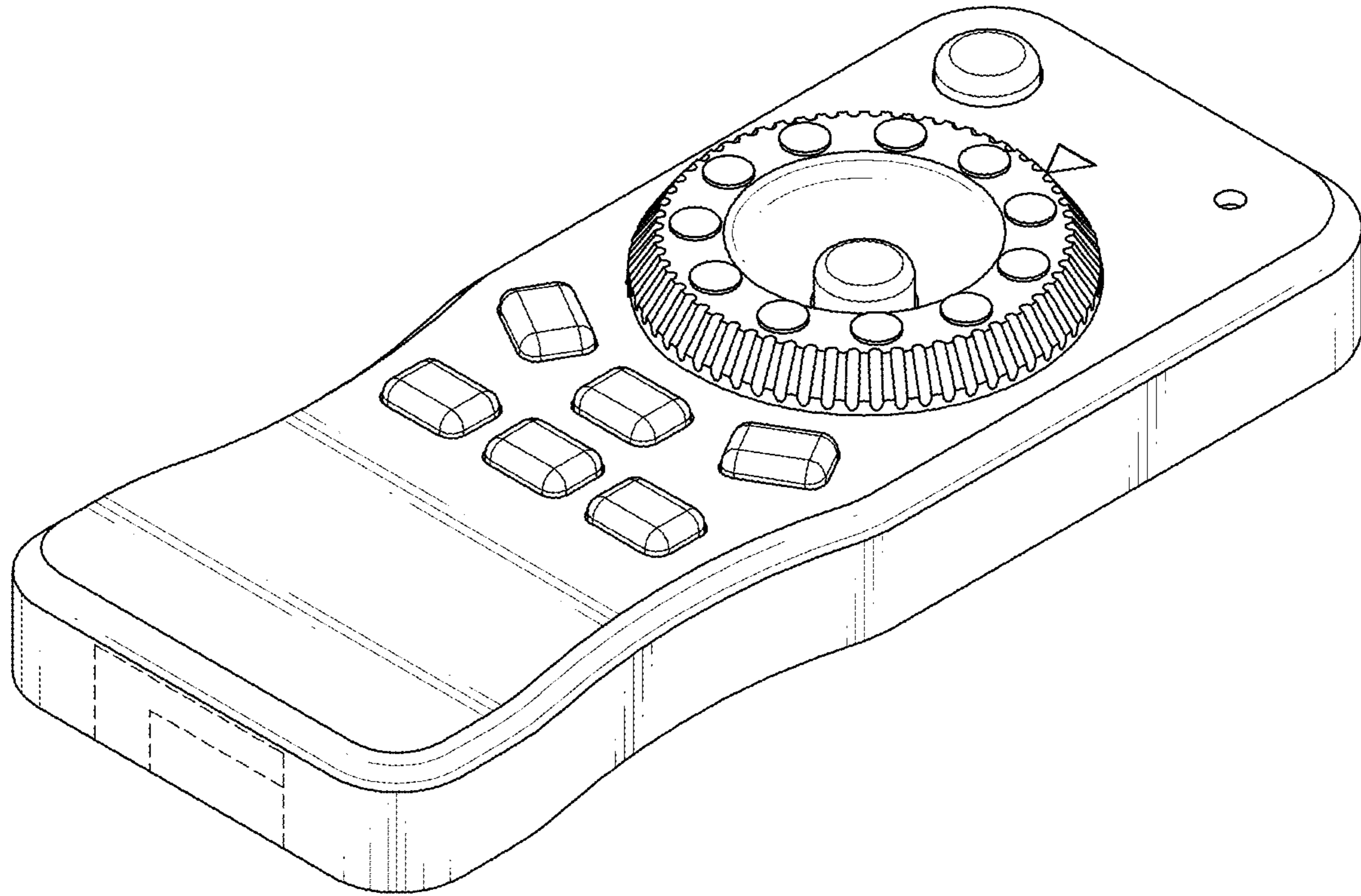


FIG.1

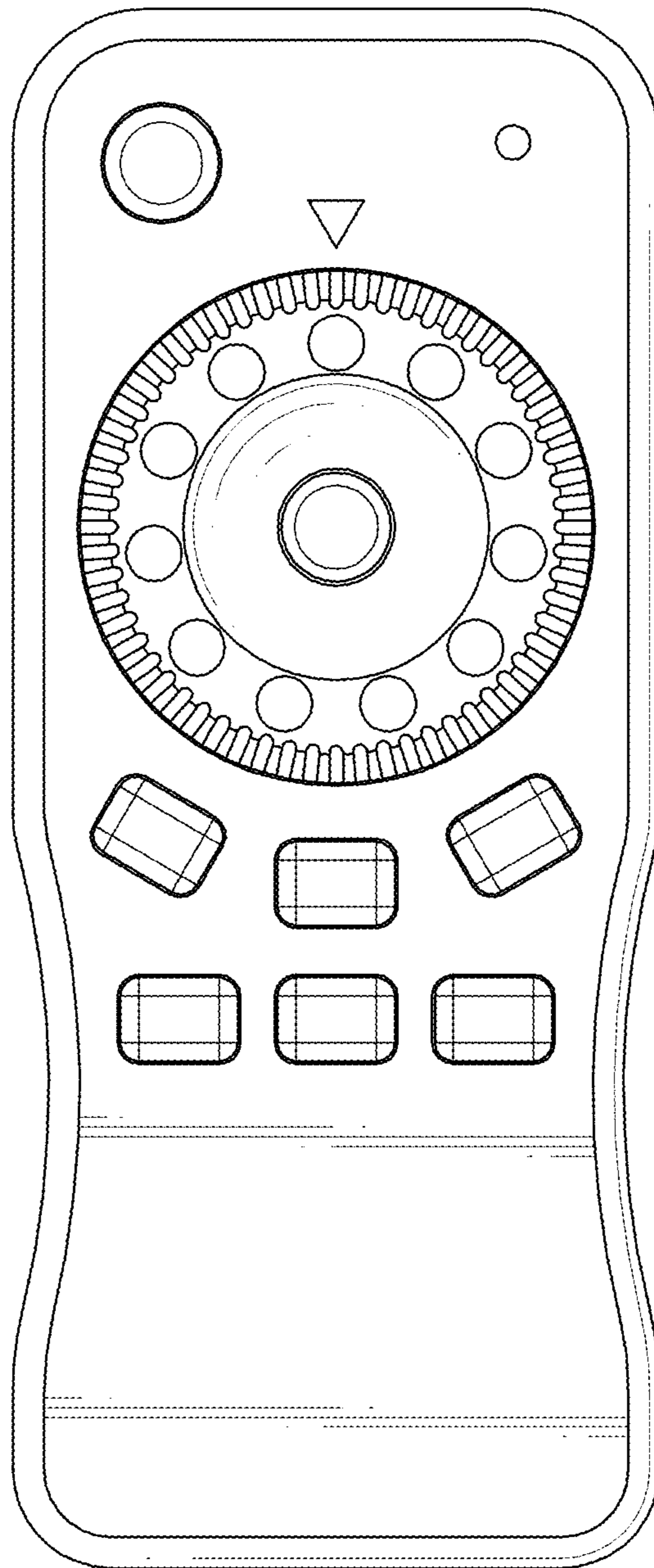


FIG.2

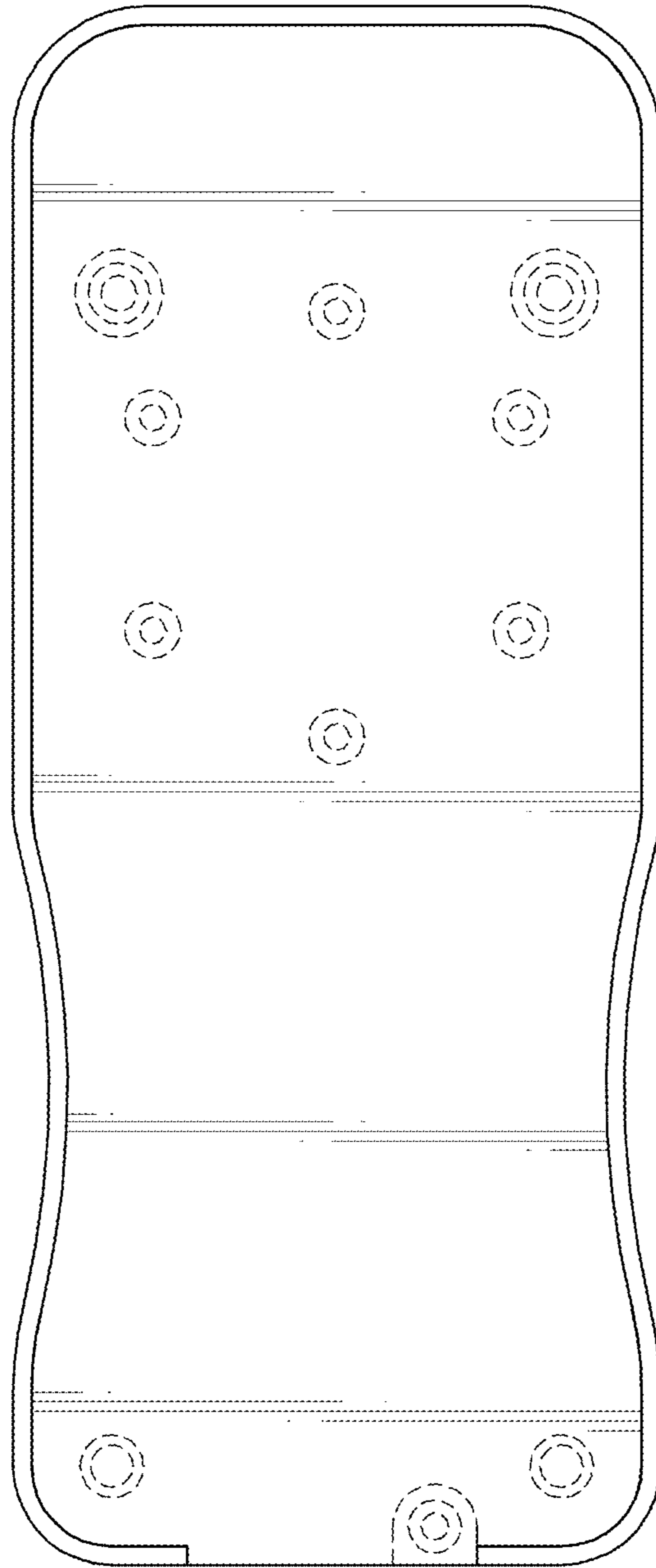


FIG.3

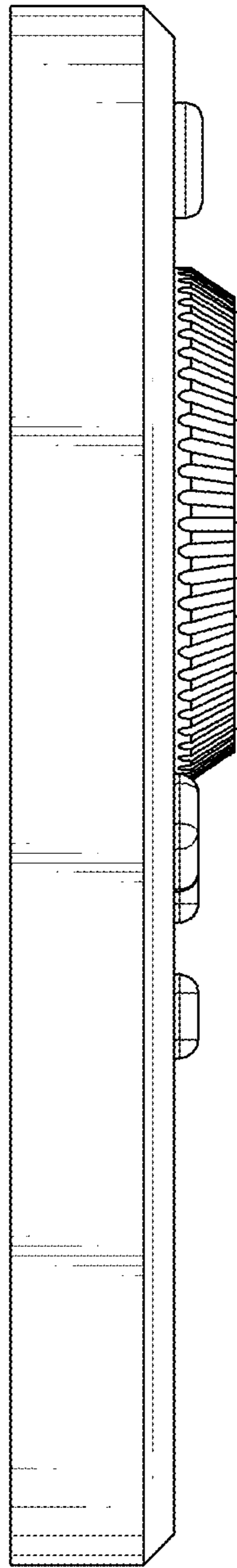


FIG.4

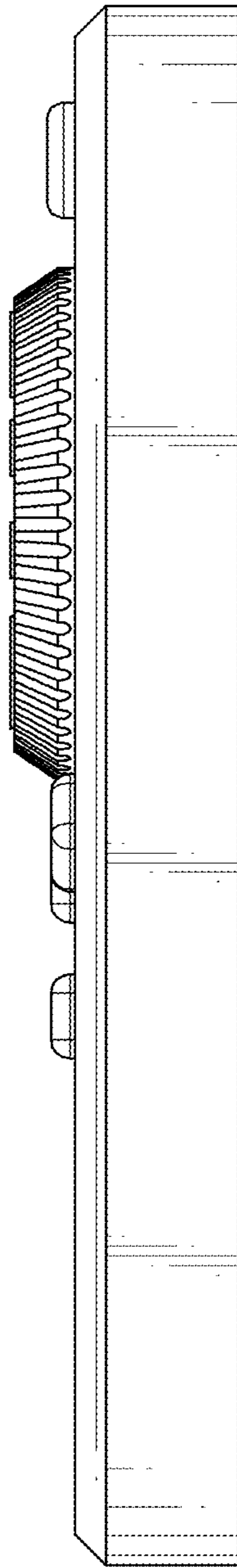


FIG.5

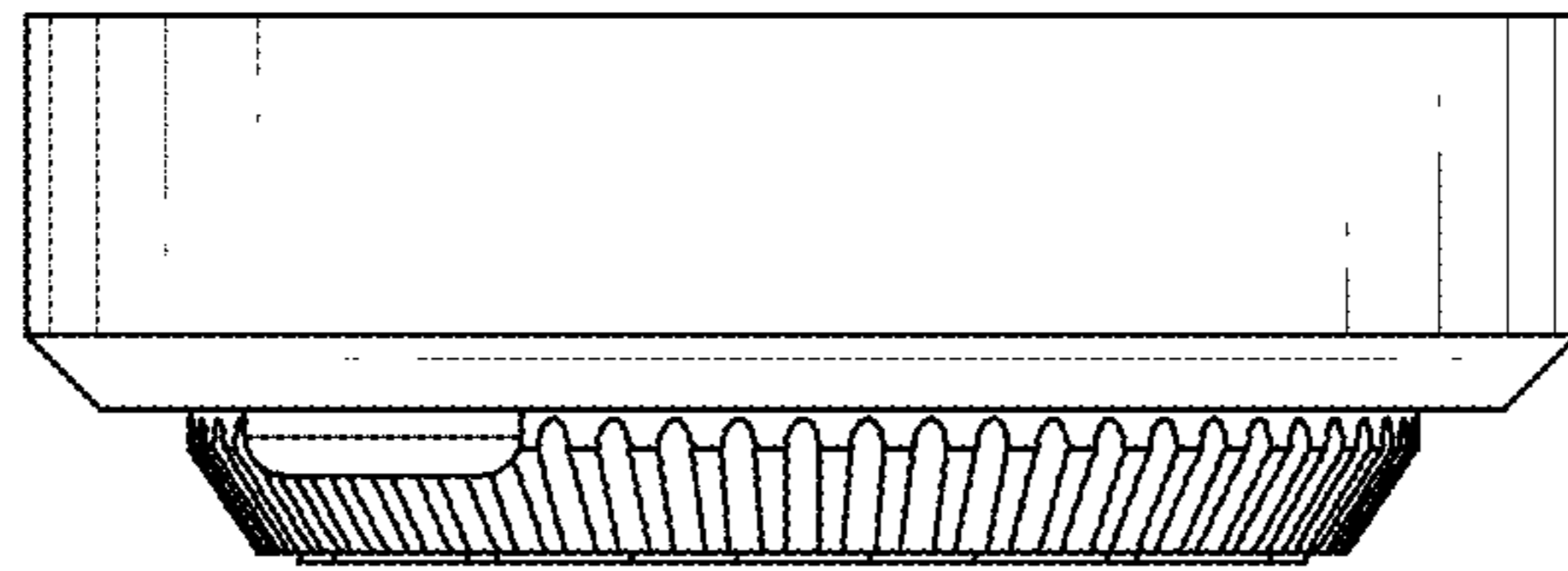


FIG.6

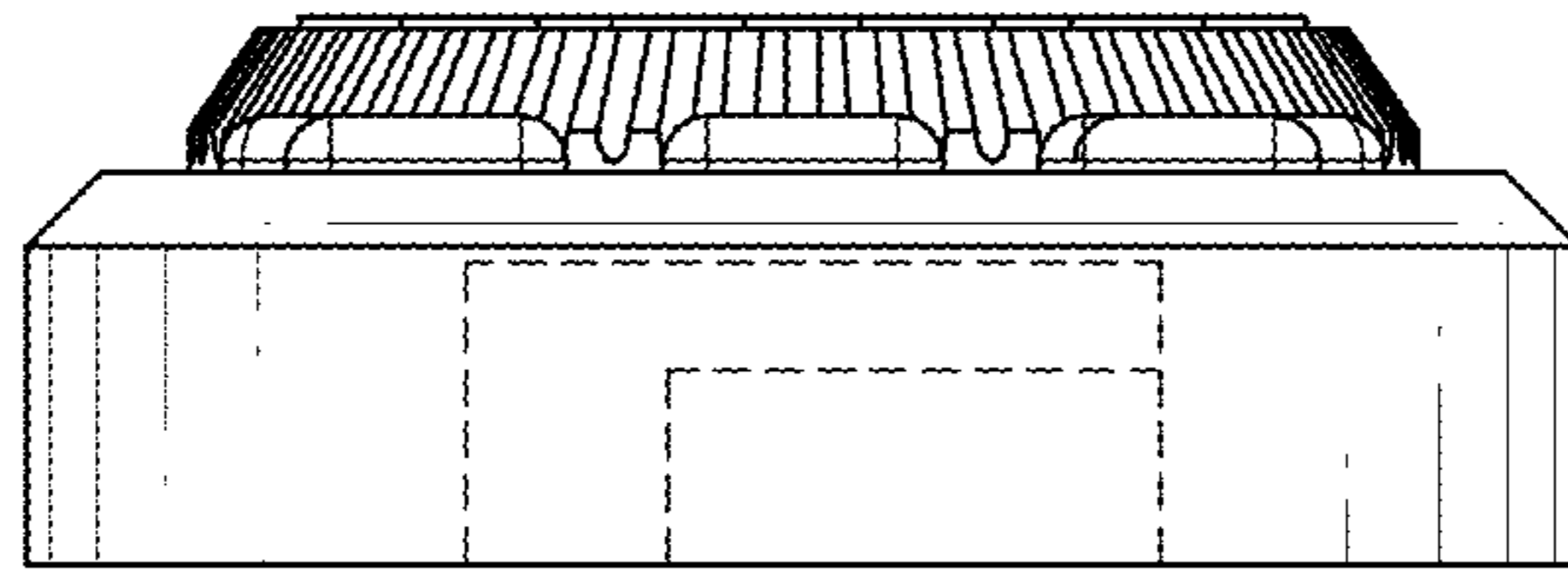


FIG.7