



US00D896785S

(12) **United States Design Patent** (10) **Patent No.:** **US D896,785 S**
Li (45) **Date of Patent:** **** Sep. 22, 2020**

(54) **AUDIO SPLITTER**
(71) Applicant: **Hongwei Li**, Shantou (CN)
(72) Inventor: **Hongwei Li**, Shantou (CN)
(**) Term: **15 Years**
(21) Appl. No.: **29/683,335**
(22) Filed: **Mar. 12, 2019**
(51) **LOC (12) Cl.** **14-99**
(52) **U.S. Cl.**
USPC **D14/217**
(58) **Field of Classification Search**
USPC D13/107, 108, 110, 118, 120, 123, 133,
D13/137.1-137.4, 139.1-139.8, 146, 147,
D13/153, 154, 184; D14/240, 242, 356,
D14/357, 358, 383, 384, 385, 386, 434,
D14/435, 480.1, 480.3, 480.4, 480.5,
D14/480.6, 480.7, 137, 205, 206, 217,
D14/218, 223, 225, 248, 256, 432, 433,
D14/435.1, 438, 439
CPC H01R 25/00; H01R 25/003; H01R 27/00;
H01R 27/02; H01R 31/005; H01R 24/28
See application file for complete search history.

D863,256 S * 10/2019 Lindof D14/217
D864,163 S * 10/2019 Lindof D14/217
D872,697 S * 1/2020 Yu D13/137.4

OTHER PUBLICATIONS

Belkin RockStar 5-Jack 3.5 mm Audio Headphone Splitter, online, no post date, URL: <https://www.belkin.com/us/p/F8Z274btBLK/>, retrieved May 15, 2020.*

* cited by examiner

Primary Examiner — Jeffrey D Asch
Assistant Examiner — Rebekah A Caruso
(74) *Attorney, Agent, or Firm* — Law Offices of Steven W. Weinrieb

(57) **CLAIM**

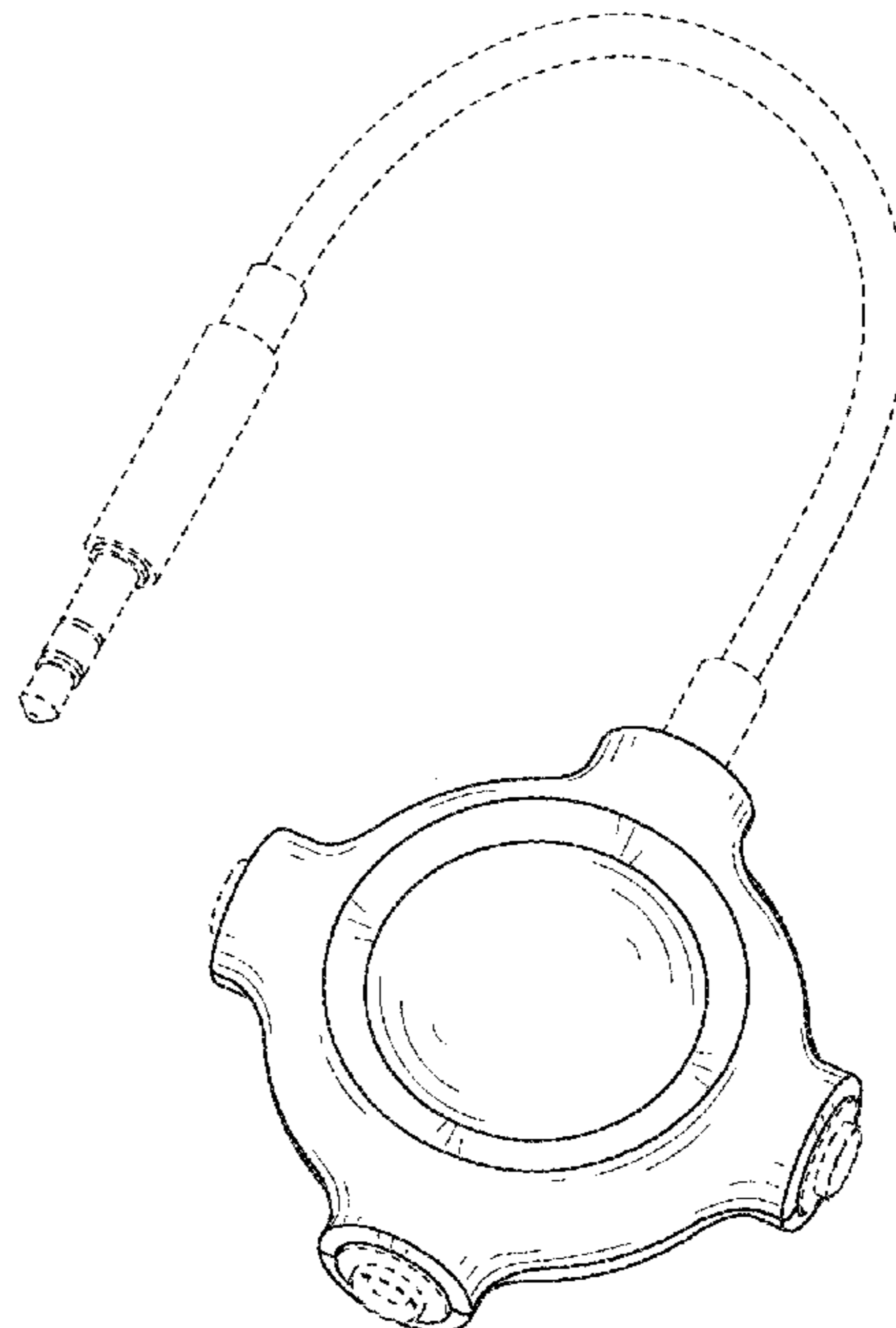
The ornamental design for an audio splitter, as shown and described.

DESCRIPTION

FIG. 1 is a front perspective view of an audio splitter showing my new design;
FIG. 2 is a rear perspective view thereof;
FIG. 3 is a front elevational view thereof;
FIG. 4 is a rear elevational view thereof;
FIG. 5 is a left side elevational view thereof;
FIG. 6 is a right side elevational view thereof;
FIG. 7 is a top plan view thereof; and,
FIG. 8 is a bottom plan view thereof.
The broken lines immediately adjacent to the portions included in the claim are boundaries, all other broken lines are environmental structures; all the broken lines form no part of the claimed design.

(56) **References Cited**
U.S. PATENT DOCUMENTS
D487,892 S * 3/2004 Ogura D14/356
D514,095 S * 1/2006 Wilson D14/223
D585,823 S * 2/2009 Guccione D13/108
D601,150 S * 9/2009 Romero D14/433
D607,819 S * 1/2010 Seil D13/133
D614,134 S * 4/2010 Chen D13/137.2
D782,485 S * 3/2017 Cai D14/433
D796,513 S * 9/2017 Feldstein D14/433
D798,807 S * 10/2017 Shi D13/108
D850,372 S * 6/2019 Kong D13/108

1 Claim, 8 Drawing Sheets



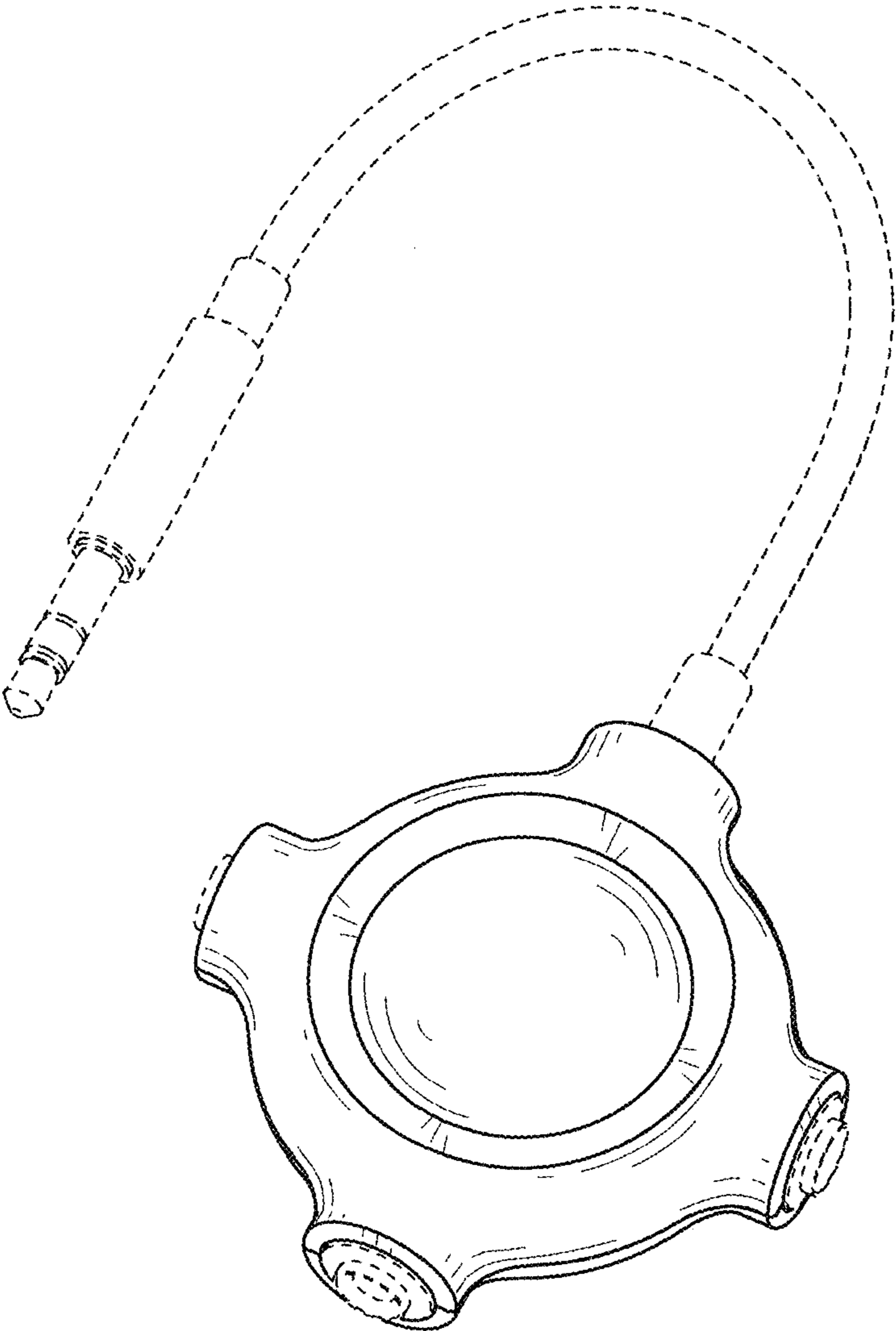


FIG. 1

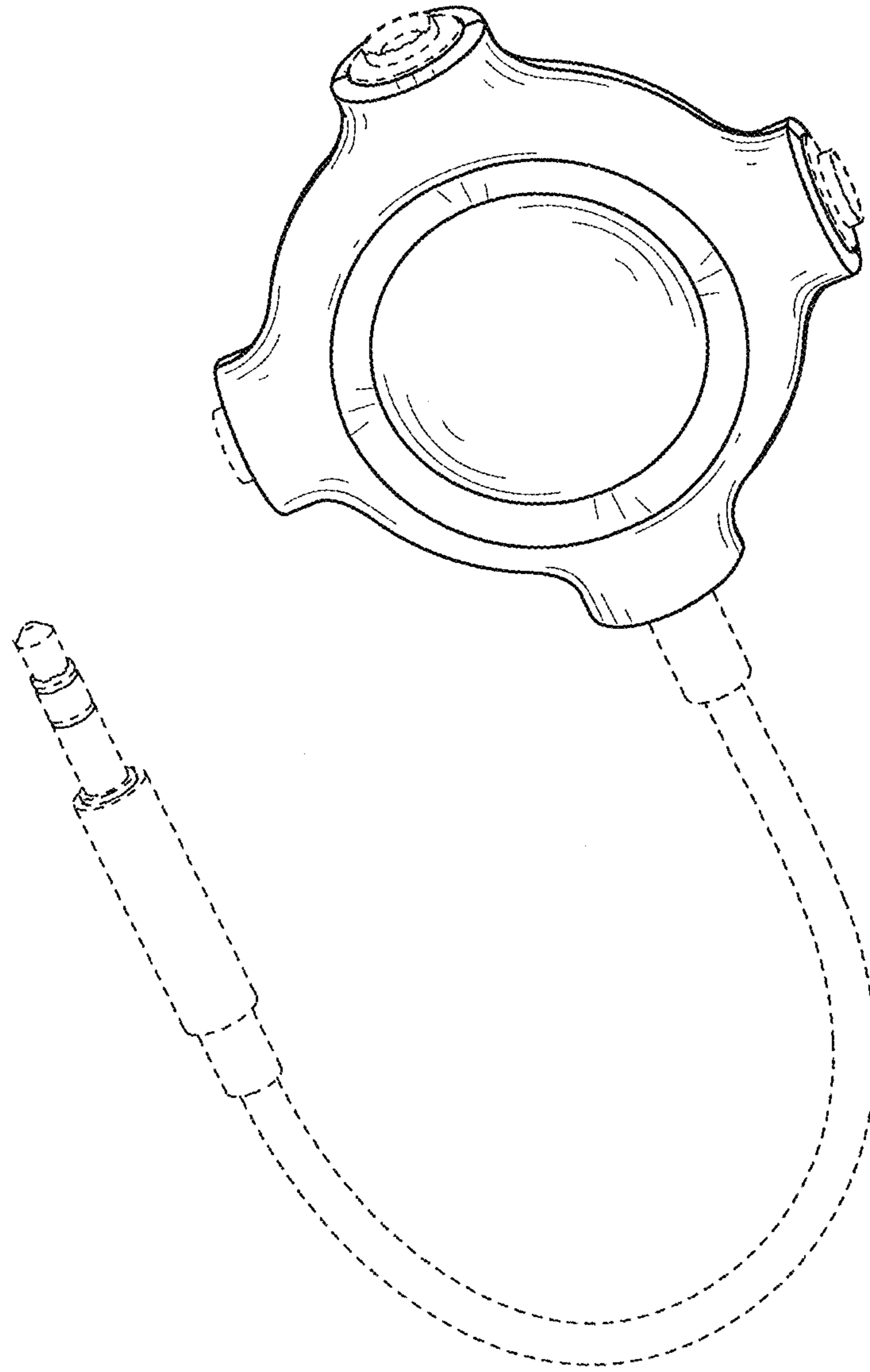


FIG. 2

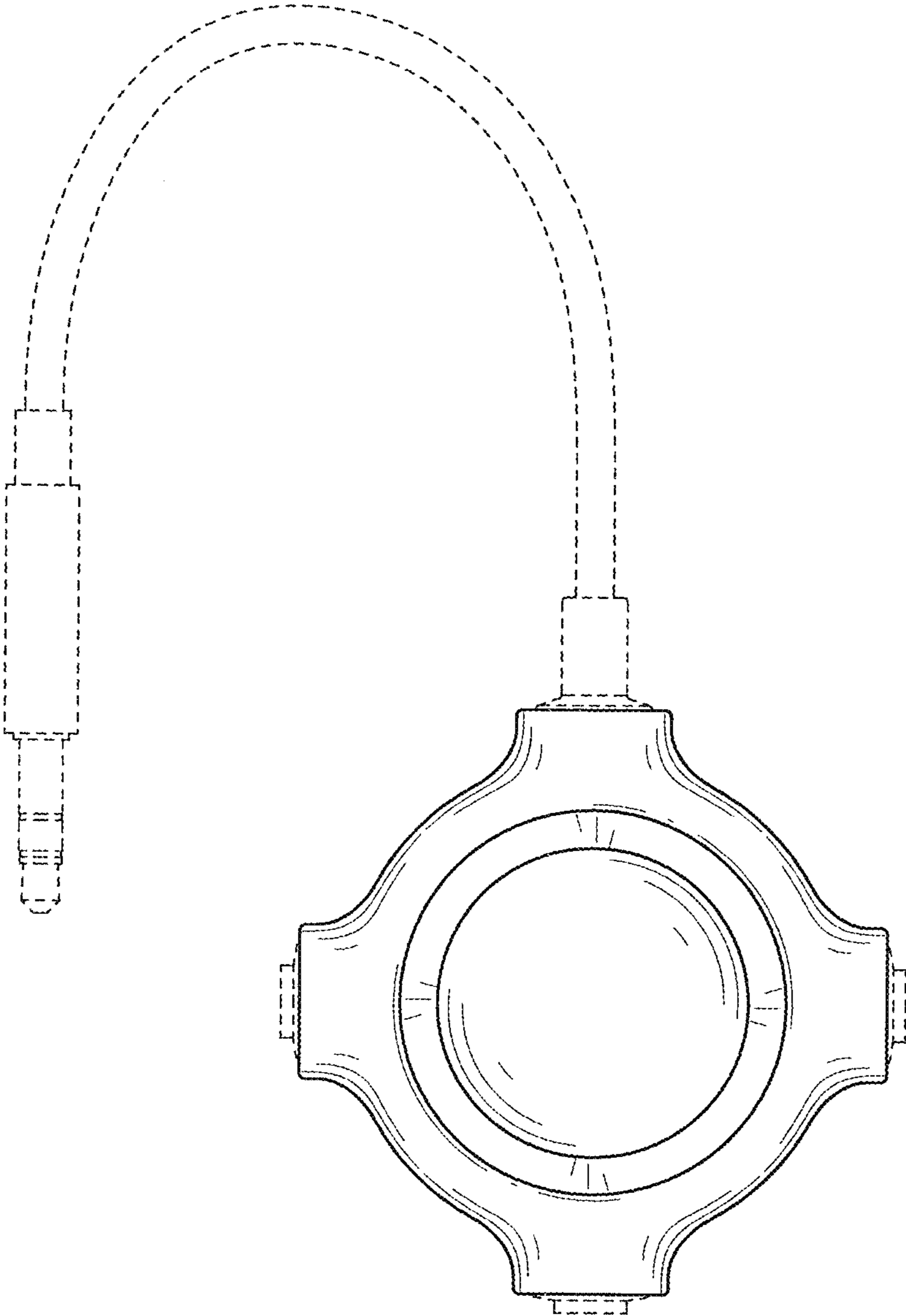


FIG. 3

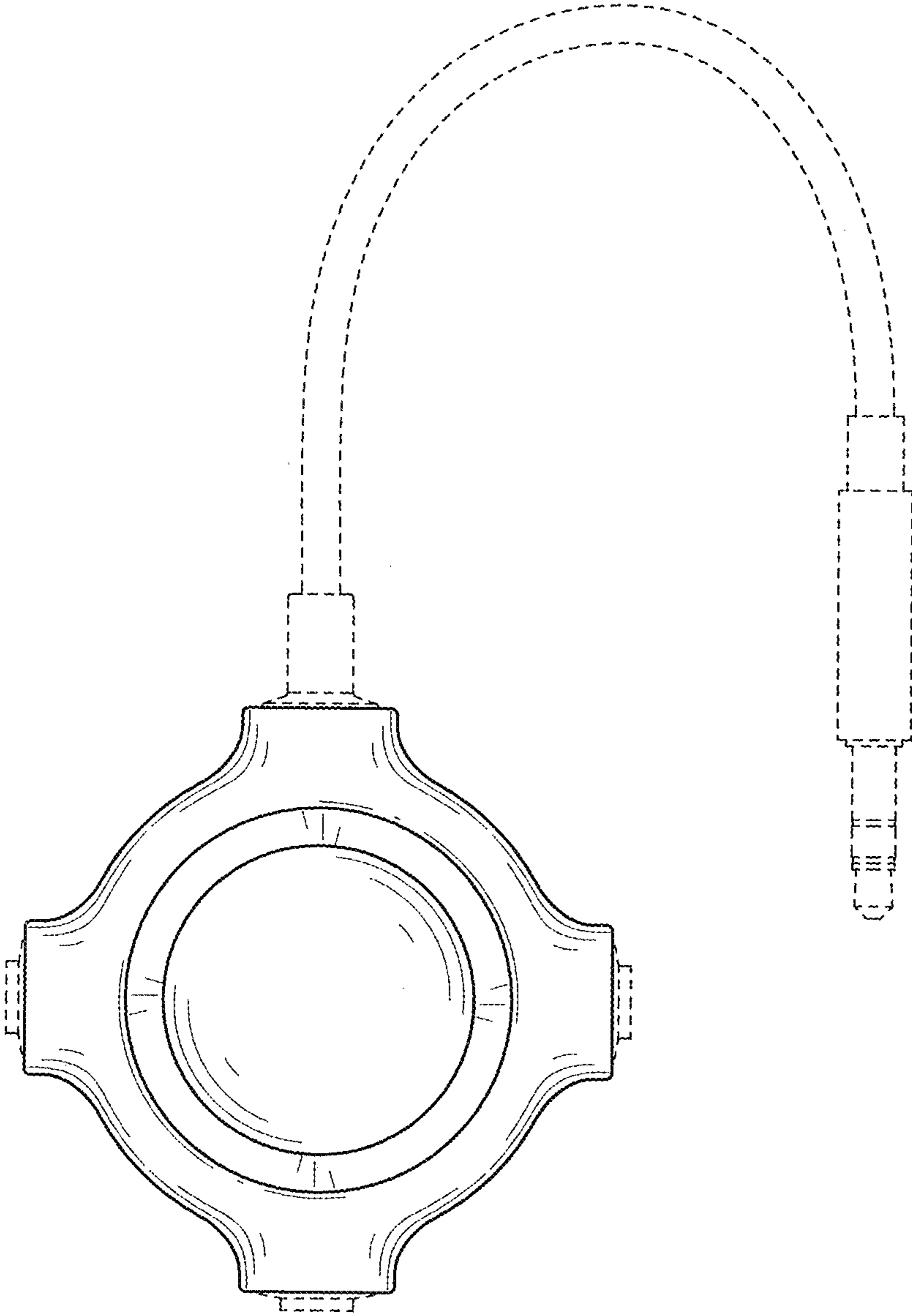


FIG. 4

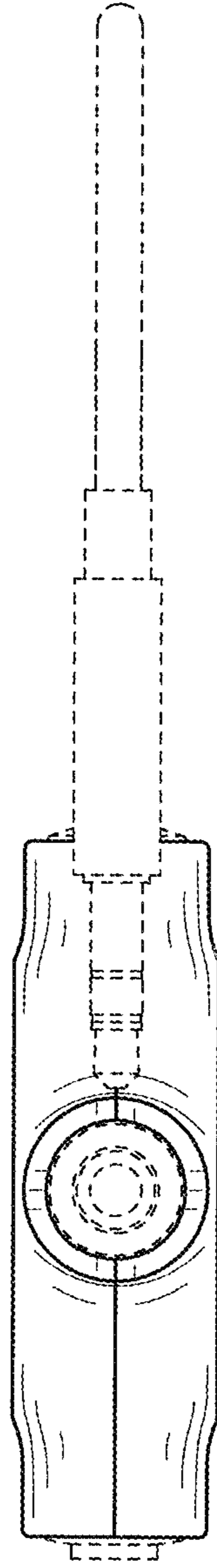


FIG. 5

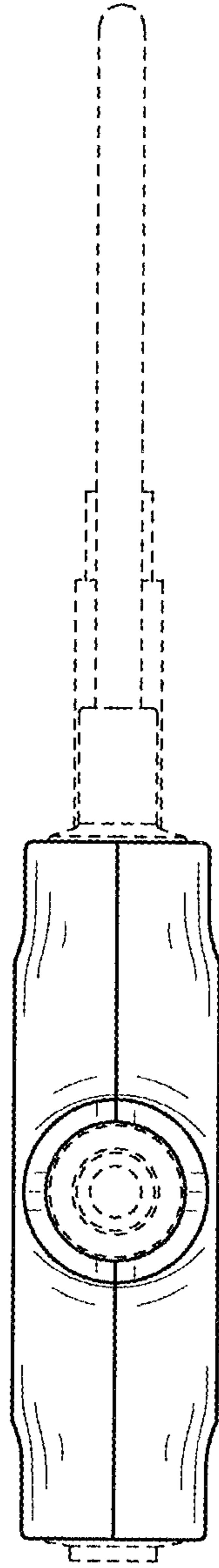


FIG. 6

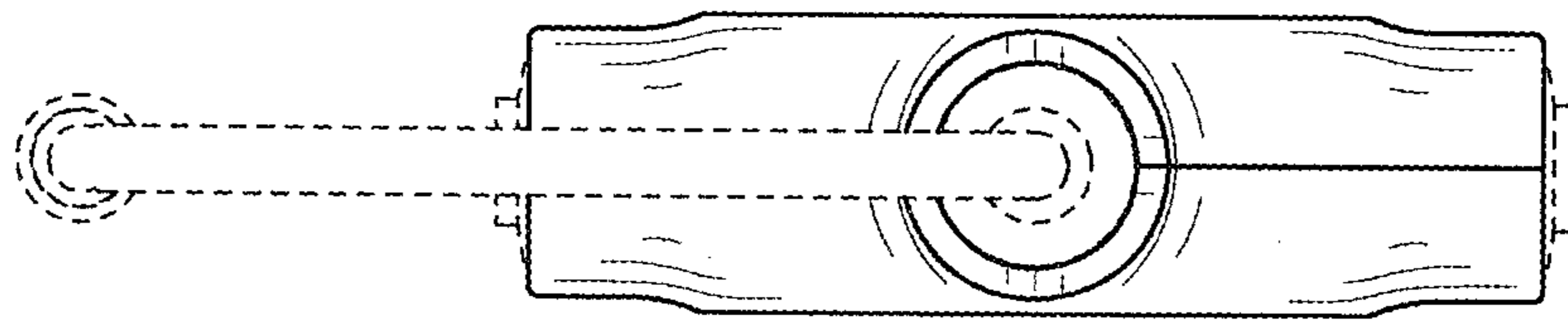


FIG. 7

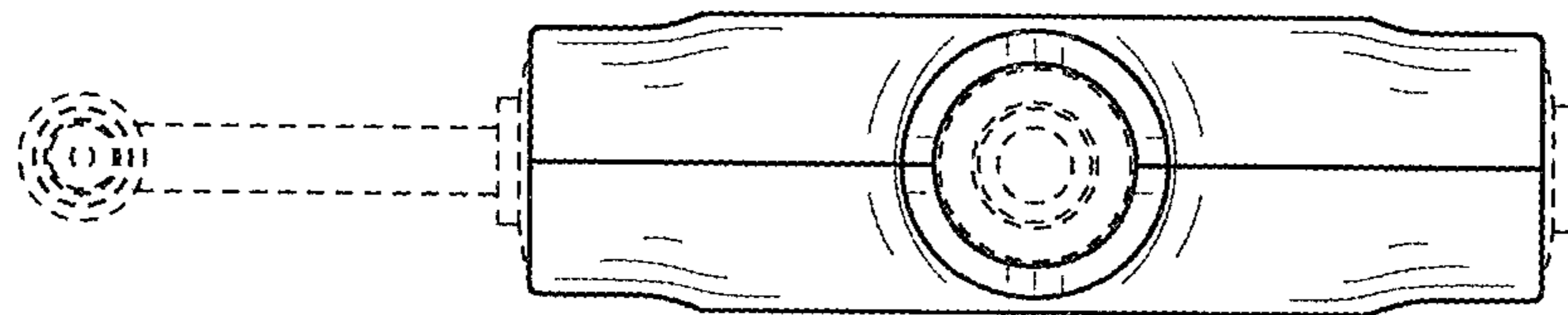


FIG. 8