



US00D896783S

(12) **United States Design Patent** (10) **Patent No.:** **US D896,783 S**  
**Seefeldt et al.** (45) **Date of Patent:** **\*\* Sep. 22, 2020**

(54) **SOUND REFLECTOR**  
(71) Applicant: **Dolby Laboratories Licensing Corporation**, San Francisco, CA (US)  
(72) Inventors: **Alan J. Seefeldt**, San Francisco, CA (US); **Lucas E. Saule**, San Francisco, CA (US); **Peter Michaelian**, San Francisco, CA (US); **Vincent Voron**, Saratoga, CA (US)  
(73) Assignee: **DOLBY LABORATORIES LICENSING CORPORATION**, San Francisco, CA (US)

D351,516 S \* 10/1994 Yeh ..... D6/672  
D357,143 S \* 4/1995 Woolard ..... D6/672  
D393,160 S \* 4/1998 Canton Gongora ..... D6/672  
D611,930 S \* 3/2010 Cho ..... D14/209.1  
D639,774 S \* 6/2011 Rader ..... D14/204  
D679,521 S \* 4/2013 Hamm ..... D6/672  
D754,991 S \* 5/2016 Gosling ..... E04B 2/7407  
D6/664  
D761,242 S 7/2016 Voron et al.  
D761,243 S 7/2016 Seefeldt et al.  
D790,507 S \* 6/2017 Einaudi ..... D14/211  
D797,705 S \* 9/2017 Zheng ..... D14/217  
D866,227 S \* 11/2019 Burton ..... D6/672  
10,524,043 B2 \* 12/2019 Kubo ..... H04R 9/063

\* cited by examiner

(\*\*) Term: **15 Years**

*Primary Examiner* — Mary Ann Calabrese  
*Assistant Examiner* — Catherine Ho

(21) Appl. No.: **29/645,487**

(74) *Attorney, Agent, or Firm* — McAndrews, Held & Malloy, Ltd.

(22) Filed: **Apr. 26, 2018**

(51) **LOC (12) Cl.** ..... **14-01**

(57) **CLAIM**

(52) **U.S. Cl.**  
USPC ..... **D14/210**

The ornamental design for a sound reflector, as shown and described.

(58) **Field of Classification Search**  
USPC ..... D6/657, 663, 664, 665, 668, 668.1, D6/668.2, 672, 698, 699, 699.1, 699.2, D6/699.3, 699.4, 699.5; D14/140, 140.2, D14/140.5, 142, 204, 209.1, 210, 217, D14/299  
CPC ... H04R 1/23; H04R 1/24; H04R 1/25; H04R 1/26; H04R 1/28; H04R 1/086; H04R 1/345  
See application file for complete search history.

**DESCRIPTION**

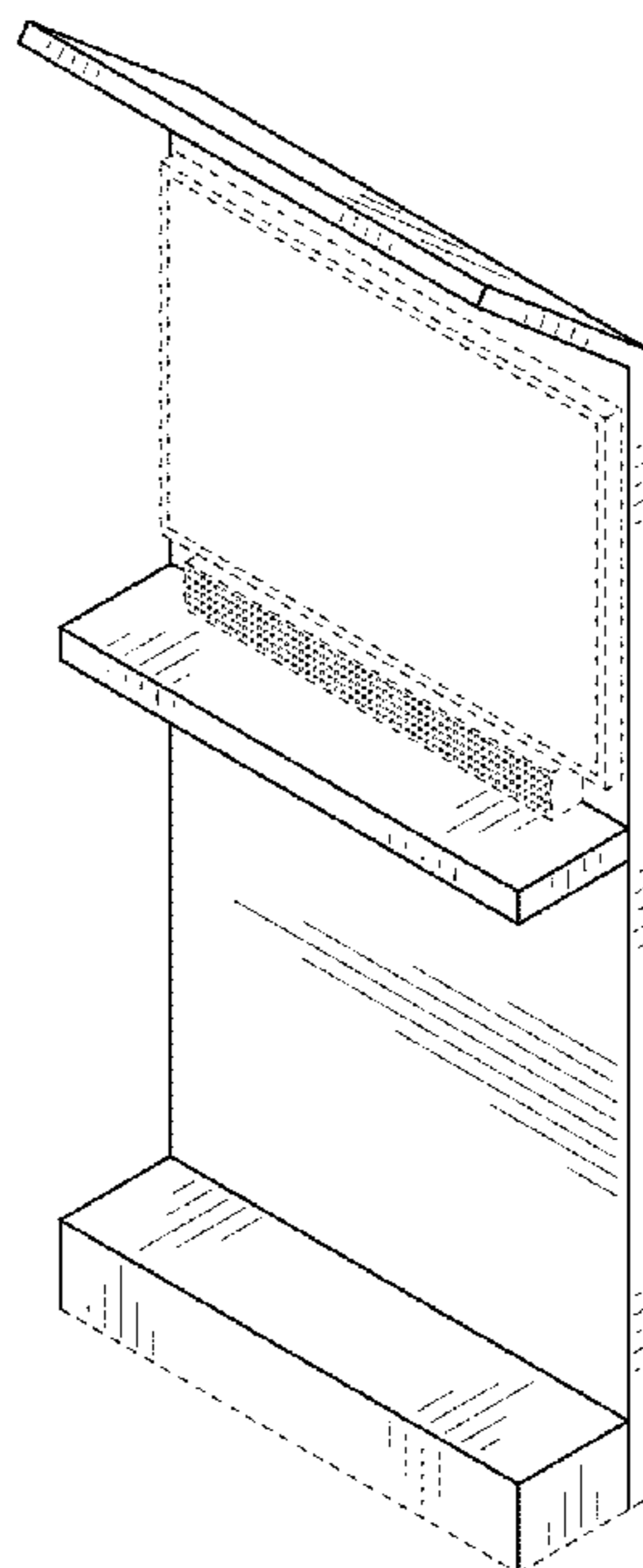
FIG. 1 is a front perspective view of a sound reflector showing our new design;  
FIG. 2 is a front elevation view thereof;  
FIG. 3 is a rear elevation view thereof;  
FIG. 4 is a right side elevation view thereof;  
FIG. 5 is a left side elevation view thereof;  
FIG. 6 is a top plan view thereof; and,  
FIG. 7 is a bottom plan view thereof.  
The dashed broken lines in the figures illustrate environment and portions of the sound reflector that form no part of the claimed design.

(56) **References Cited**

**U.S. PATENT DOCUMENTS**

D293,520 S \* 1/1988 Ovitz, III ..... D6/672  
D312,927 S \* 12/1990 Martin ..... D6/642

**1 Claim, 3 Drawing Sheets**



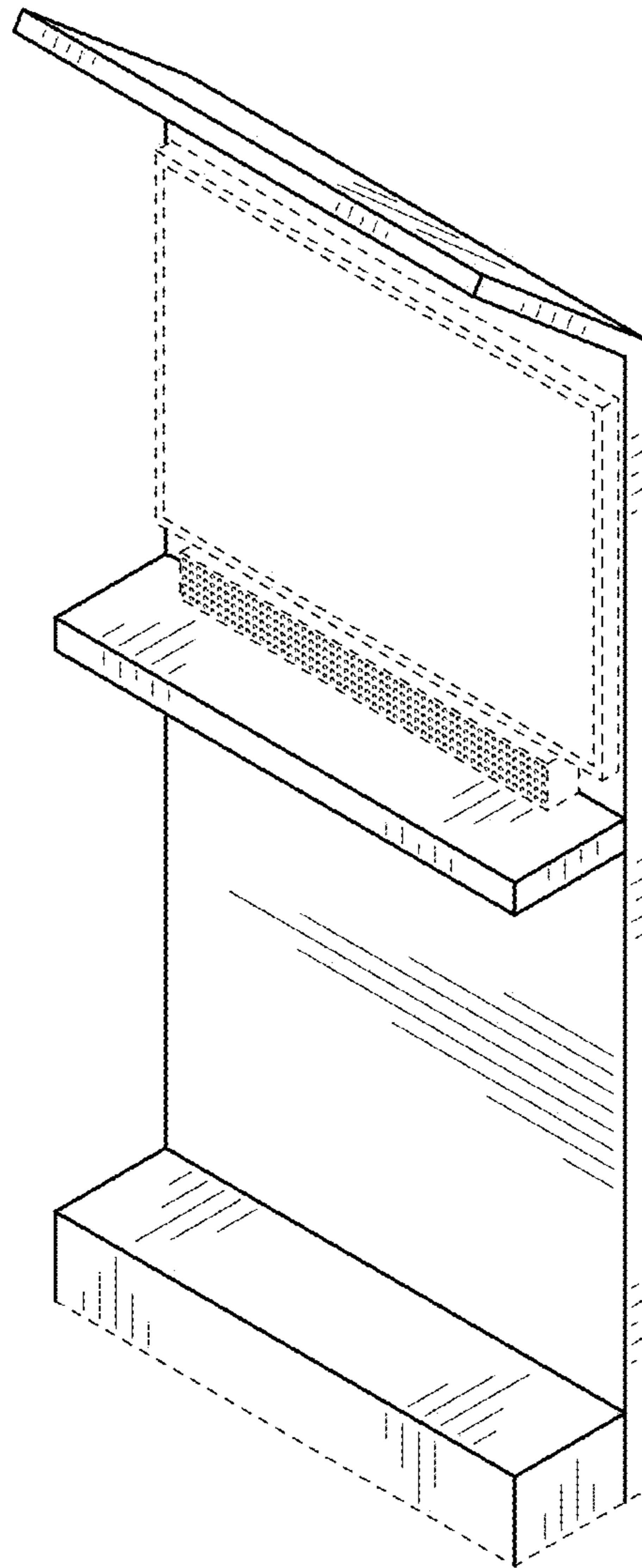


FIG. 1

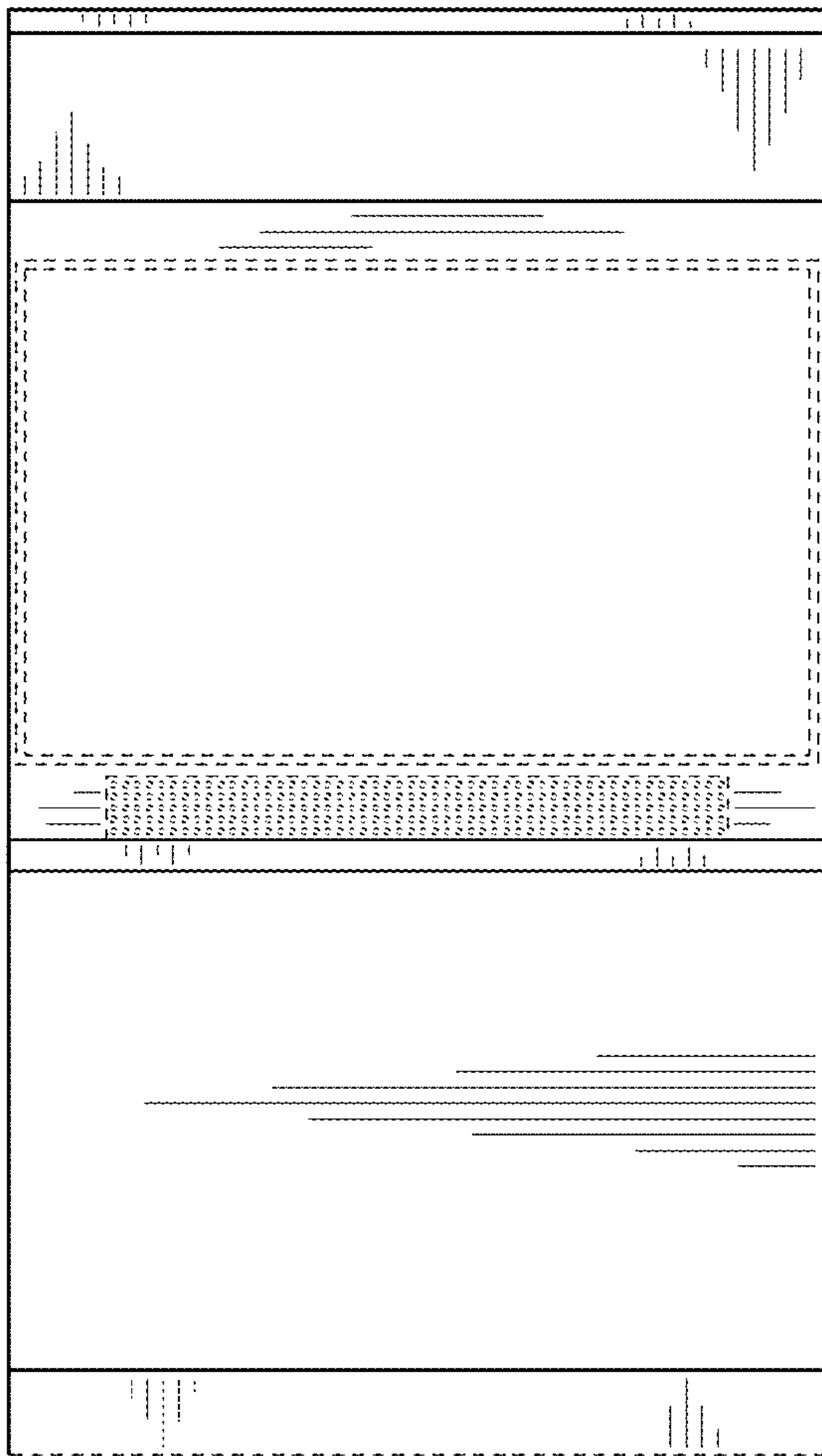


FIG. 2

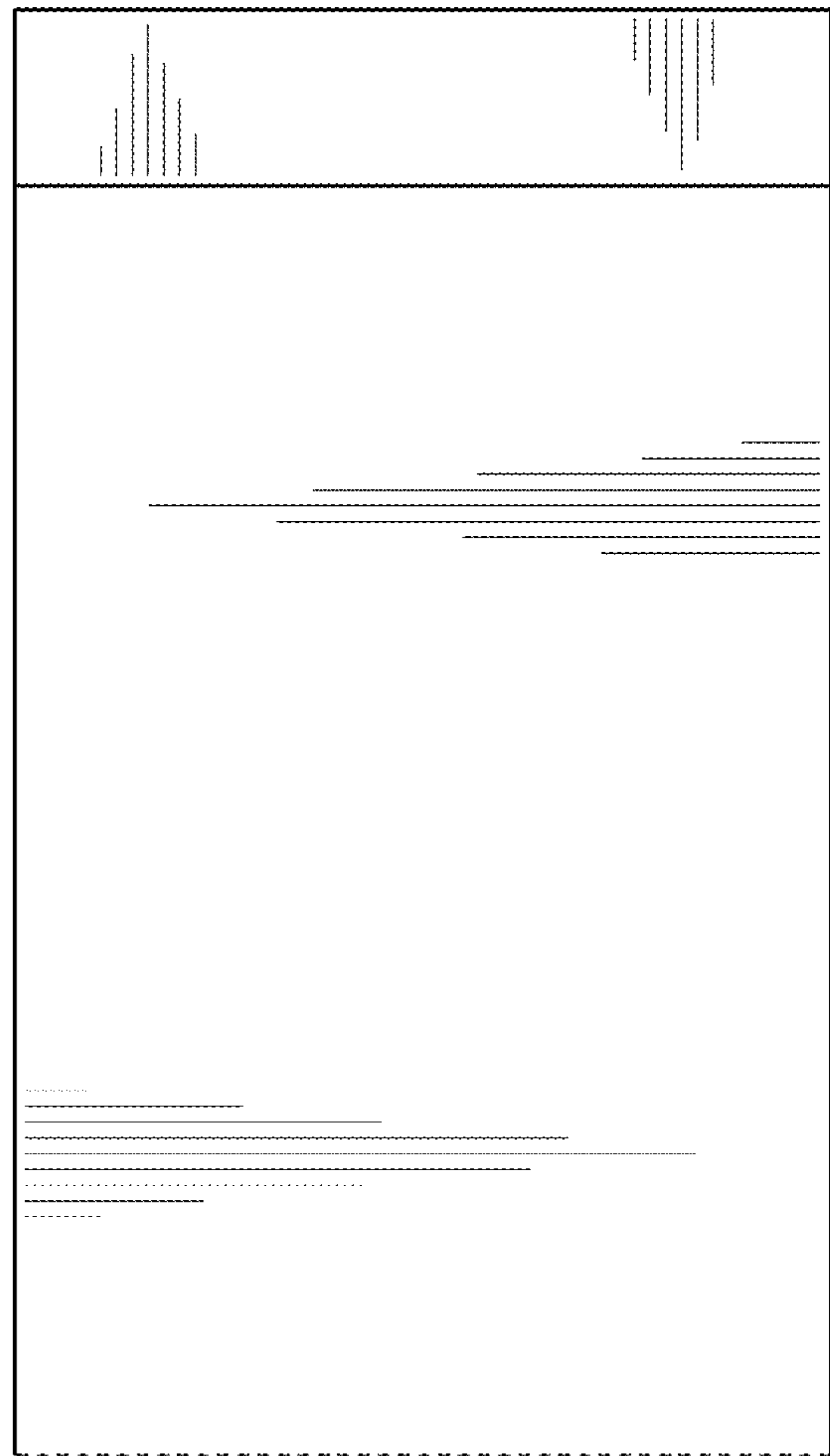


FIG. 3

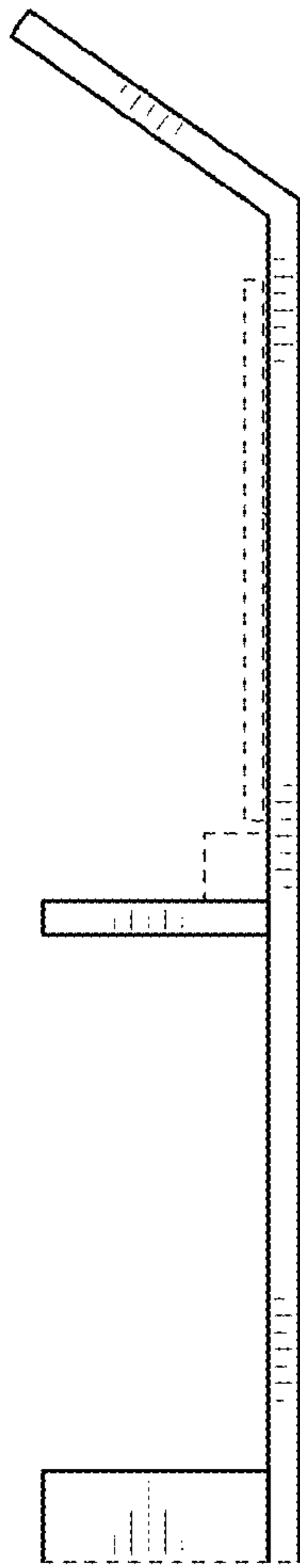


FIG. 4

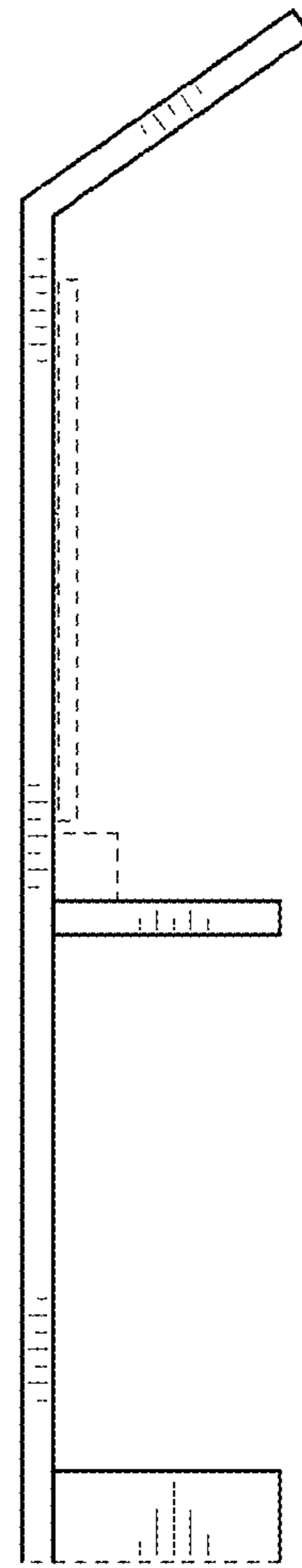


FIG. 5



FIG. 6

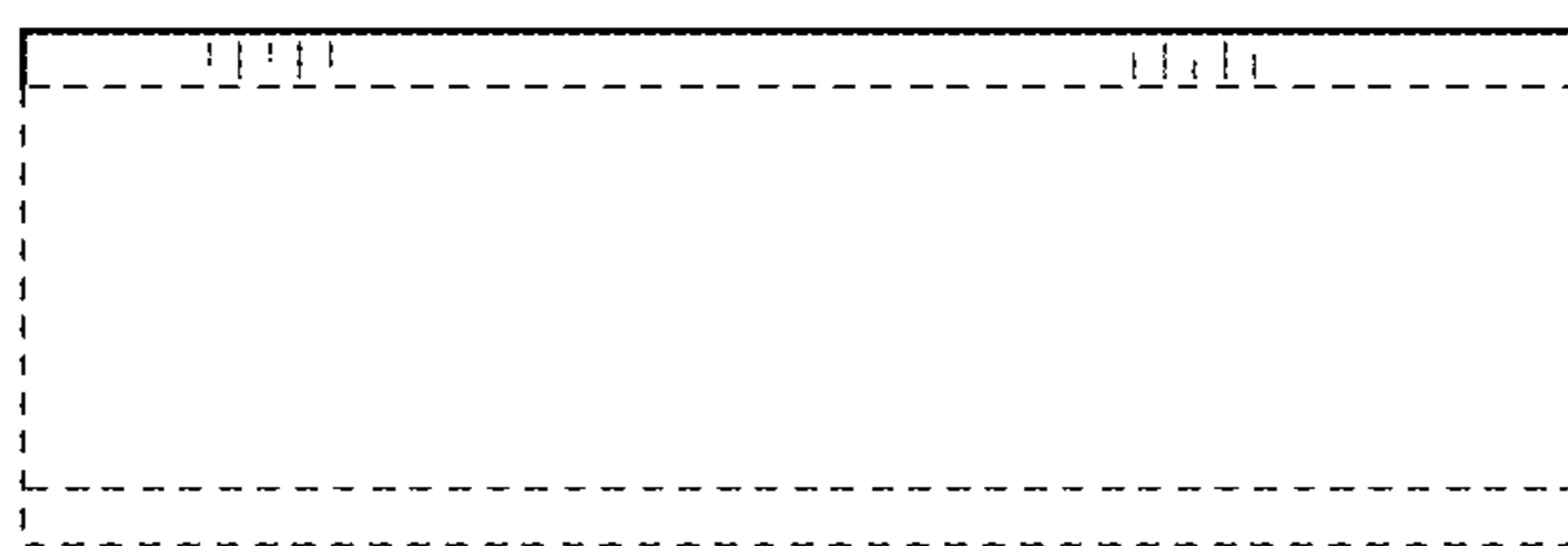


FIG. 7