

US00D896782S

(12) **United States Design Patent**  
**Li et al.**

(10) **Patent No.:** **US D896,782 S**  
(45) **Date of Patent:** **\*\* Sep. 22, 2020**

(54) **HEADPHONE**  
(71) Applicant: **SHENZHEN QIANHAI JUNLIAN NETWORK TECHNOLOGY CO., LTD.**, Shenzhen (CN)  
(72) Inventors: **Yan Li**, Shenzhen (CN); **Weijian Yuan**, Yichun (CN)  
(73) Assignee: **SHENZHEN QIANHAI JUNLIAN NETWORK TECHNOLOGY CO., LTD.**, Shenzhen (CN)

5,406,037 A \* 4/1995 Nageno ..... H04R 5/0335  
181/129  
D358,390 S \* 5/1995 Hayashi ..... D14/205  
D373,360 S \* 9/1996 Kanno ..... D14/205  
5,574,795 A \* 11/1996 Seki ..... H04R 5/0335  
381/370  
D391,573 S \* 3/1998 Nakamura ..... D14/205  
D409,197 S \* 5/1999 Nakamura ..... D14/205  
D410,466 S \* 6/1999 Mouri ..... D14/205  
D420,356 S \* 2/2000 Suzuki ..... D14/205  
D457,512 S \* 5/2002 Yoneda ..... D14/205  
D473,539 S \* 4/2003 O'Leary ..... D14/205  
6,611,963 B2 \* 9/2003 Woo ..... A61F 11/14  
2/209

(Continued)

(\*\*) Term: **15 Years**

(21) Appl. No.: **29/682,691**

(22) Filed: **Mar. 7, 2019**

(51) **LOC (12) Cl.** ..... **14-01**

(52) **U.S. Cl.**  
USPC ..... **D14/206; D14/226**

(58) **Field of Classification Search**  
USPC ..... D14/206, 205, 226, 188, 192; D29/112;  
2/209; 381/374, 370, 380, 381;  
455/90.3, 575.1, 569.1  
CPC ..... H04R 25/00; H04R 25/02; H04R 1/1066;  
H04R 1/1016; H04R 5/033; H04R  
5/00335; H04R 1/10; H04R 19/04; H04R  
9/04; H04R 9/08

See application file for complete search history.

(56) **References Cited**

**U.S. PATENT DOCUMENTS**

D203,677 S \* 2/1966 Spillman ..... D14/205  
3,505,684 A \* 4/1970 Hutchinson ..... A61F 11/14  
2/209  
D229,833 S \* 1/1974 Becker ..... D14/205  
4,209,264 A \* 6/1980 Hellberg ..... A42B 3/166  
403/80  
5,018,599 A \* 5/1991 Dohi ..... H04R 1/1008  
181/129

**FOREIGN PATENT DOCUMENTS**

CN 305275015 \* 7/2019  
GB 6052080 \* 1/2019

*Primary Examiner* — Paula Allen Greene

(74) *Attorney, Agent, or Firm* — Law Offices of Steven W. Weinrieb

(57) **CLAIM**

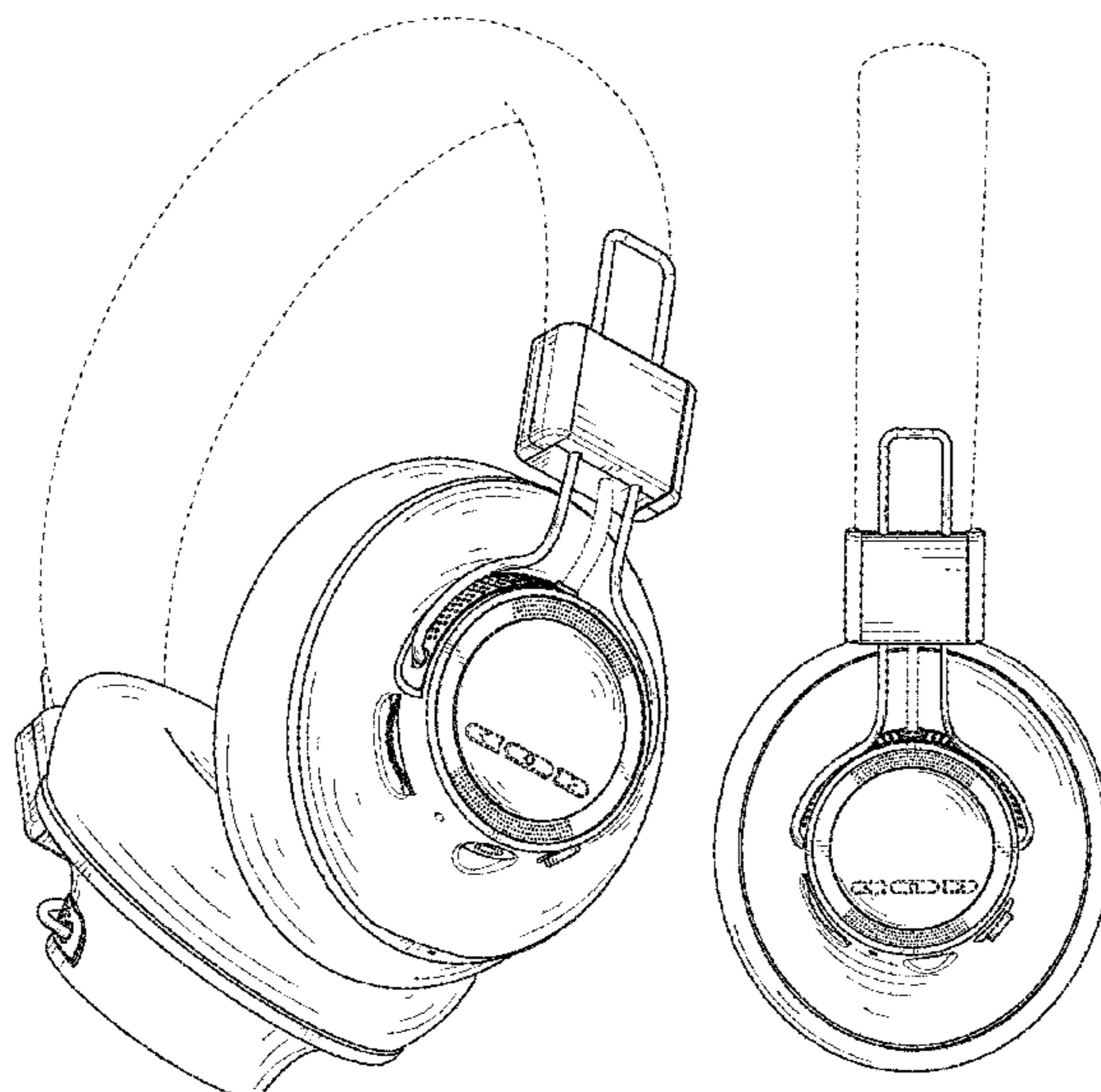
The ornamental design for a headphone, as shown and described.

**DESCRIPTION**

FIG. 1 is a front, right side, bottom perspective view of a headphone showing my new design; FIG. 2 is a front elevational view thereof; FIG. 3 is a rear elevational view thereof; FIG. 4 is a left side elevational view thereof; FIG. 5 is a right side elevational view thereof; FIG. 6 is a top plan view thereof; and, FIG. 7 is a bottom plan view thereof.

The broken lines immediately adjacent to the claimed portions are boundaries, all other broken lines are environmental structures; all the broken lines form no part of the claimed design.

**1 Claim, 7 Drawing Sheets**



(56)

References Cited

U.S. PATENT DOCUMENTS

D517,045 S \* 3/2006 Komiyama ..... D14/205  
 D525,237 S \* 7/2006 Viduya ..... D14/223  
 D556,187 S \* 11/2007 Feng ..... D14/205  
 D560,654 S \* 1/2008 Feng ..... D14/205  
 D567,215 S \* 4/2008 Lee ..... D14/205  
 D570,825 S \* 6/2008 Schultz ..... D14/205  
 D633,896 S \* 3/2011 Kondo ..... D14/205  
 D661,685 S \* 6/2012 Lee ..... D14/205  
 D668,633 S \* 10/2012 Enquist ..... D14/205  
 D695,263 S \* 12/2013 Mogili ..... D14/205  
 D700,590 S \* 3/2014 Heath ..... D14/205  
 D707,200 S \* 6/2014 Yang ..... H04R 1/1066  
 D722,590 S \* 2/2015 Lu ..... D14/205  
 D722,998 S \* 2/2015 Sancho ..... D14/205  
 D724,560 S \* 3/2015 Galler ..... D14/205  
 D729,196 S \* 5/2015 Liu ..... D14/205  
 D733,090 S \* 6/2015 Petersen ..... D14/205

D758,991 S \* 6/2016 Petersen ..... D14/205  
 D765,055 S \* 8/2016 Hsieh ..... D14/205  
 D780,156 S \* 2/2017 Petersen ..... D14/205  
 D807,323 S \* 1/2018 Wang ..... D14/205  
 D810,718 S \* 2/2018 Galler ..... D14/205  
 D814,439 S \* 4/2018 Birath ..... D14/205  
 D826,897 S \* 8/2018 Wang ..... D14/205  
 D826,898 S \* 8/2018 Kim ..... D14/205  
 D830,330 S \* 10/2018 Petersen ..... D14/205  
 D834,260 S \* 11/2018 Garcia Mansilla ..... D29/112  
 D849,712 S \* 5/2019 Billaudet ..... D14/205  
 D852,162 S \* 6/2019 Pineau ..... D14/204  
 D852,775 S \* 7/2019 Ando ..... D14/205  
 D852,776 S \* 7/2019 Zhu ..... D14/205  
 D852,777 S \* 7/2019 Park ..... D14/206  
 D864,899 S \* 10/2019 He ..... D14/205  
 D881,840 S \* 4/2020 Chen ..... D14/205  
 2006/0104471 A1 \* 5/2006 Tsunoda ..... H04R 1/2803  
 381/374  
 2008/0069391 A1 \* 3/2008 Steyn ..... H04R 1/1083  
 381/371

\* cited by examiner

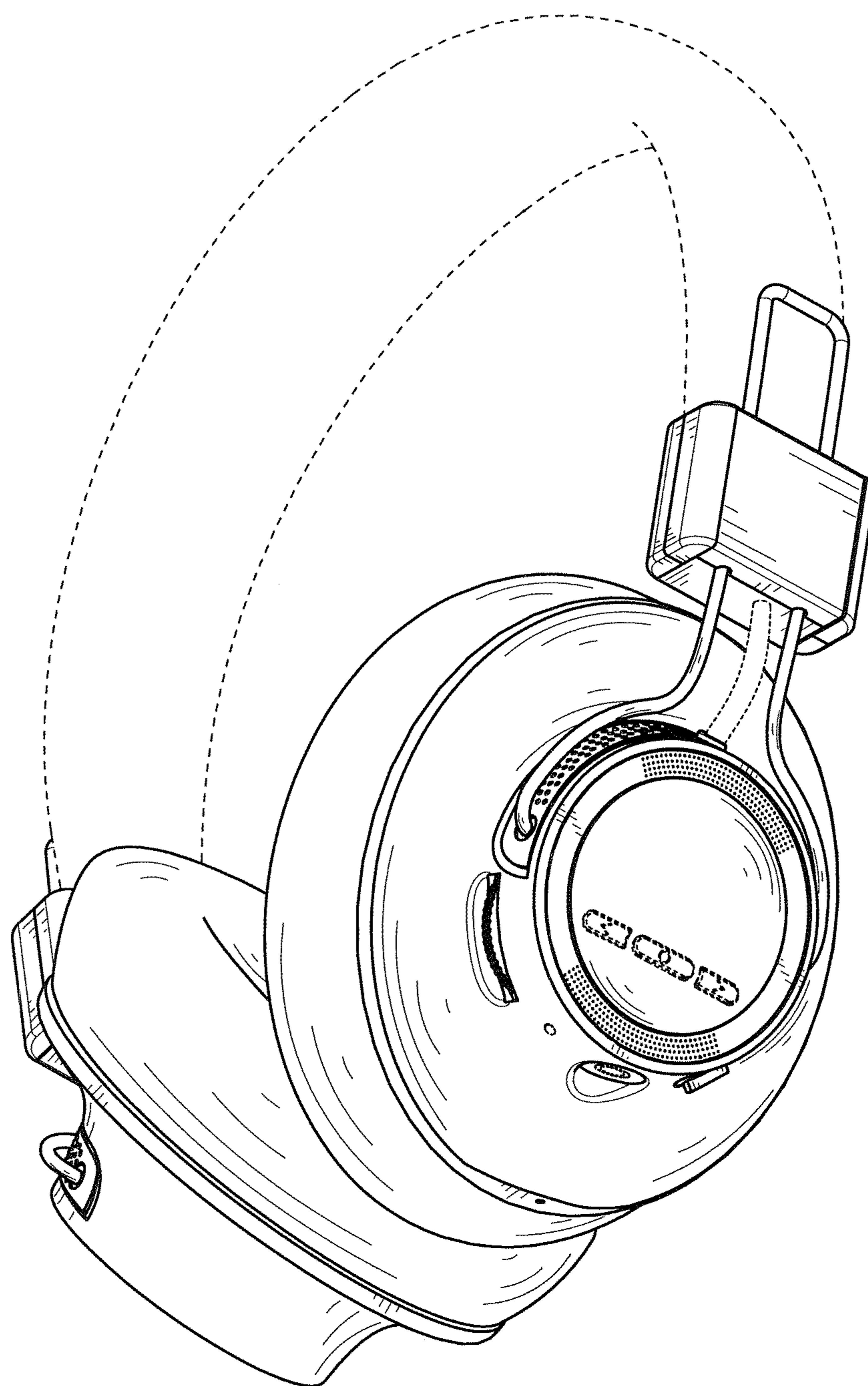


FIG. 1

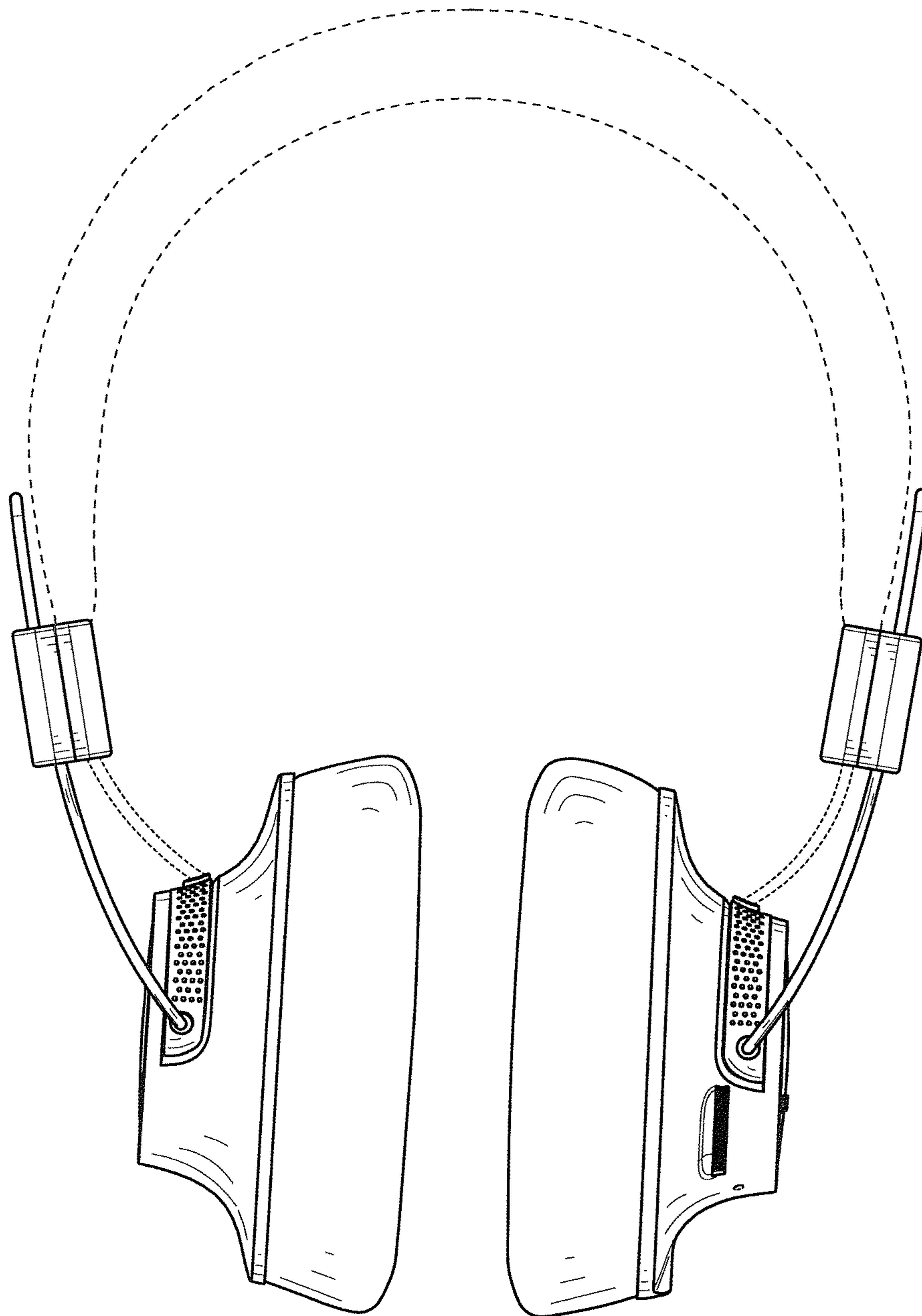


FIG. 2

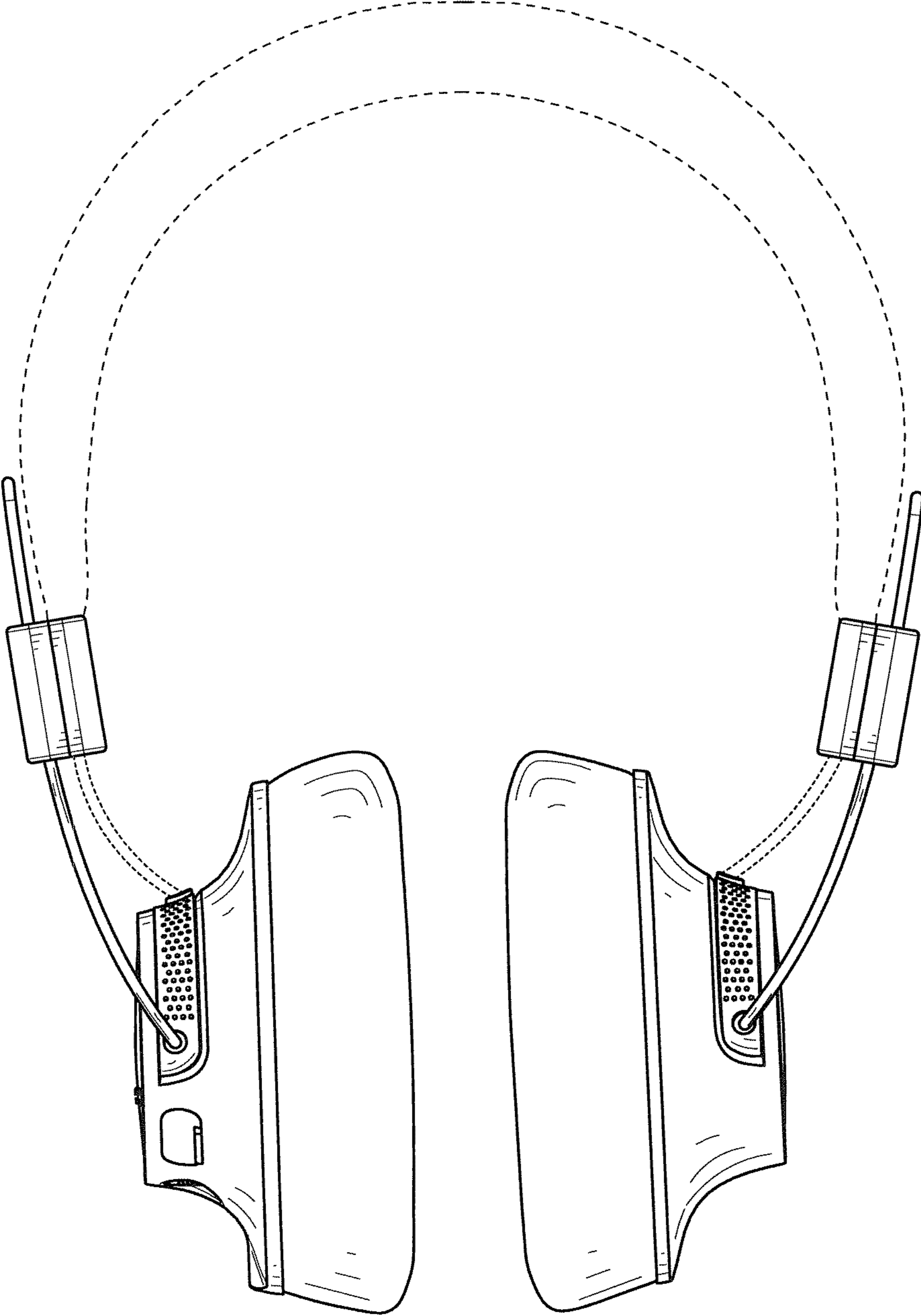


FIG. 3

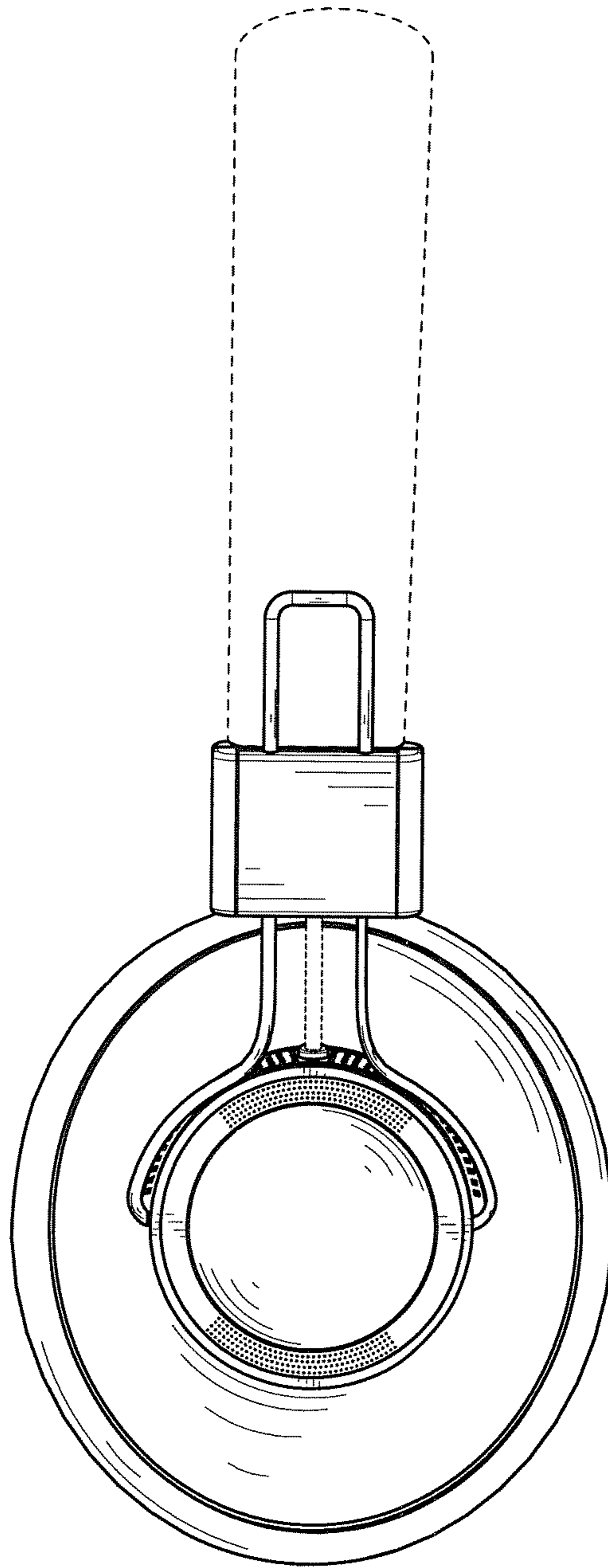


FIG. 4

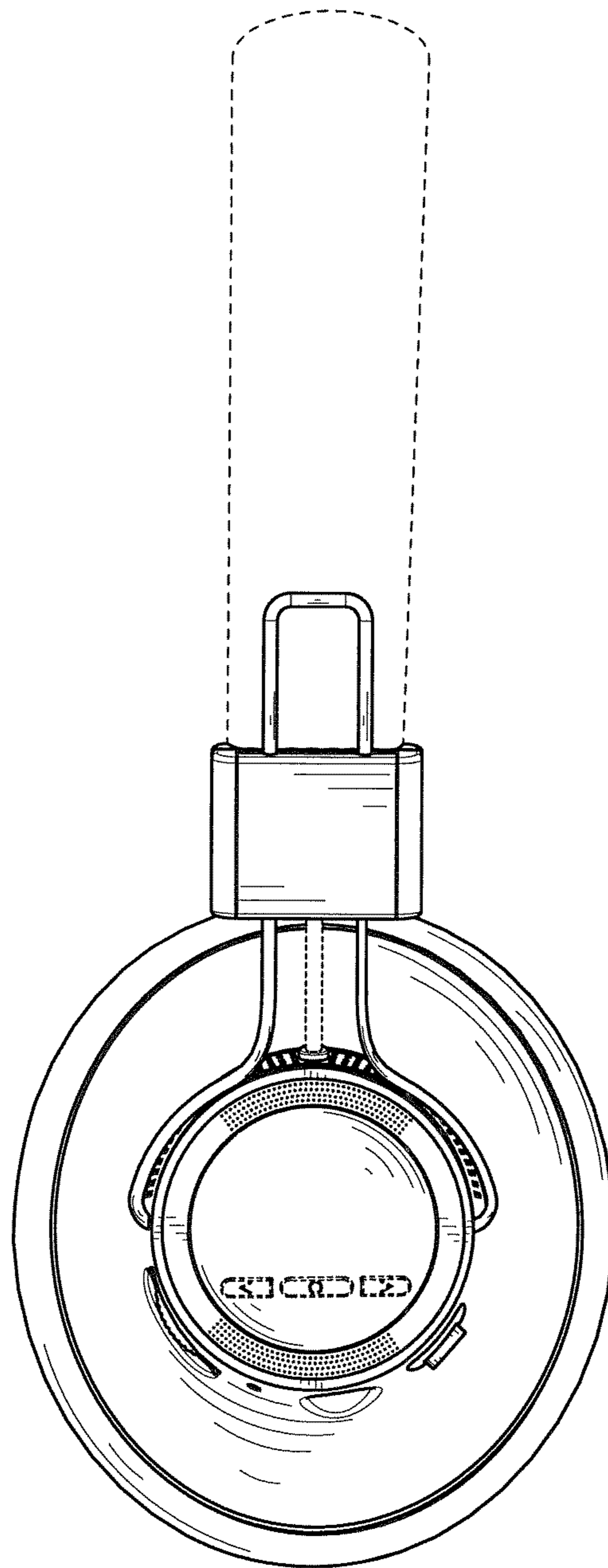


FIG. 5

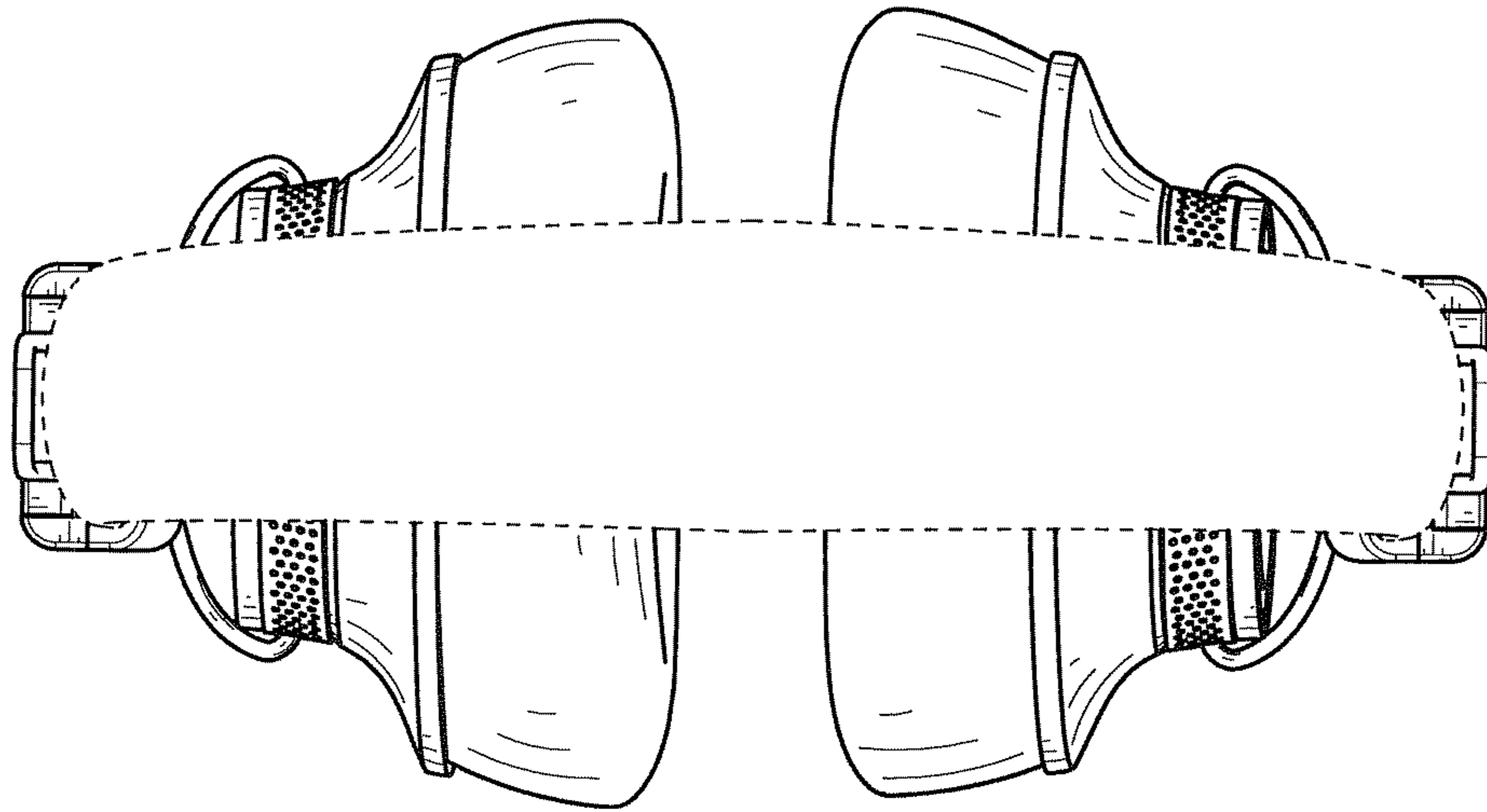


FIG. 6



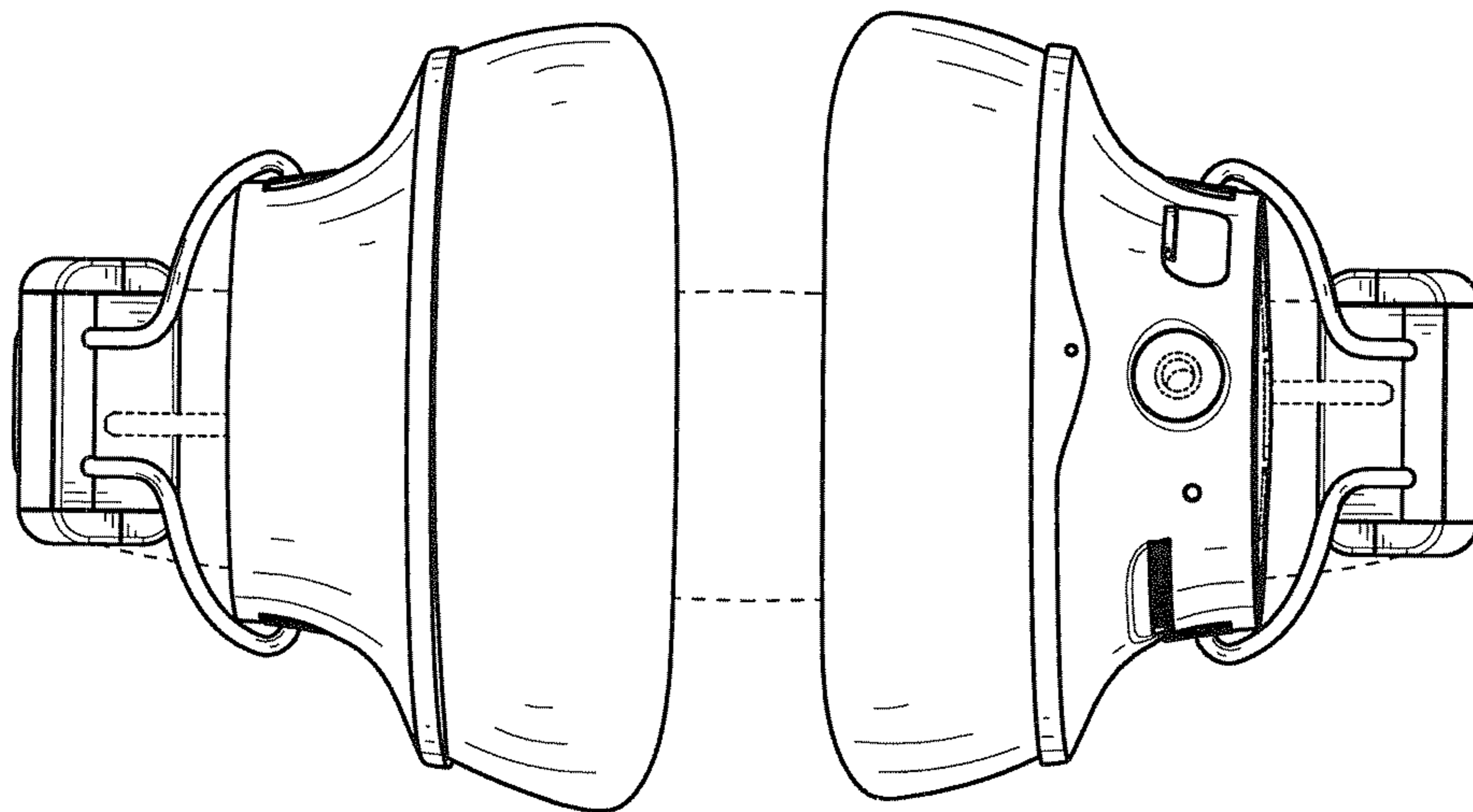


FIG. 7