

US00D896780S

(12) **United States Design Patent** (10) **Patent No.:** **US D896,780 S**
Pupecki et al. (45) **Date of Patent:** **** Sep. 22, 2020**

(54) **LOUDSPEAKER**

(56) **References Cited**

(71) Applicant: **Bose Corporation**, Framingham, MA (US)
(72) Inventors: **Jay Pupecki**, Worcester, MA (US); **Mitchell Joseph Silva**, Groton, MA (US)
(73) Assignee: **Bose Corporation**, Framingham, MA (US)

U.S. PATENT DOCUMENTS

D405,086 S *	2/1999	Goto	D14/211
D542,271 S *	5/2007	Jenkins	D14/214
D546,816 S *	7/2007	Smith	D14/214
D705,192 S *	5/2014	Martin	H04R 1/288 D14/219
D768,598 S *	10/2016	Skelton	D14/203.1
D774,020 S *	12/2016	Hinokio	D14/216
D797,913 S *	9/2017	Asvaintra	D23/351

* cited by examiner

Primary Examiner — Janice Patyk

(**) Term: **15 Years**

(21) Appl. No.: **29/689,297**

(22) Filed: **Apr. 29, 2019**

Related U.S. Application Data

(63) Continuation of application No. 29/618,965, filed on Sep. 26, 2017, now Pat. No. Des. 851,058.

(51) **LOC (12) Cl.** **14-01**

(52) **U.S. Cl.**
USPC **D14/204**

(58) **Field of Classification Search**
USPC D14/167, 168, 170–172, 188, 204, 210, D14/214; 181/143, 144, 148, 153, 157, 181/198, 199; 369/6–12; 381/300–303, 381/361–364, 366, 386–388
CPC H04R 1/02; H04R 1/021; H04R 1/025; H04R 1/026; H04R 1/028; H04R 1/403; H04R 1/2803; H04R 1/2834; H04R 5/02; H04R 9/06; H04R 19/013; H04R 2400/00; G06F 1/1688

See application file for complete search history.

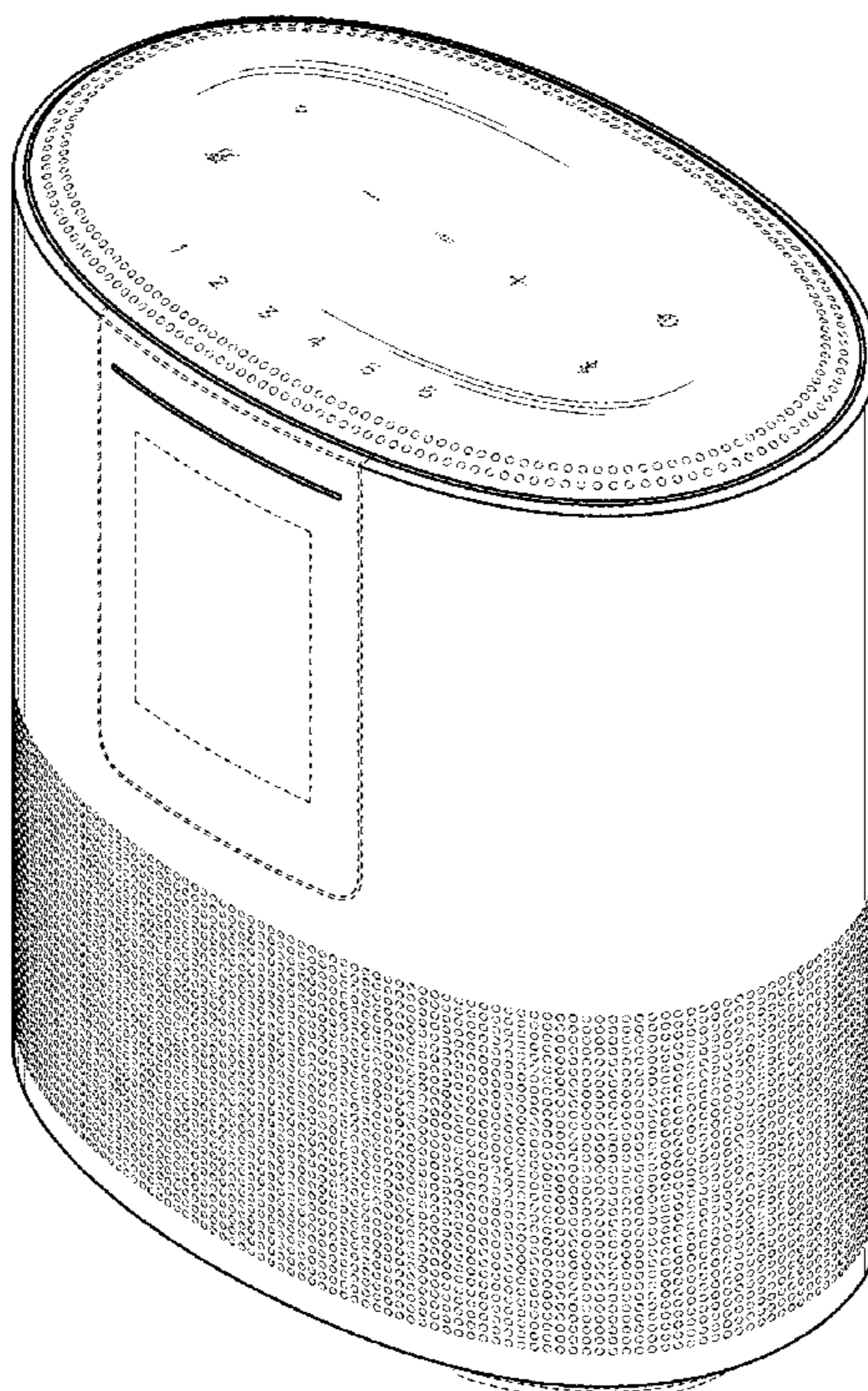
(57) **CLAIM**

The ornamental design for a loudspeaker, substantially as shown and described.

DESCRIPTION

FIG. 1 is a top, front, side perspective view of a loudspeaker showing the claimed design;
FIG. 2 is a front view thereof;
FIG. 3 is a back view thereof;
FIG. 4 is a top view thereof;
FIG. 5 is a bottom view thereof;
FIG. 6 is a side view thereof; and,
FIG. 7 is an opposite side view thereof.
The broken lines in the figures illustrate the portions of the design that form no part of the claimed design.

1 Claim, 7 Drawing Sheets



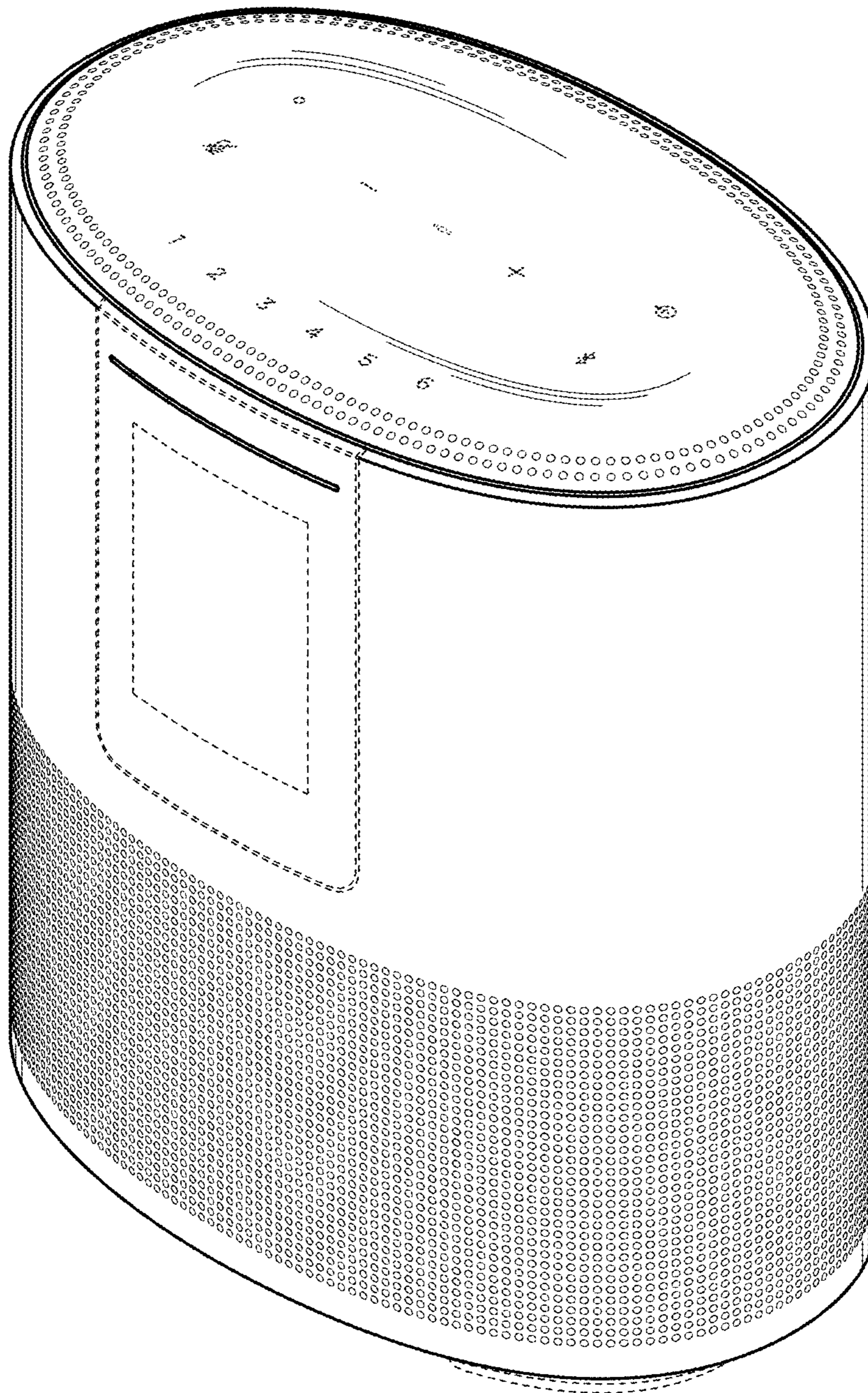


FIG. 1

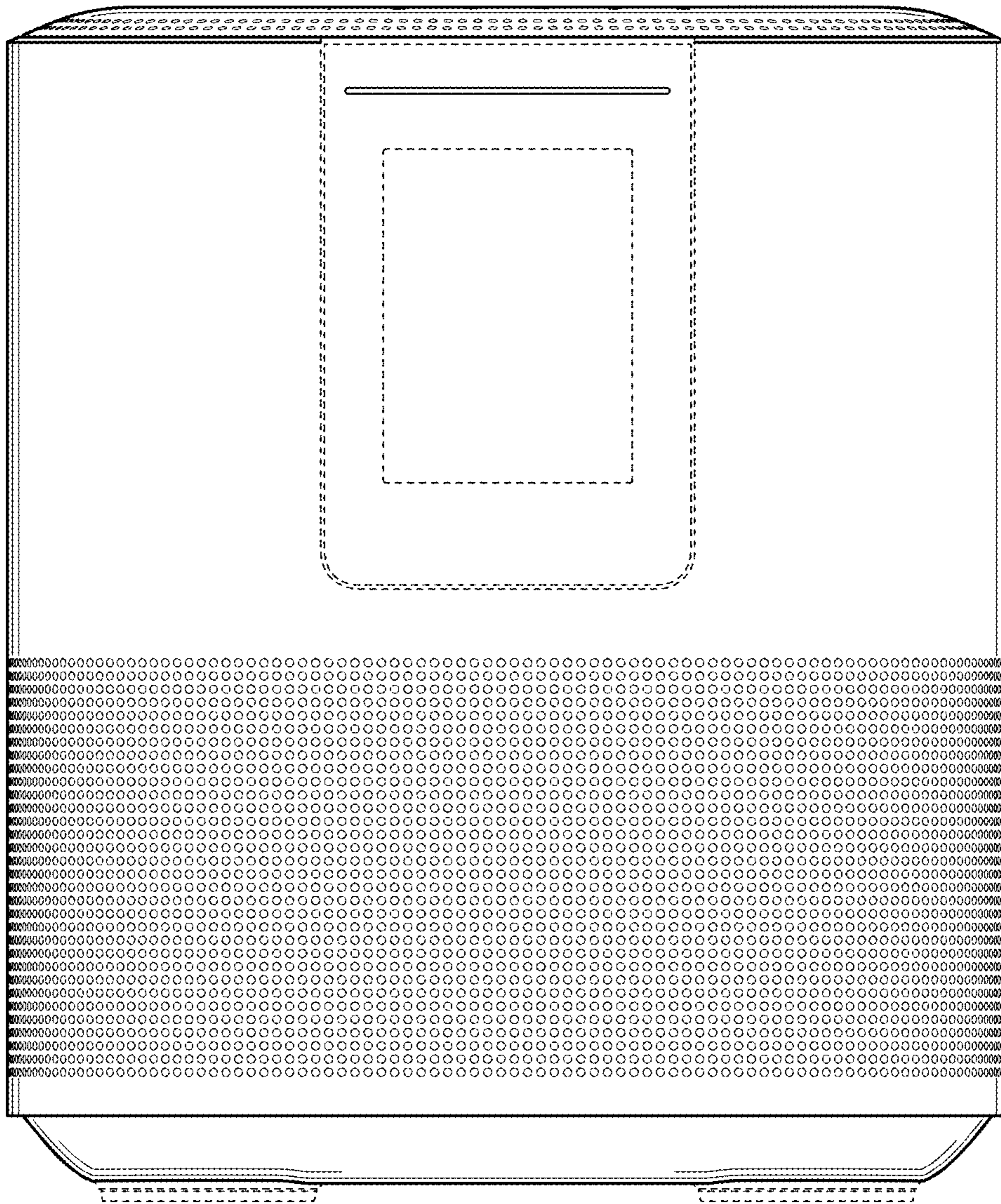


FIG. 2

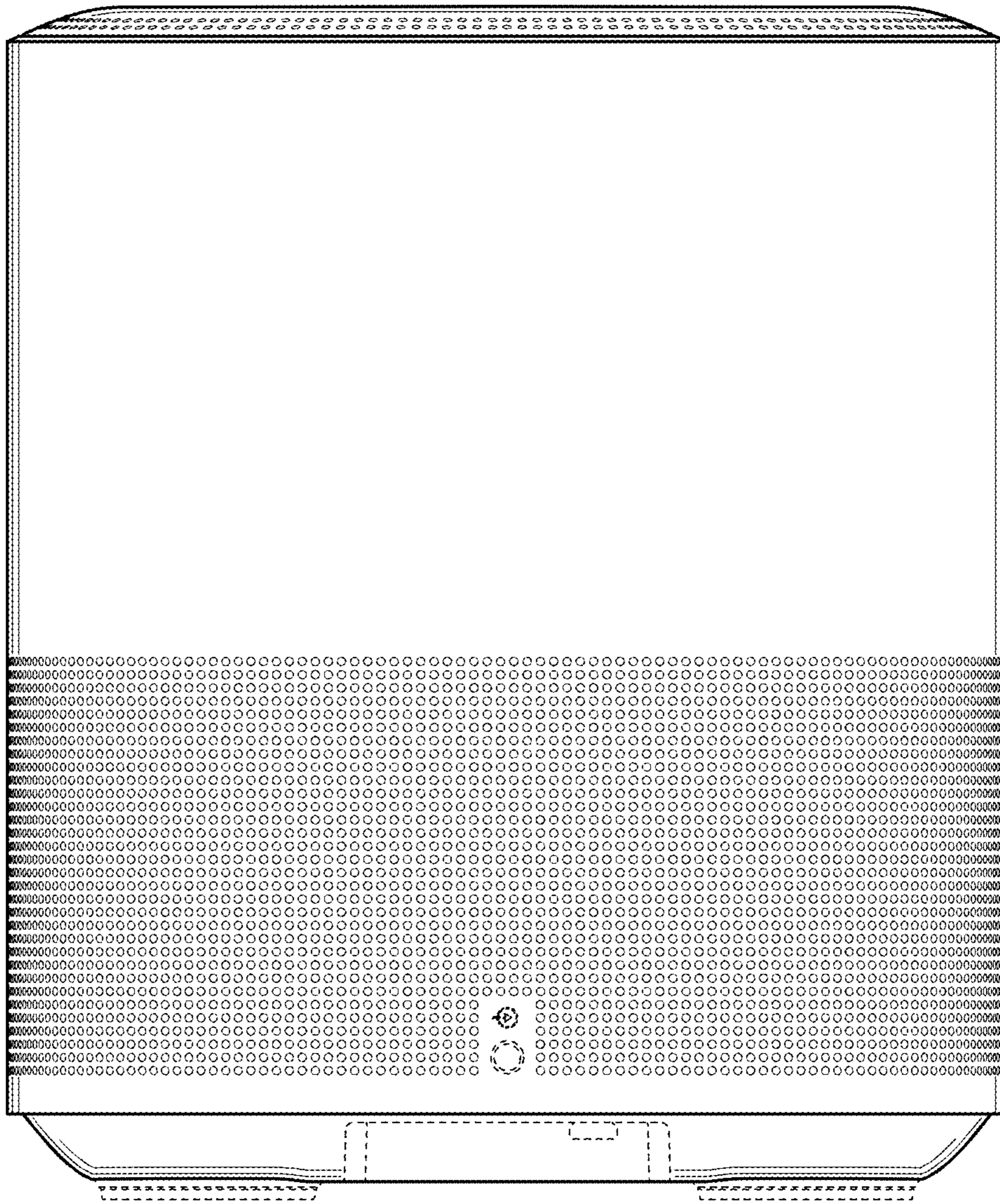


FIG. 3

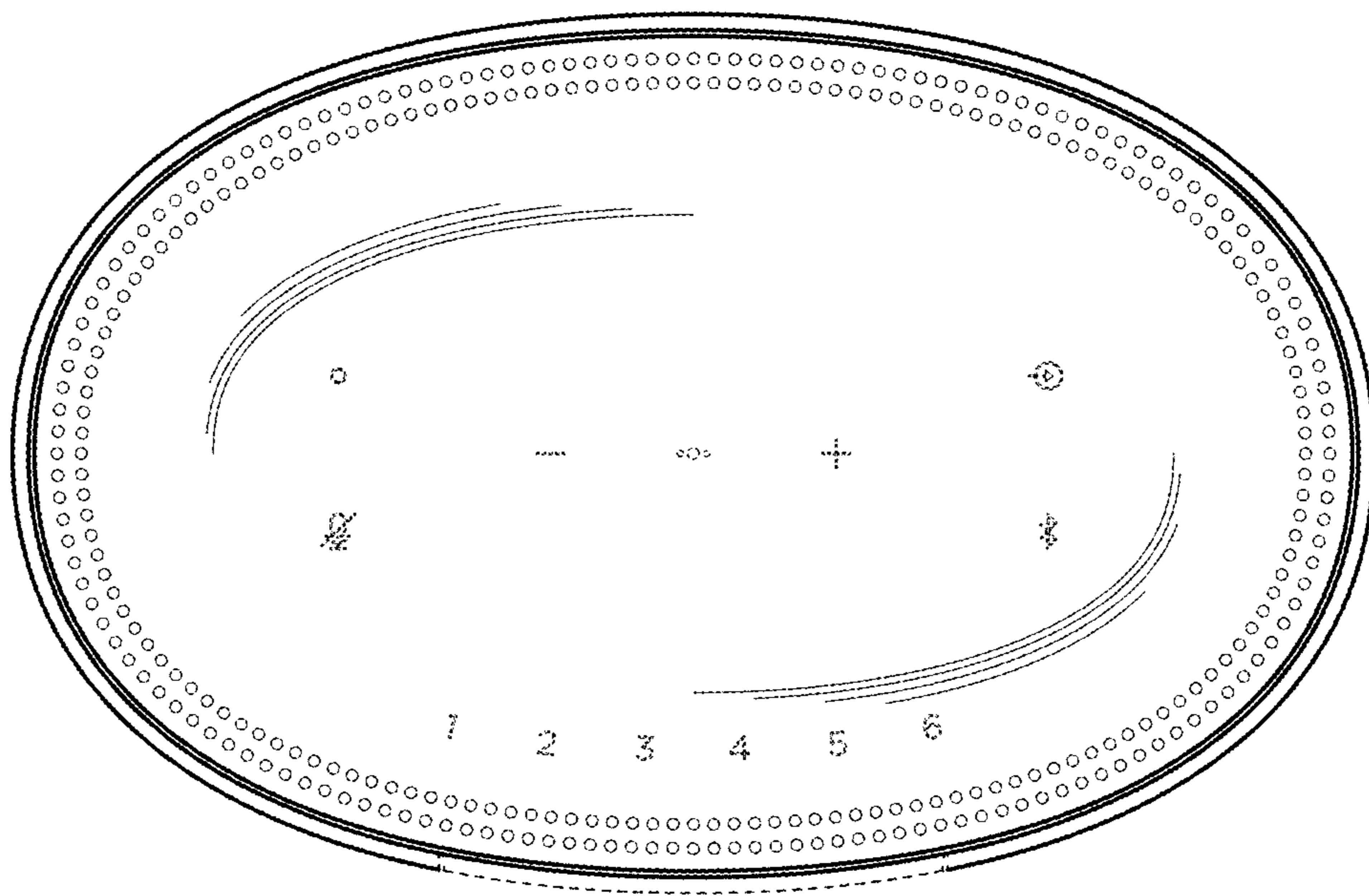


FIG. 4

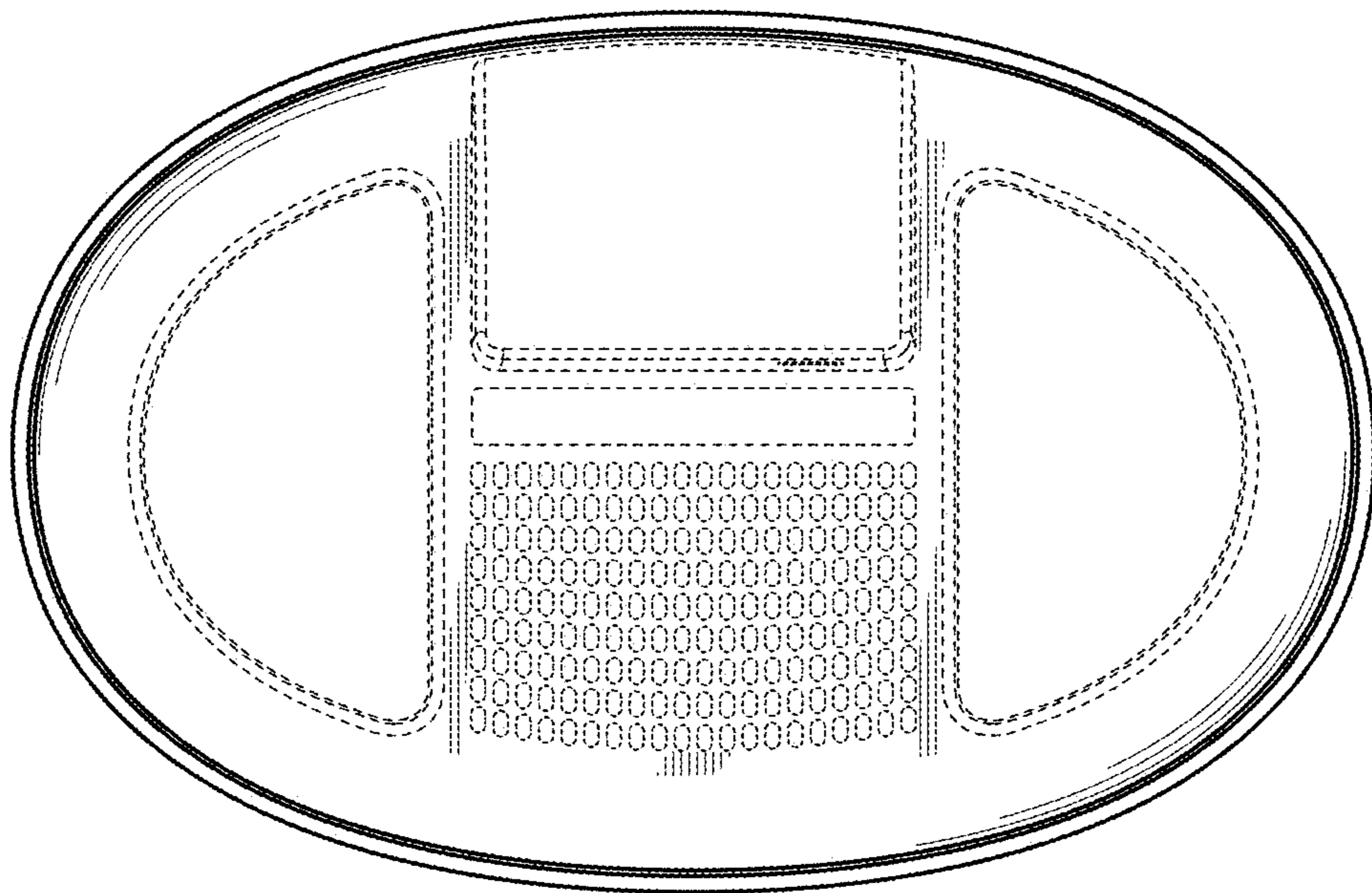


FIG. 5

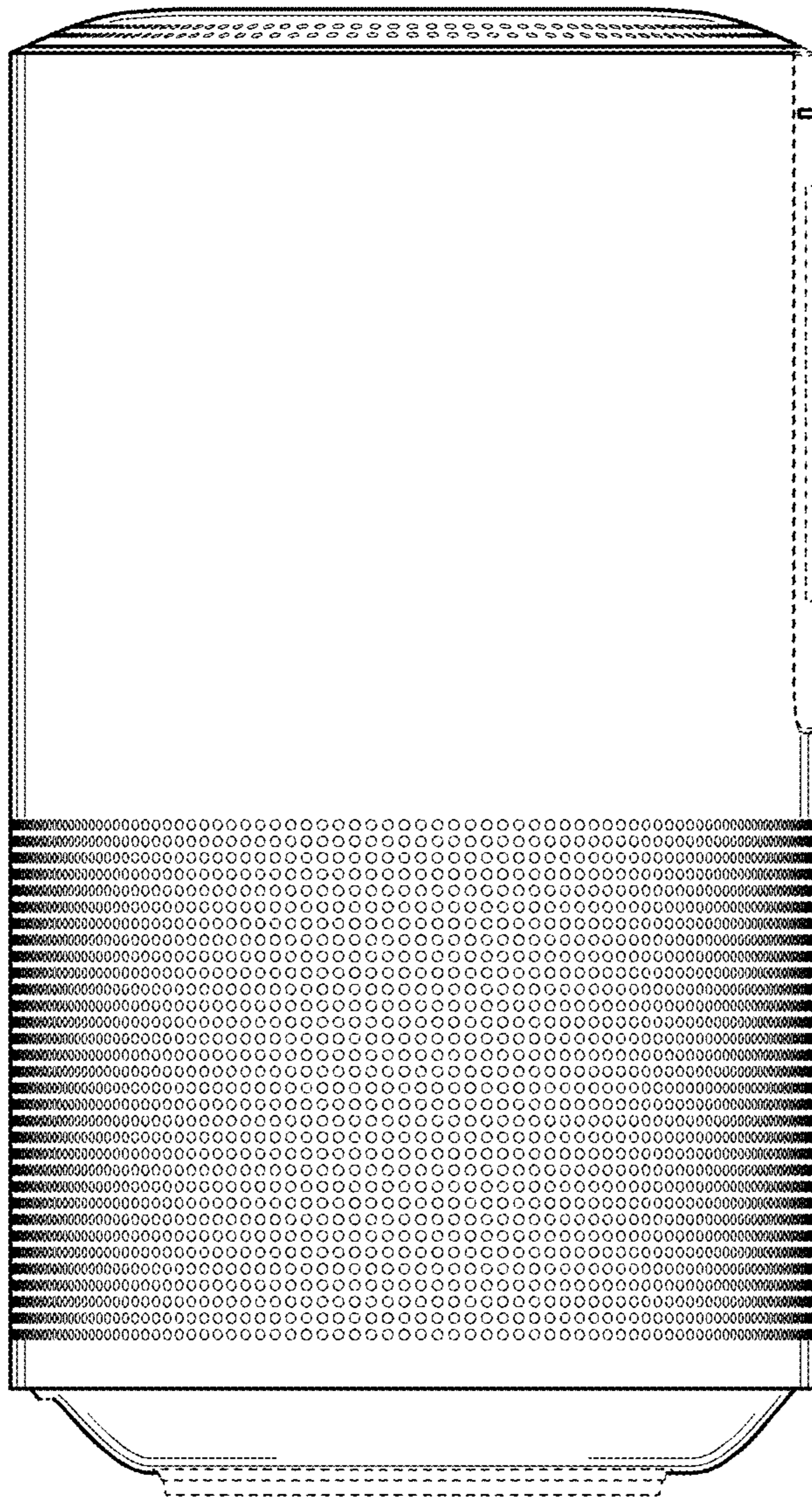


FIG. 6

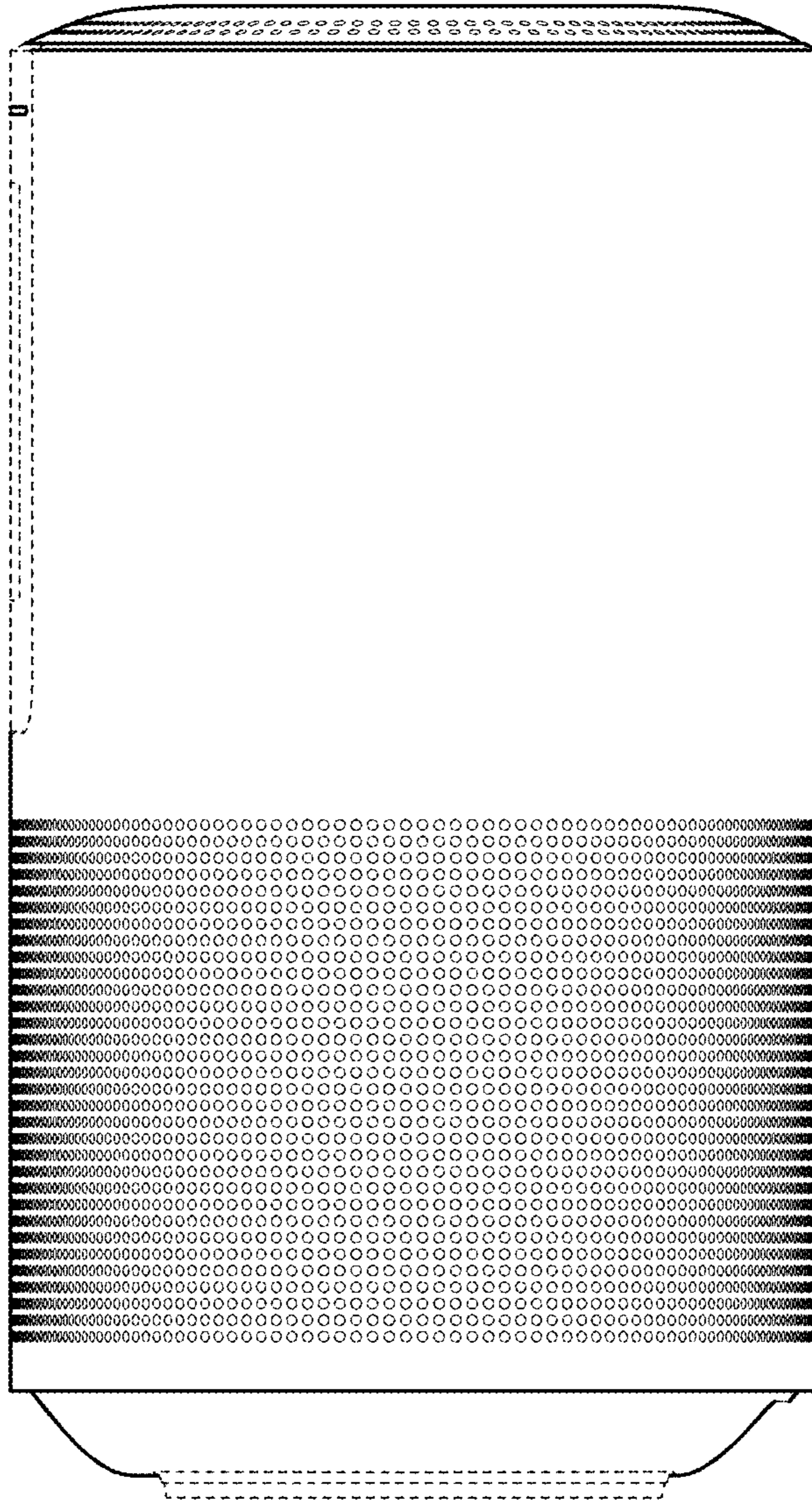


FIG. 7