



US00D896777S

(12) **United States Design Patent**
Kim et al.

(10) **Patent No.:** **US D896,777 S**

(45) **Date of Patent:** **** Sep. 22, 2020**

(54) **SPEAKER**

(71) Applicant: **Samsung Electronics Co., Ltd.**,
Suwon-si (KR)

(72) Inventors: **Jiseon Kim**, Seoul (KR); **Tae-Young Kim**, Uijeongbu-si (KR); **Joungkook Seo**, Osan-si (KR); **Sanghoon Choi**, Hwaseong-si (KR)

(73) Assignee: **Samsung Electronics Co., Ltd.**,
Suwon-si (KR)

(**) Term: **15 Years**

(21) Appl. No.: **29/650,143**

(22) Filed: **Jun. 5, 2018**

(30) **Foreign Application Priority Data**

Dec. 5, 2017 (KR) 30-2017-0057417

(51) **LOC (12) Cl.** **14-01**

(52) **U.S. Cl.**
USPC **D14/204; D14/205**

(58) **Field of Classification Search**
USPC D14/188, 192, 203.1–203.8, 204, 205,
D14/206, 210–213, 215, 216; 181/143,
181/144, 148, 153, 157, 198, 199;
369/6–12; 381/300–303, 361–364, 366,
381/386–388
CPC H04R 1/02; H04R 1/021; H04R 1/025;
H04R 1/026; H04R 5/00; H04R 9/06;
H04R 19/013; H04R 2400/00
See application file for complete search history.

(56) **References Cited**

U.S. PATENT DOCUMENTS

5,965,850 A * 10/1999 Fraser A61F 11/008
181/129
D475,037 S * 5/2003 Leung D14/204

D500,306 S * 12/2004 Noselli D14/204
D501,844 S * 2/2005 Hirano D14/192
D526,663 S * 8/2006 Bang D14/203.5
D746,256 S * 12/2015 Lee D14/204
D755,752 S * 5/2016 Lee D14/205
D766,869 S * 9/2016 Lee D14/205
D776,636 S * 1/2017 Lim D14/205
D777,890 S * 1/2017 Hsiao D23/333
D780,899 S * 3/2017 Hsiao D23/333
D781,815 S * 3/2017 Choi D14/205

* cited by examiner

Primary Examiner — Janice Patyk

(74) *Attorney, Agent, or Firm* — NSIP Law

(57) **CLAIM**

We claim the ornamental design for a speaker, as shown and described.

DESCRIPTION

FIG. 1 is a front perspective view of a speaker showing our new design;
FIG. 2 is a front elevational view thereof;
FIG. 3 is a rear elevational view thereof;
FIG. 4 is a left-side elevational view thereof;
FIG. 5 is a right-side elevational view thereof;
FIG. 6 is a top plan view thereof;
FIG. 7 is a bottom plan view thereof;
FIG. 8 is a rear perspective view thereof; and,
FIG. 9 is another front perspective view thereof.
The dot-dash broken lines immediately adjacent to the claimed areas in the views represent the boundaries of the claimed design and form no part thereof. The broken lines in the figures illustrate the portions of the design that form no part of the claimed design. None of the broken lines form any part of the claimed design.

1 Claim, 9 Drawing Sheets

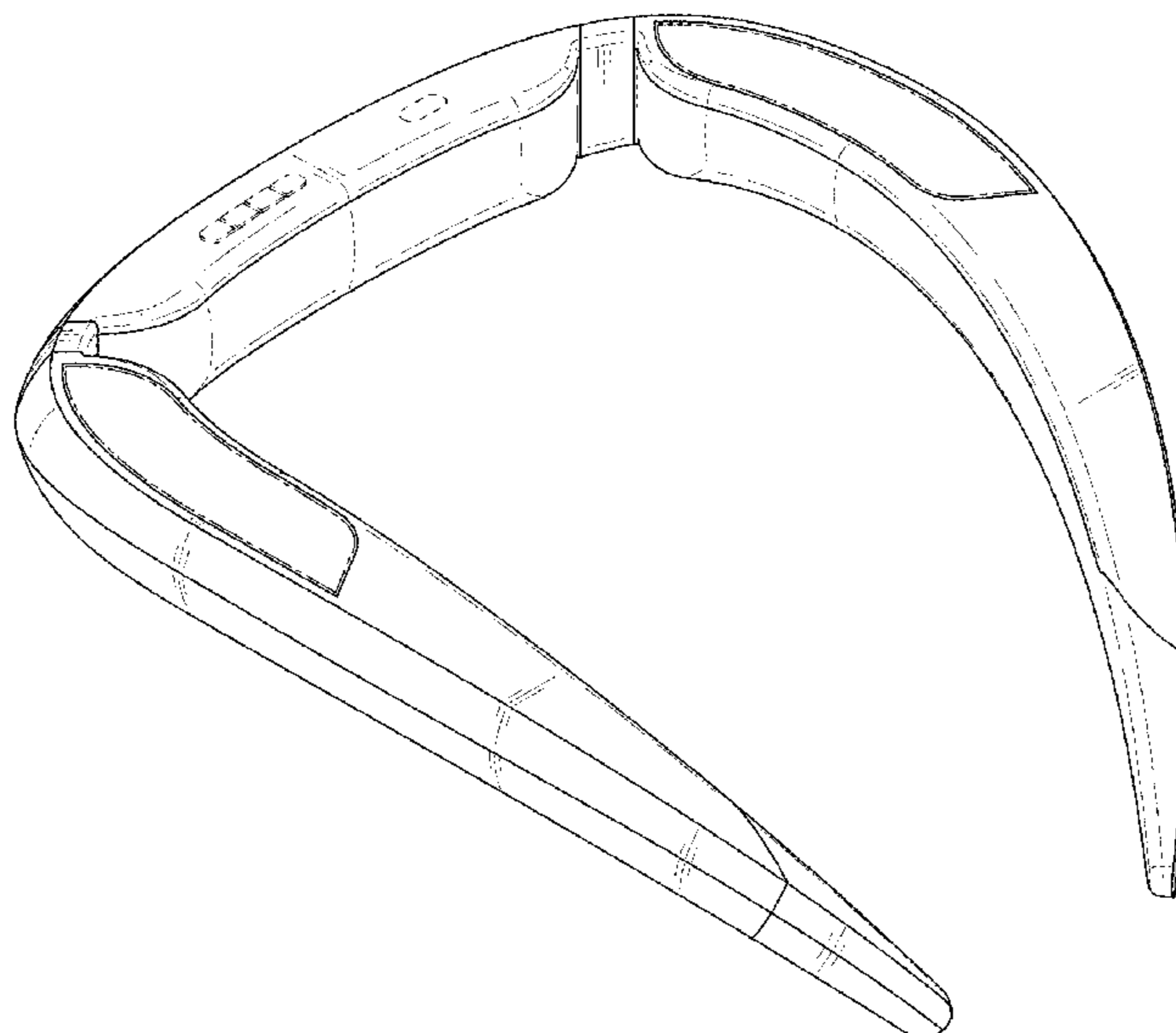


FIG. 1

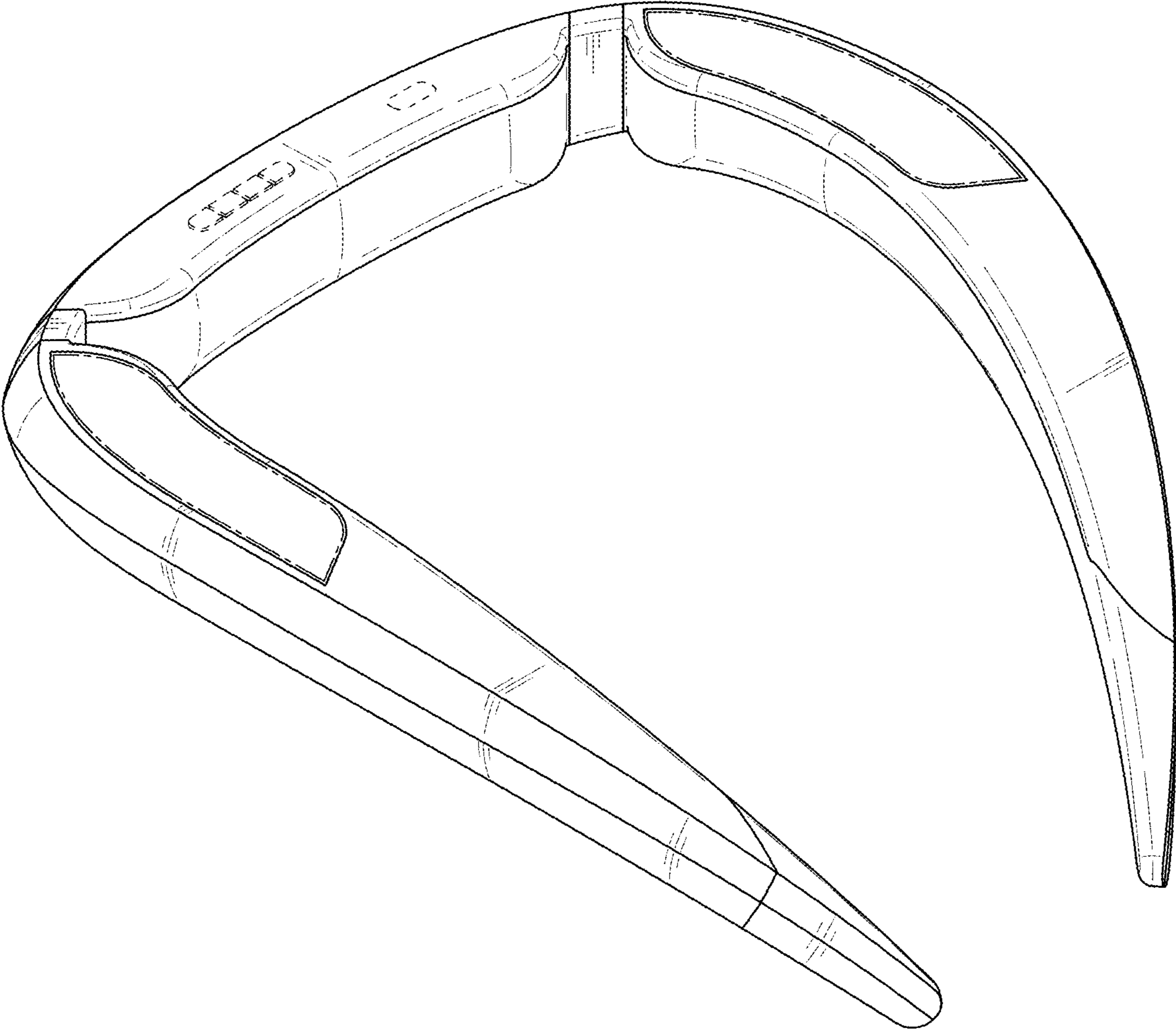


FIG. 2

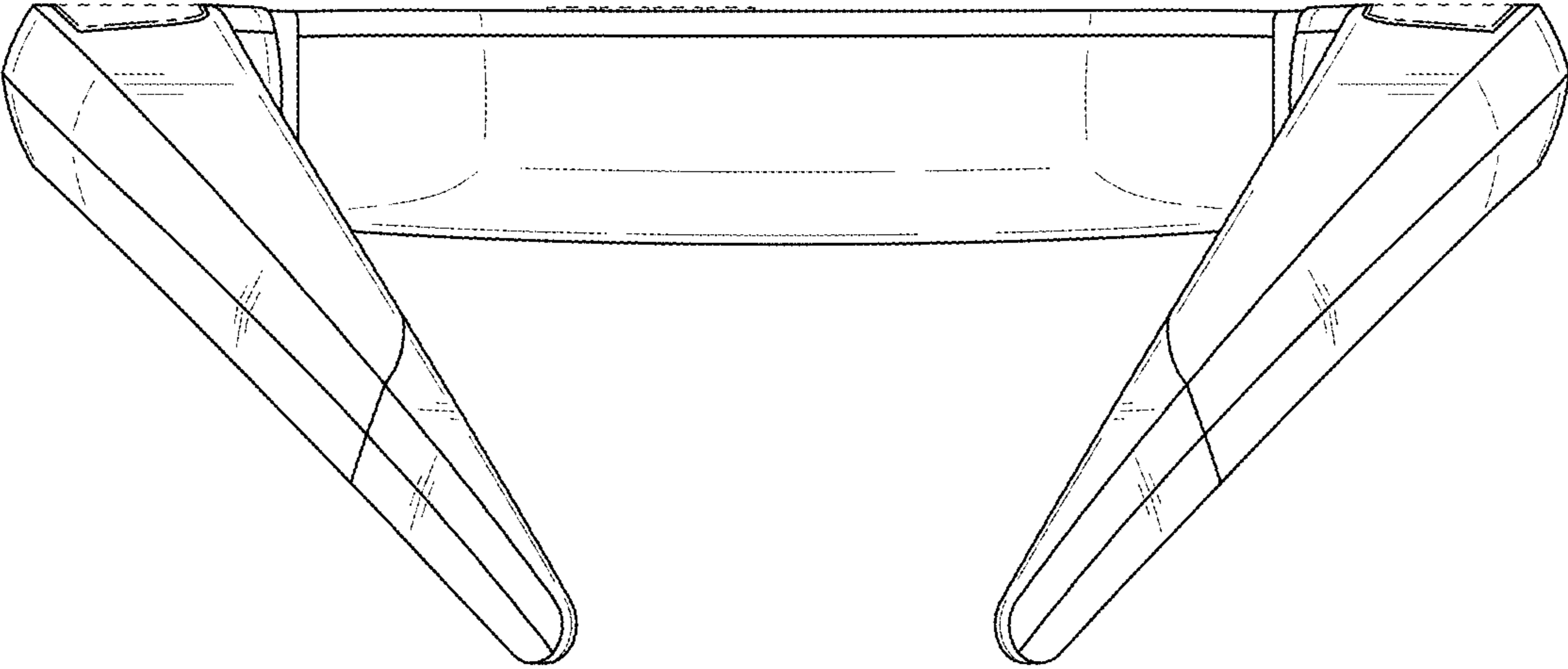


FIG. 3

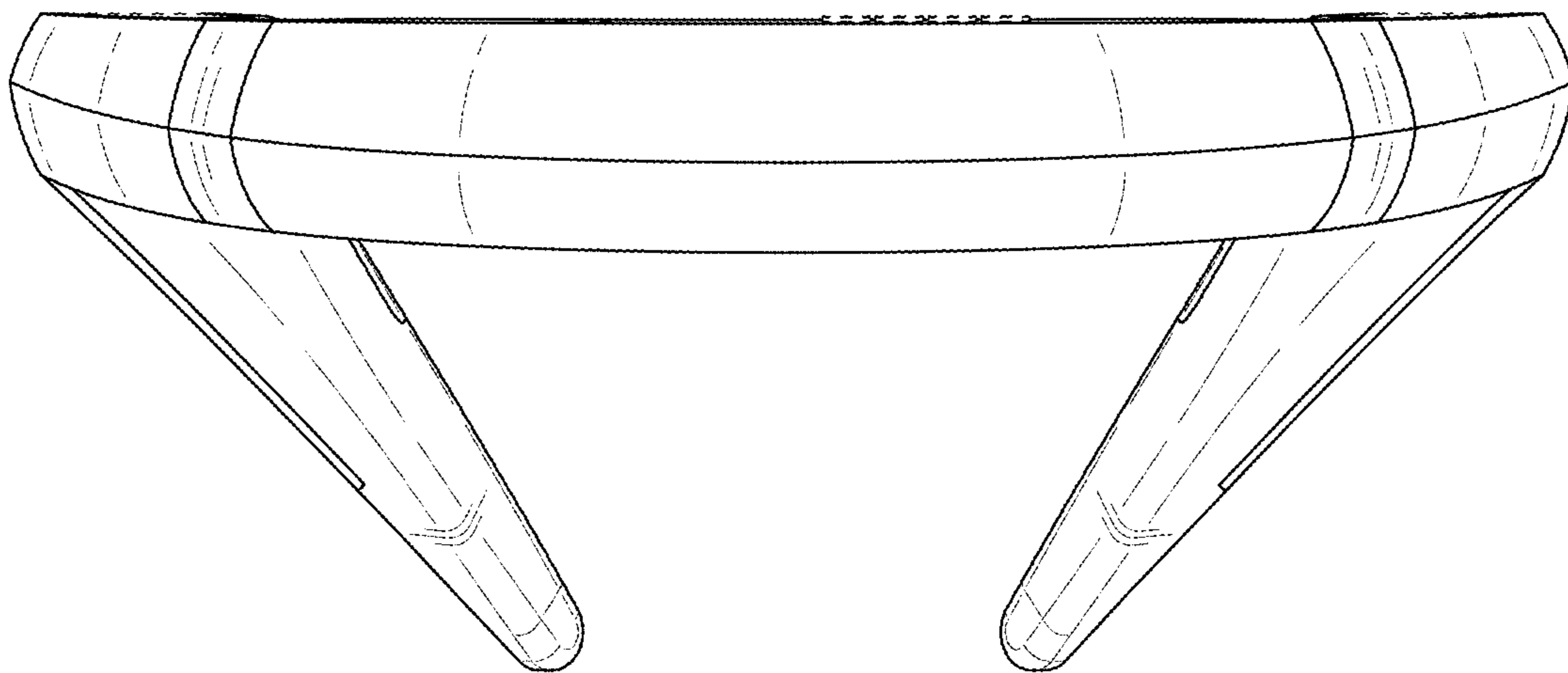


FIG. 4

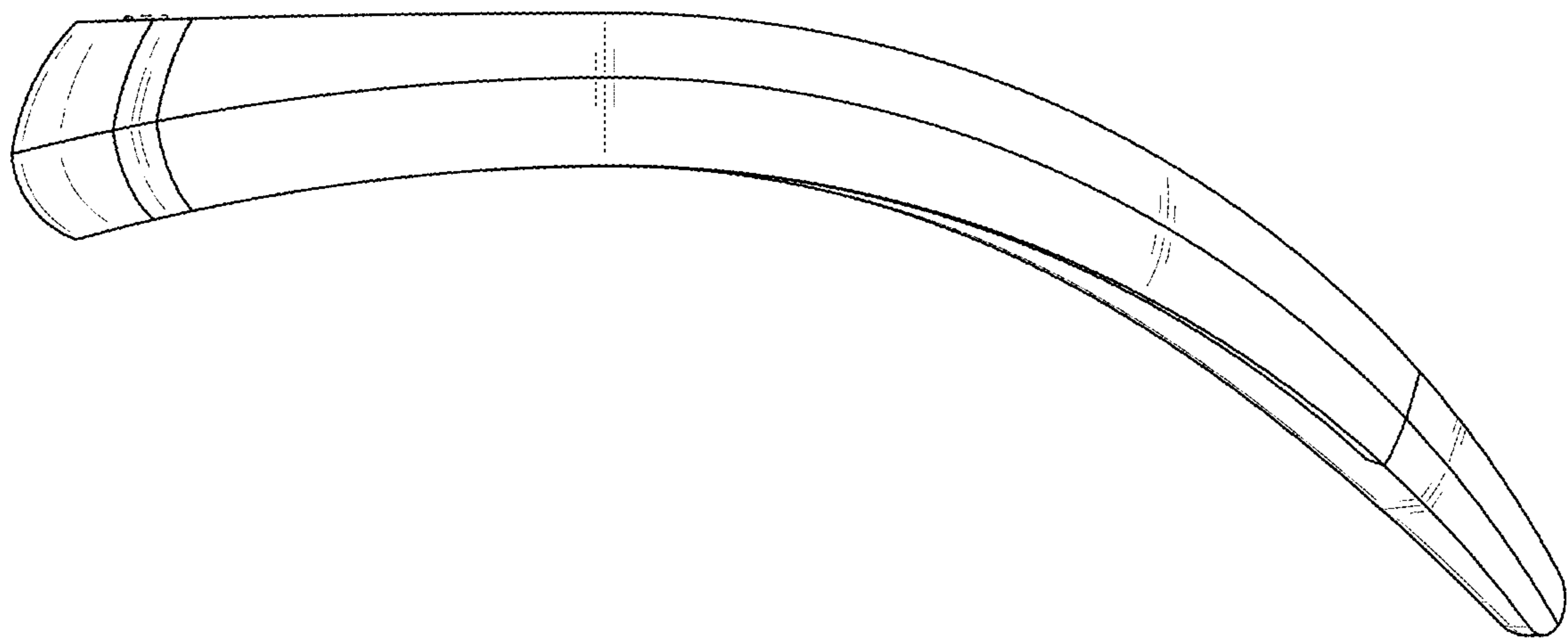


FIG. 5

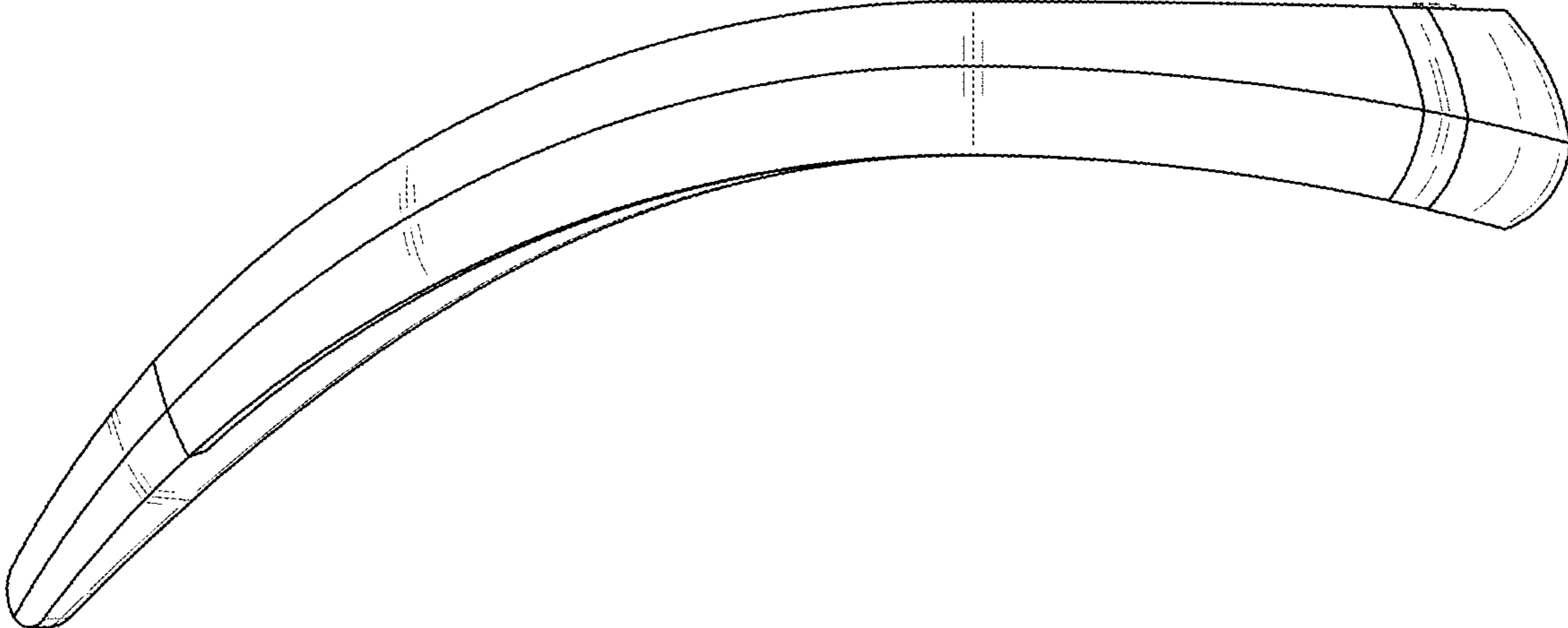


FIG. 6

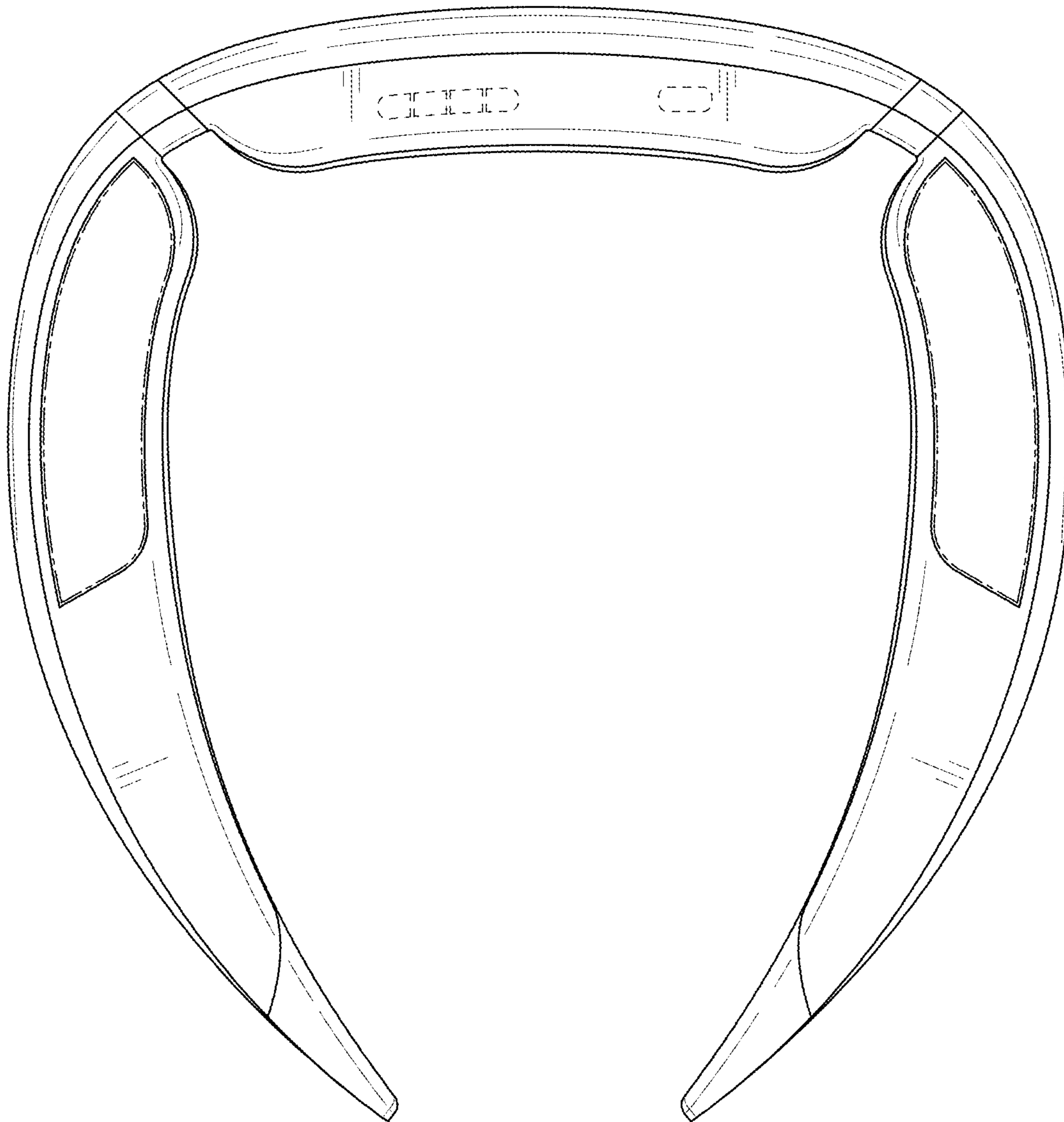


FIG. 7

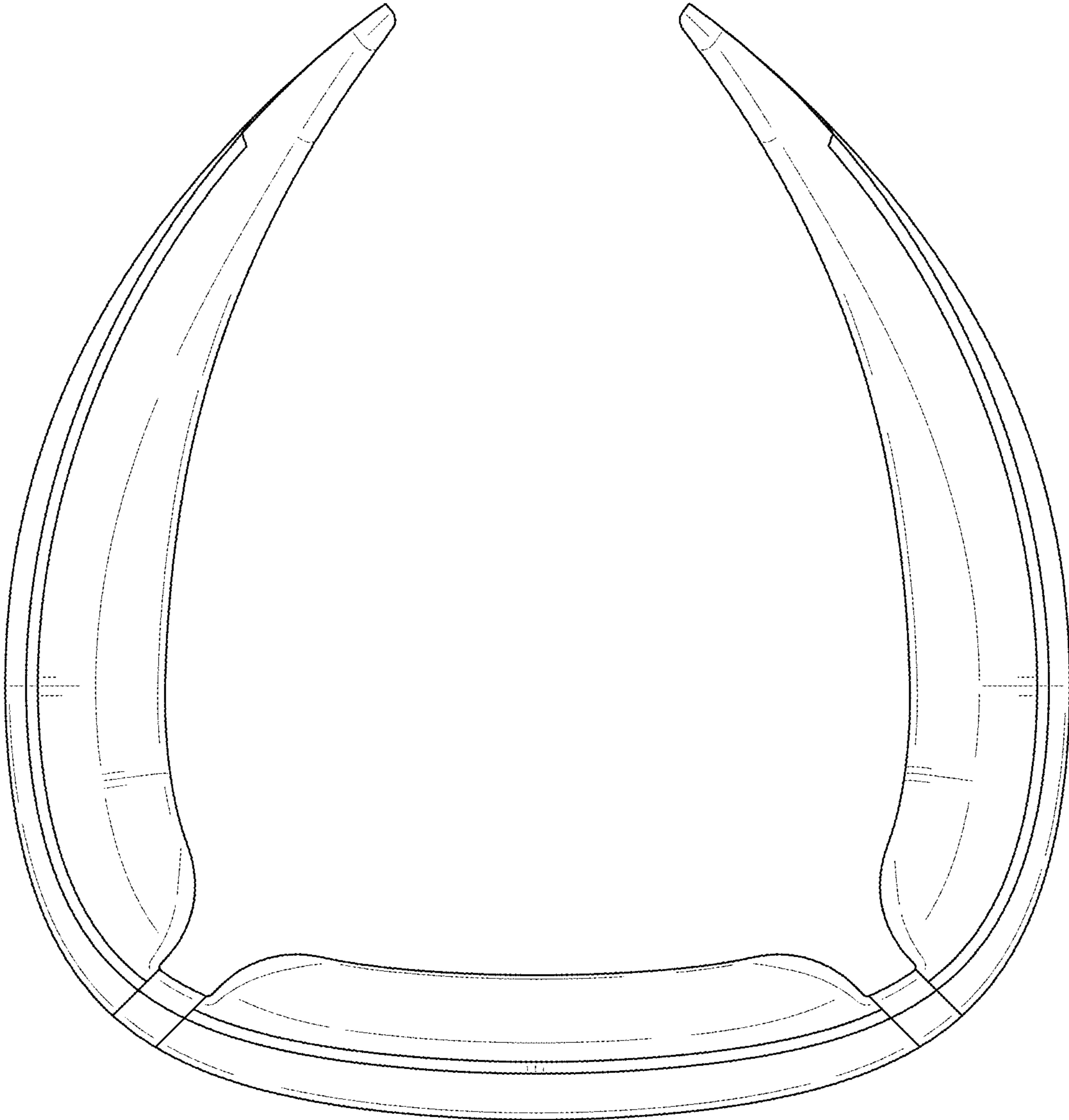


FIG. 8

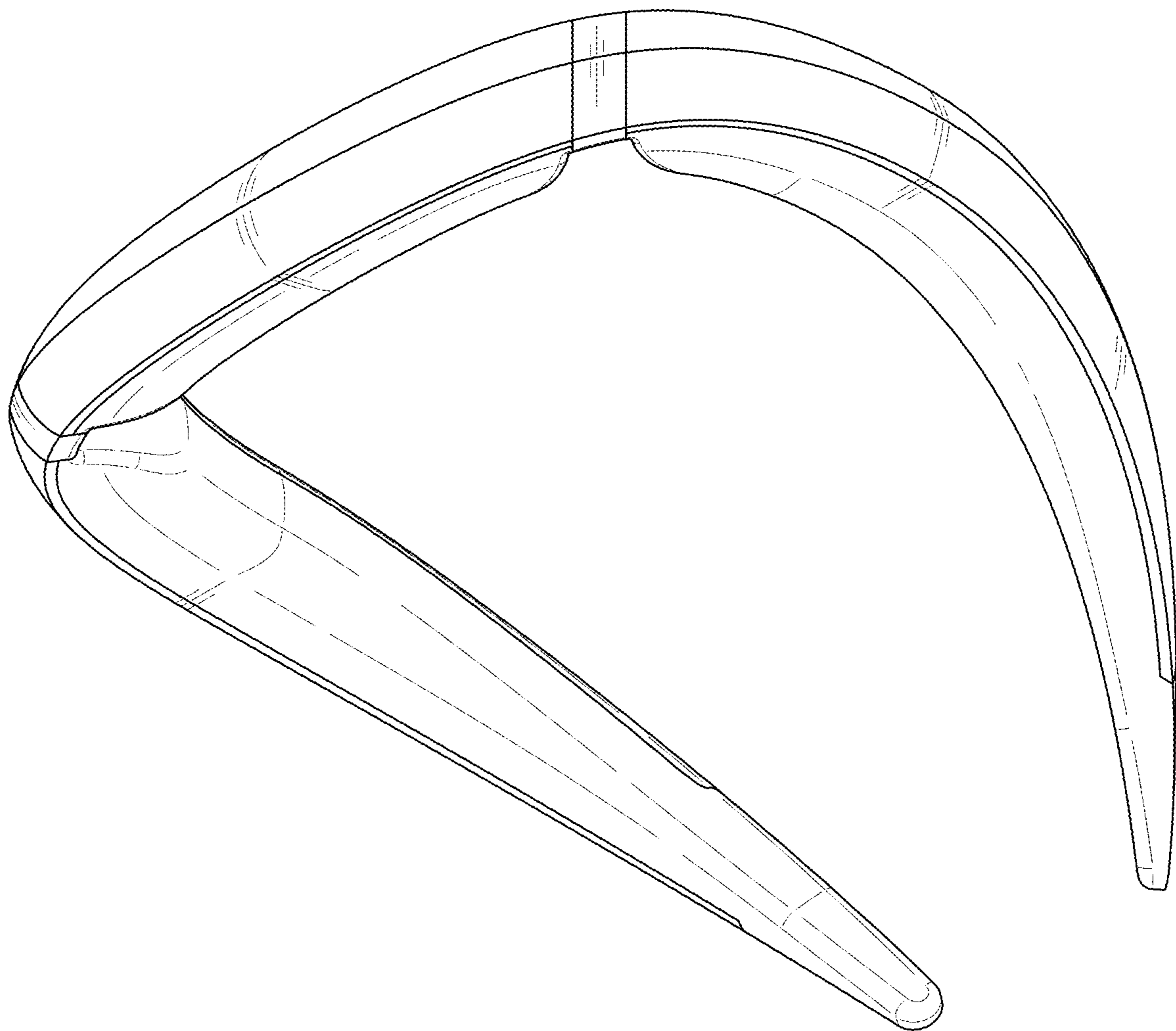


FIG. 9

