



US00D896776S

(12) **United States Design Patent** (10) **Patent No.:** **US D896,776 S**  
**Li** (45) **Date of Patent:** **\*\* Sep. 22, 2020**

(54) **SOUND BOX**

D770,418 S \* 11/2016 Hong ..... D14/216  
D778,876 S \* 2/2017 Zhang ..... D14/216  
D780,160 S \* 2/2017 Hinokio ..... D14/215

(71) Applicant: **Yuyu Li**, Mianyang (CN)

\* cited by examiner

(72) Inventor: **Yuyu Li**, Mianyang (CN)

*Primary Examiner* — Janice Patyk

(\*\*) Term: **15 Years**

(74) *Attorney, Agent, or Firm* — Bayramoglu Law Offices LLC

(21) Appl. No.: **29/646,401**

(22) Filed: **May 4, 2018**

(57) **CLAIM**

(51) **LOC (12) Cl.** ..... **14-01**

The ornamental design for a sound box, as shown and described.

(52) **U.S. Cl.**

USPC ..... **D14/204**

**DESCRIPTION**

(58) **Field of Classification Search**

USPC ..... D14/188, 192, 203.1–203.8, 204,  
D14/210–213, 215, 216; 181/143, 144,  
181/148, 153, 157, 198, 199; 369/6–12;  
381/300–303, 361–364, 366, 386–388  
CPC ..... H04R 1/02; H04R 1/021; H04R 1/025;  
H04R 1/026; H04R 5/00; H04R 9/06;  
H04R 19/013; H04R 2400/00

See application file for complete search history.

FIG. 1 is a right side view of a sound box, showing my new design;  
FIG. 2 is a front view thereof;  
FIG. 3 is a left side view thereof;  
FIG. 4 is a rear view thereof;  
FIG. 5 is a top view thereof;  
FIG. 6 is a bottom view thereof;  
FIG. 7 is a front perspective view thereof.  
FIG. 8 is a top perspective view thereof;  
FIG. 9 is a partially enlarged view, taken from FIG. 8; and,  
FIG. 10 is a bottom perspective view thereof.

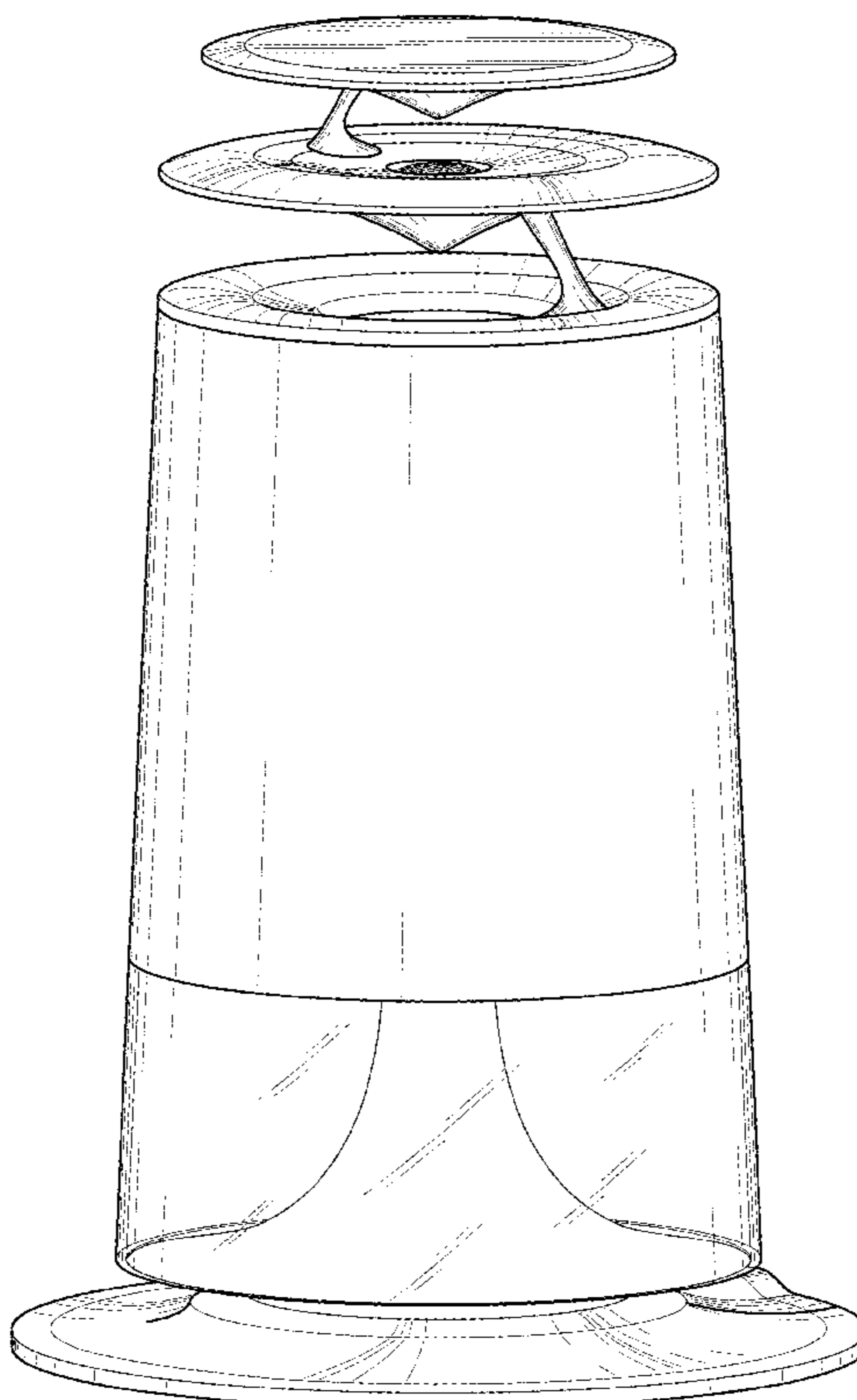
(56) **References Cited**

**U.S. PATENT DOCUMENTS**

D484,490 S \* 12/2003 Lewis ..... D14/216  
D542,778 S \* 5/2007 Harris, Jr. .... D14/216  
D575,770 S \* 8/2008 Lewis ..... D14/216  
D608,349 S \* 1/2010 Wang ..... D14/216  
D711,353 S \* 8/2014 Szymanski ..... D14/216  
D735,163 S \* 7/2015 Valeur ..... D14/216

The broken lines in the figures illustrate the portions of the design that form no part of the claimed design.  
The broken lines of FIGS. 8 and 9 are included to show a partially enlarged view only and form no part of the claimed design.

**1 Claim, 10 Drawing Sheets**



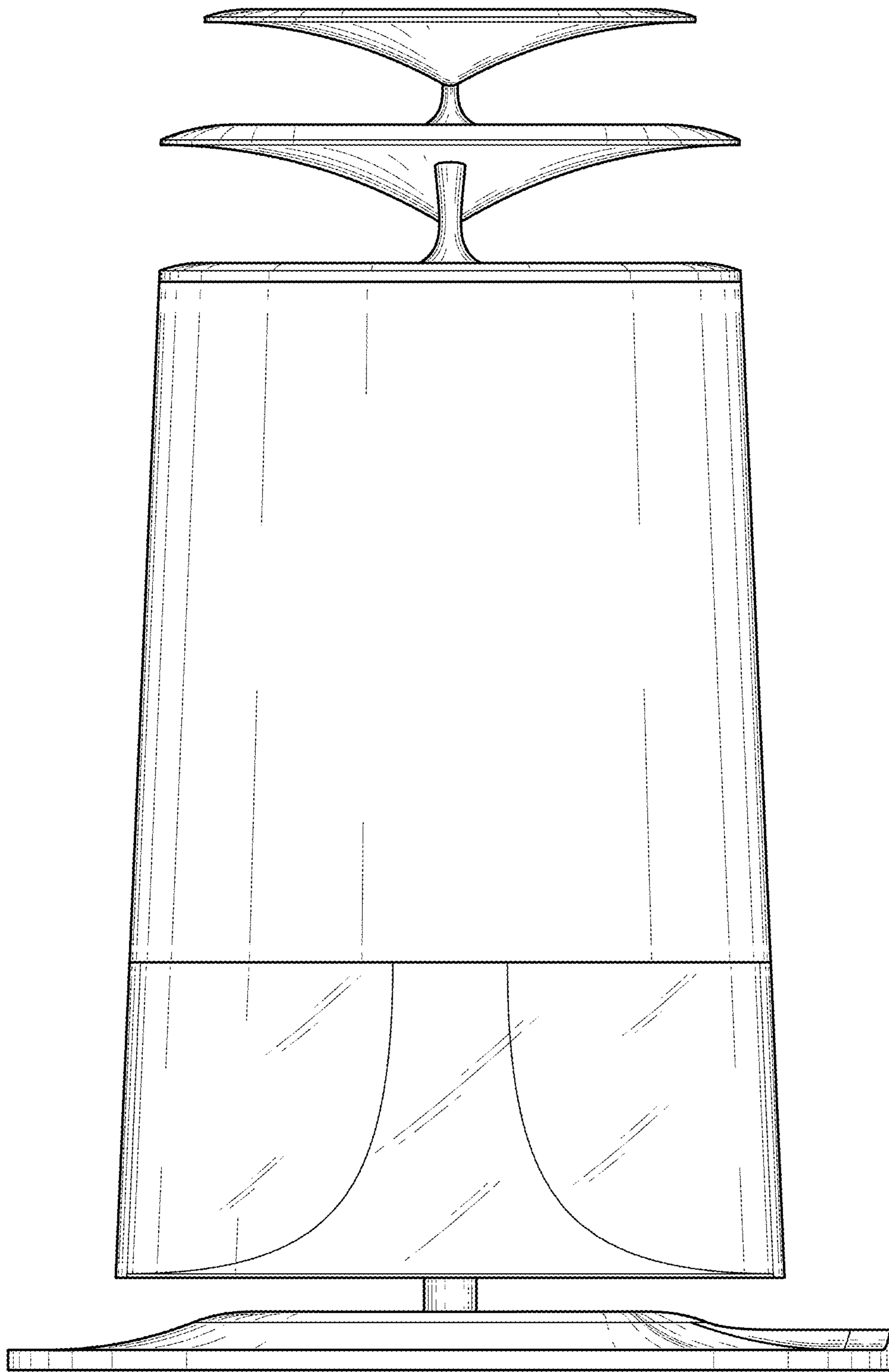


FIG. 1

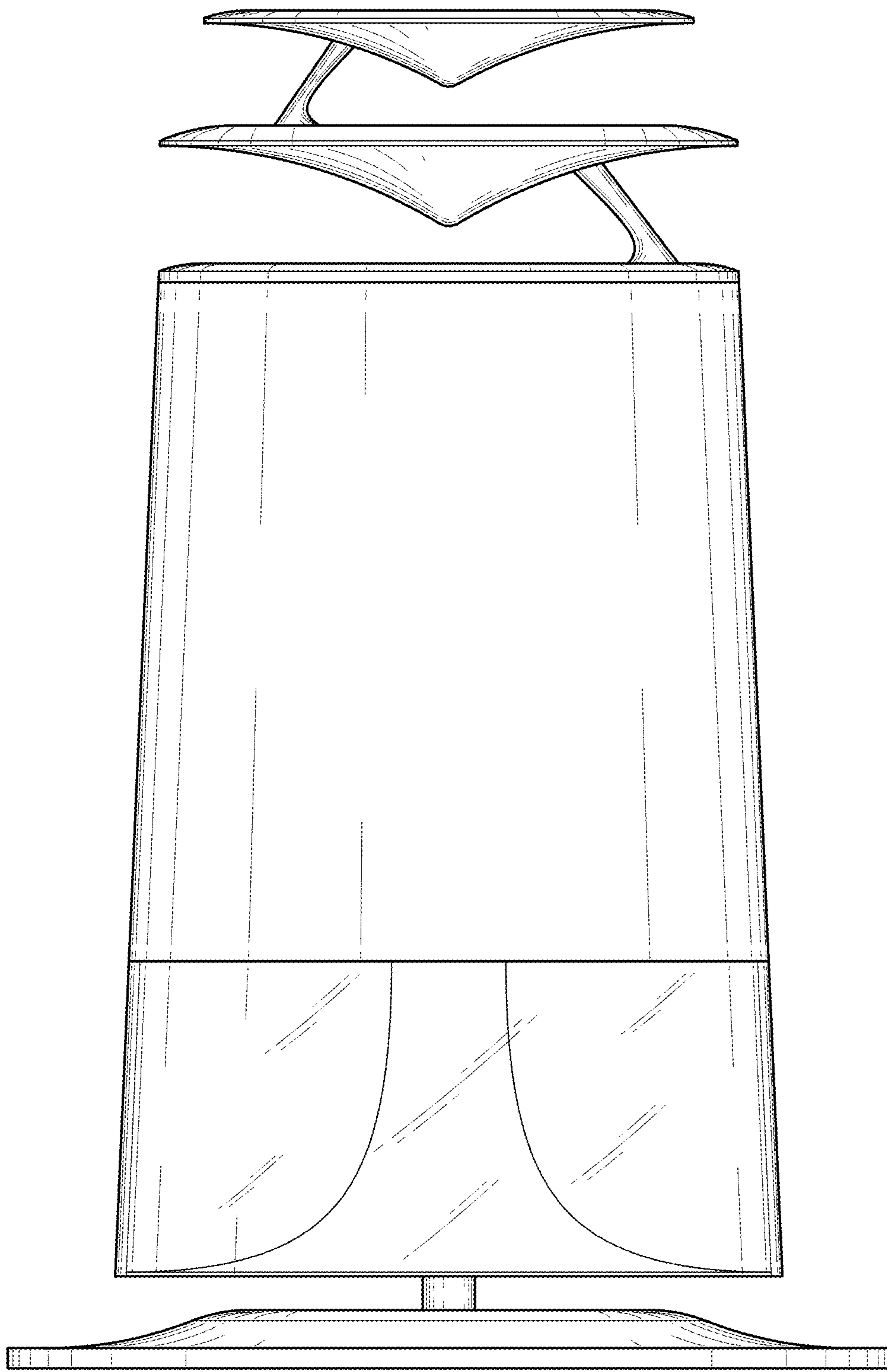


FIG. 2

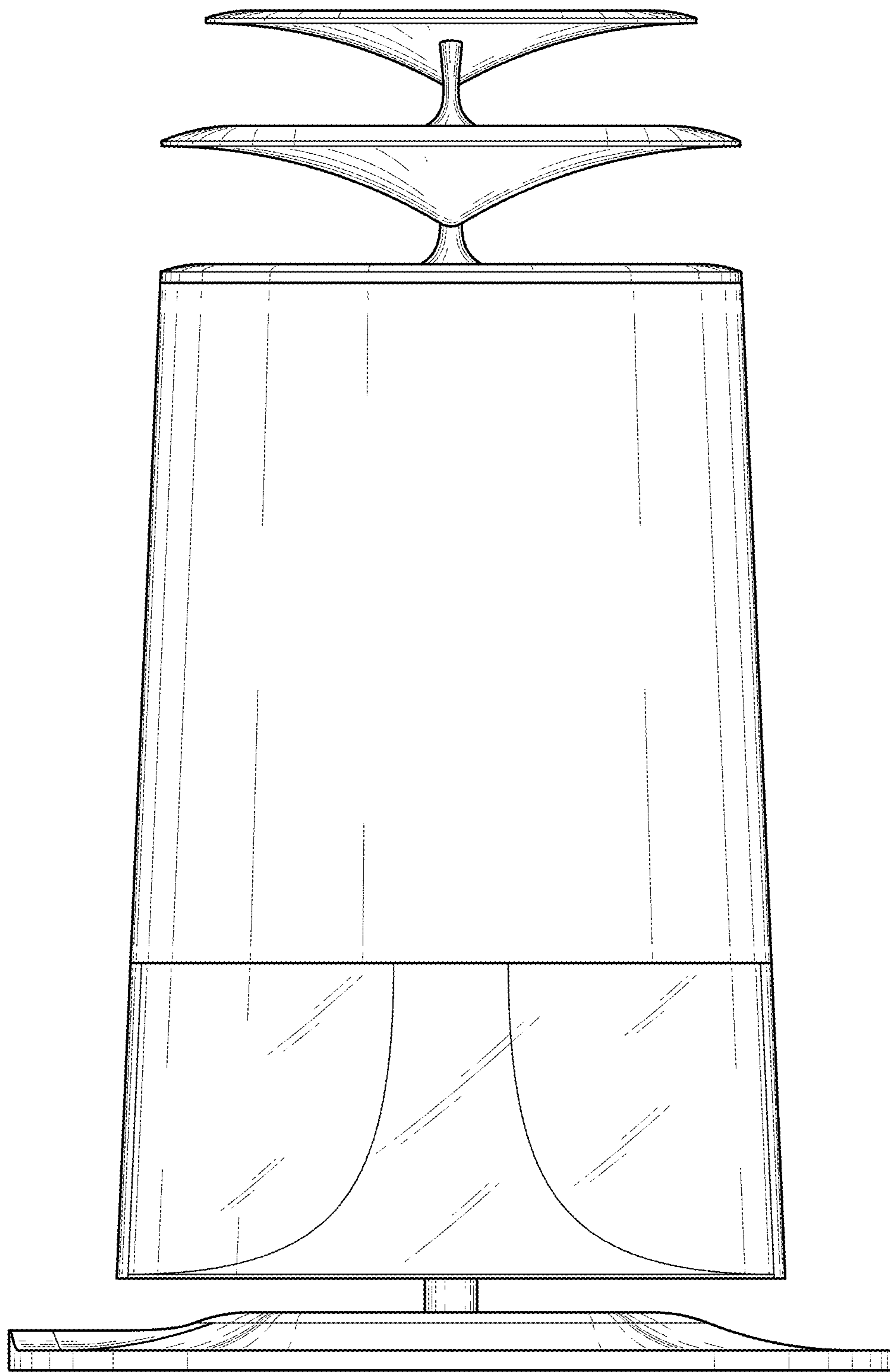


FIG. 3

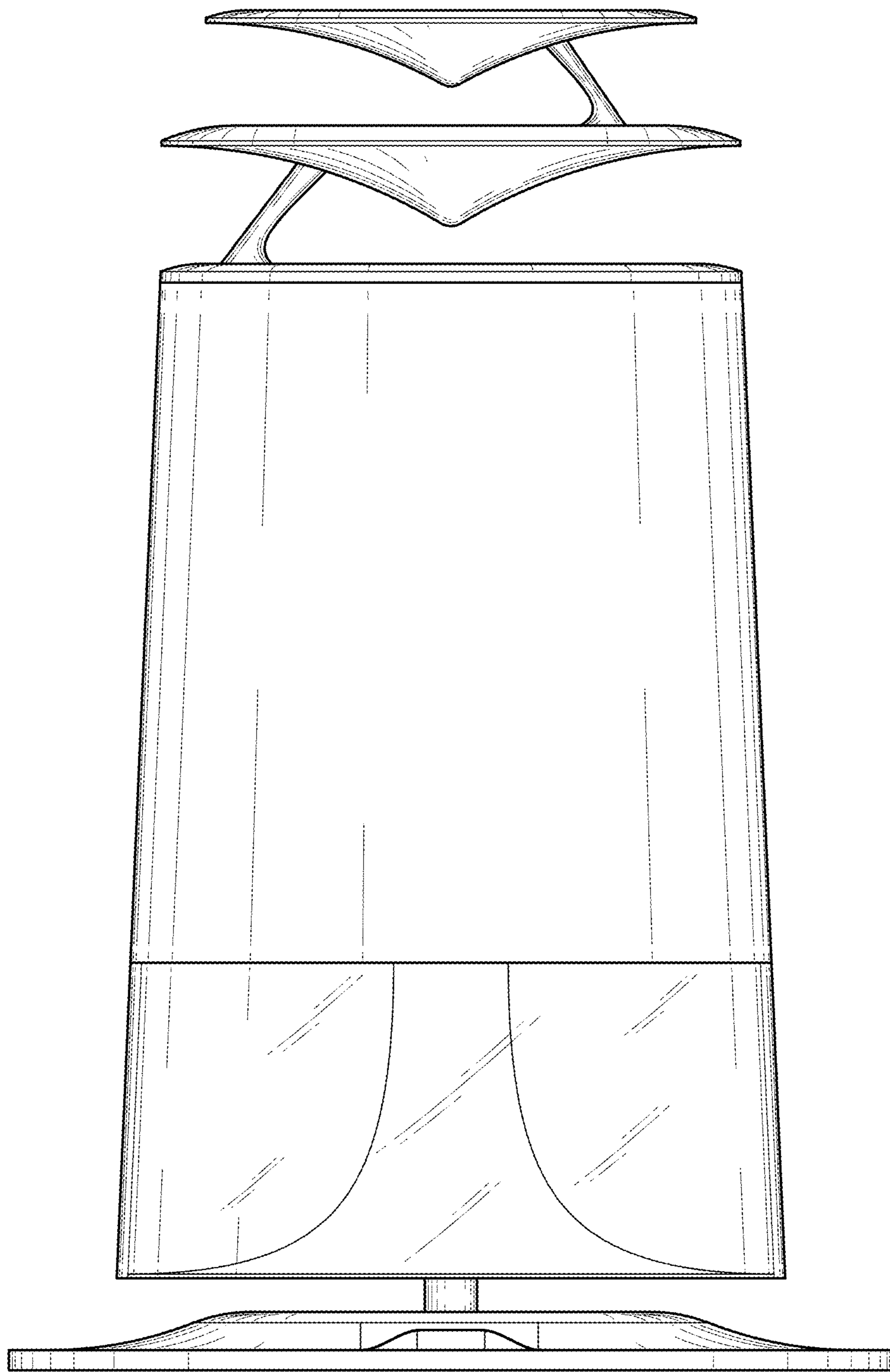


FIG. 4

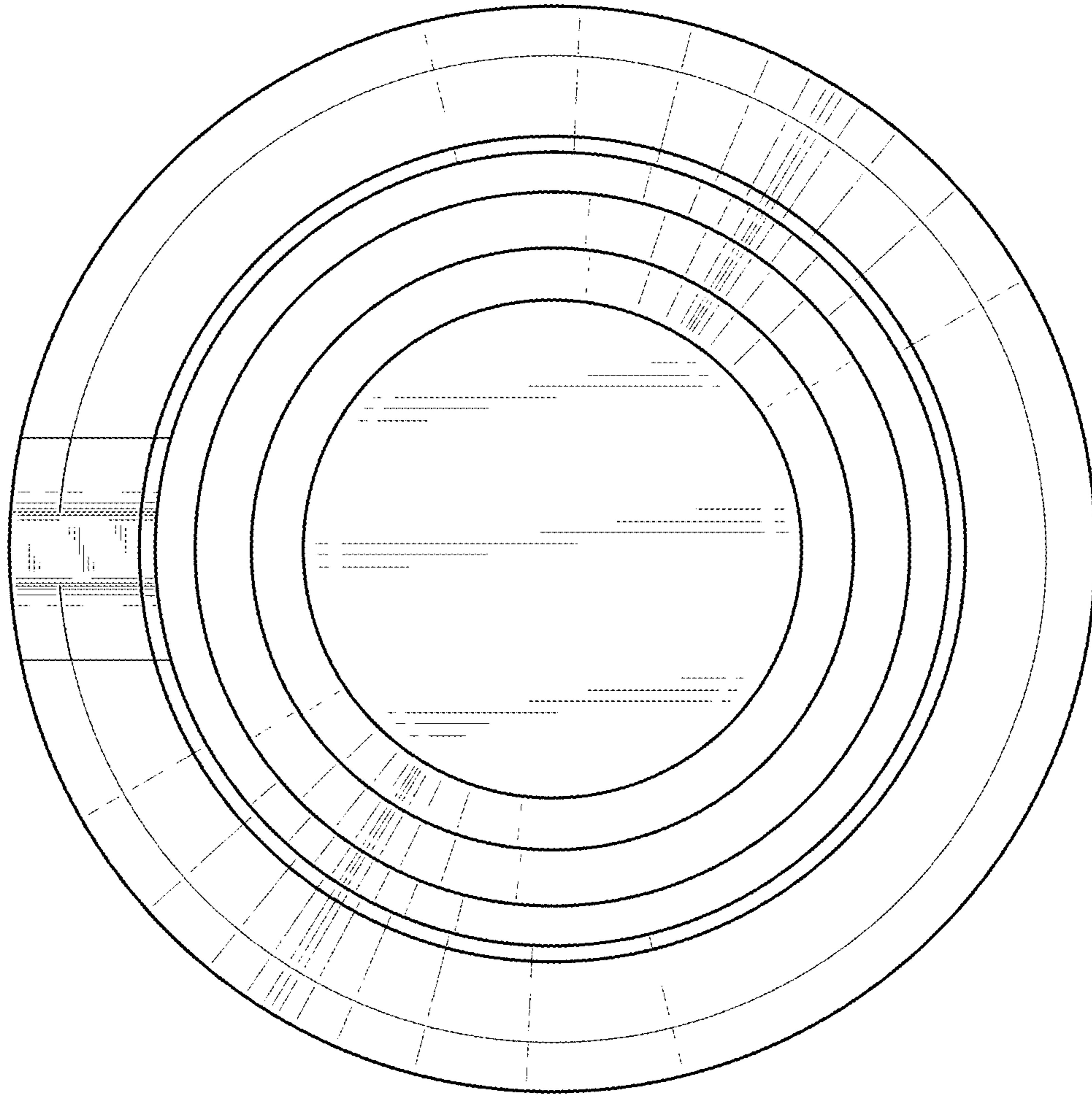


FIG. 5

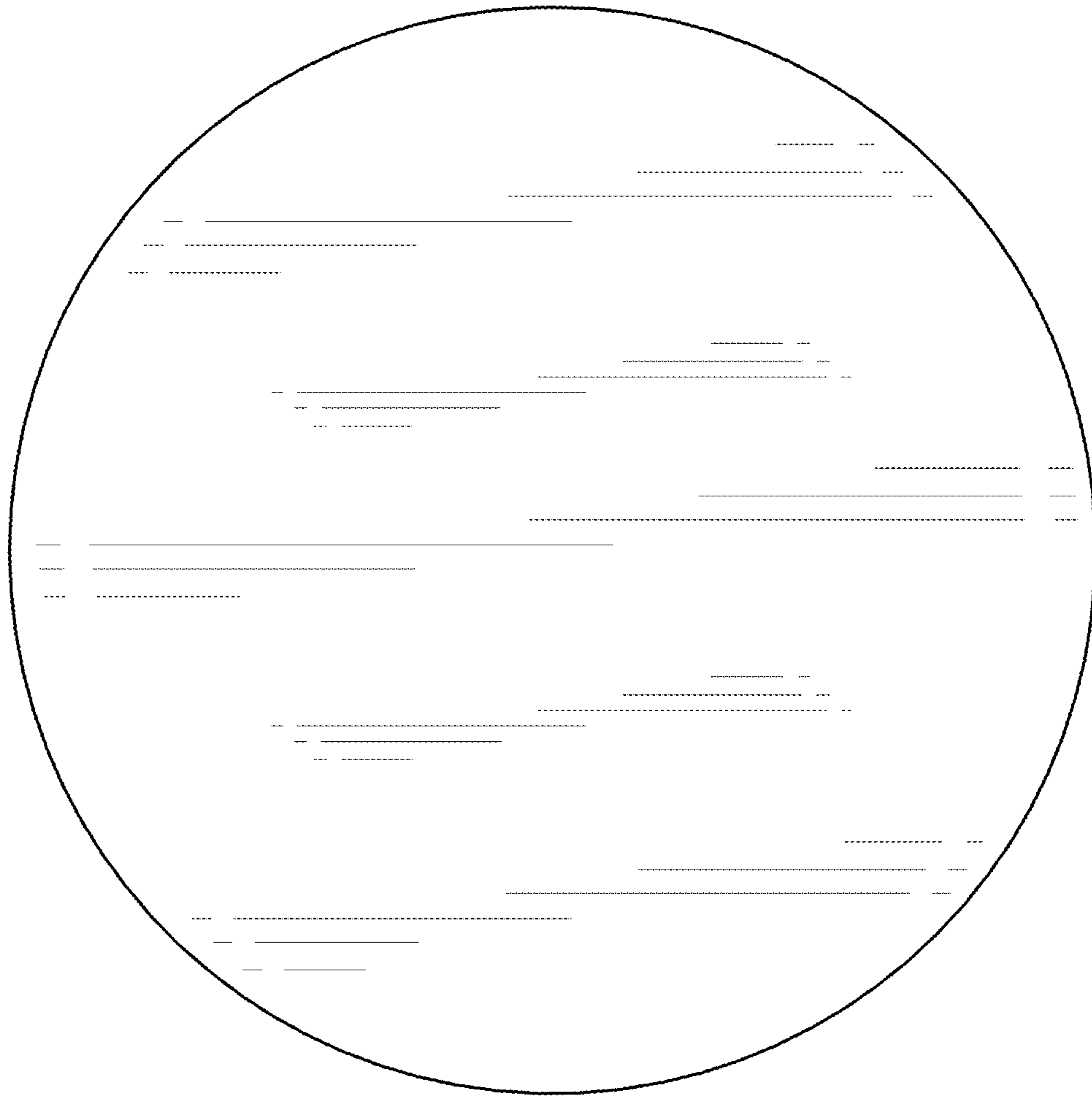


FIG. 6

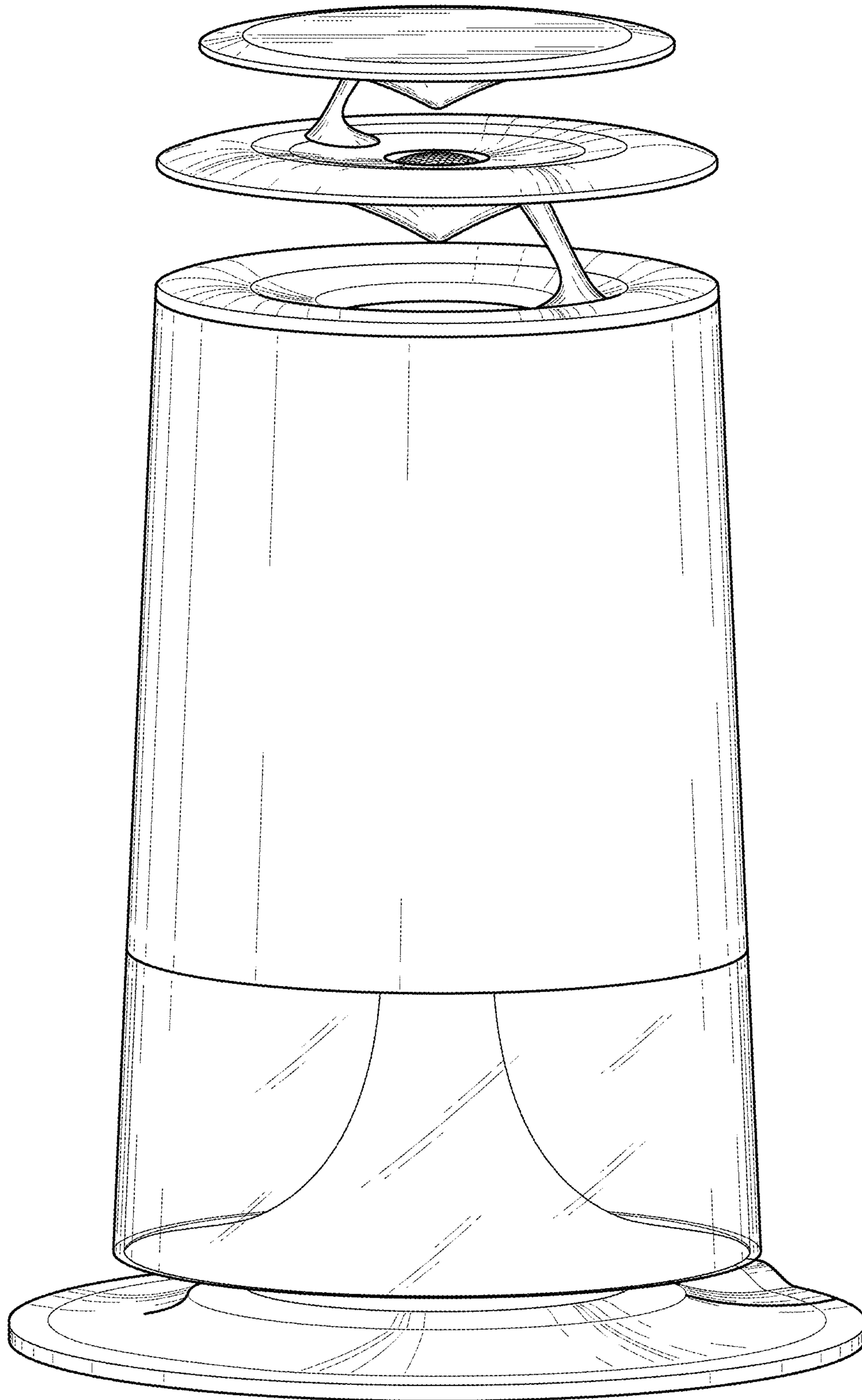


FIG. 7



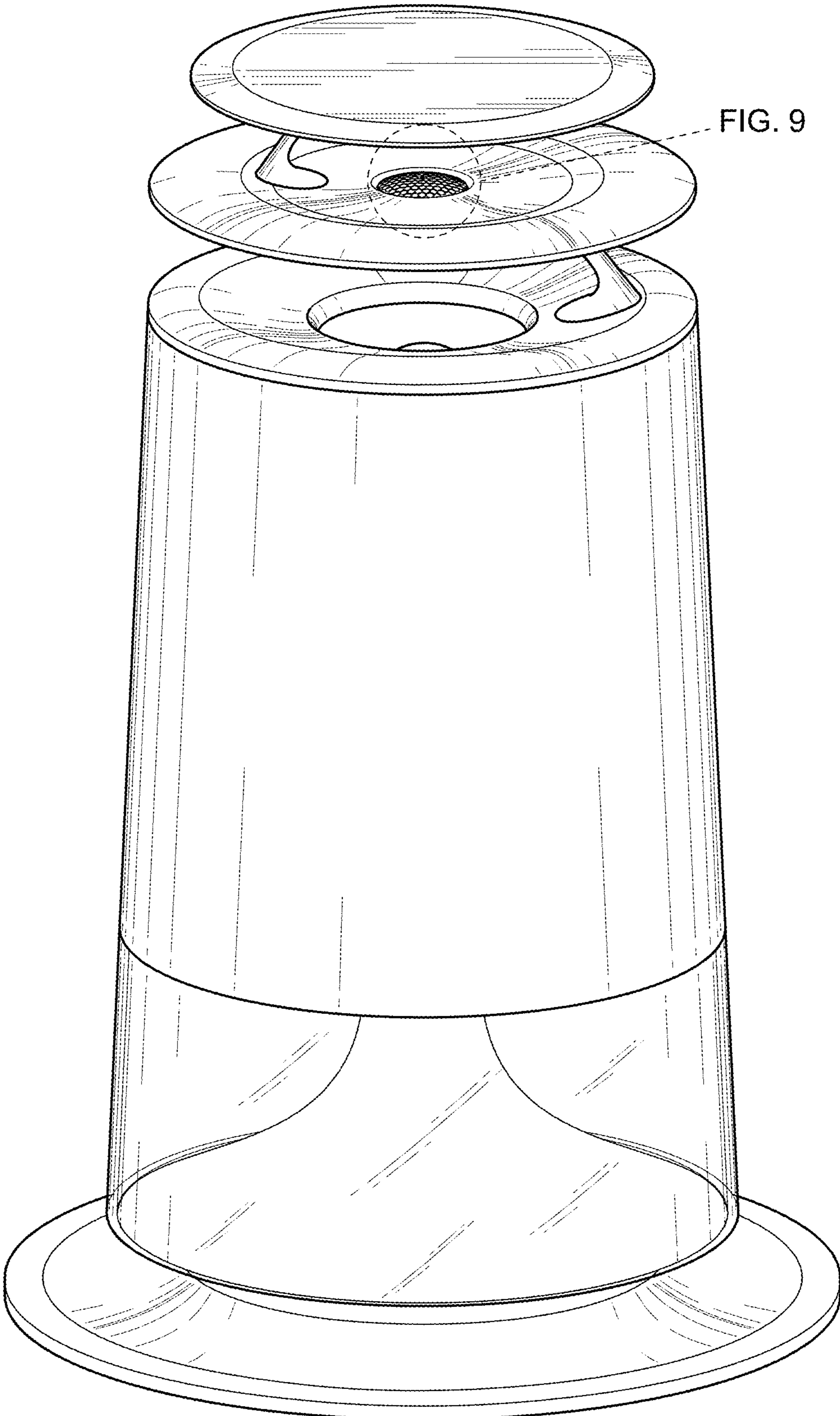


FIG. 9

FIG. 8

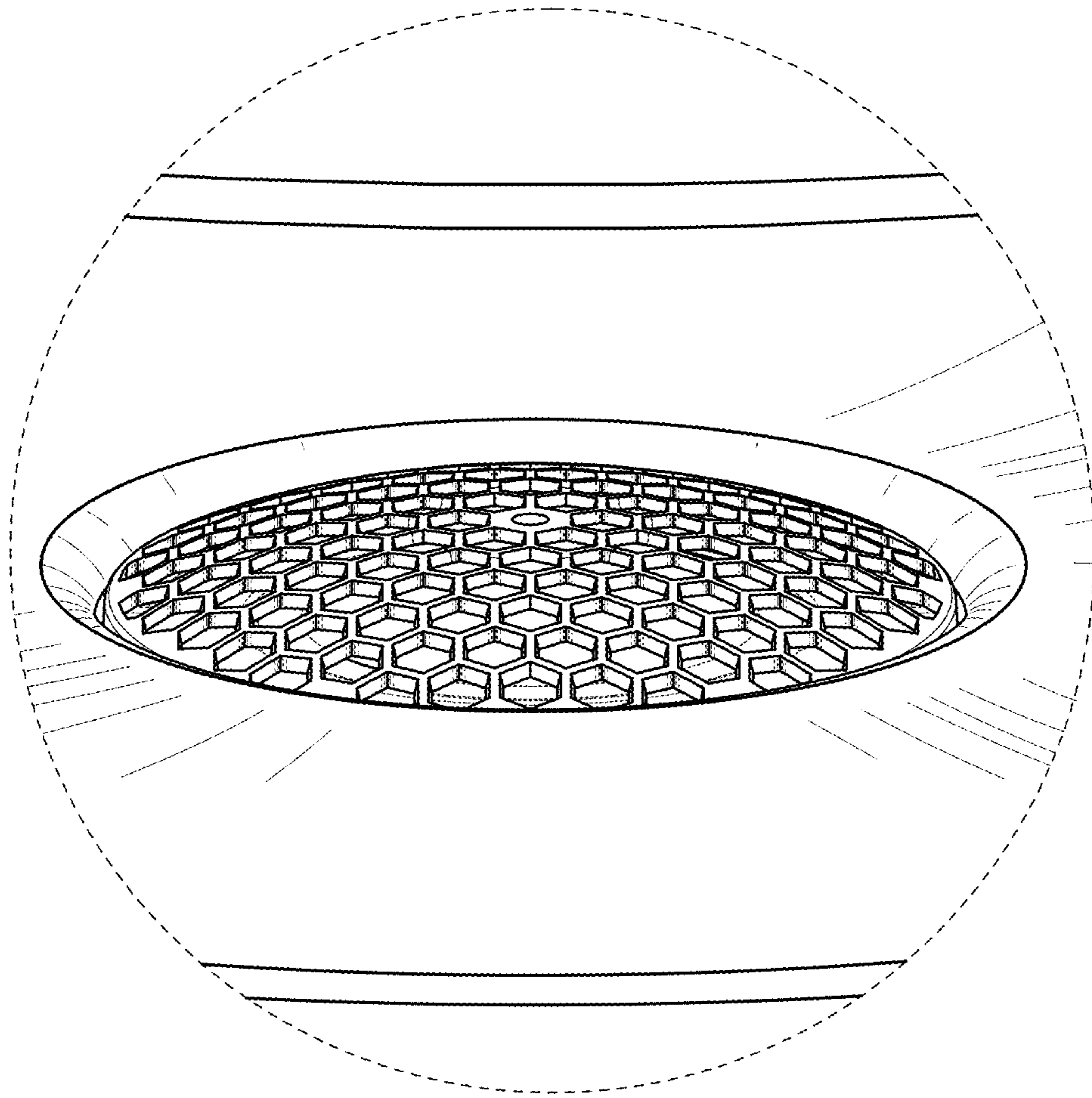


FIG. 9

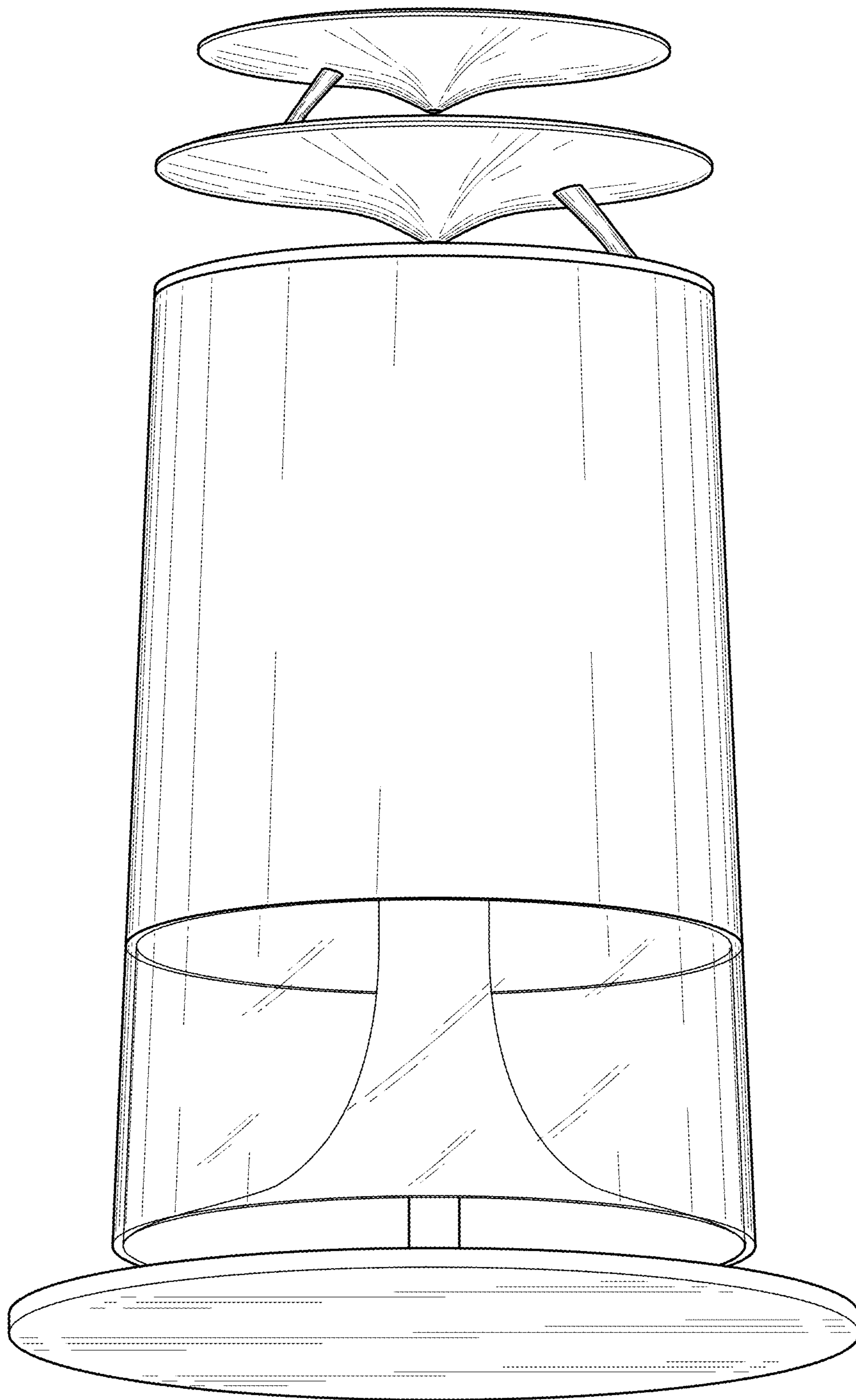


FIG. 10