

US00D896774S

(12) **United States Design Patent**  
**Mikalauskas**

(10) **Patent No.:** **US D896,774 S**

(45) **Date of Patent:** **\*\* Sep. 22, 2020**

(54) **FLAT PANEL SPEAKER**

(71) Applicant: **Amina Technologies Limited**,  
Huntingdon (GB)

(72) Inventor: **Egidijus Mikalauskas**, Huntingdon  
(GB)

(73) Assignee: **Amina Technologies Limited**,  
Huntingdon (GB)

(\*\*) Term: **15 Years**

(21) Appl. No.: **29/621,963**

(22) Filed: **Oct. 12, 2017**

(51) **LOC (12) Cl.** ..... **14-01**

(52) **U.S. Cl.**  
USPC ..... **D14/204**

(58) **Field of Classification Search**  
USPC .... D14/167, 188, 204, 209.1, 210–215, 348,  
D14/352, 498–505; 181/143, 144, 148,  
181/153, 157, 198, 199; 369/6–12;  
381/300–303, 361–364, 366, 386–388  
CPC ..... H04R 1/02; H04R 1/021; H04R 1/023;  
H04R 5/00; H04R 9/06; H04R 2420/07  
See application file for complete search history.

(56) **References Cited**

**U.S. PATENT DOCUMENTS**

D321,196 S \* 10/1991 Yamamoto ..... D14/211  
D449,829 S \* 10/2001 Gustavsson ..... D14/214

D461,790 S \* 8/2002 Takeshi ..... D14/204  
D465,776 S \* 11/2002 Takeshi ..... D14/204  
D477,307 S \* 7/2003 Tierney ..... D14/214  
D561,170 S \* 2/2008 Koike ..... D14/204  
D659,121 S \* 5/2012 Chen ..... D14/215  
D716,263 S \* 10/2014 Lewis ..... D14/215

\* cited by examiner

*Primary Examiner* — Janice Patyk

(74) *Attorney, Agent, or Firm* — Banner & Witcoff, Ltd.

(57) **CLAIM**

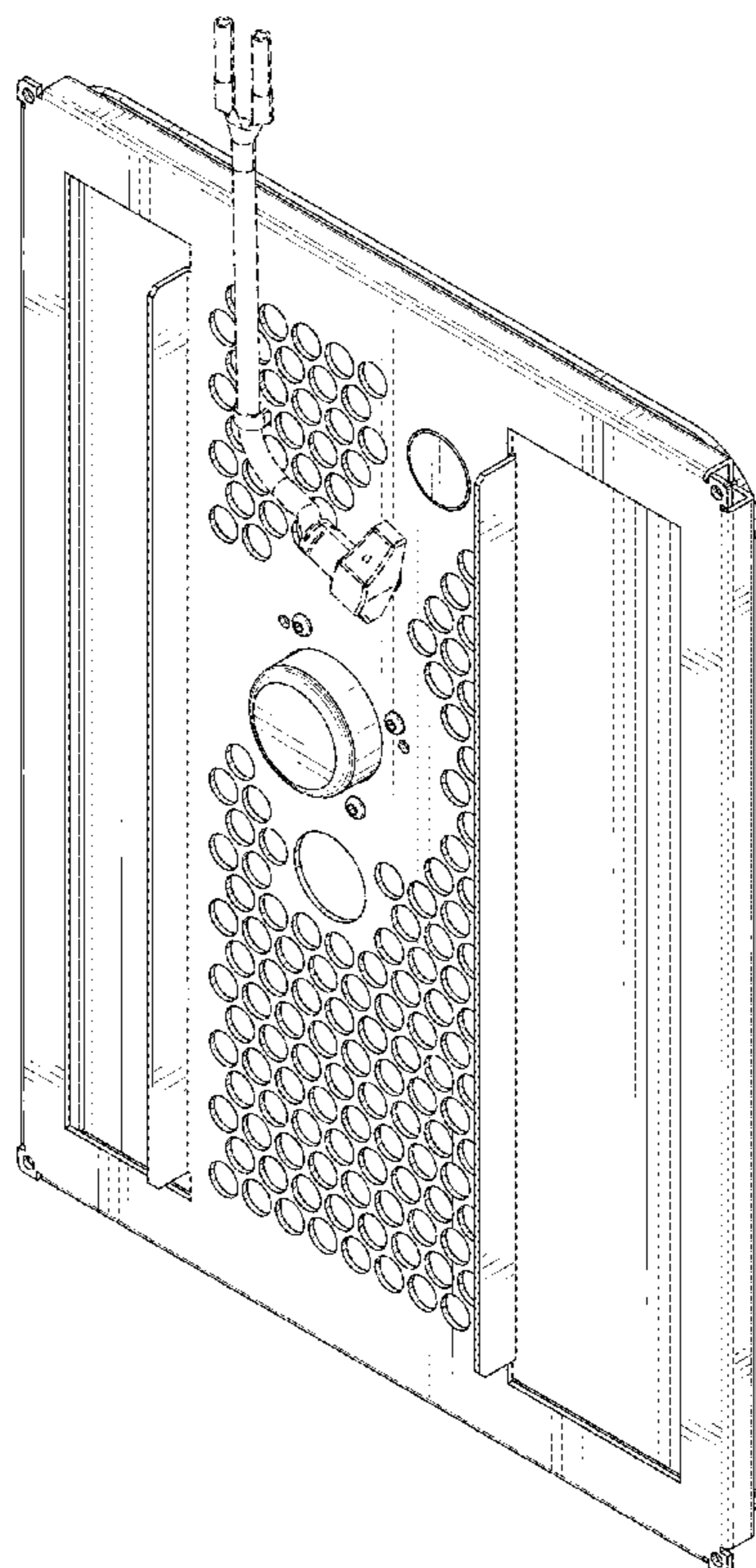
The ornamental design for a flat panel speaker, as shown and described.

**DESCRIPTION**

FIG. 1 is a rear view of a flat panel speaker showing my new design;  
FIG. 2 is a bottom view thereof;  
FIG. 3 is a front view thereof;  
FIG. 4 is a left side view thereof,  
FIG. 5 is a first rear perspective view thereof;  
FIG. 6 is a second rear perspective view thereof;  
FIG. 7 is a right side view; and,  
FIG. 8 is a top view thereof.

The broken lines in the figures illustrate the portions of the design that form no part of the claimed design.

**1 Claim, 8 Drawing Sheets**



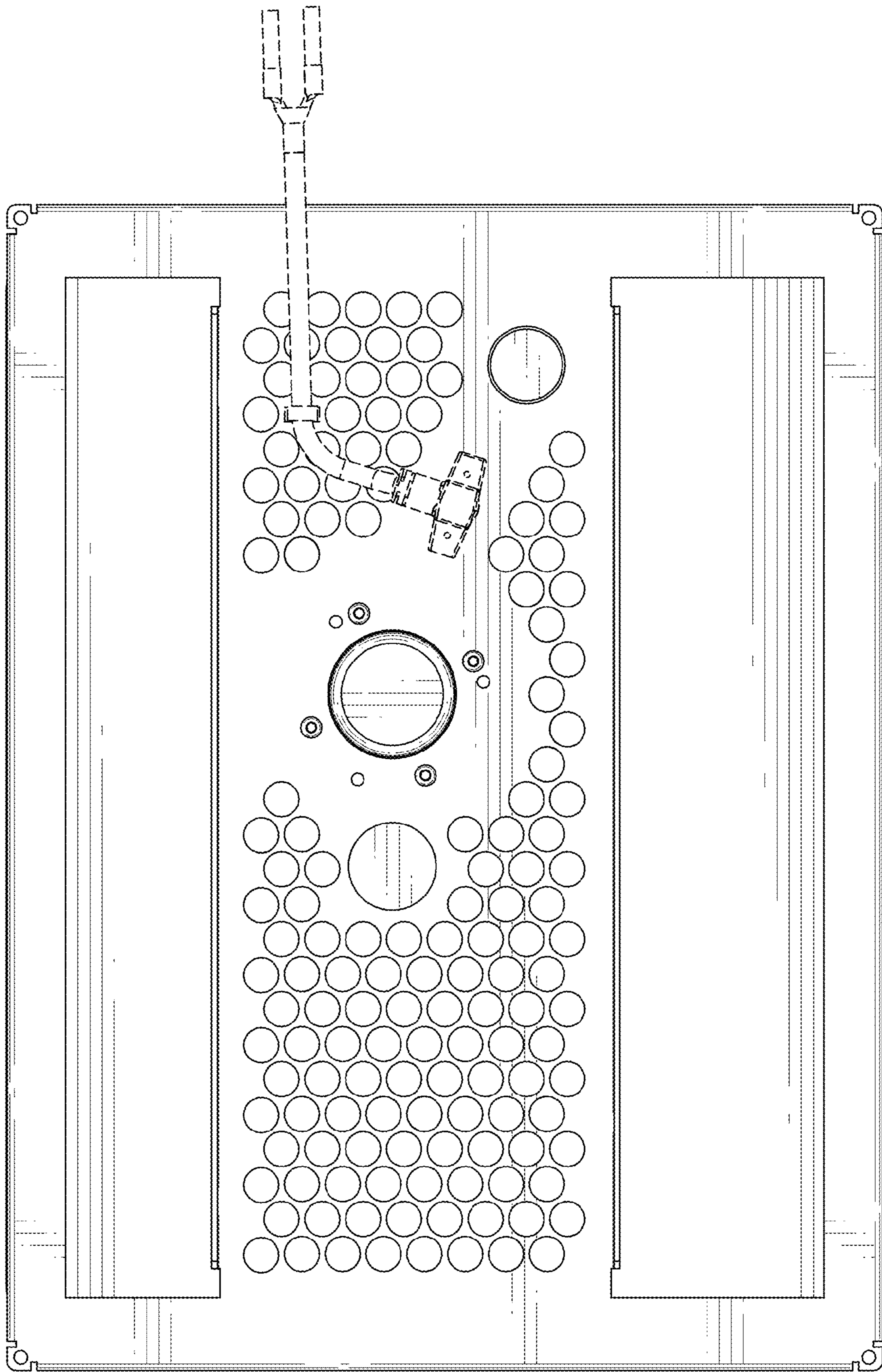
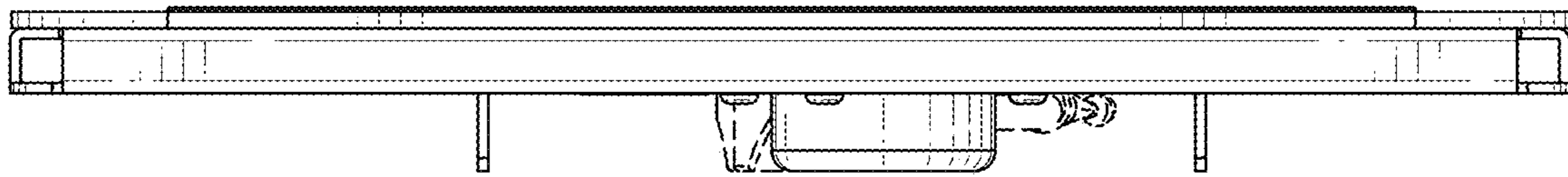


FIG. 1



*FIG. 2*

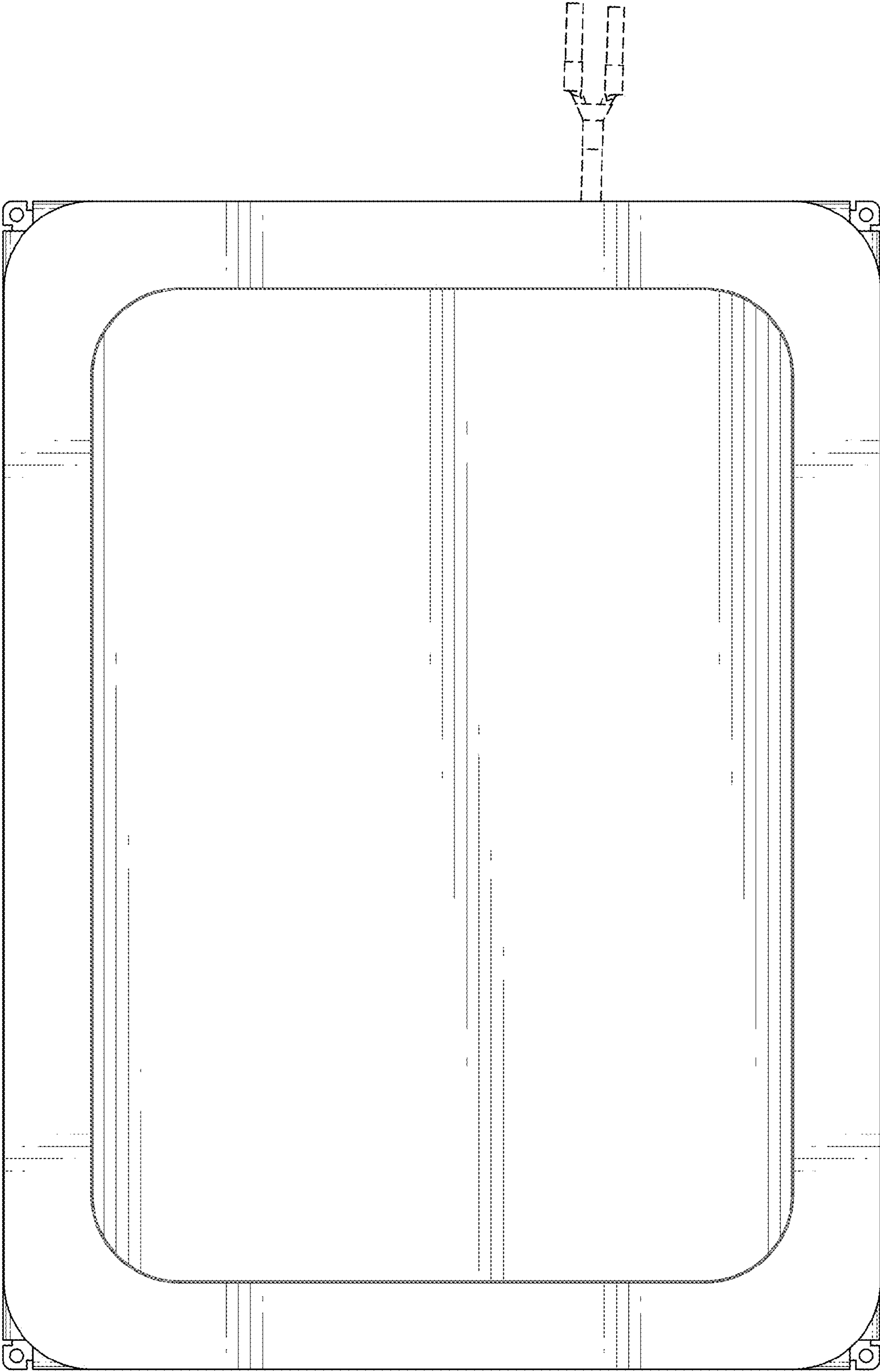
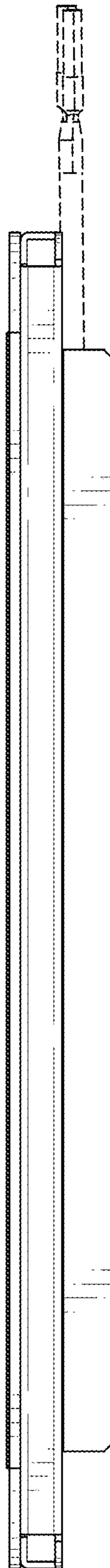


FIG. 3



*FIG. 4*



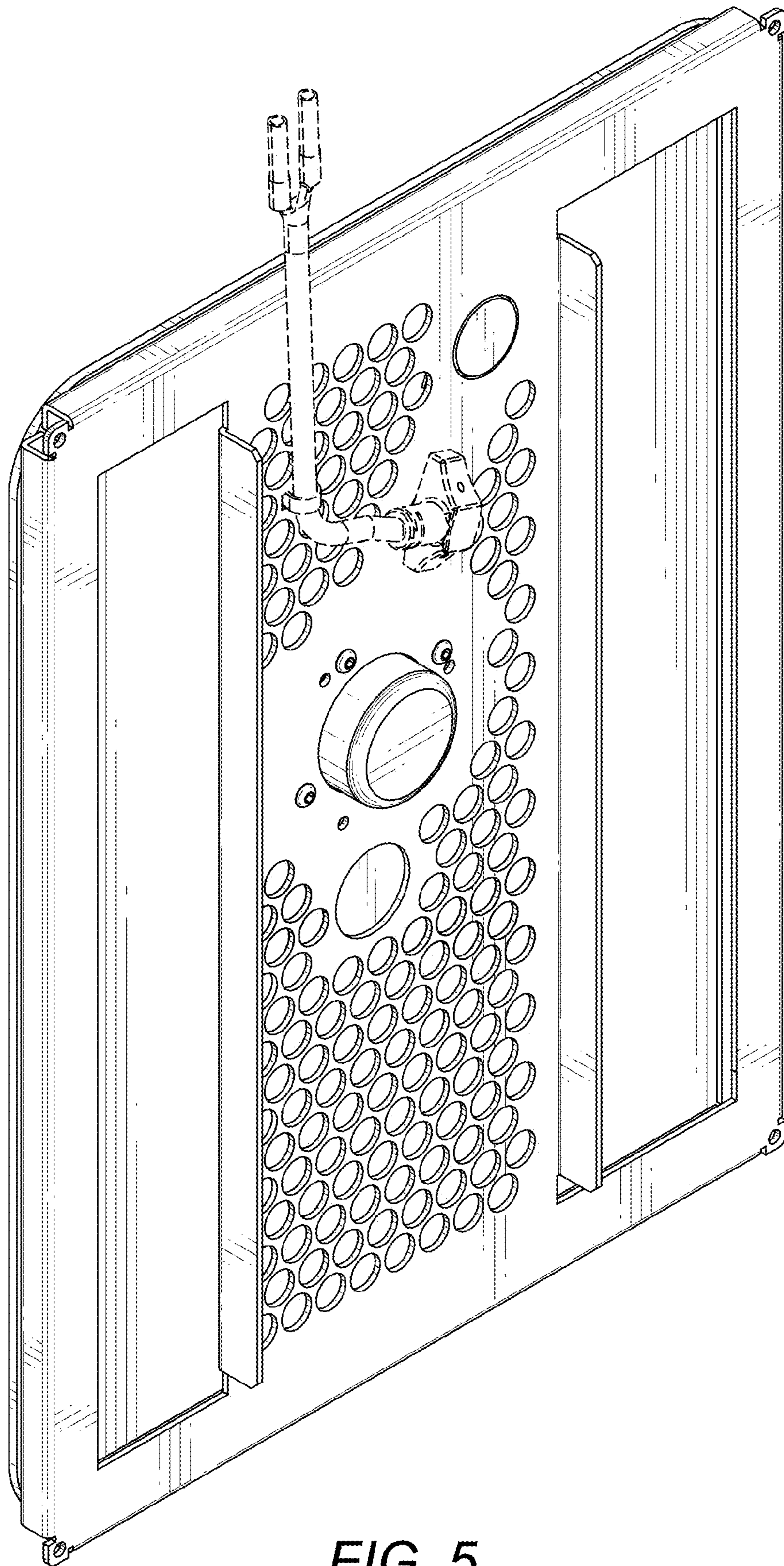


FIG. 5

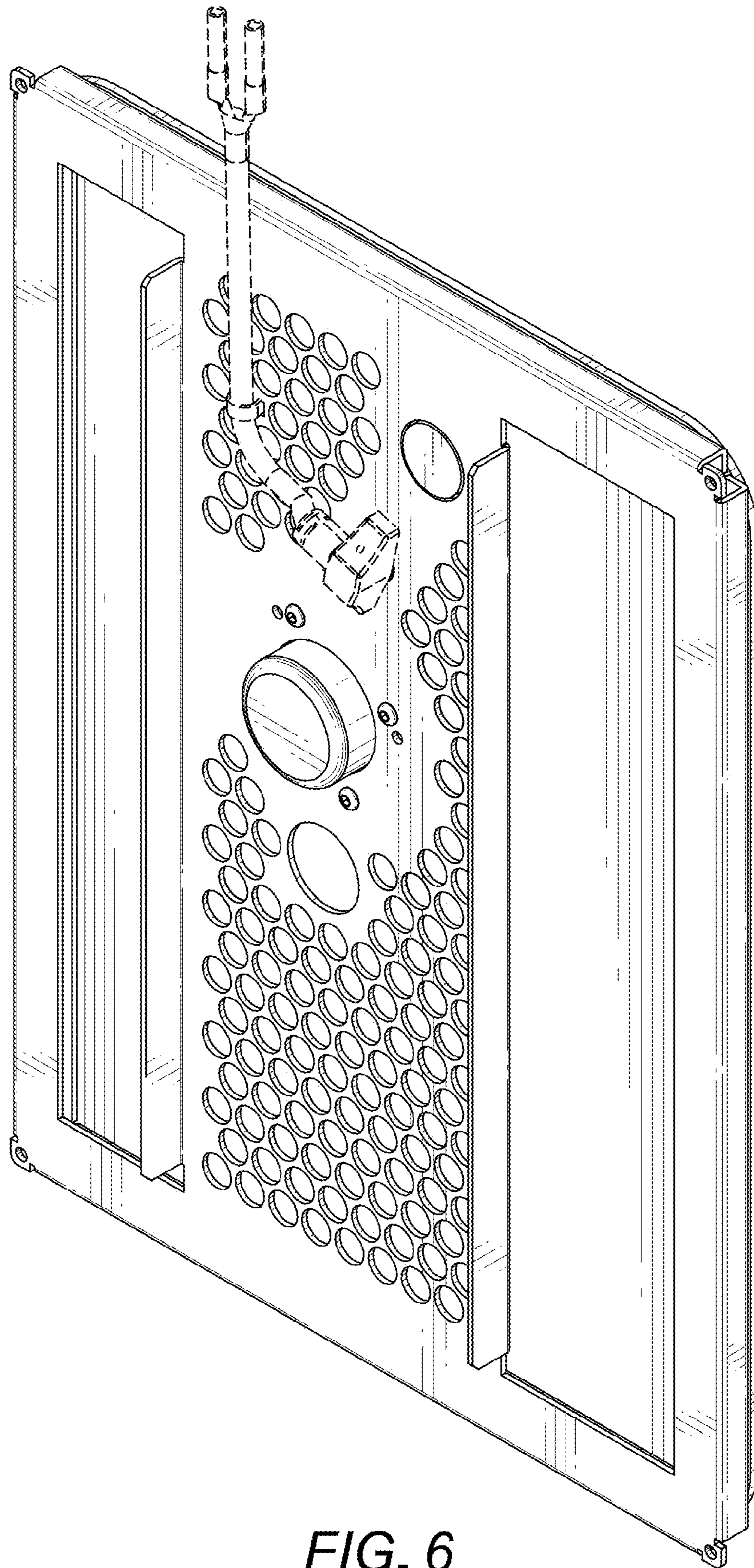
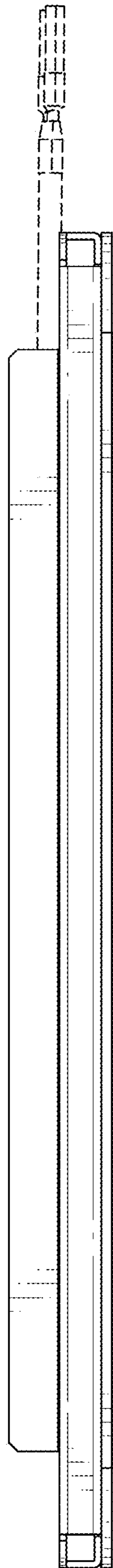
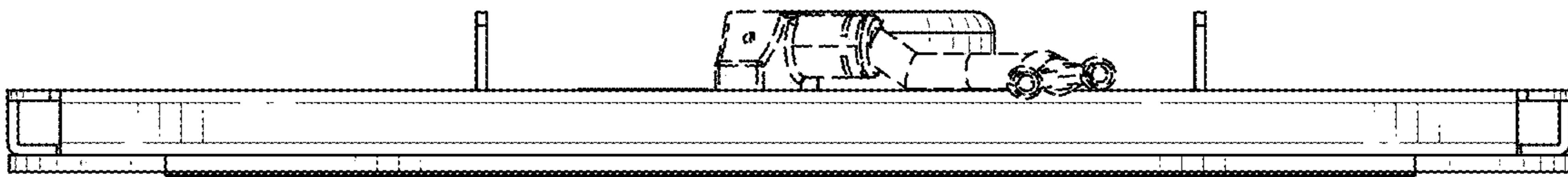


FIG. 6



*FIG. 7*





*FIG. 8*