

US00D896772S

(12) **United States Design Patent** (10) **Patent No.:** **US D896,772 S**
Iijima et al. (45) **Date of Patent:** **** Sep. 22, 2020**

(54) **AUDIO RECORDING / REPRODUCING DEVICE**

(71) Applicant: **ZOOM CORPORATION**, Tokyo (JP)

(72) Inventors: **Masahiro Iijima**, Tokyo (JP); **Satoshi Kan**, Tokyo (JP)

(73) Assignee: **ZOOM CORPORATION**, Tokyo (JP)

(**) Term: **15 Years**

(21) Appl. No.: **29/629,400**

(22) Filed: **Dec. 13, 2017**

(30) **Foreign Application Priority Data**

Sep. 8, 2017 (JP) 2017-019515

(51) **LOC (12) Cl.** **14-01**

(52) **U.S. Cl.**
USPC **D14/167**

(58) **Field of Classification Search**
USPC D14/137, 154–155, 158, 160–165, 167, D14/168, 172, 186, 188, 203.1–203.7, D14/217, 218, 225–229, 341, 496, 497, D14/507; D10/104.1; D23/366, 370, D23/379, 381, 382
CPC . G06F 3/16; G06F 3/162; G06F 3/165; G06F 3/167; H04R 1/08; H04R 1/083; H04B 1/3827; H04B 1/3833
See application file for complete search history.

(56) **References Cited**

U.S. PATENT DOCUMENTS

- D430,130 S * 8/2000 Lytel D14/147
- 6,155,782 A * 12/2000 Hsu F04D 25/084
- 415/126
- D468,297 S * 1/2003 Ikeda D14/497
- D471,180 S * 3/2003 Satoh D14/497
- D483,028 S * 12/2003 Morrow, Jr. D14/225
- D492,945 S * 7/2004 Ng D14/497
- D542,262 S * 5/2007 Oka D14/167

- D544,636 S * 6/2007 McMinn D26/118
- D579,099 S * 10/2008 Brown D23/382
- D751,533 S * 3/2016 Godfrey D14/228
- D758,997 S * 6/2016 Miller D14/225
- D760,204 S * 6/2016 Wise D14/227

(Continued)

OTHER PUBLICATIONS

Zoom H1n 2-Input / 2-Track Portable Handy Recorder with Onboard X/Y Microphone, online, no post date, URL: https://www.bhphotovideo.com/c/product/1387916-REG/zoom_zh1ng_zoom_h1n_digital_handy.html, retrieved Sep. 27, 2019.*

Primary Examiner — Jeffrey D Asch
Assistant Examiner — Rebekah A Caruso

(74) *Attorney, Agent, or Firm* — Westman, Champlin & Koehler, P.A.

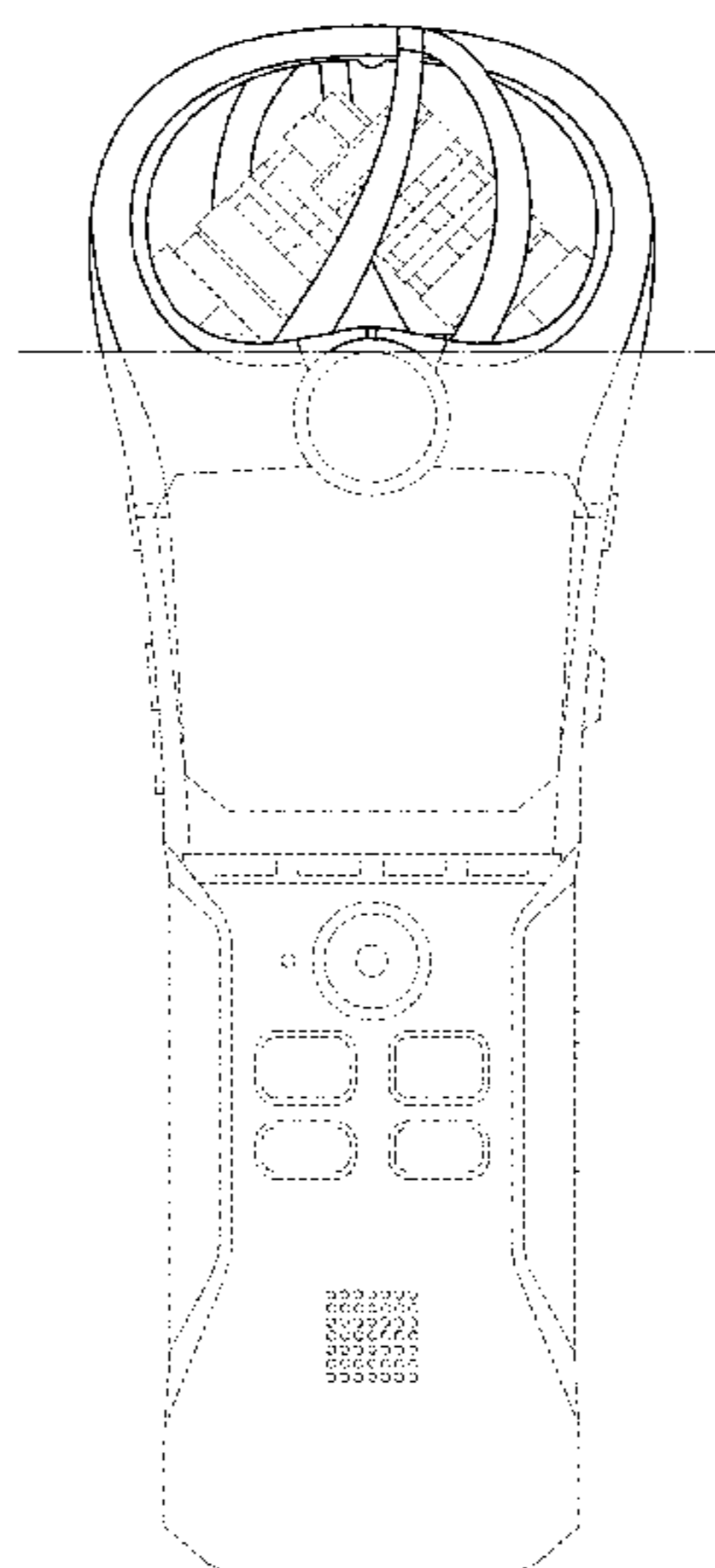
(57) **CLAIM**

The ornamental design for an audio recording/reproducing device, as shown and described.

DESCRIPTION

FIG. 1 is a front elevational view of the audio recording/reproducing device.
FIG. 2 is a rear elevational view of the audio recording/reproducing device.
FIG. 3 is a right side view of the audio recording/reproducing device.
FIG. 4 is a left side view of the audio recording/reproducing device.
FIG. 5 is a top plan view of the audio recording/reproducing device; and,
FIG. 6 is a bottom view of the audio recording/reproducing device.
In the drawings, the dash-dot-dash broken lines depict claim boundaries and form no part of the claim; the evenly spaced broken lines illustrate portions of the article that form no part of the claimed design.

1 Claim, 6 Drawing Sheets



(56)

References Cited

U.S. PATENT DOCUMENTS

D771,022	S	*	11/2016	Miller	D14/225
D818,995	S	*	5/2018	Cho	D14/228
D829,195	S	*	9/2018	Cho	D14/228
D835,772	S	*	12/2018	Wei	D23/366
2011/0057551	A1	*	3/2011	Lee	F21V 29/74
						313/46
2012/0195749	A1	*	8/2012	Avedon	F04D 25/088
						415/211.2

* cited by examiner

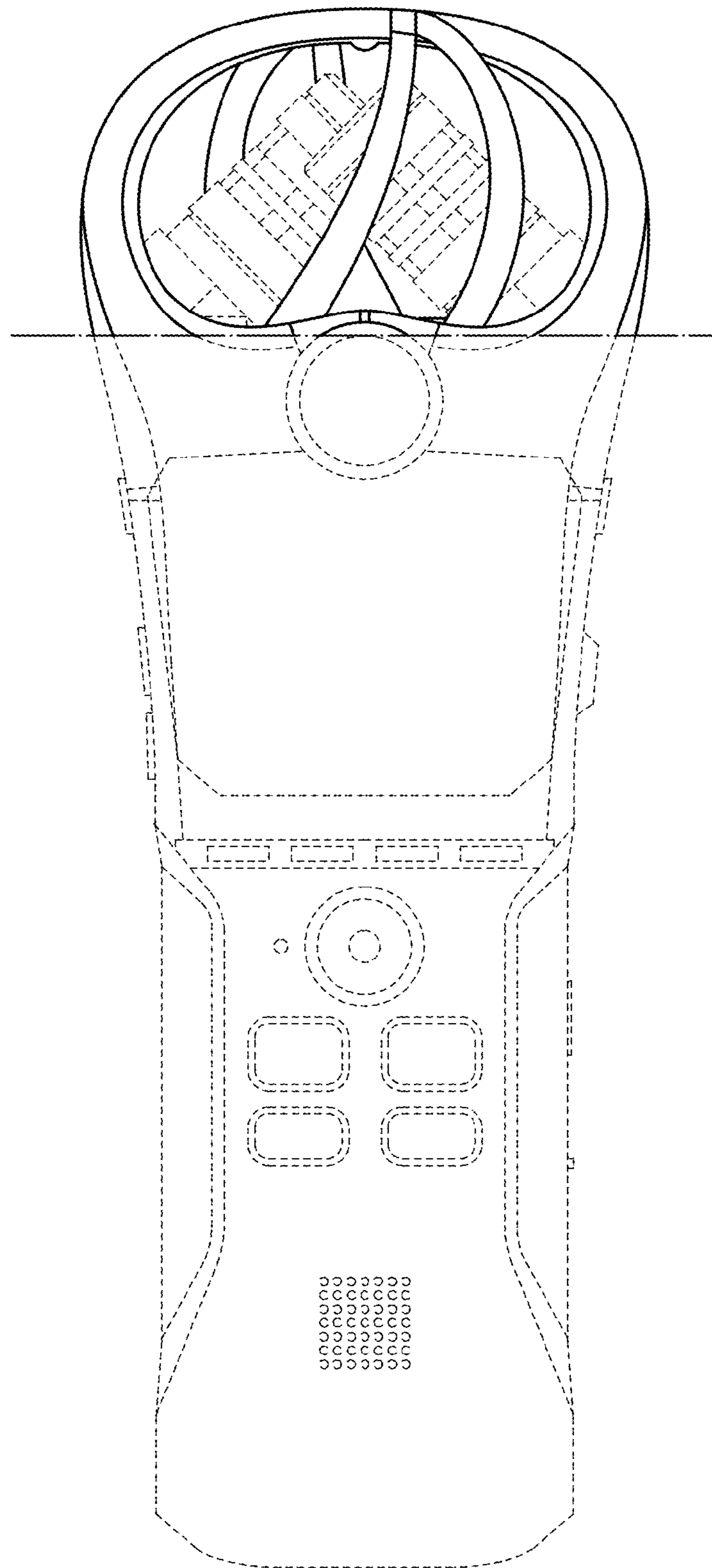


FIG. 1

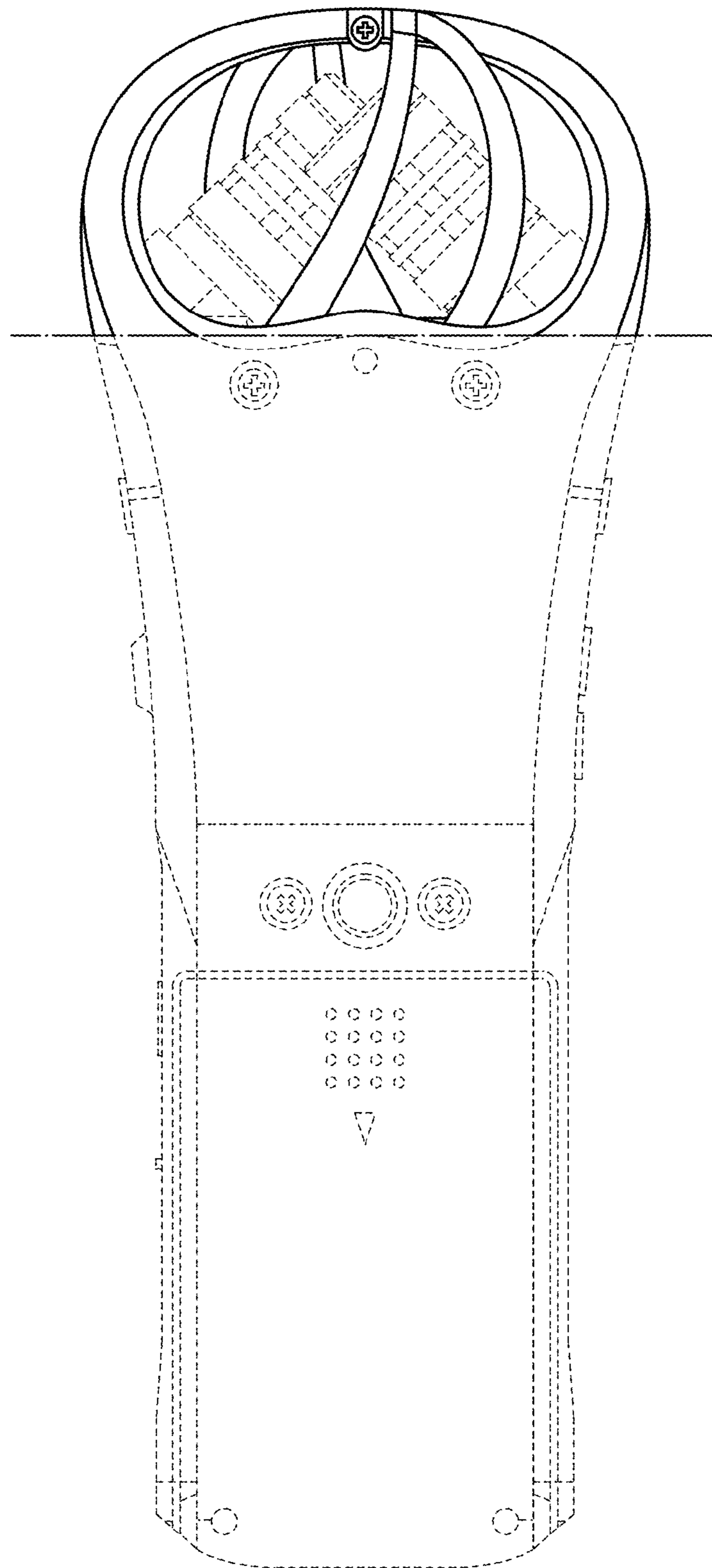


FIG. 2

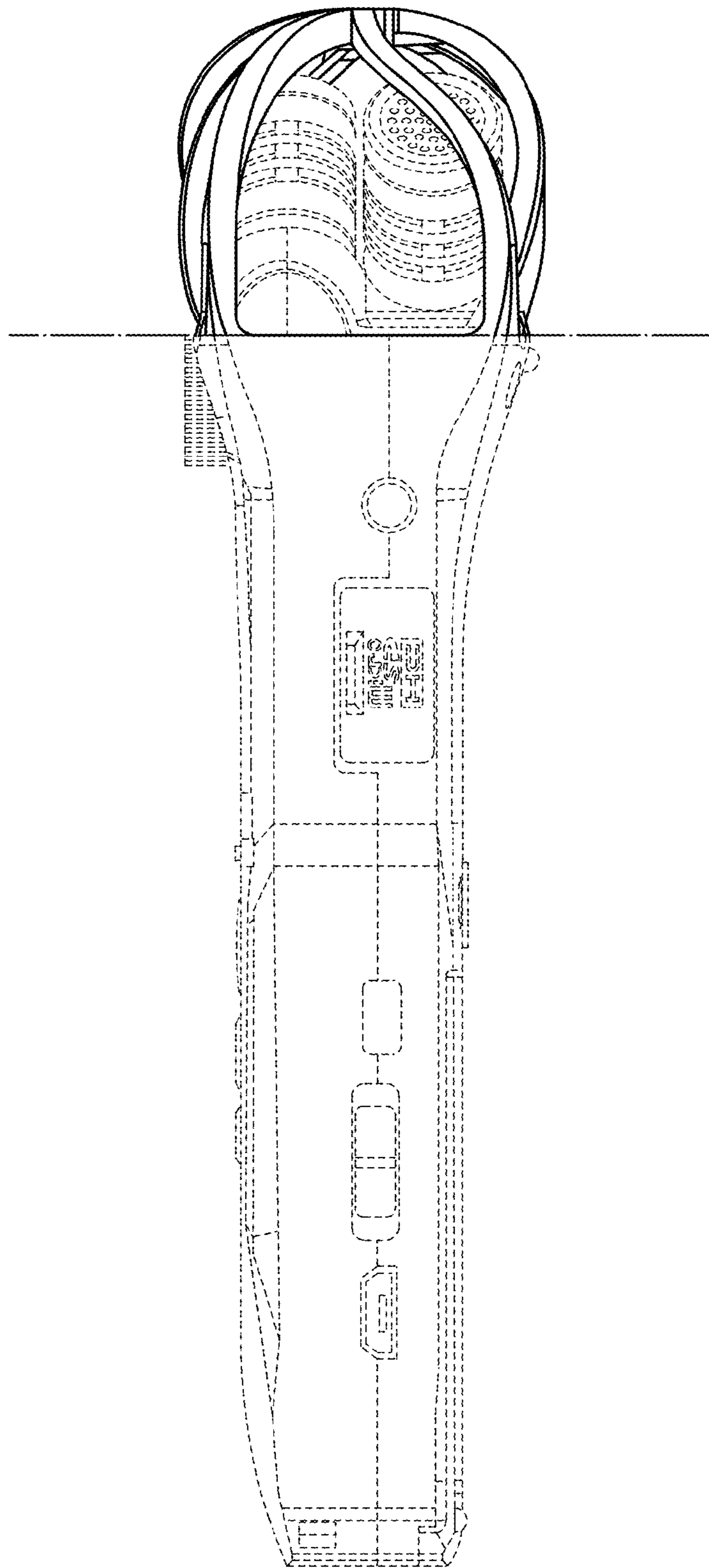


FIG. 3

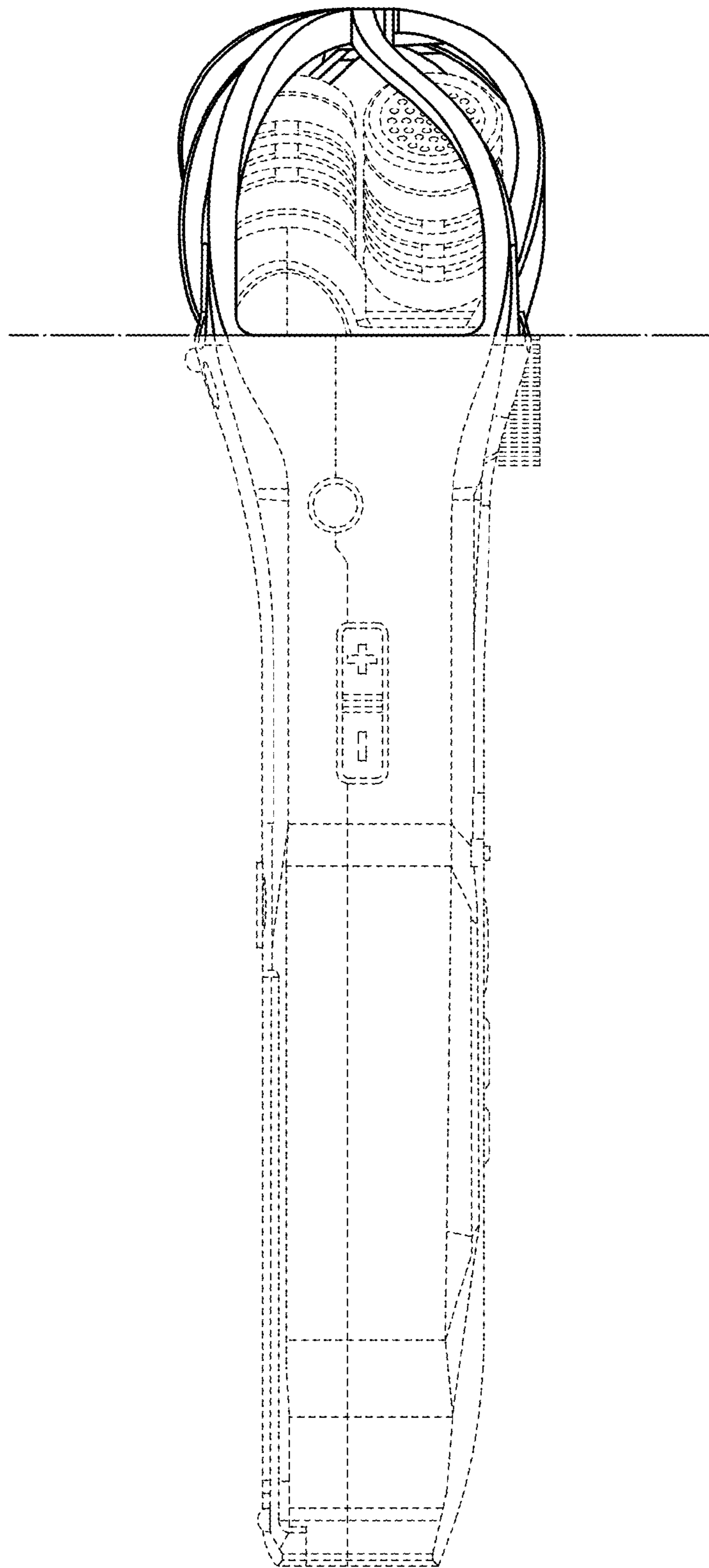


FIG. 4

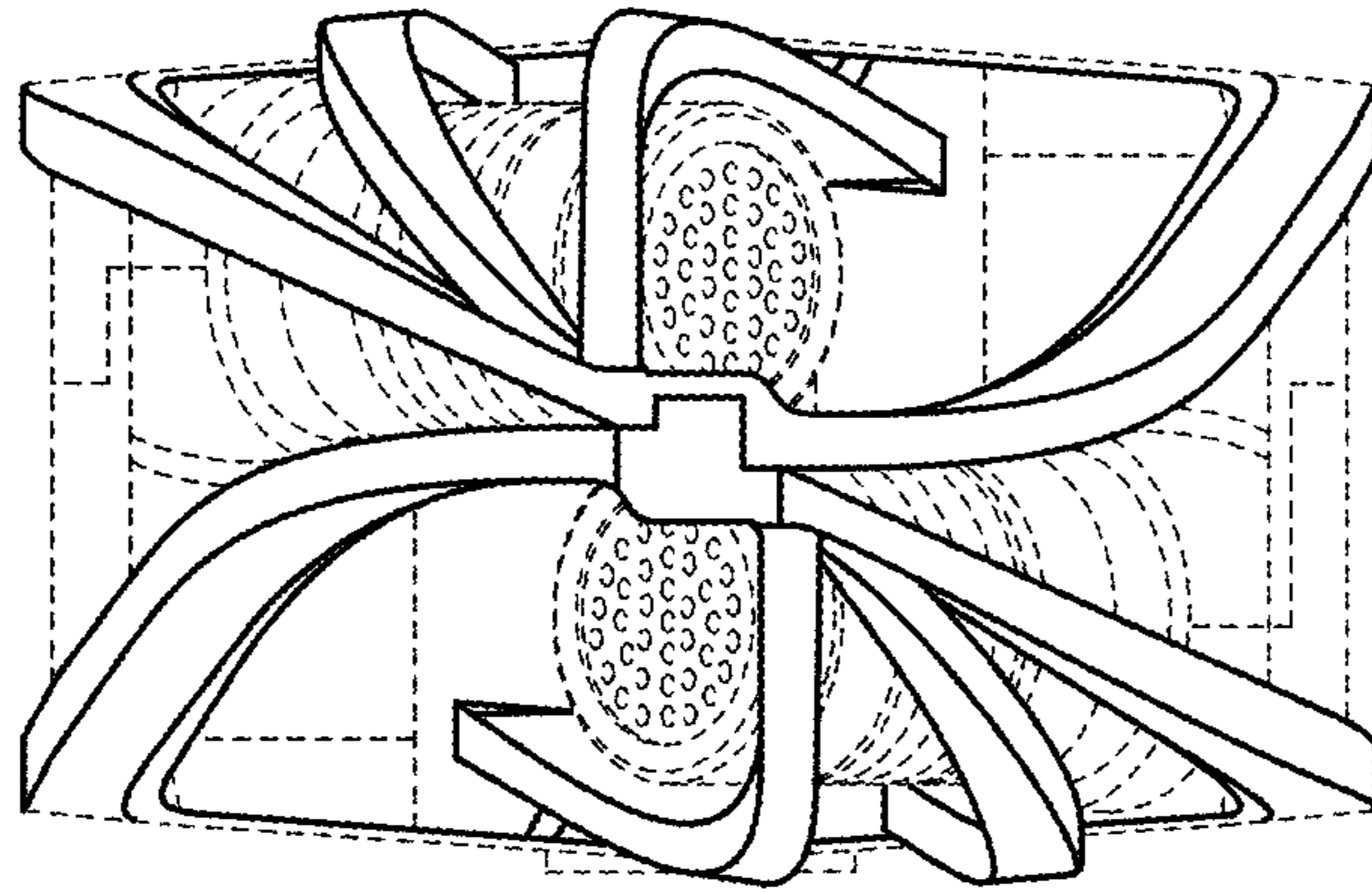


FIG. 5

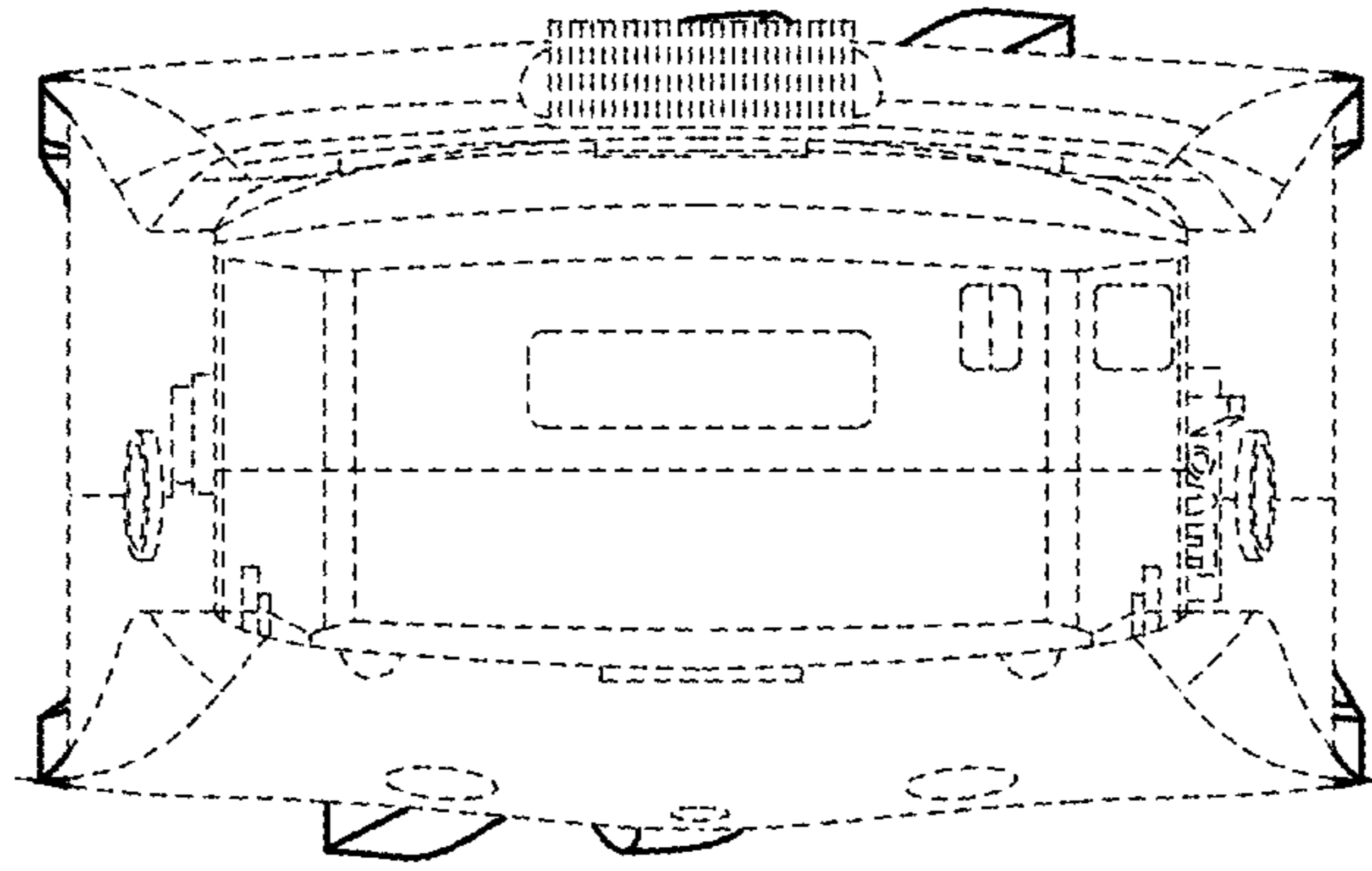


FIG. 6