



US00D896765S

(12) **United States Design Patent**
Schmelling

(10) **Patent No.:** **US D896,765 S**

(45) **Date of Patent:** **** Sep. 22, 2020**

(54) **CONTROL BOX**

(71) Applicant: **LINAK A/S**, Nordborg (DK)

(72) Inventor: **Steffen Schmelling**, København N (DK)

(73) Assignee: **LINAK A/S**, Nordborg (DK)

(**) Term: **15 Years**

(21) Appl. No.: **29/690,497**

(22) Filed: **May 8, 2019**

(30) **Foreign Application Priority Data**

Apr. 24, 2019 (DK) DA 2019 00033

(51) **LOC (12) Cl.** **13-03**

(52) **U.S. Cl.**
USPC **D13/162**

(58) **Field of Classification Search**
USPC ... D13/110, 123, 147, 162, 162.1, 164, 184;
D15/143, 148

CPC A47C 7/506; H01R 13/514; H01R 13/639;
H05K 5/00; H05K 5/0004; H05K 5/0021;
H05K 5/0026; H05K 5/03; H05K 5/04;
H05K 5/06; H05K 7/1462; H05K 7/1472
See application file for complete search history.

(56) **References Cited**

U.S. PATENT DOCUMENTS

- D552,039 S * 10/2007 Liao D13/162
- D660,798 S * 5/2012 Tseng D13/110
- 8,885,352 B2 * 11/2014 Tseng H05K 7/1432
361/752
- D719,533 S * 12/2014 Lin D13/162
- D721,658 S * 1/2015 Lin D13/162
- 9,070,957 B2 * 6/2015 Wu H01M 10/4257
- 9,341,248 B2 * 5/2016 Wu F16C 29/005
- D792,356 S * 7/2017 Lin D13/162

- 9,989,133 B2 * 6/2018 Wu F16H 57/039
- D869,403 S * 12/2019 Shen D13/162
- D875,044 S * 2/2020 Chen D13/110

OTHER PUBLICATIONS

Data Sheet for DewertOkin—Accucontrol 4.5 Control Unit (5 pgs.)
retrieved from <https://web.archive.org/web/20170709212838/https://www.dewertokin.com/products/medical/control-units/accucontrol-45/> (Wayback Machine) with date of Jul. 9, 2017.

Data Sheet for LINAK Actuator Control Boxes (3 pgs.) retrieved
from <https://web.archive.org/web/20170928205346/http://www.linak-us.com/products/control-boxes.aspx> (Wayback Machine), with date
of Sep. 28, 2017.

Data Sheet for TiMotion TC 12 Series (7 pgs.) https://www.timotion.com/_upload/files/datasheet_tc12-g_en.pdf, with date of Apr. 20,
2017.

* cited by examiner

Primary Examiner — Selina Sikder

(74) *Attorney, Agent, or Firm* — Dykema Gossett PLLC

(57) **CLAIM**

The ornamental design for a control box, as shown and
described.

DESCRIPTION

FIG. 1 is a front perspective view of the control box seen
from the top;

FIG. 2 is a rear perspective view seen from the bottom
thereof;

FIG. 3 is a front elevation view thereof;

FIG. 4 is rear elevation view thereof;

FIG. 5 is a left side elevation view thereof;

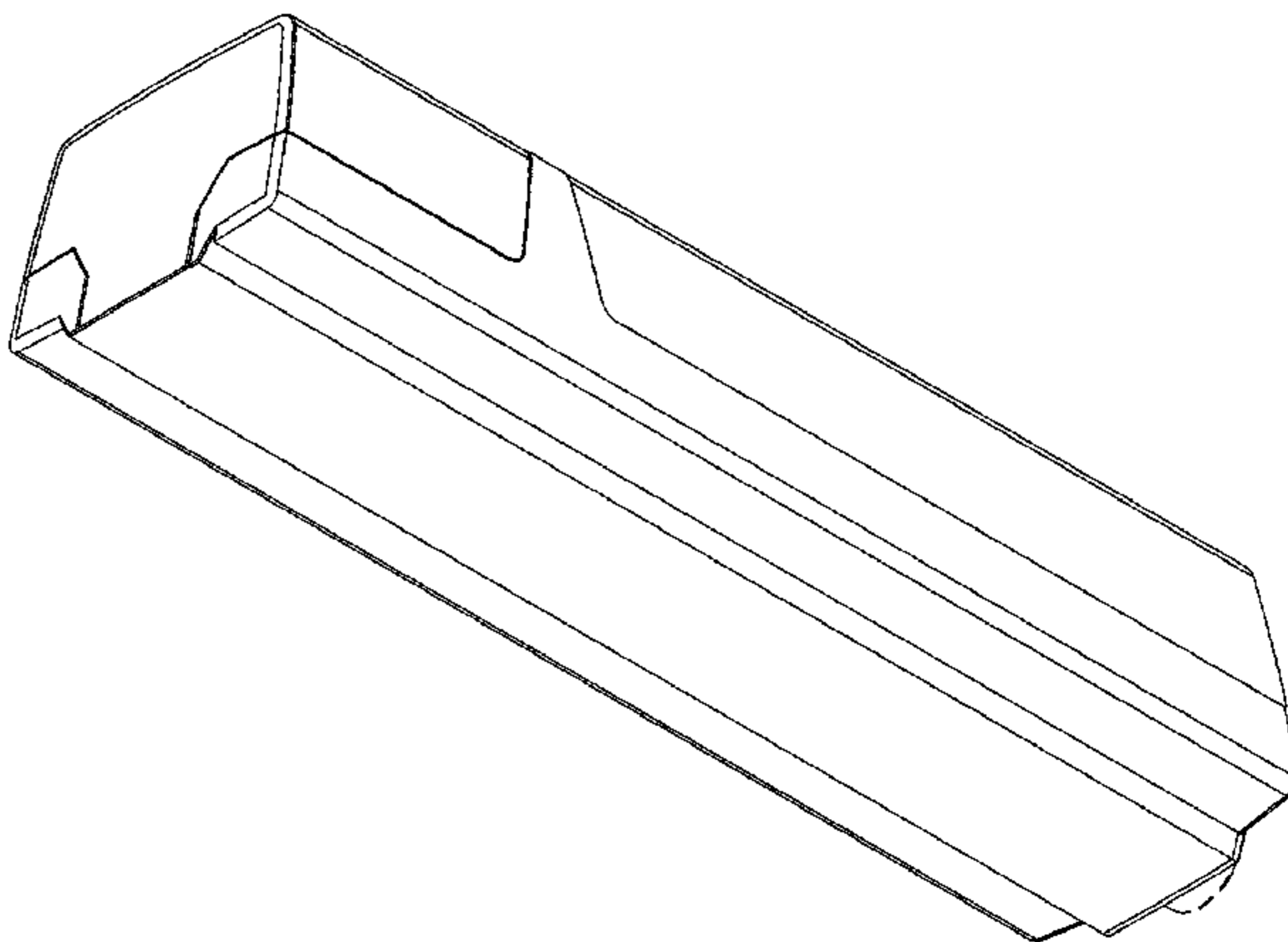
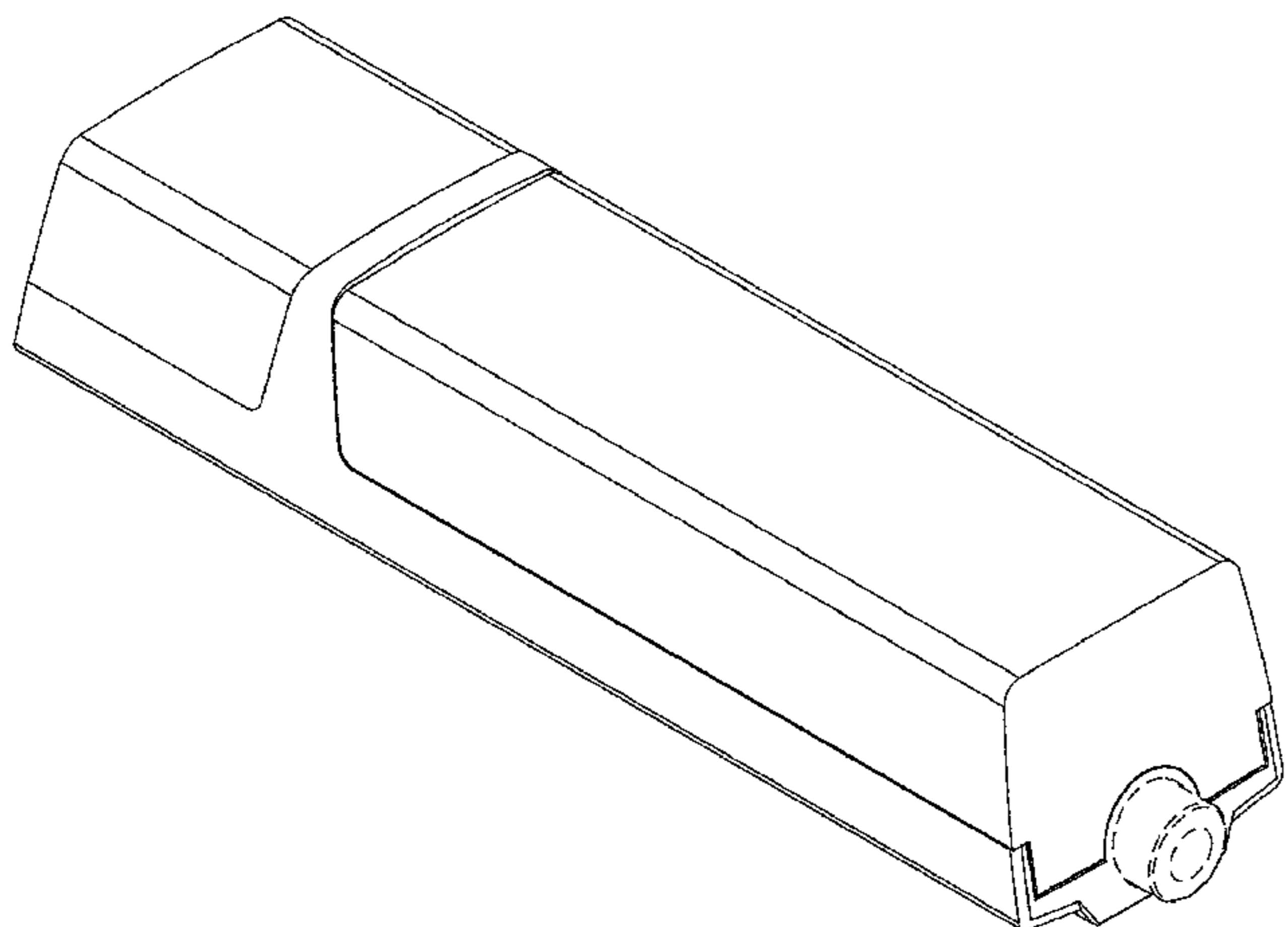
FIG. 6 right side elevation view thereof;

FIG. 7 is a top plan view thereof; and,

FIG. 8 is a bottom plan view thereof.

The broken lines in the drawing depict portions of the
control box that form no part of the claimed design.

1 Claim, 8 Drawing Sheets



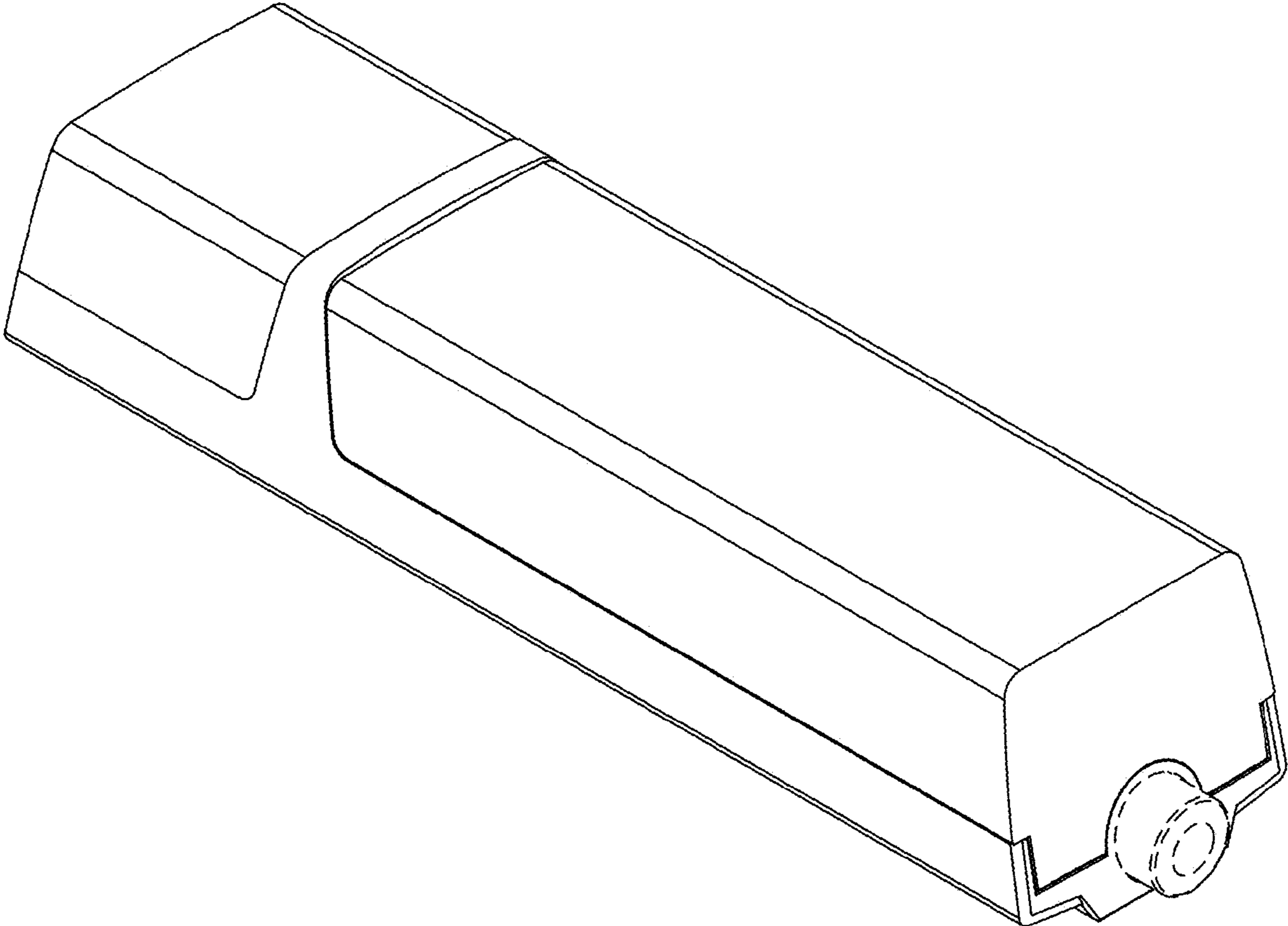


Fig. 1

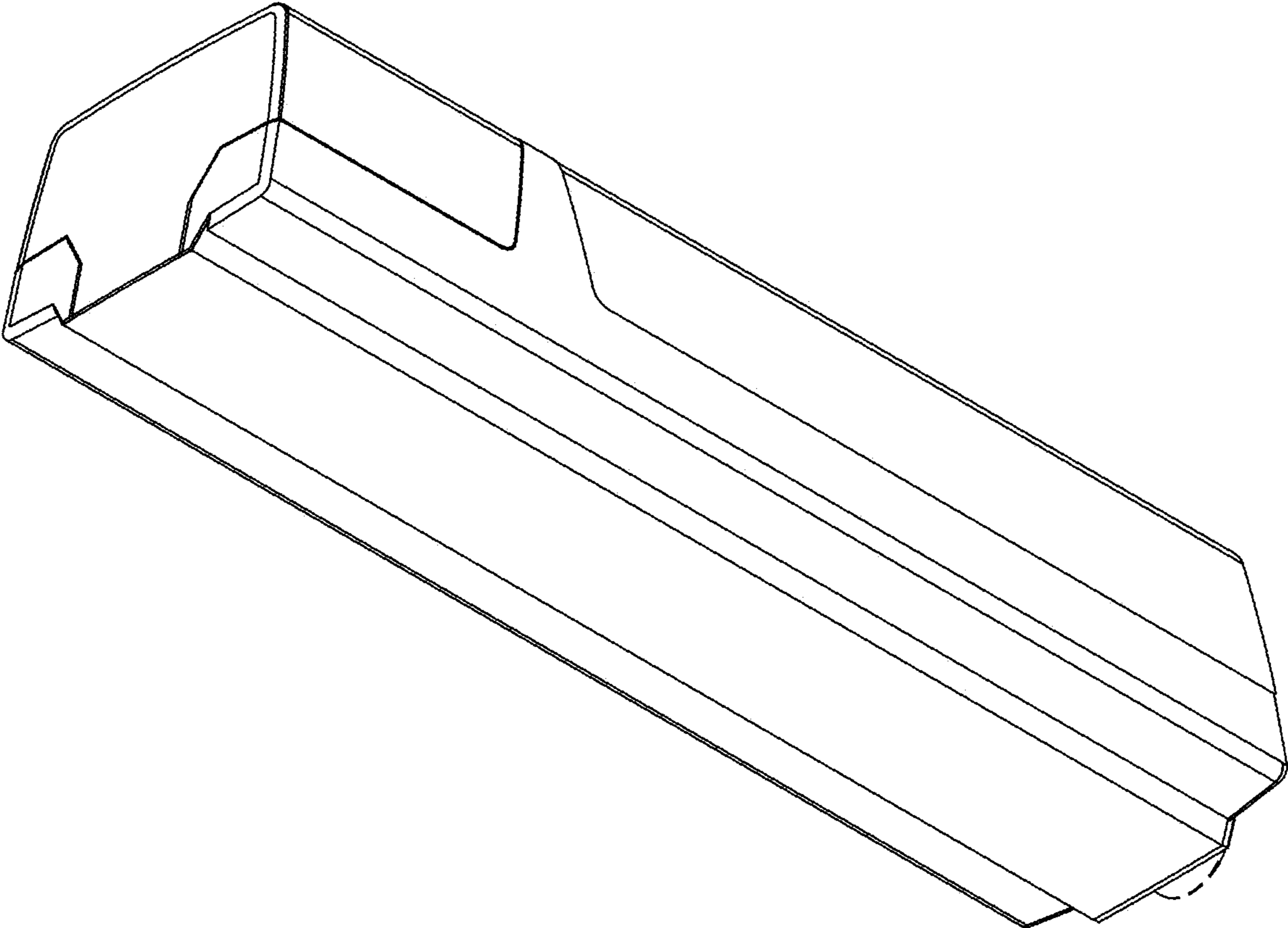


Fig. 2

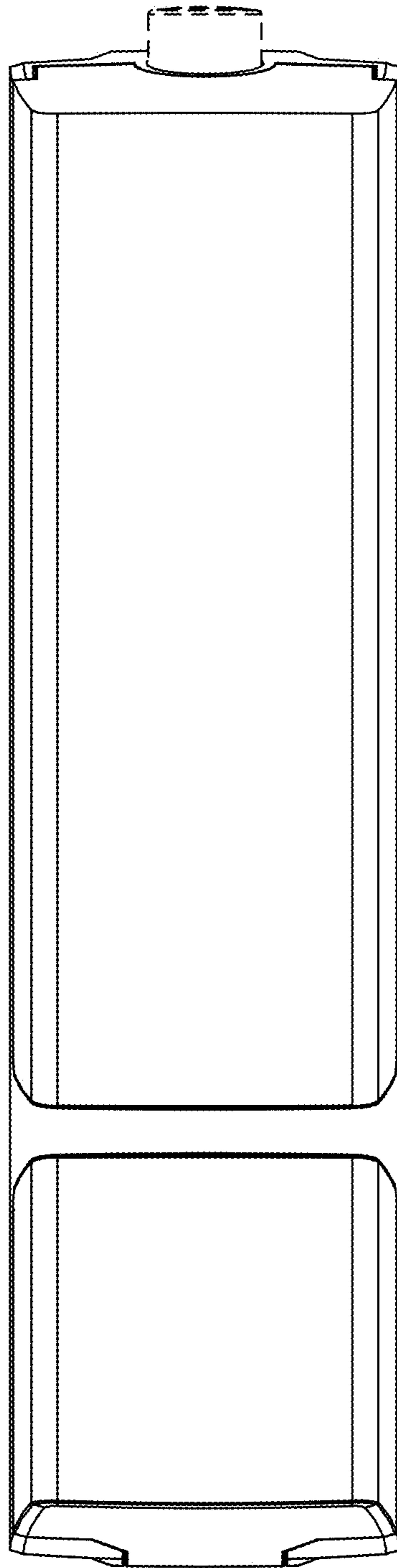


Fig. 3

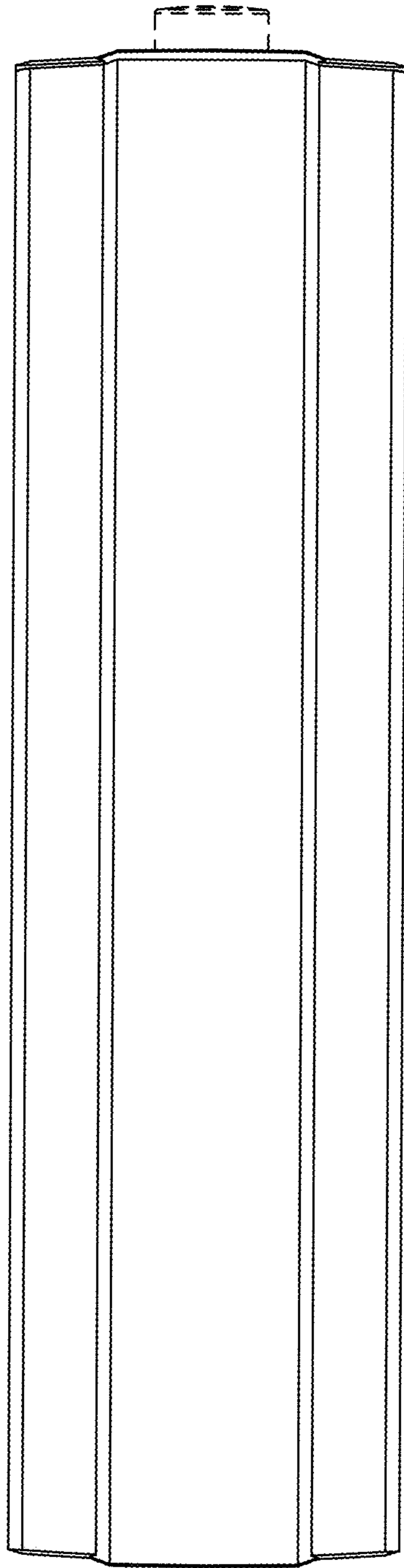


Fig. 4

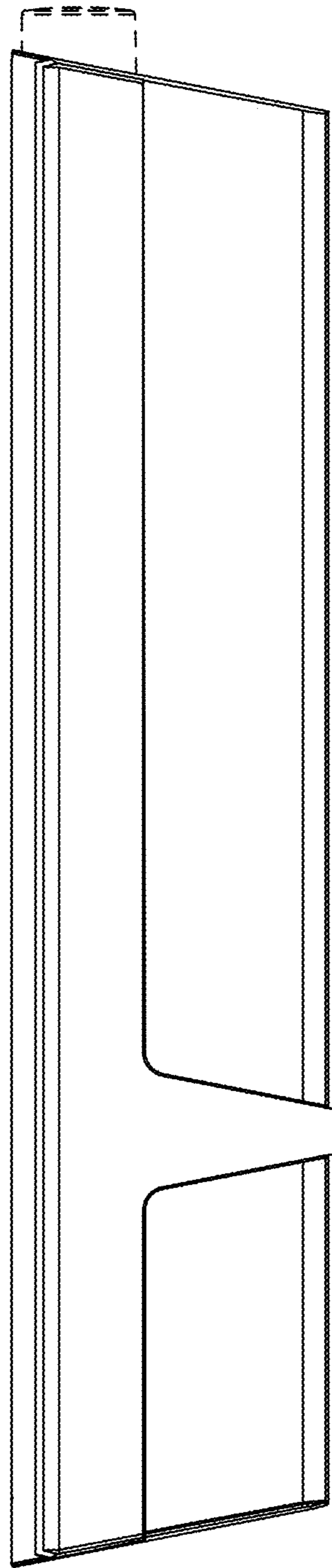


Fig. 5

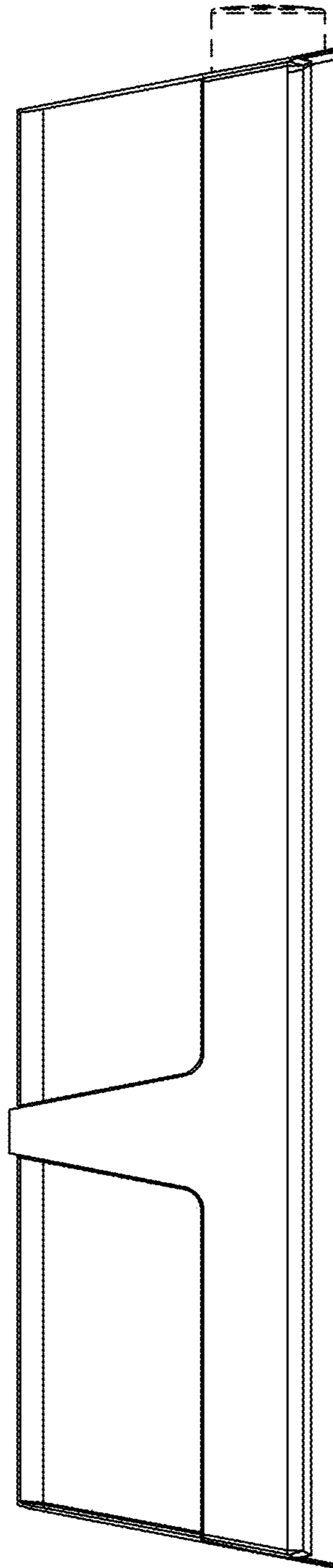


Fig. 6

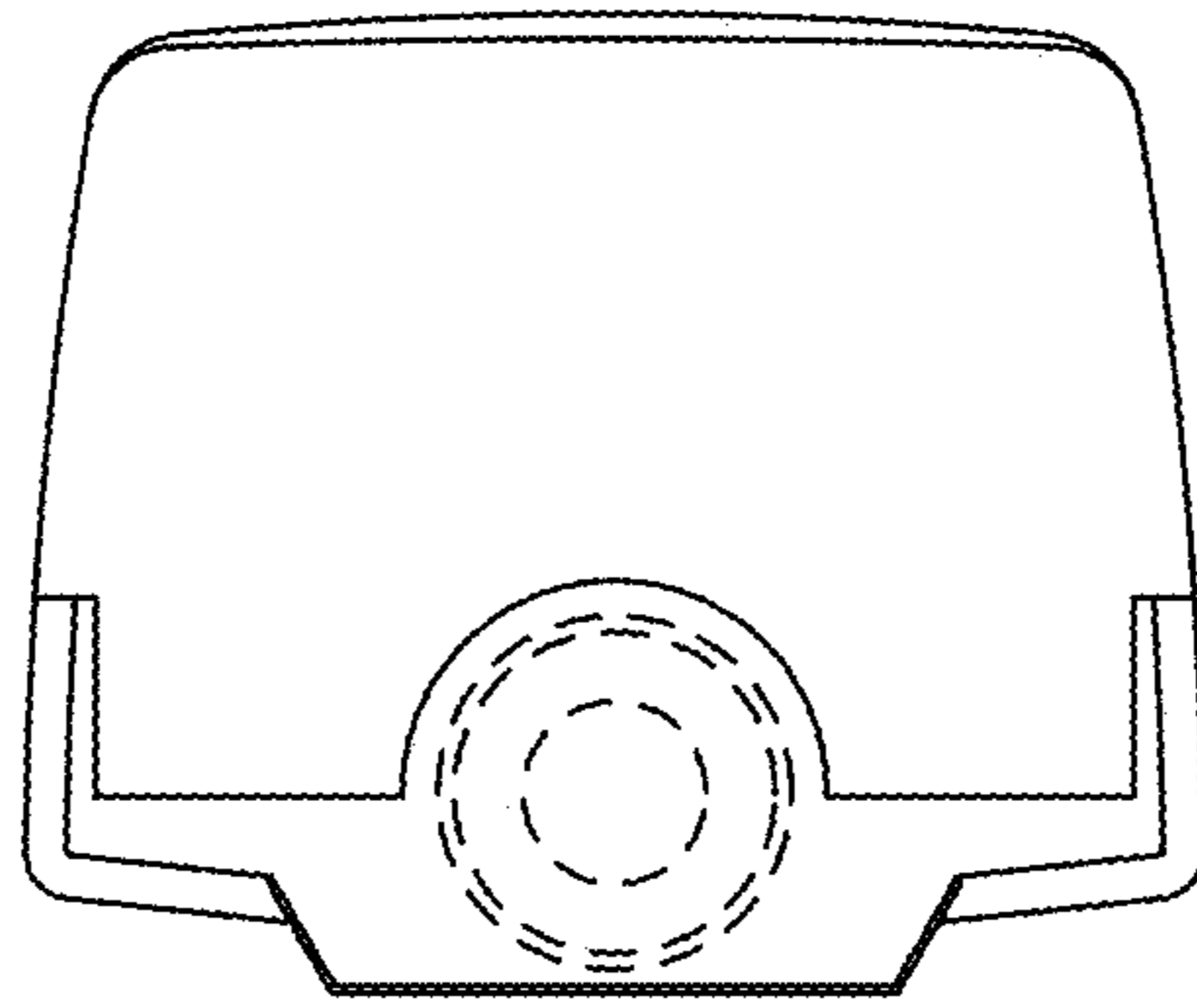


Fig. 7

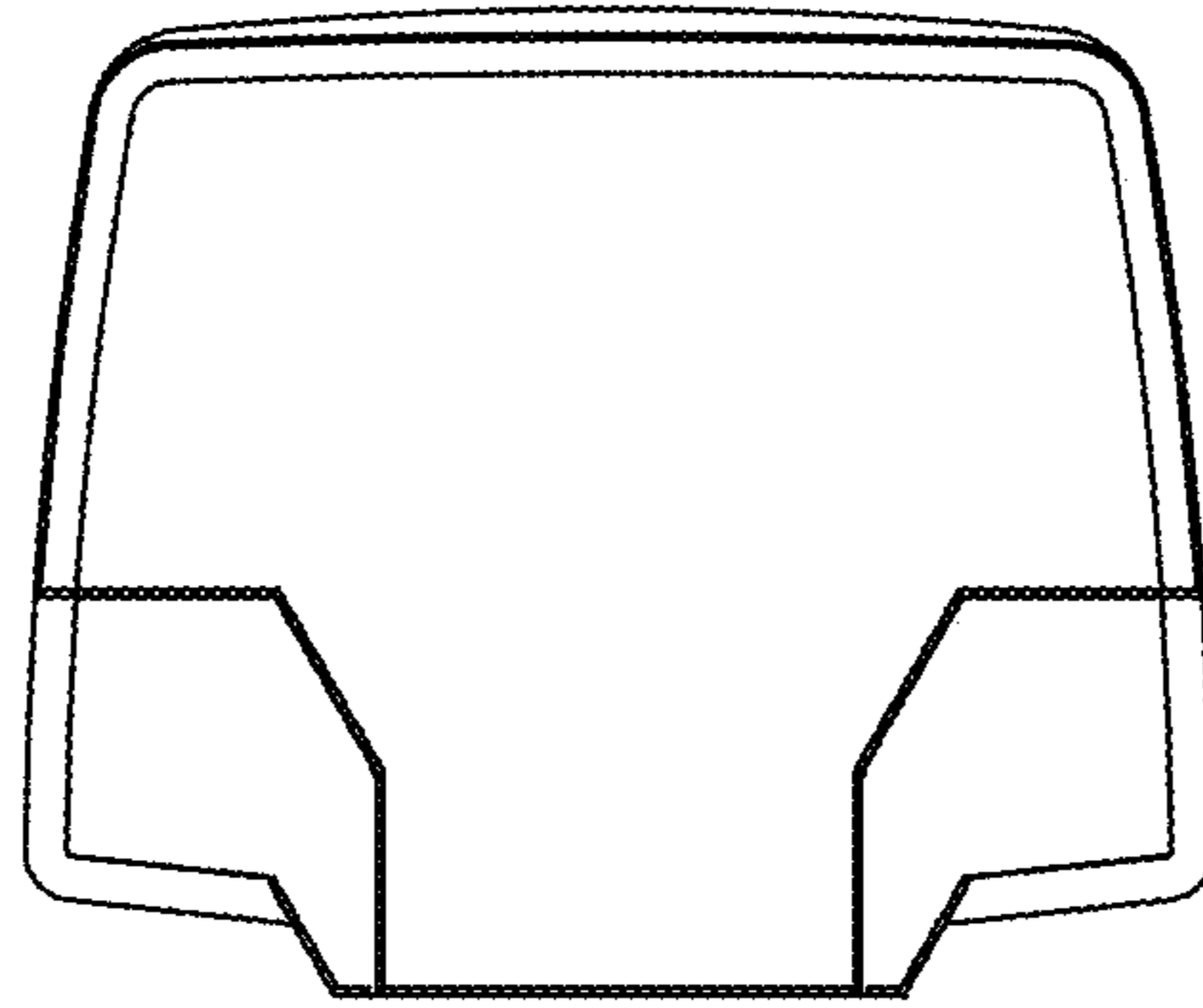


Fig. 8