



US00D896762S

(12) **United States Design Patent**  
**Hu et al.**

(10) **Patent No.:** **US D896,762 S**  
(45) **Date of Patent:** **\*\* Sep. 22, 2020**

(54) **CABLE**

(71) Applicant: **DONGGUAN XUNTAO ELECTRONIC CO., LTD.**, Dongguan, Guangdong (CN)

(72) Inventors: **Lin-Biao Hu**, Dongguan (CN); **Kenny Yi**, Dongguan (CN); **Zuo-Hua Huang**, Dongguan (CN)

(73) Assignee: **DONGGUAN XUNTAO ELECTRONIC CO., LTD.**, Dongguan, Guangdong (CN)

(\*\*) Term: **15 Years**

(21) Appl. No.: **29/677,953**

(22) Filed: **Jan. 24, 2019**

(30) **Foreign Application Priority Data**

Aug. 30, 2018 (CN) ..... 2018 3 0485425

(51) **LOC (12) Cl.** ..... **13-03**

(52) **U.S. Cl.**  
USPC ..... **D13/147**

(58) **Field of Classification Search**  
USPC ..... D13/101, 107, 110, 118, 133, 147, 153,  
D13/154; D14/432, 433, 435.1

(Continued)

(56) **References Cited**

**U.S. PATENT DOCUMENTS**

D676,389 S \* 2/2013 Worth ..... D13/147  
D716,235 S \* 10/2014 Tien ..... D13/147

(Continued)

**OTHER PUBLICATIONS**

“Belkin MIXIT DuraTek Kevlar USB-C”. Found online May 5, 2020 at amazon.com. Reference dated Jun. 2, 2017. Retrieved from

<https://www.amazon.com/Belkin-MIXIT-DuraTek-Kevlar-USB-C/dp/B01NH05UET>. (Year: 2017).\*

(Continued)

*Primary Examiner* — Kendra Leslie Hamilton

*Assistant Examiner* — Amanda Christensen

(74) *Attorney, Agent, or Firm* — Birch, Stewart, Kolasch & Birch, LLP

(57) **CLAIM**

The ornamental design for a cable, as shown and described.

**DESCRIPTION**

FIG. 1 is a top, front, left perspective view of a first embodiment of a CABLE, showing our new design;

FIG. 2 is a front elevation view thereof;

FIG. 3 is a rear elevation view thereof;

FIG. 4 is a left side elevation view thereof;

FIG. 5 is a right side elevation view thereof;

FIG. 6 is a top plan view thereof;

FIG. 7 is a bottom, front, right perspective view of the cable of FIG. 1, shown in a second configuration with alternative connectors;

FIG. 8 is a bottom, front, right perspective view of the cable of FIG. 1, shown in a third configuration with alternative connectors;

FIG. 9 is a top, front, left perspective view of a second embodiment of a cable showing our new design;

FIG. 10 is a front elevation view thereof;

FIG. 11 is a rear elevation view thereof;

FIG. 12 is a left side elevation view thereof;

FIG. 13 is a right side elevation view thereof;

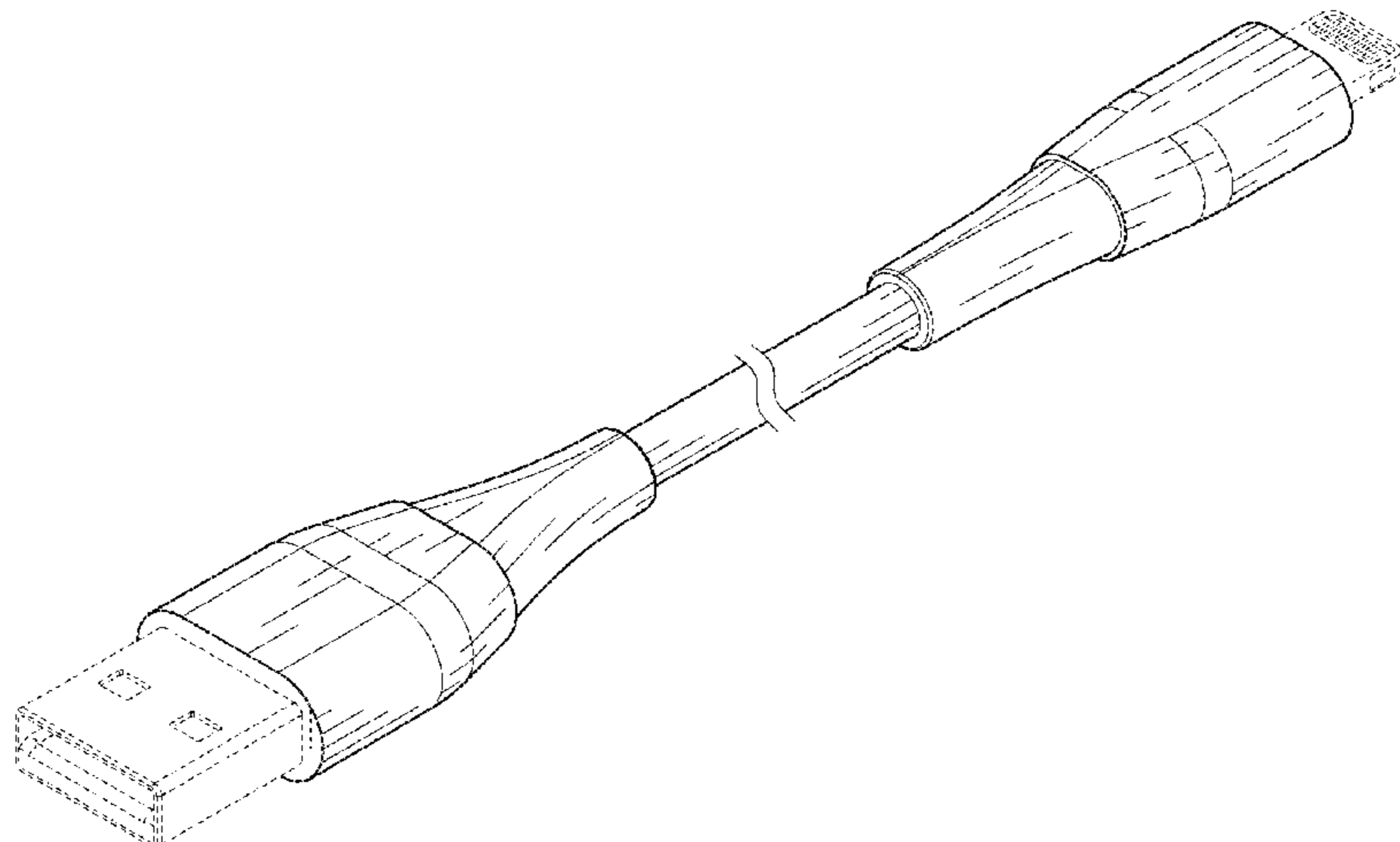
FIG. 14 is a top plan view thereof;

FIG. 15 is a bottom, front, right perspective view of the cable of FIG. 9, shown in a second configuration with alternative connectors; and,

FIG. 16 is a bottom, front, right perspective view of the cable of FIG. 9, shown in a third configuration with alternative connectors.

The broken lines depict portions of the cable that form no part of the claimed design.

(Continued)



The cable is shown with a symbolic break in its length. The appearance of any portion of the article between the break lines forms no part of the claimed design.

**1 Claim, 12 Drawing Sheets**

(58) **Field of Classification Search**

CPC ..... H01R 12/58; H01R 24/20; H01R 24/00;  
H01R 12/592

See application file for complete search history.

(56) **References Cited**

U.S. PATENT DOCUMENTS

D768,084 S \* 10/2016 Rodriguez ..... D13/147  
D793,344 S \* 8/2017 Wang ..... D13/153  
D810,748 S \* 2/2018 Zhang ..... D14/433  
D815,600 S \* 4/2018 Matsuoka ..... D13/147

D820,217 S \* 6/2018 Li ..... D13/147  
D843,948 S \* 3/2019 Akana ..... D13/147  
10,637,181 B2 \* 4/2020 Al-Ali ..... A61B 5/04286  
2016/0172804 A1 \* 6/2016 Wu ..... H01R 43/0249  
439/676  
2017/0085041 A1 \* 3/2017 Zhang ..... H01R 13/7175  
2018/0109127 A1 \* 4/2018 Huang ..... G06F 1/266

OTHER PUBLICATIONS

“CSL-Computer HDMI Cable”. Found online May 6, 2020 at amazon.com. Reference dated Mar. 16, 2016. Retrieved from <https://www.amazon.co.uk/Primewire-Ultimate-18Gbps-Ethernet-Braiding-Copper/dp/B01CVQNJSK>. (Year: 2016).\*

“Alida Systems Professional HDMI to Mini HDMI”. Found online May 6, 2020 at amazon.com. Reference dated Aug. 25, 2014. Retrieved from <https://www.amazon.co.uk/Alida-Systems-Professional-HDMI-Mini/dp/B007OUBVK2>. (Year: 2014).\*

\* cited by examiner

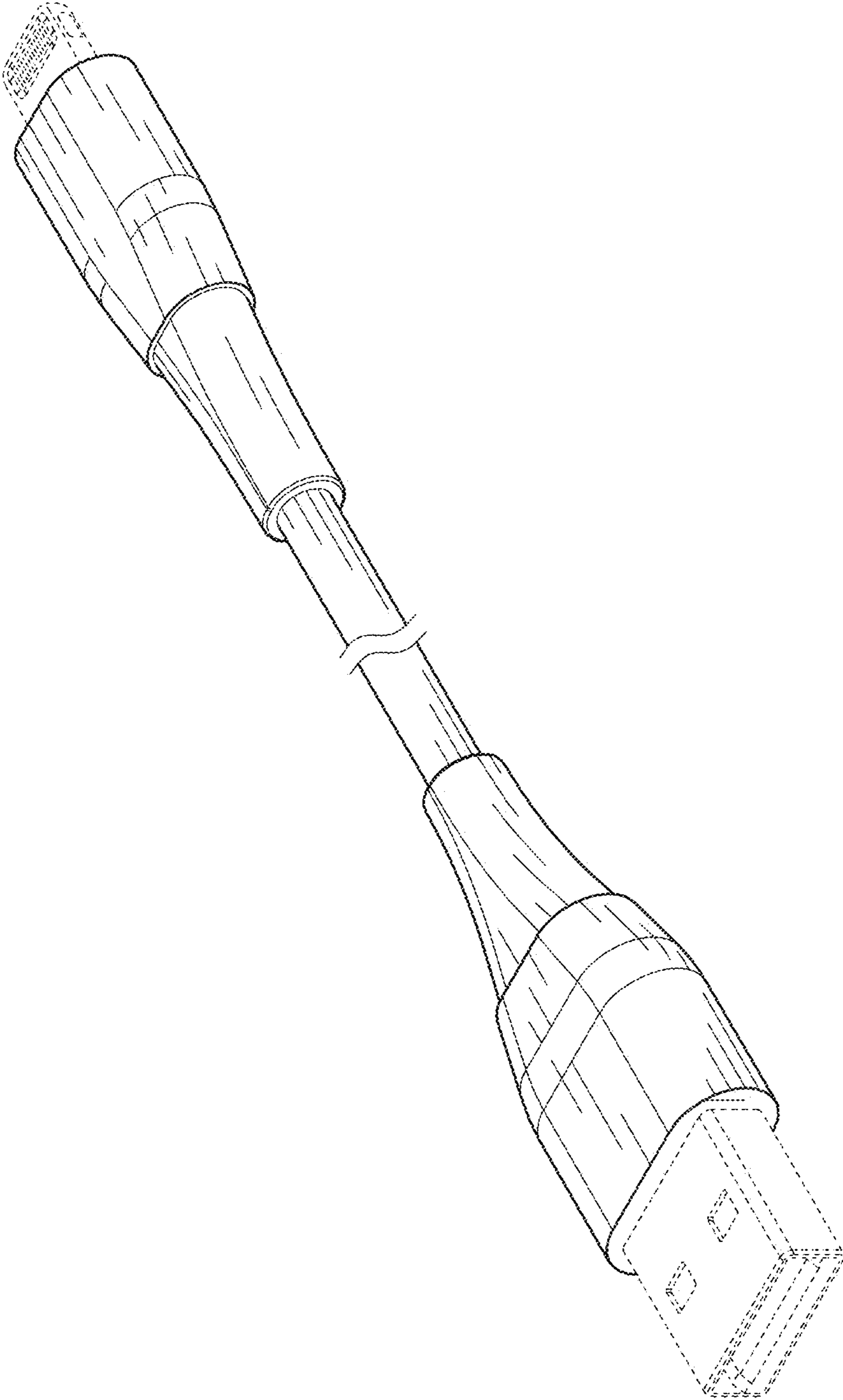


FIG. 1

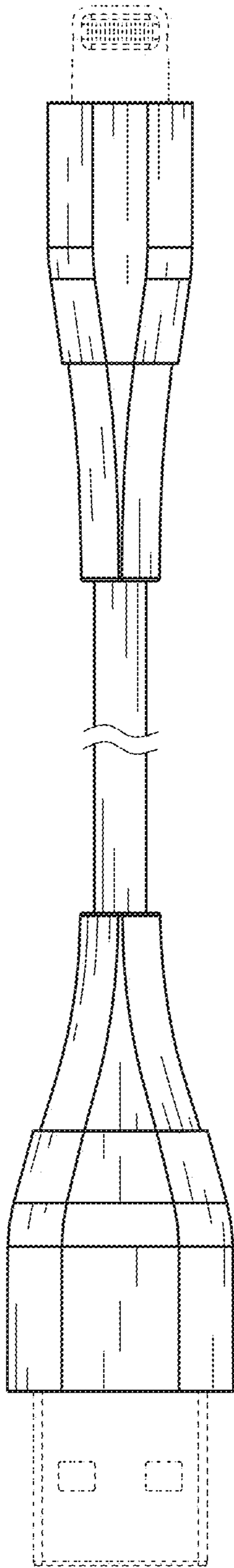


FIG. 2

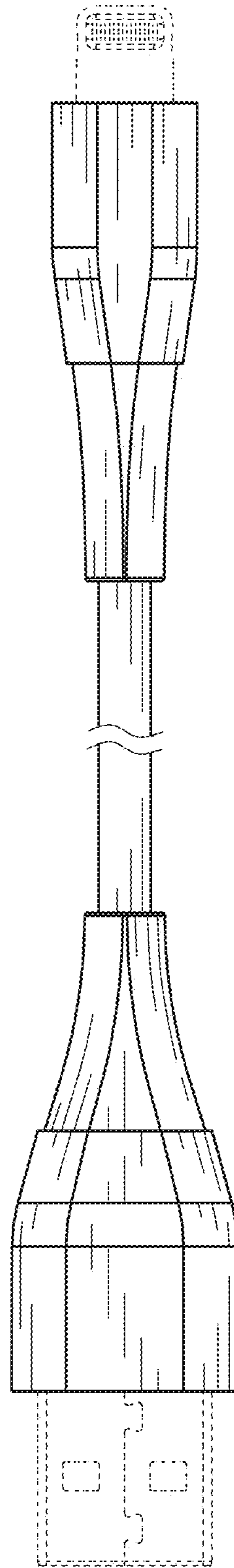


FIG. 3

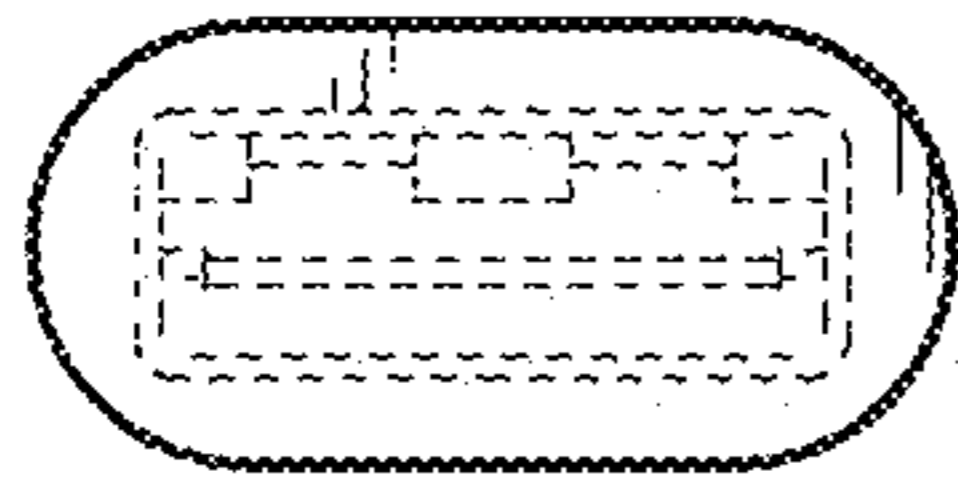


FIG. 4

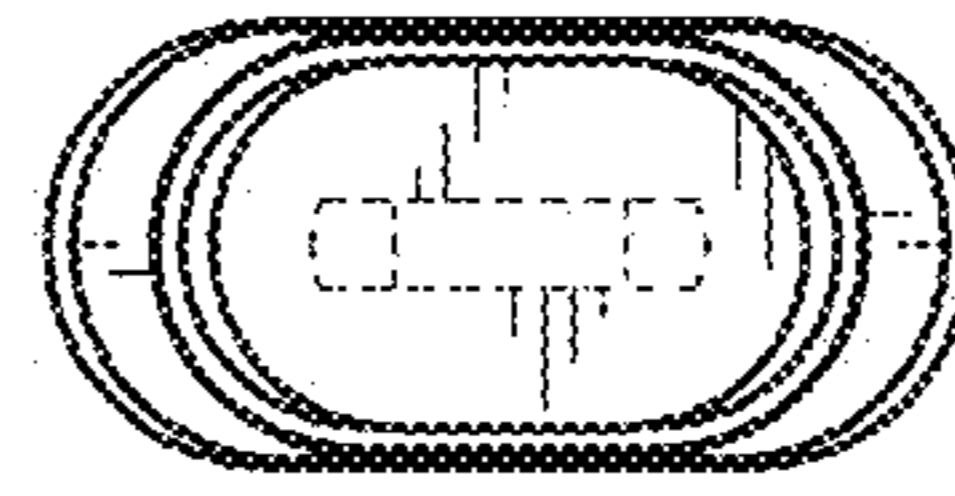


FIG. 5

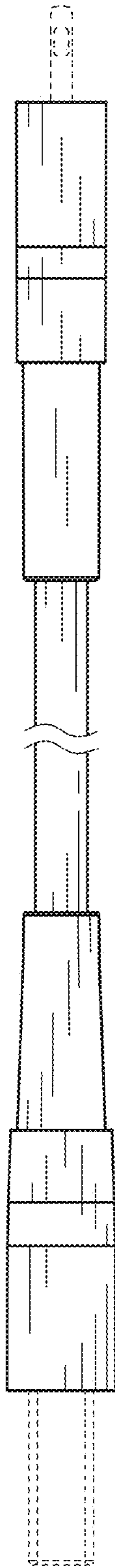


FIG. 6

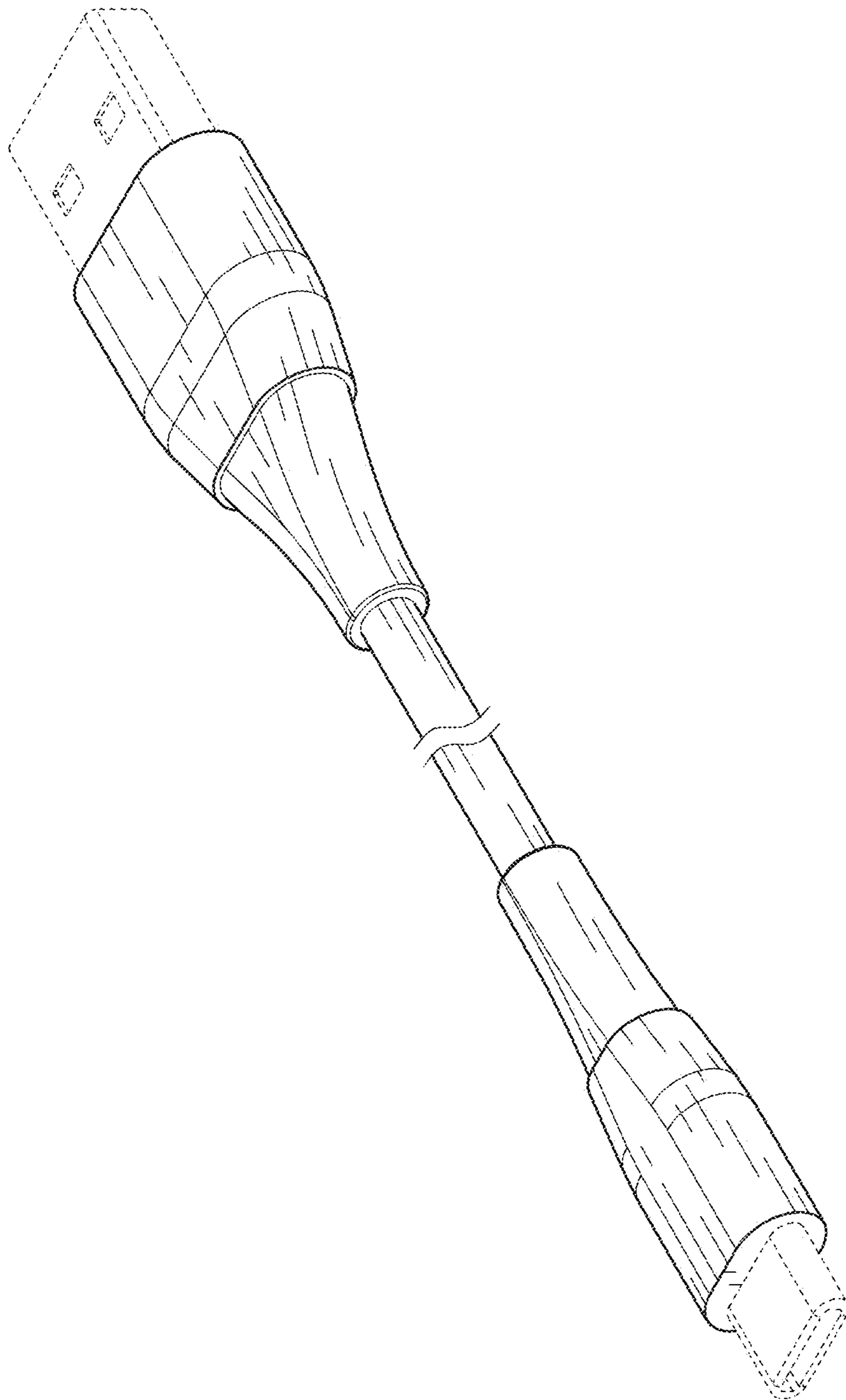


FIG. 7

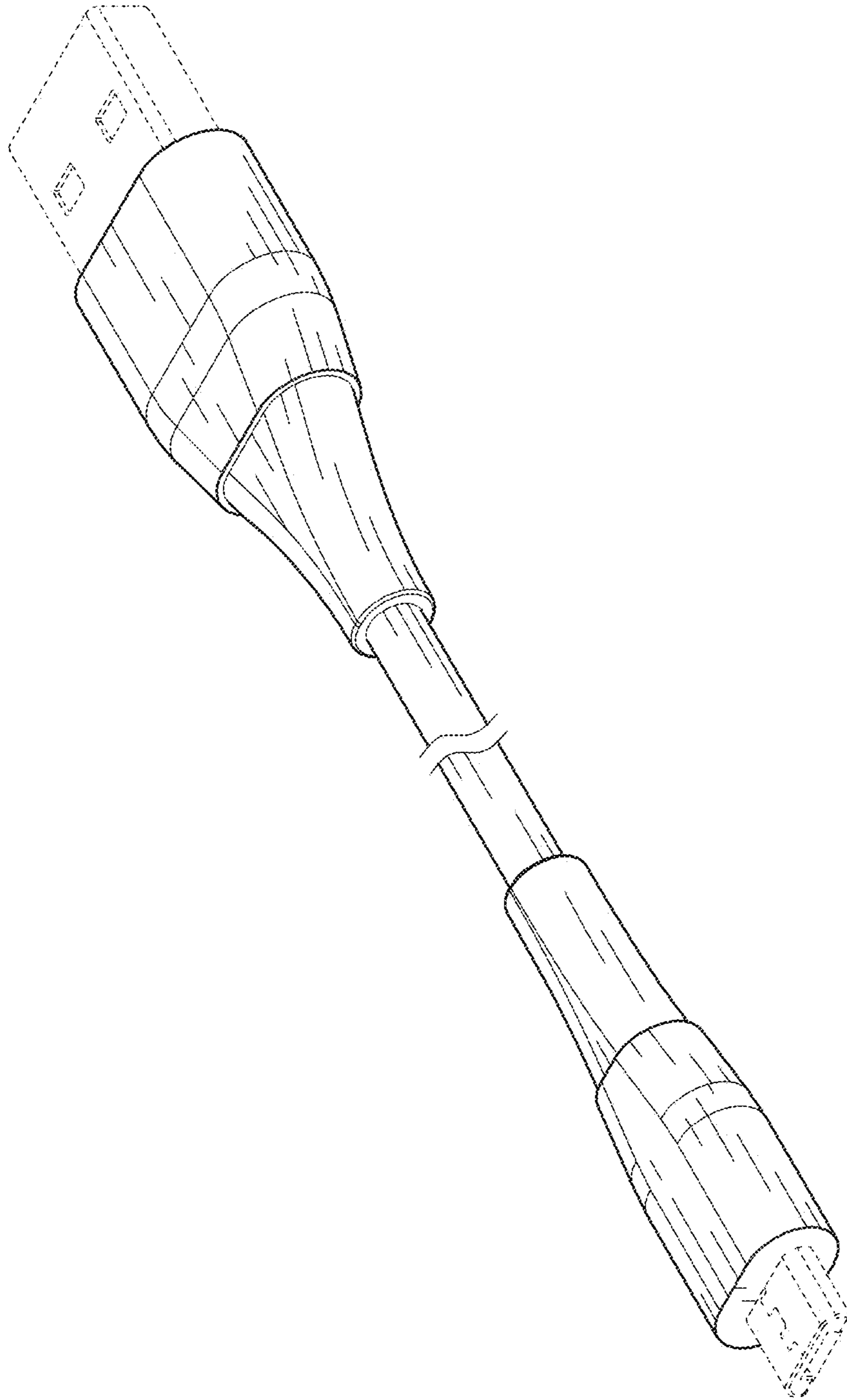


FIG. 8



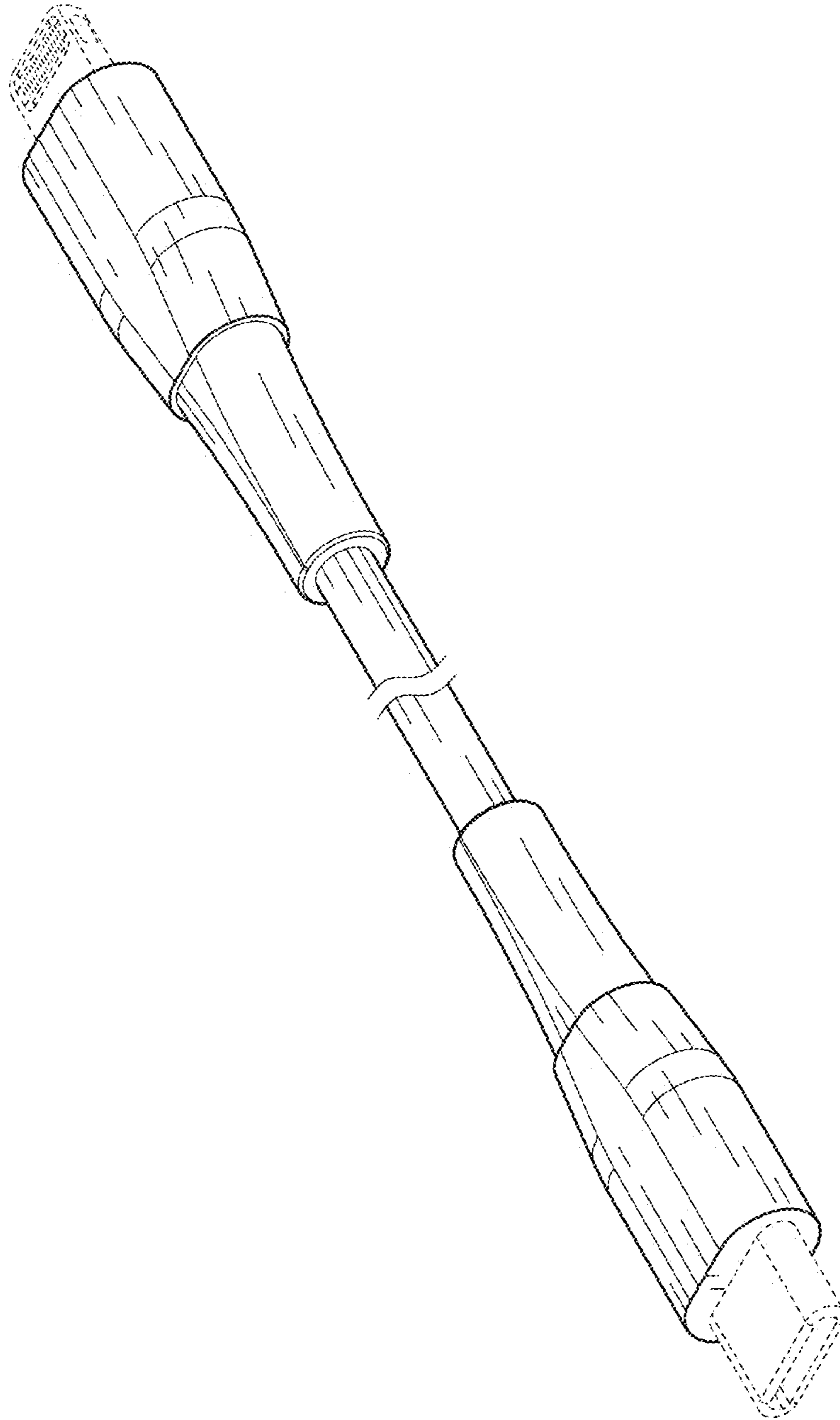


FIG. 9

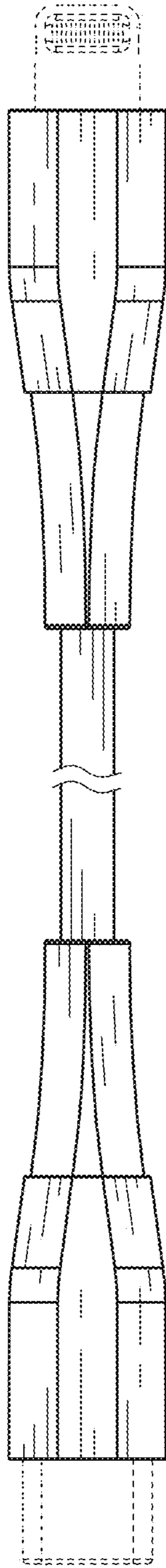


FIG. 10

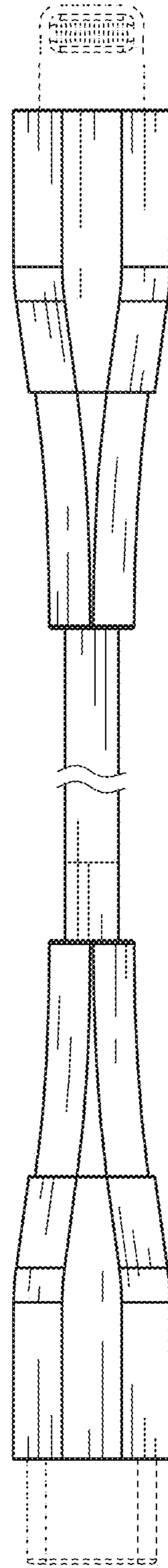


FIG. 11

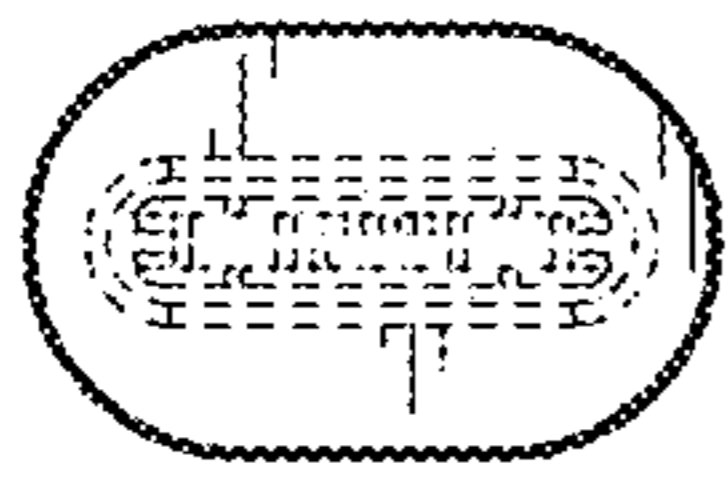


FIG. 12

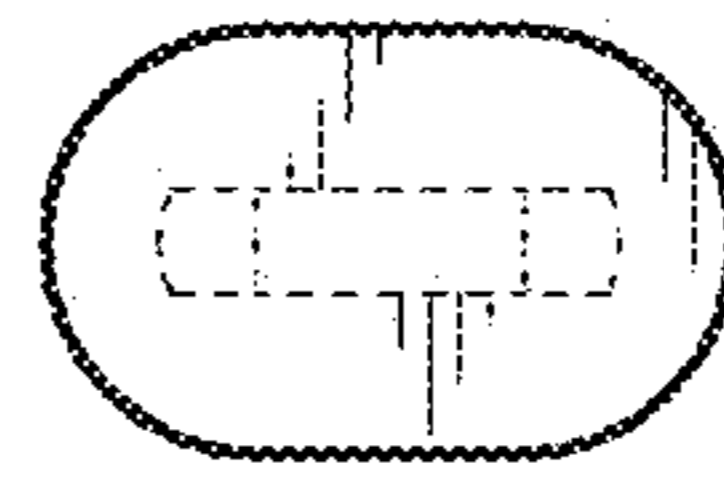


FIG. 13

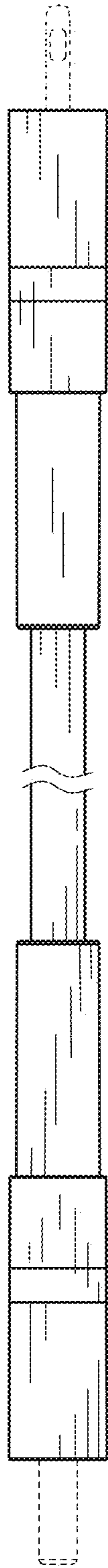


FIG. 14

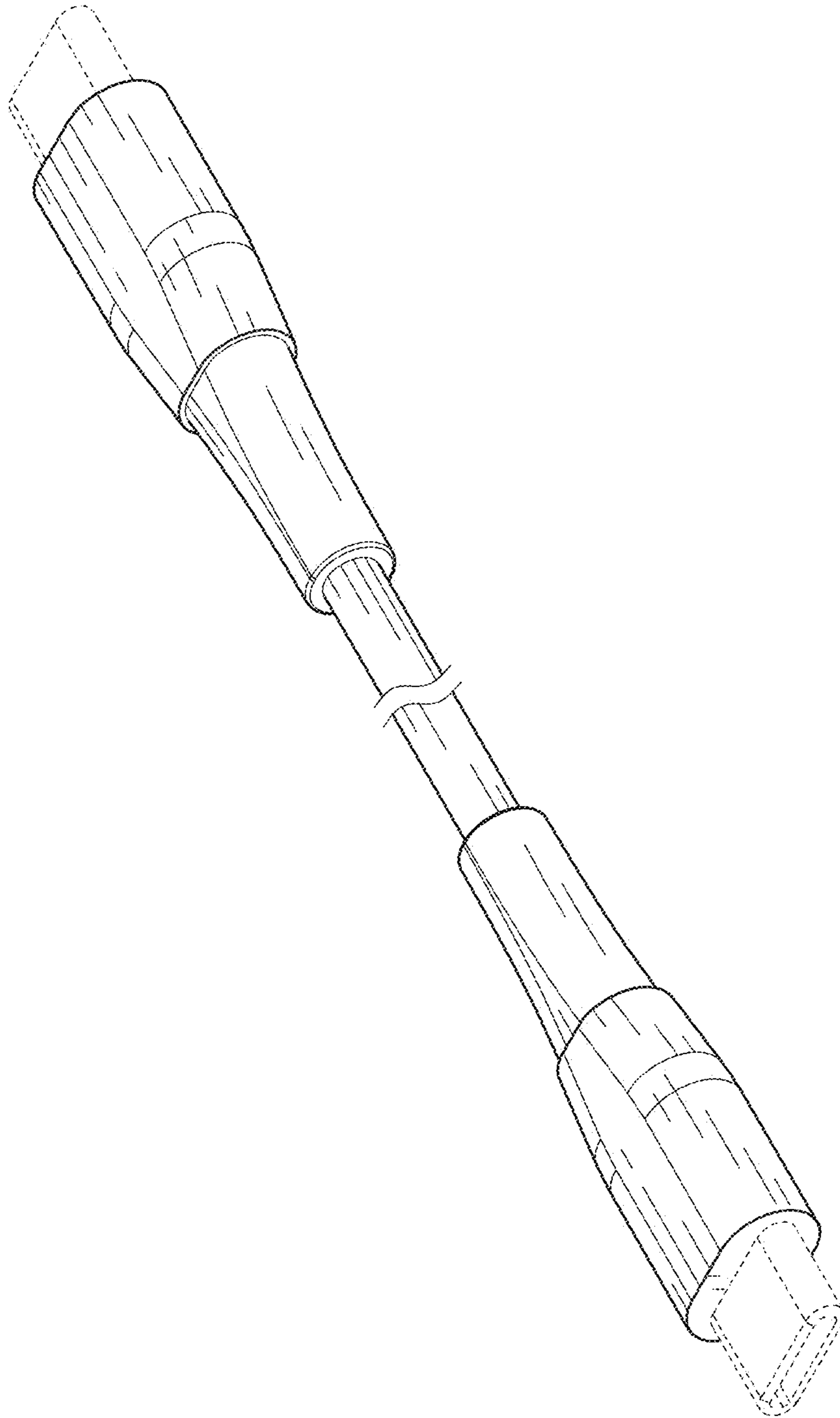


FIG. 15

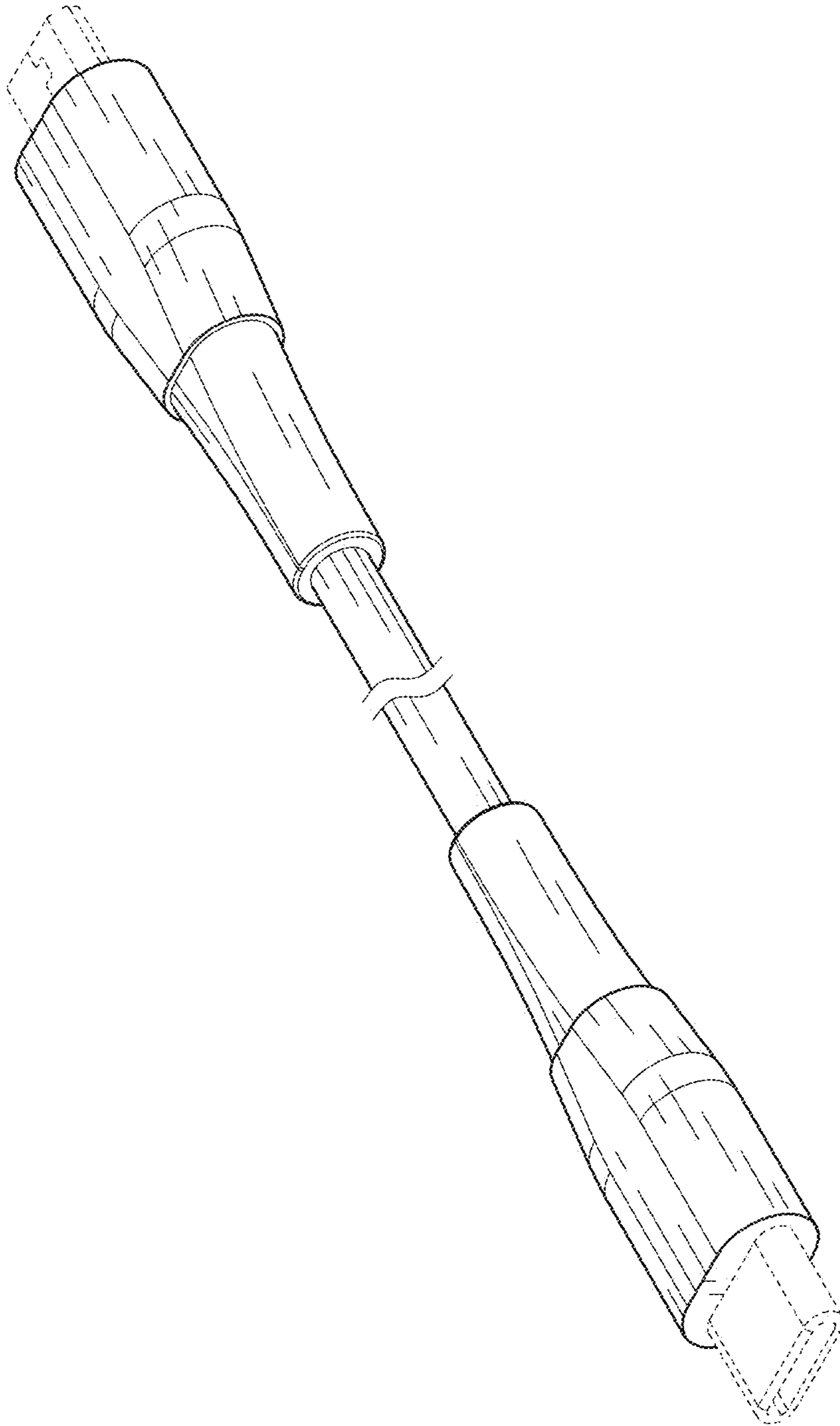


FIG. 16