



US00D896760S

(12) **United States Design Patent** (10) **Patent No.:** **US D896,760 S**
Yu (45) **Date of Patent:** **** Sep. 22, 2020**

(54) **ELECTRICAL SOCKET**
(71) Applicant: **NINGBO WELL ELECTRIC APPLIANCE CO., LTD.**, Ningbo (CN)
(72) Inventor: **Guolin Yu**, Ningbo (CN)
(73) Assignee: **NINGBO WELL ELECTRIC APPLIANCE CO., LTD.**, Ningbo (CN)
(**) Term: **15 Years**
(21) Appl. No.: **29/681,581**
(22) Filed: **Feb. 26, 2019**
(51) **LOC (12) Cl.** **13-03**
(52) **U.S. Cl.**
USPC **D13/137.3**
(58) **Field of Classification Search**
USPC D13/107, 108, 110, 133, 137.1, 137.2, D13/137.3, 137.4, 138.1, 138.2, 139.1, D13/139.2, 139.3, 139.4, 139.6, 139.7, D13/139.8, 146, 154, 156, 158, 177, 184, D13/199; D14/432, 433
CPC H01R 13/46; H01R 24/76; H01R 13/44
See application file for complete search history.

D596,571 S * 7/2009 Green D13/137.2
8,109,778 B2 * 2/2012 Howard H01R 13/639
439/346
8,382,507 B2 * 2/2013 Yamaguchi H01R 13/6275
439/346
D719,914 S * 12/2014 Wu D13/138.1
D730,841 S * 6/2015 Lee D13/139.8
D884,642 S * 5/2020 Cheng D13/137.4

OTHER PUBLICATIONS

“Prime Jobsite Locking Outdoor Extension Cord”. Found online Jun. 19, 2020 at northerntool.com. Reference dated Jul. 2, 2015. Retrieved from https://www.northerntool.com/shop/tools/product_200351105_200351105. (Year: 2015).*

(Continued)

Primary Examiner — Kendra Leslie Hamilton
Assistant Examiner — Amanda Christensen

(57) **CLAIM**

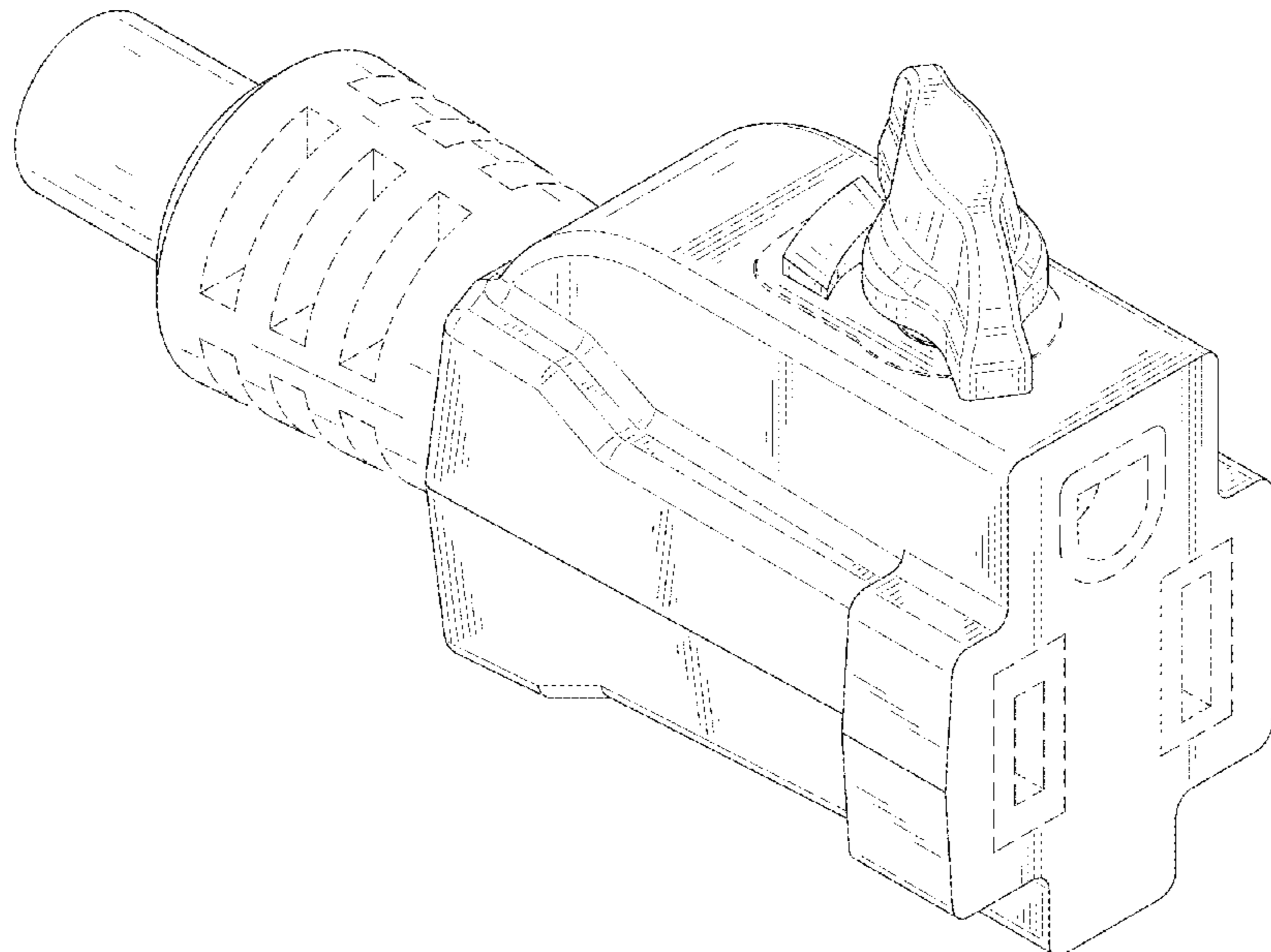
The ornamental design for an electrical socket, as shown and described.

DESCRIPTION

FIG. 1 is a right, front, top perspective view of an electrical socket showing my new design;
FIG. 2 is a left, rear, bottom perspective view thereof;
FIG. 3 is a front elevational view thereof;
FIG. 4 is a rear elevational view thereof;
FIG. 5 is a right side elevational view thereof;
FIG. 6 is a left side elevational view thereof;
FIG. 7 is a top plan view thereof; and,
FIG. 8 is a bottom plan view thereof.
The broken lines depict portions of the electrical socket that form no part of the claimed design.

1 Claim, 8 Drawing Sheets

(56) **References Cited**
U.S. PATENT DOCUMENTS
D405,759 S * 2/1999 Carmo D13/139.1
D479,826 S * 9/2003 Verfueth D13/137.4
D484,460 S * 12/2003 Cheng D13/137.4
D534,126 S * 12/2006 Chan D13/139.1
7,320,613 B1 * 1/2008 Ratzlaff H01R 13/6397
439/345
7,410,377 B2 * 8/2008 Wharton H01R 13/633
439/172
D591,680 S * 5/2009 Ho'o D13/137.4



(56)

References Cited

OTHER PUBLICATIONS

“CERRO Serpentec Locking Plug Extension Cord”. Found online Jun. 19, 2020 at amazon.com. Reference dated Jul. 2, 2015. Retrieved from <https://www.amazon.com/Serpentec-630-143050L30-Lighted-Locking-Extension/dp/B00NODEJ5M>. (Year: 2015).*

“Marinco Locking Ext Cord”. Found online Jun. 19, 2020 at amazon.com. Reference dated Mar. 3, 2017. Retrieved from https://www.amazon.com/Marinco-Park-Power-150025RV-Locking/dp/B075Z9LW22/ref=pd_sbs_263_3/132-8872043-7311067. (Year: 2017).*

* cited by examiner

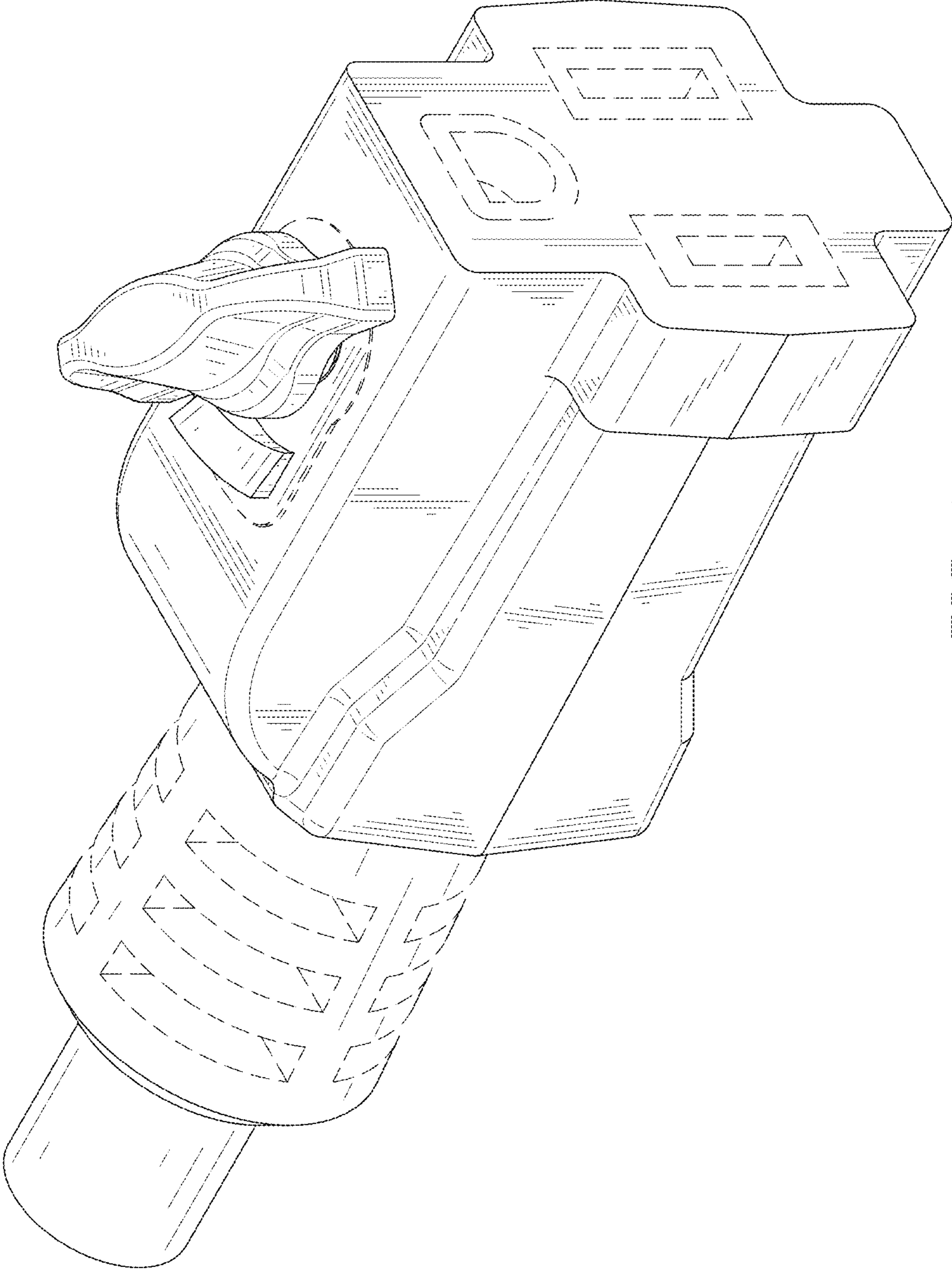


FIG. 1

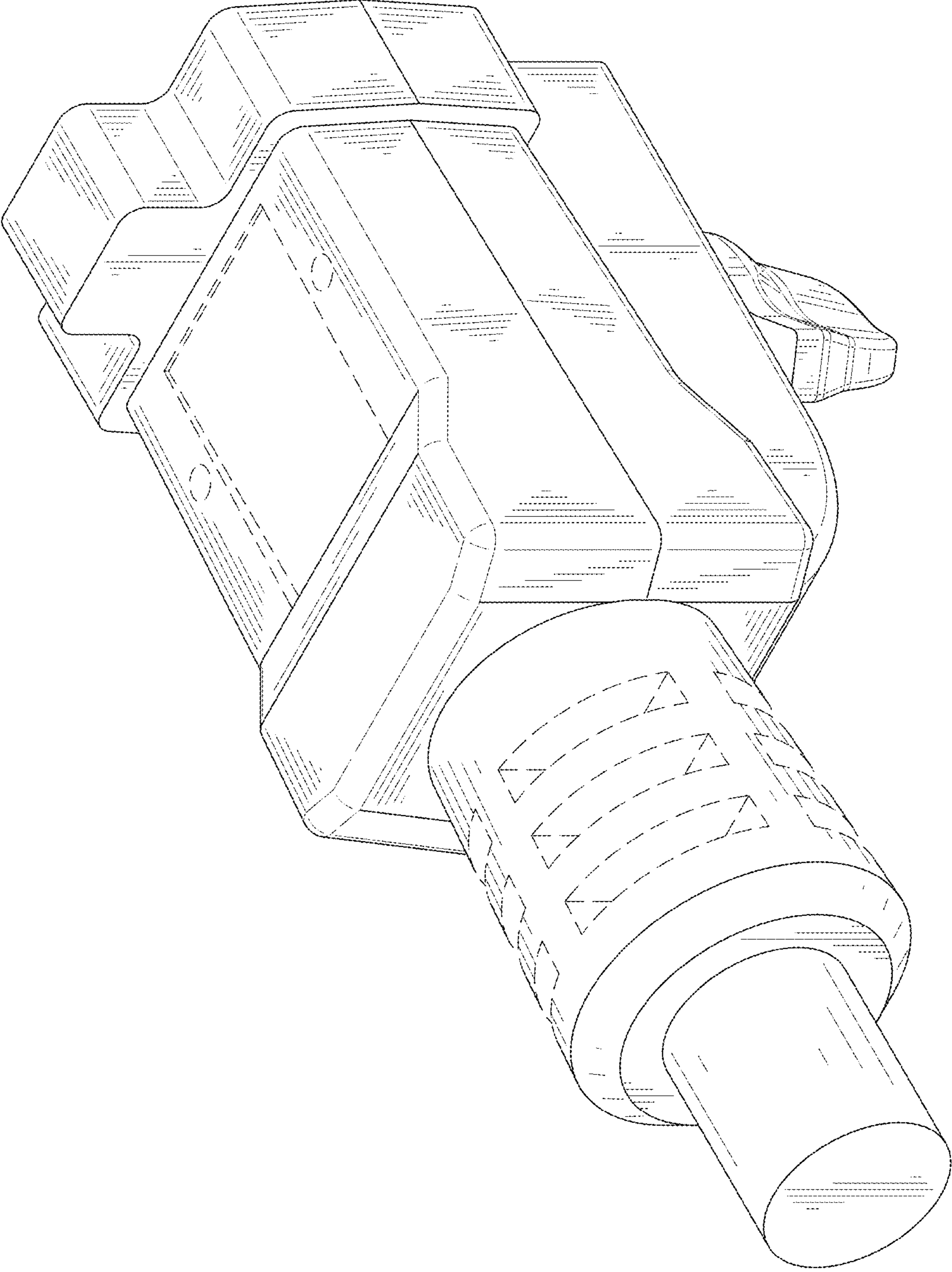


FIG. 2

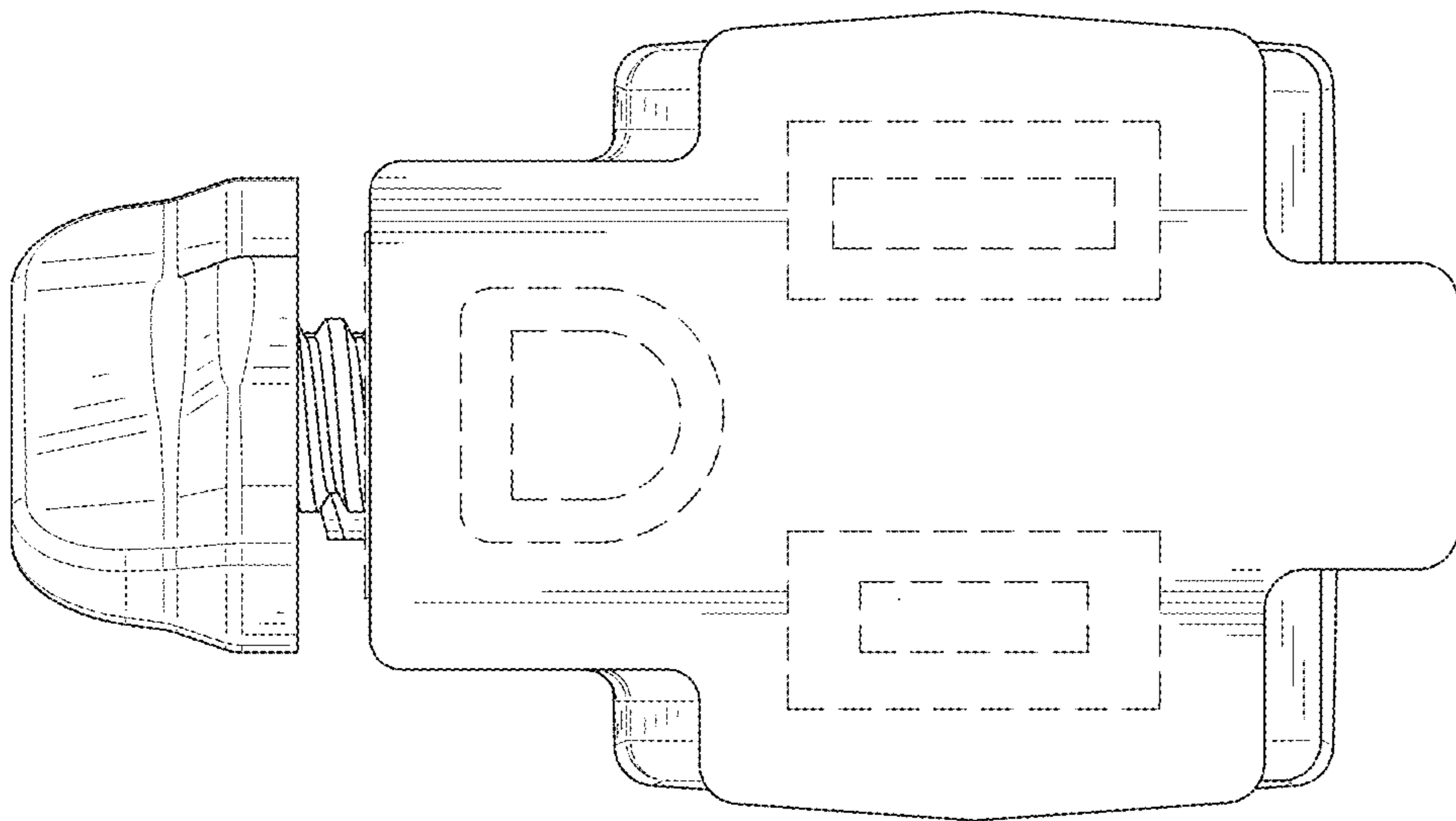


FIG. 3

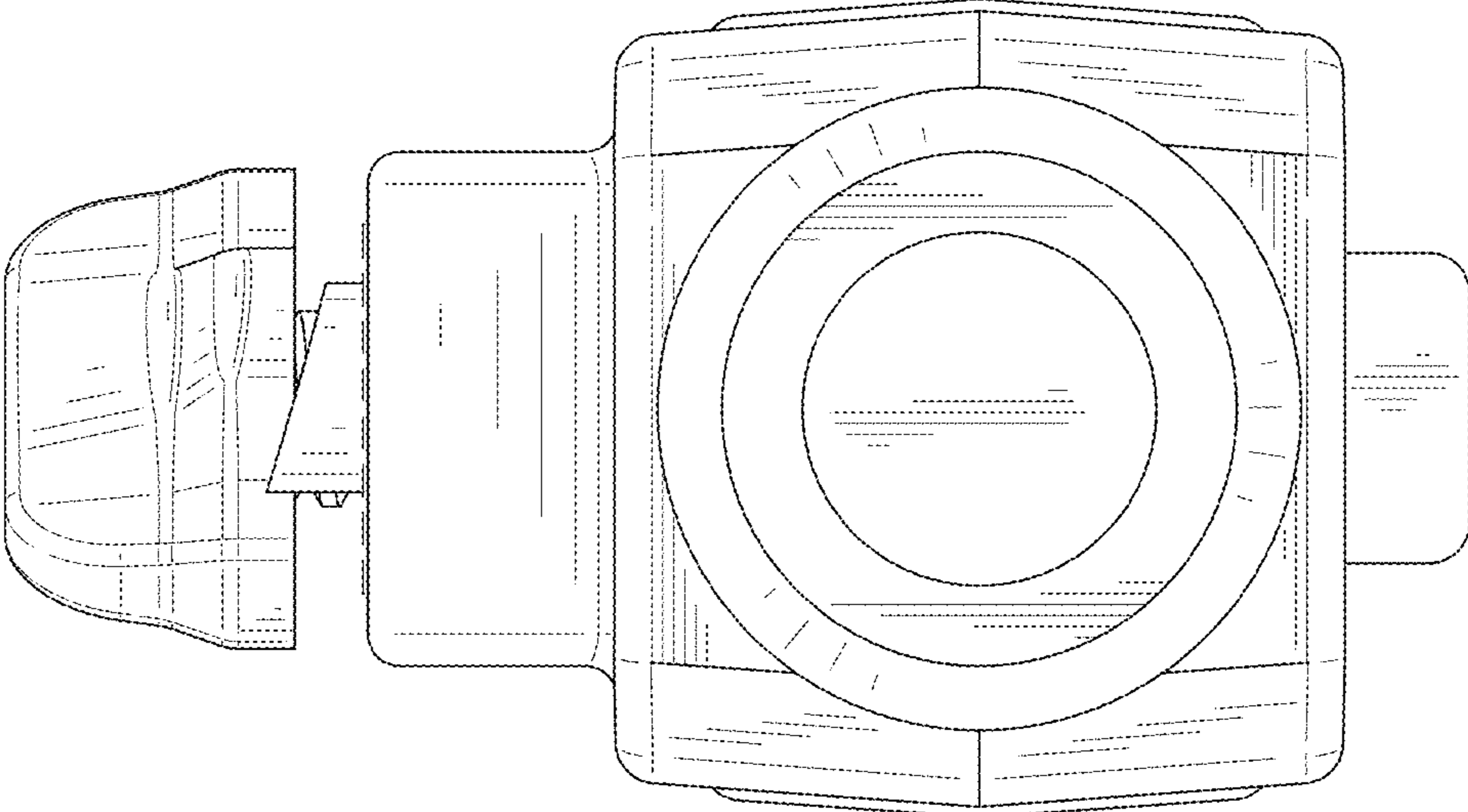


FIG. 4

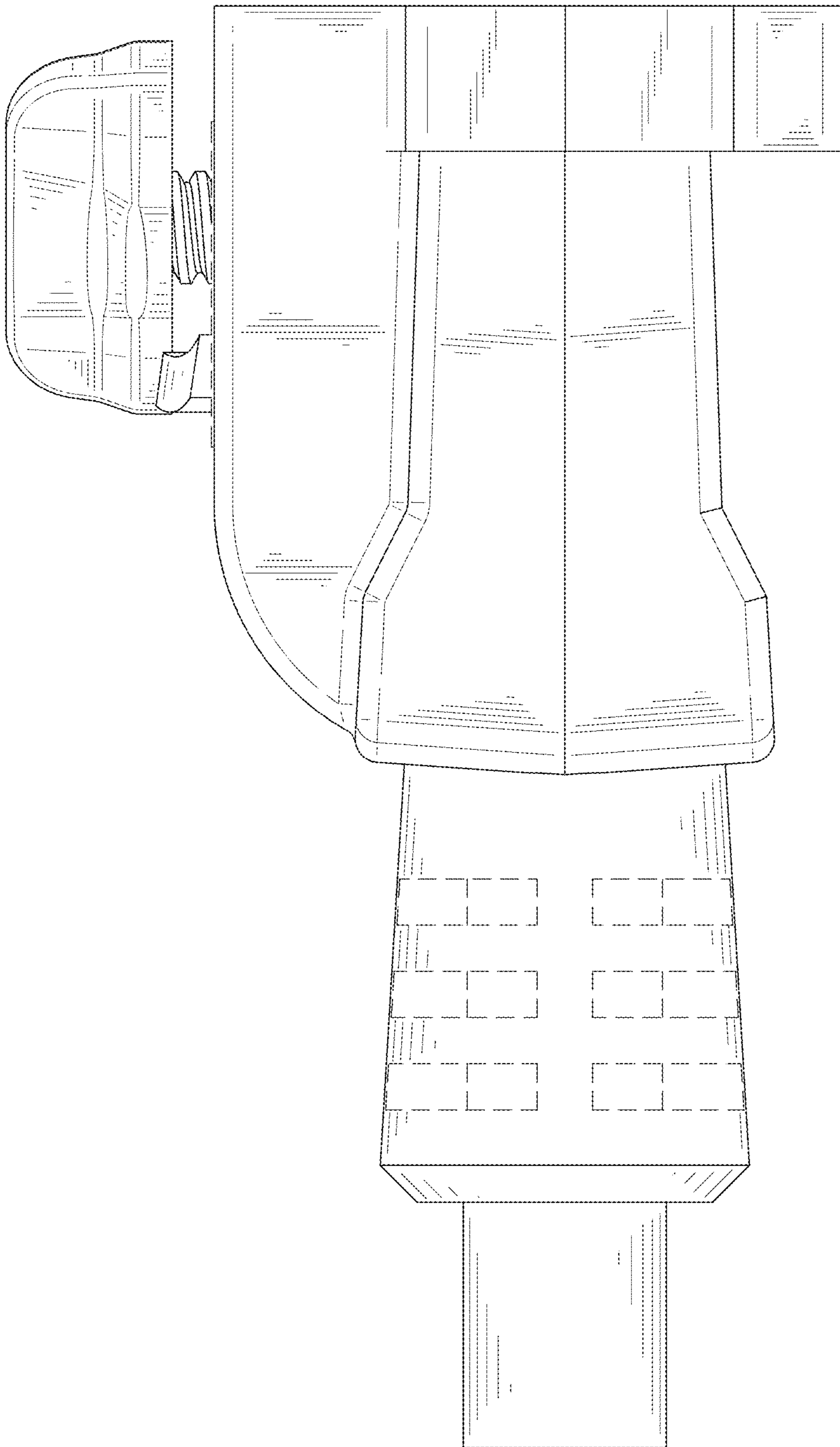


FIG. 5

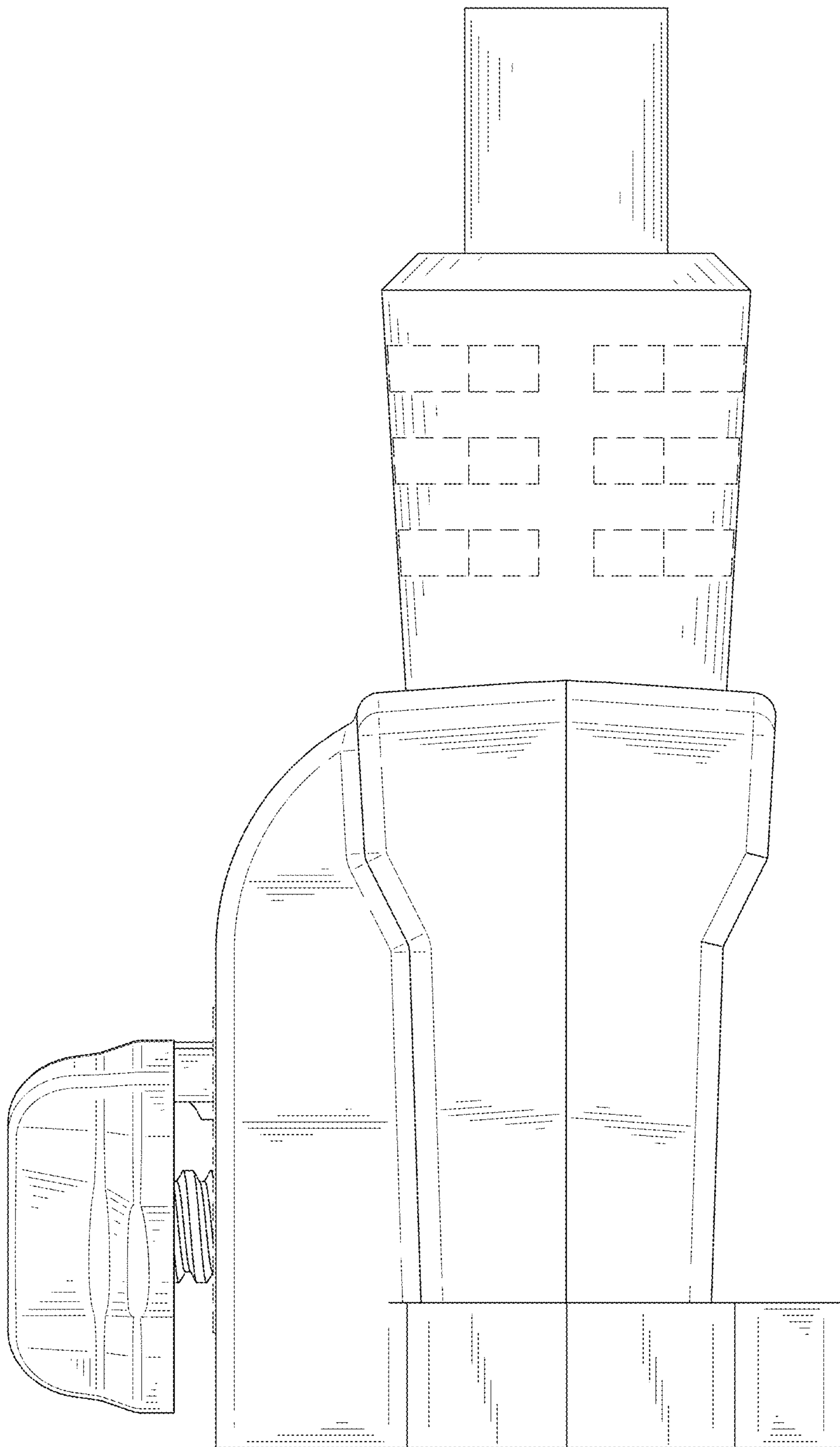


FIG. 6

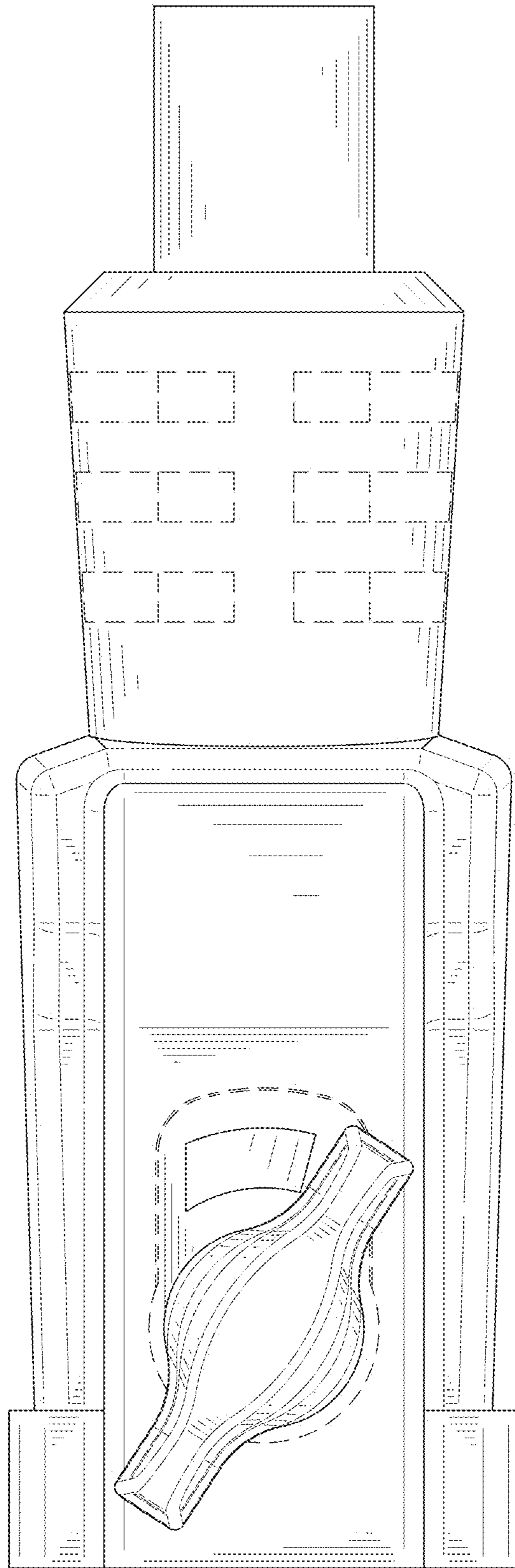


FIG. 7

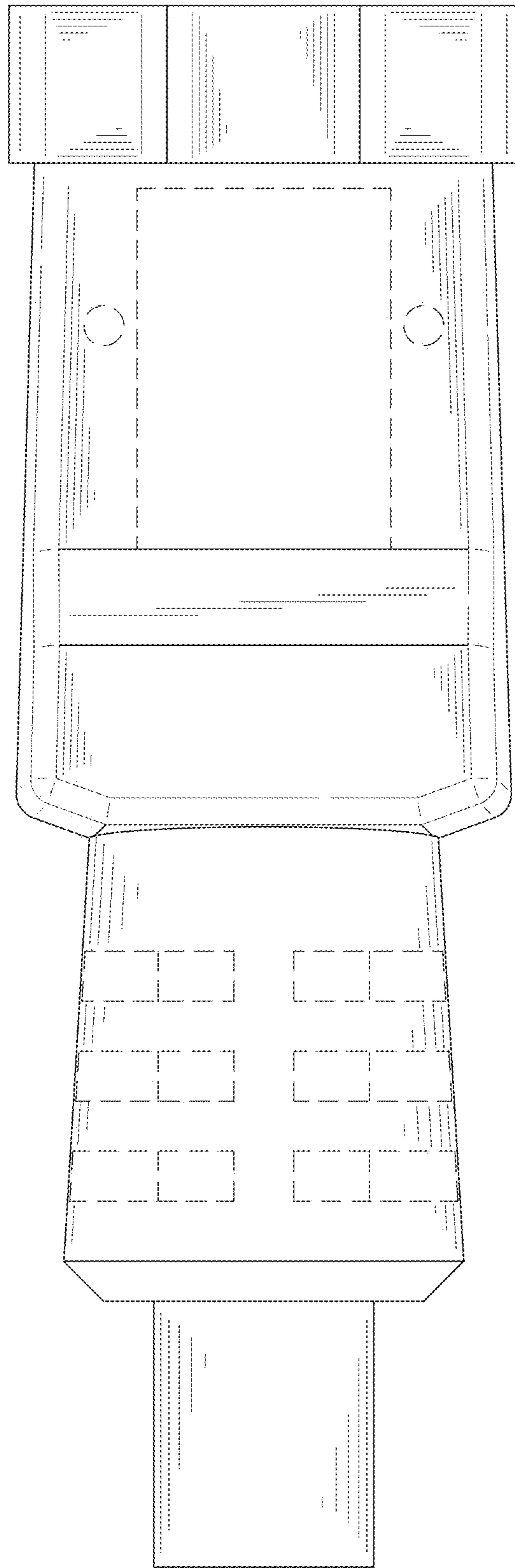


FIG. 8