



US00D896759S

(12) **United States Design Patent**
Yasuda et al.

(10) **Patent No.:** **US D896,759 S**
(45) **Date of Patent:** **** Sep. 22, 2020**

(54) **ELECTRICAL CONNECTOR**

DESCRIPTION

- (71) Applicant: **HIROSE ELECTRIC CO., LTD.**,
Tokyo (JP)
- (72) Inventors: **Makoto Yasuda**, Tokyo (JP); **Junya Iga**, Tokyo (JP)
- (73) Assignee: **HIROSE ELECTRIC CO., LTD.**,
Tokyo (JP)
- (**) Term: **15 Years**
- (21) Appl. No.: **29/698,337**
- (22) Filed: **Jul. 16, 2019**
- (30) **Foreign Application Priority Data**
 - Jan. 18, 2019 (JP) 2019-000864
 - Jan. 18, 2019 (JP) 2019-000865
- (51) **LOC (12) Cl.** **13-03**
- (52) **U.S. Cl.**
USPC **D13/133**
- (58) **Field of Classification Search**
USPC D13/133, 146, 147, 153, 154, 155, 184
(Continued)

(56) **References Cited**

U.S. PATENT DOCUMENTS

- D244,610 S * 6/1977 Gietzen D13/133
 - D331,909 S * 12/1992 Hollander D13/133
- (Continued)

Primary Examiner — Karen E Kearney
Assistant Examiner — Michael Chong
 (74) *Attorney, Agent, or Firm* — Rankin, Hill & Clark LLP

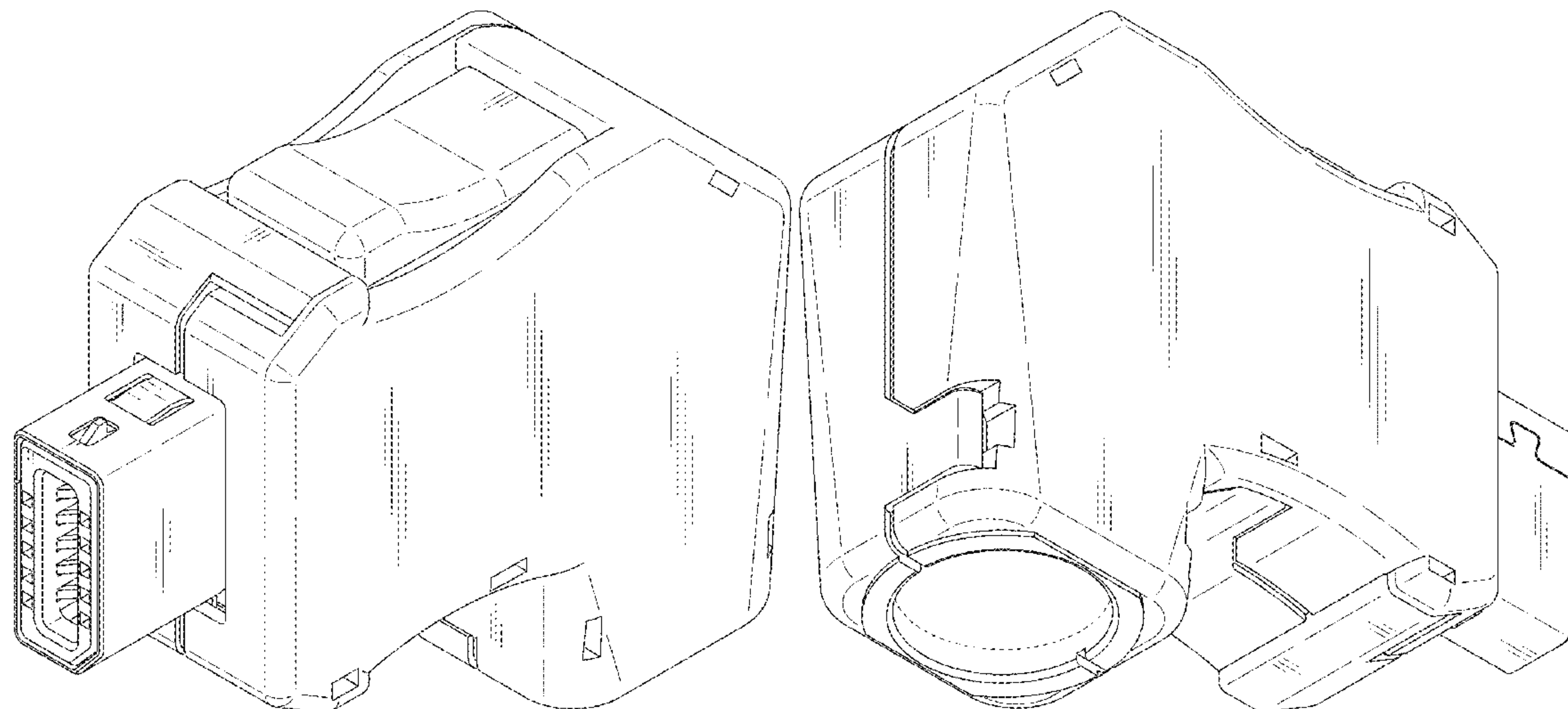
(57) **CLAIM**

The ornamental design for an electrical connector, as shown and described.

FIG. 1 is a perspective view of the front, top and right side of the electrical connector according to the first embodiment, showing our new design;
 FIG. 2 is a perspective view of the front, bottom and right side thereof;
 FIG. 3 is a perspective view of the rear, top and left side thereof;
 FIG. 4 is a perspective view of the rear, bottom and left side thereof;
 FIG. 5 is a front view thereof;
 FIG. 6 is a rear view thereof;
 FIG. 7 is a left side view thereof;
 FIG. 8 is a right side view thereof;
 FIG. 9 is a top plan view thereof;
 FIG. 10 is a bottom view thereof;
 FIG. 11 is an enlarged cross sectional view taken along arrows 11-11 in FIG. 5 at a dashed-dotted line 11 in FIG. 8;
 FIG. 12 is a perspective view of the front, top and right side of the electrical connector according to the second embodiment, showing our new design;
 FIG. 13 is a perspective view of the front, bottom and right side thereof;
 FIG. 14 is a perspective view of the rear, top and left side thereof;
 FIG. 15 is a perspective view of the rear, bottom and left side thereof;
 FIG. 16 is a front view thereof;
 FIG. 17 is a rear view thereof;
 FIG. 18 is a left side view thereof;
 FIG. 19 is a right side view thereof;
 FIG. 20 is a top plan view thereof;
 FIG. 21 is a bottom view thereof; and,
 FIG. 22 is an enlarged cross sectional view taken along arrows 22-22 in FIG. 16 at a dashed-dotted line 22 in FIG. 19.

The broken lines showing are for the purpose of illustrating portions of the electrical connector and the section the enlarged view is taken from and form no part of the claimed design.

1 Claim, 22 Drawing Sheets



(58) **Field of Classification Search**

CPC H01R 13/02; H01R 13/436; H01R 13/502;
H01R 13/504; H01R 13/506; H01R
13/62; H01R 13/64; H01R 13/641
See application file for complete search history.

(56) **References Cited**

U.S. PATENT DOCUMENTS

D589,889	S	*	4/2009	Wu	D13/133
D626,081	S	*	10/2010	Lin	D13/147
D678,203	S	*	3/2013	Corona	D13/133
D706,715	S	*	6/2014	Ball	D13/133
D709,456	S	*	7/2014	Yokoyama	D13/147
D727,848	S	*	4/2015	Burgett	D13/133
D747,272	S	*	1/2016	Zhao	D13/147
D864,876	S	*	10/2019	Sakaizawa	D13/147

* cited by examiner

FIG. 1

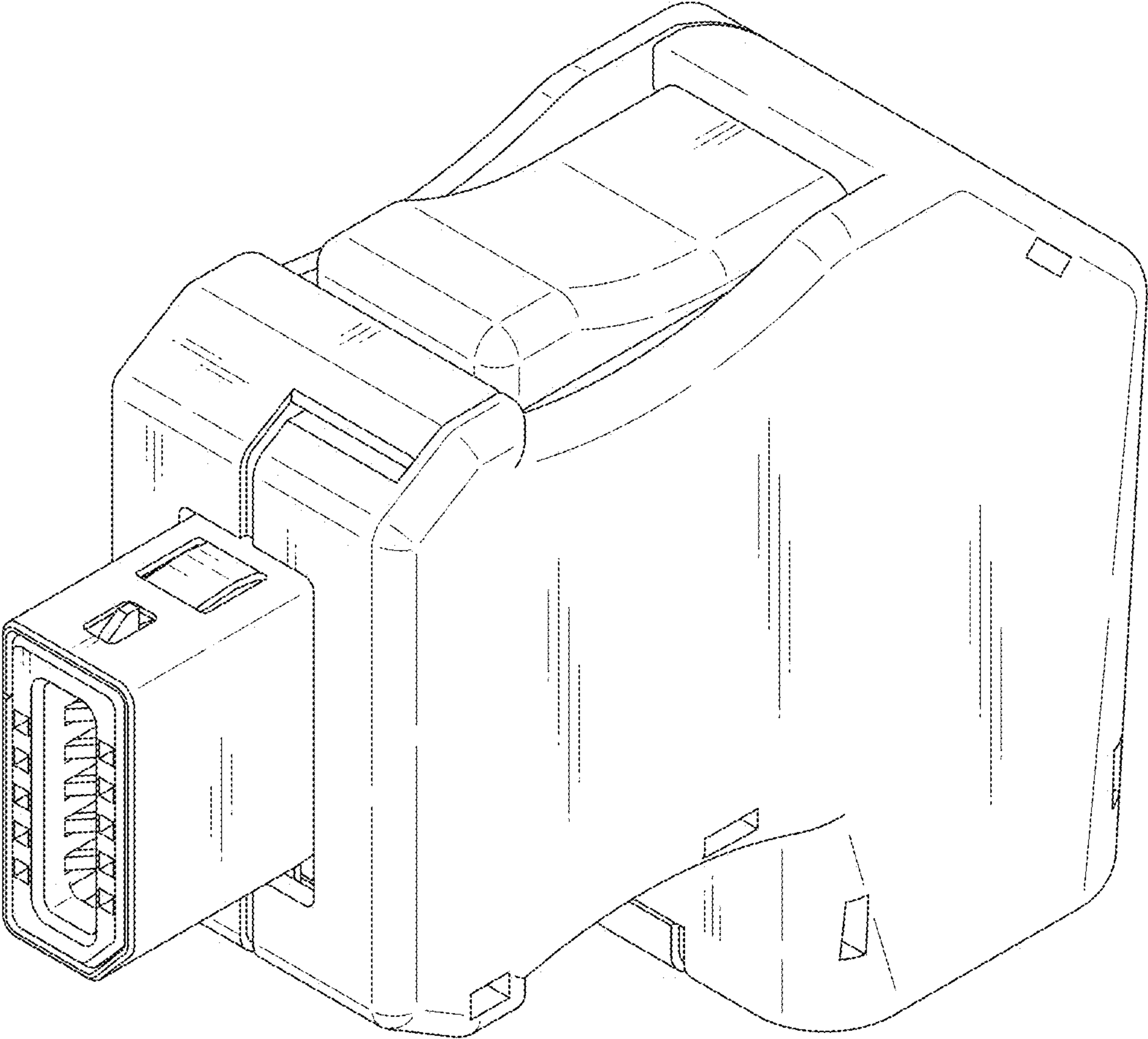


FIG. 2

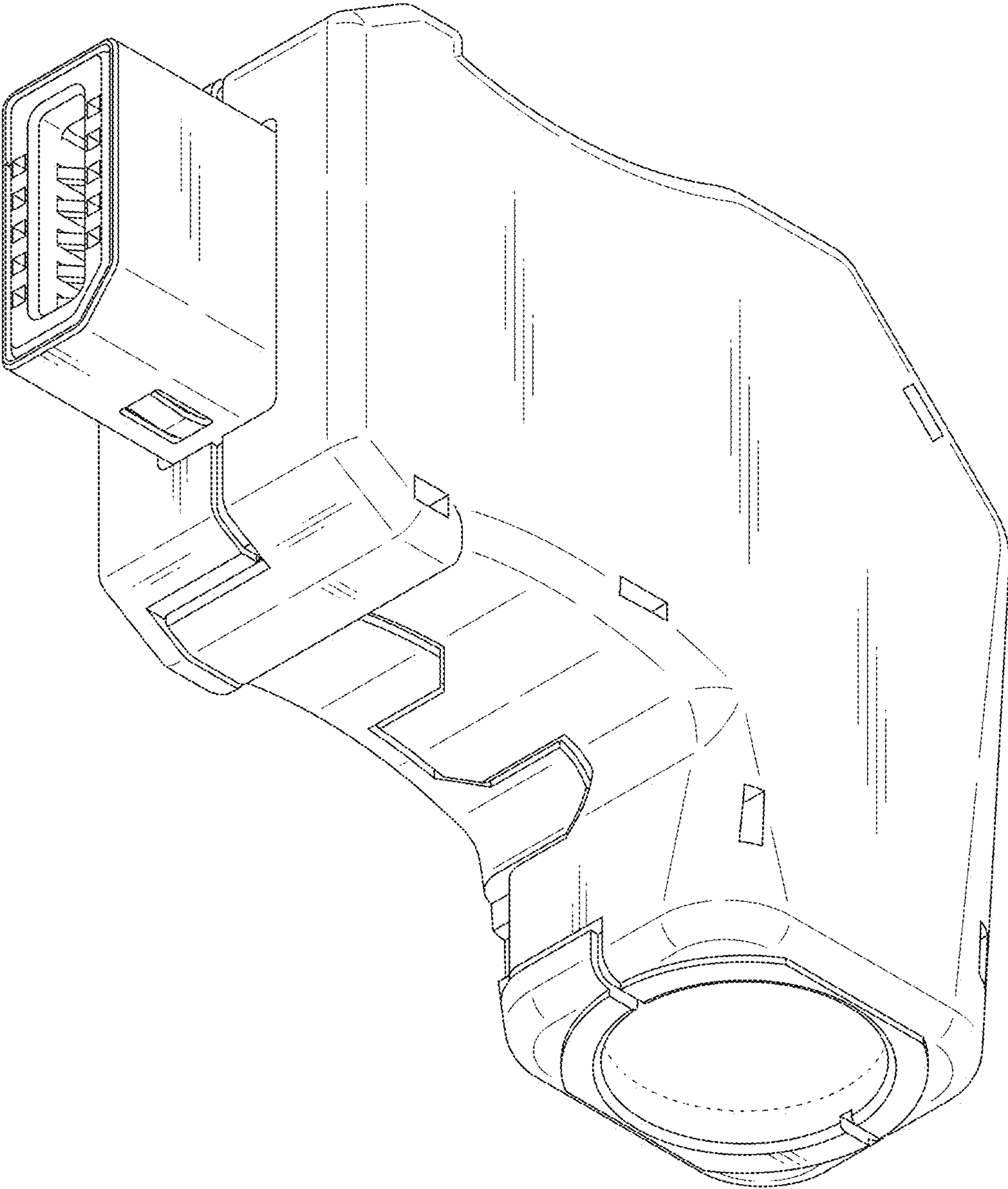


FIG. 3

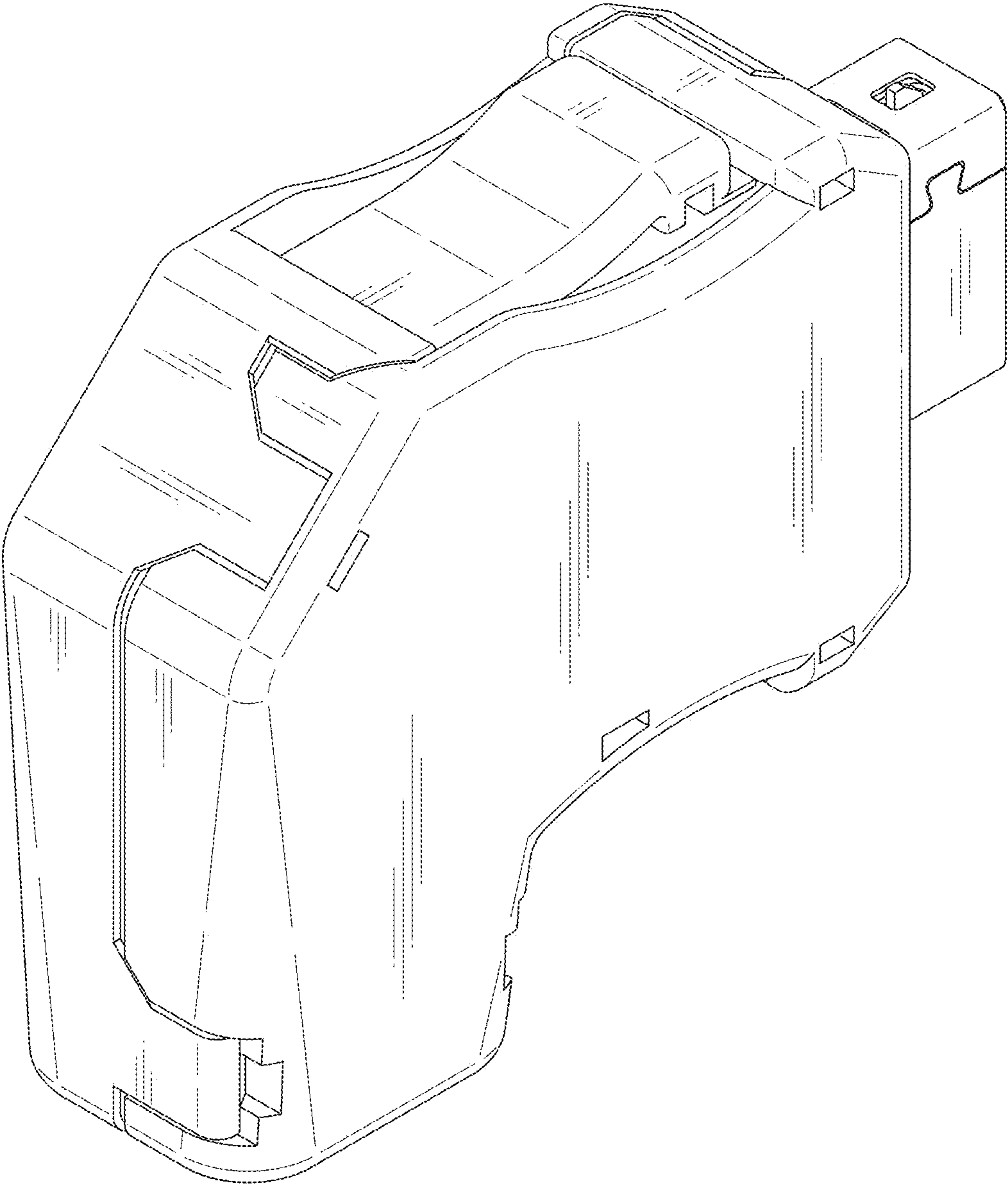


FIG. 4

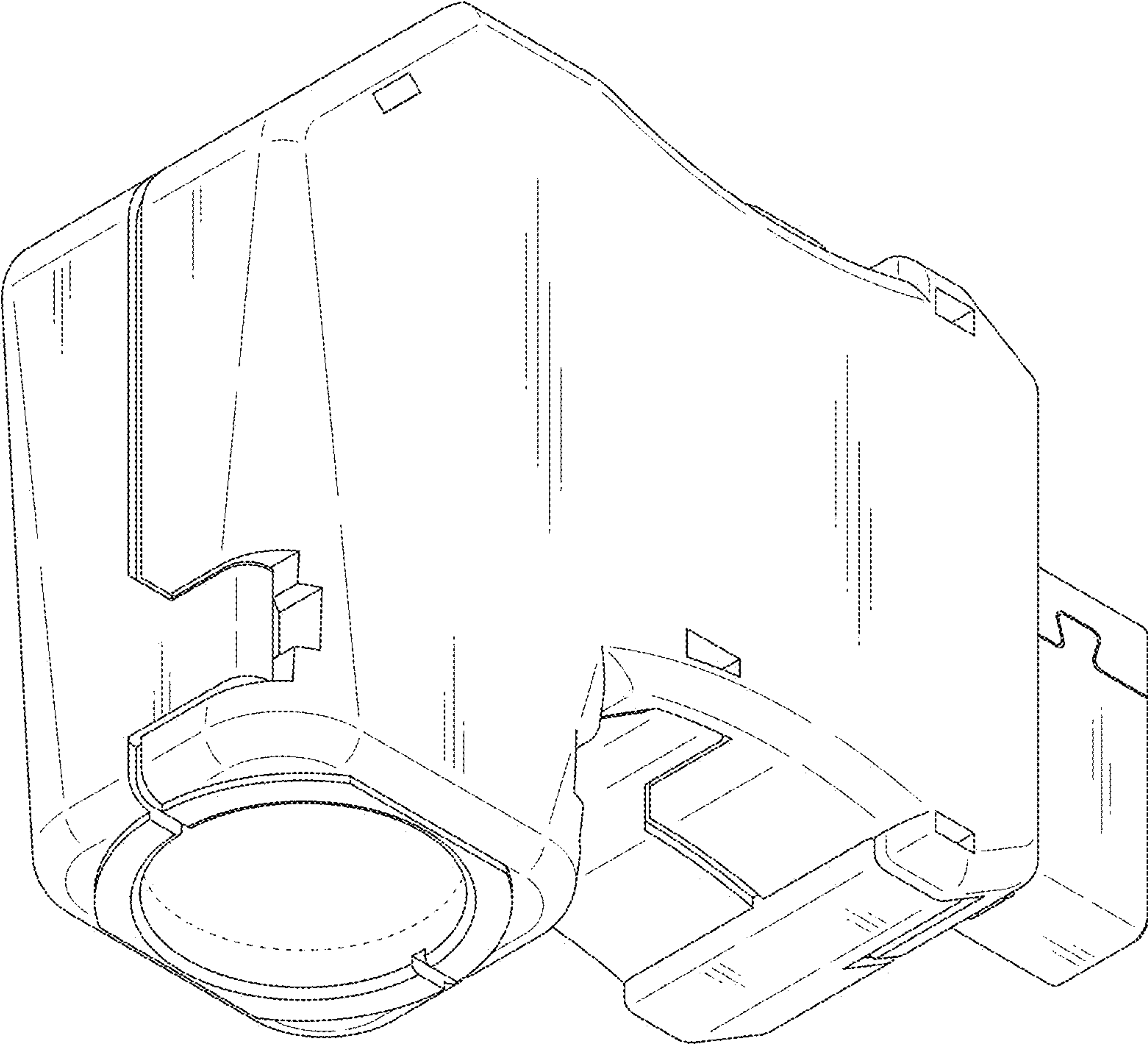


FIG. 5

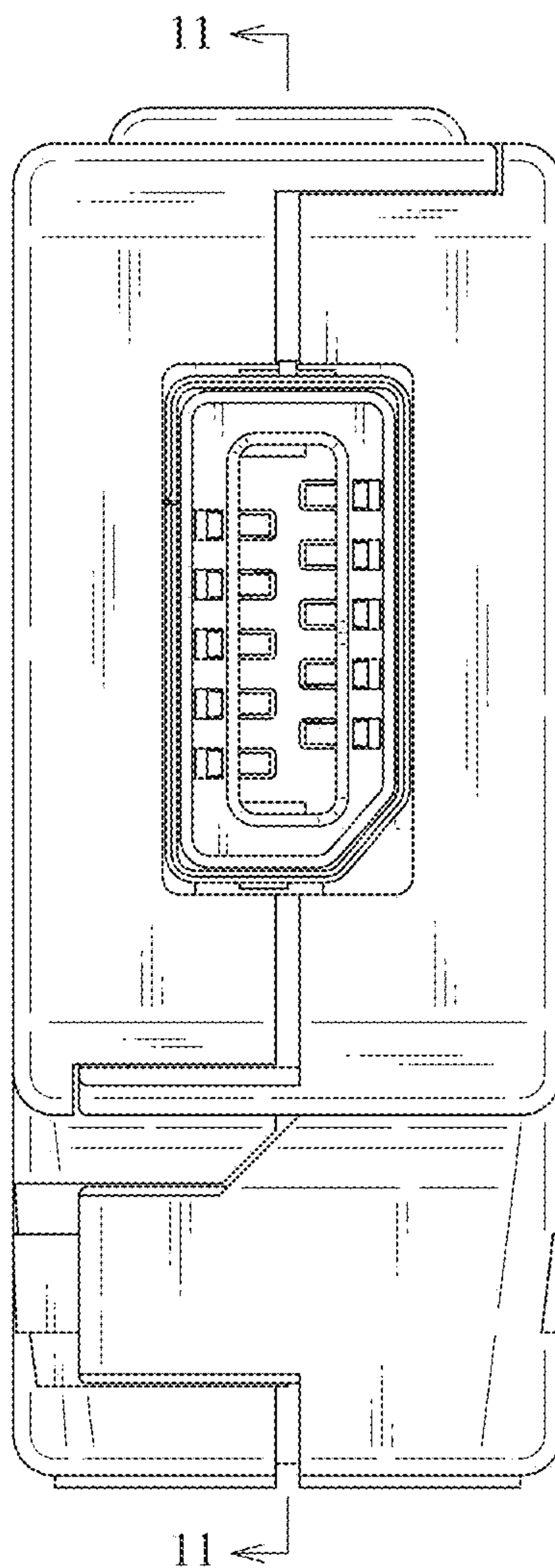


FIG. 6

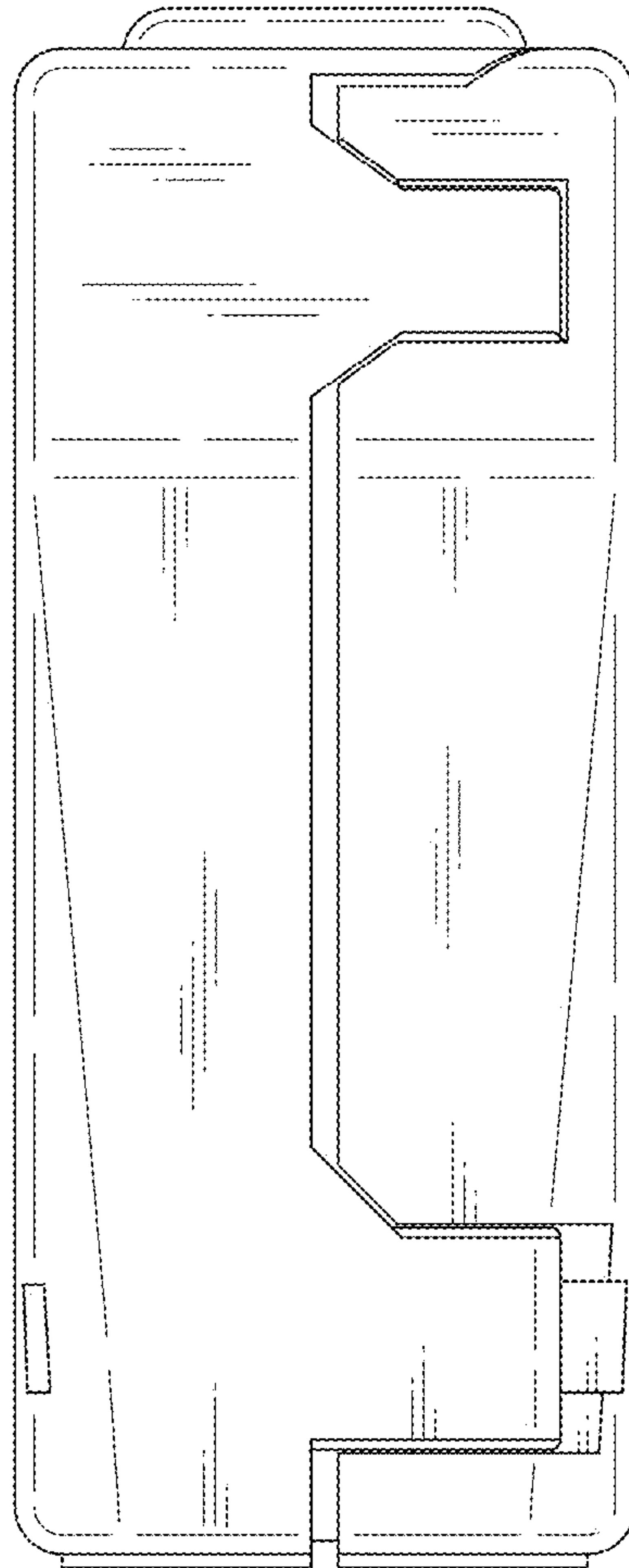


FIG. 7

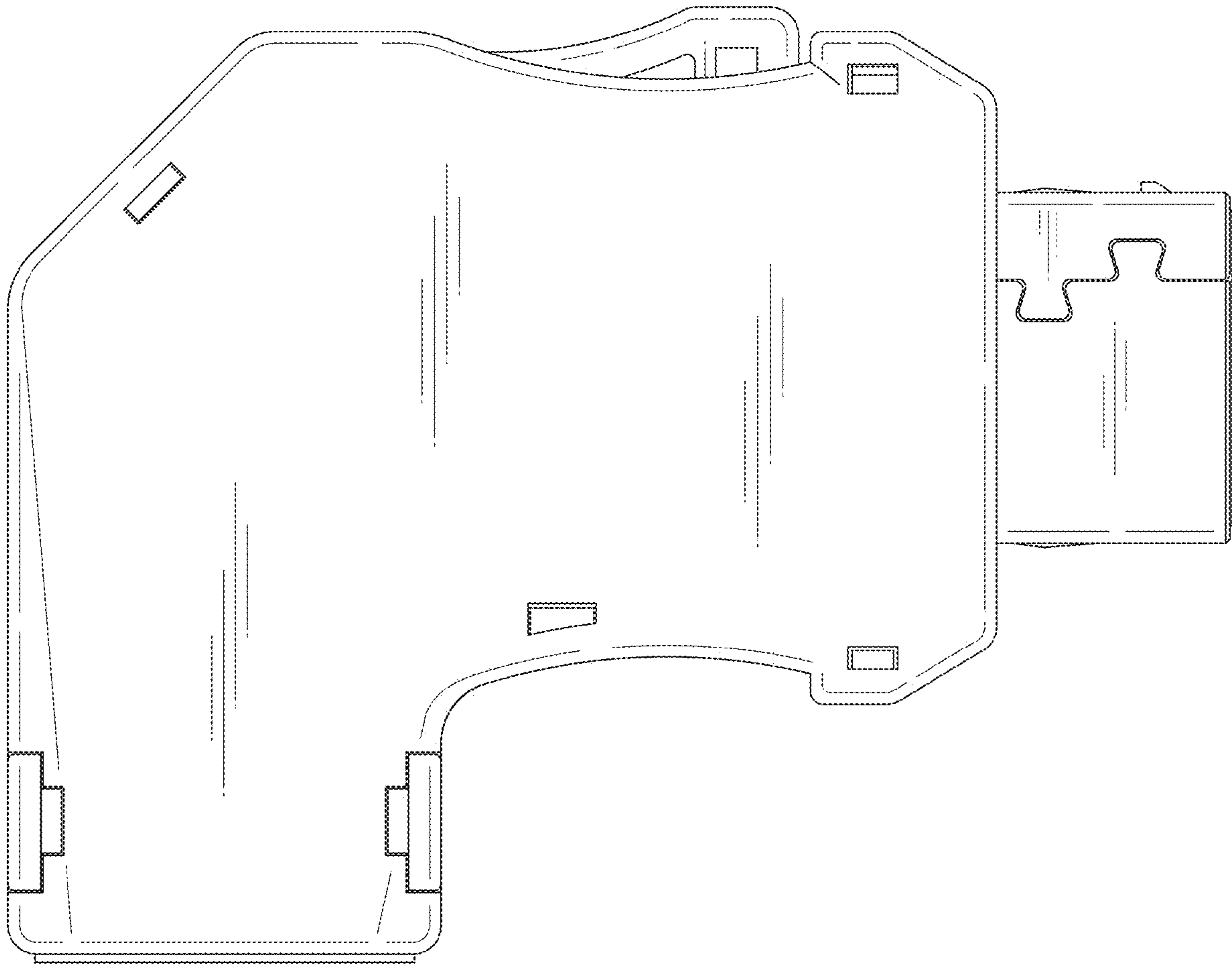


FIG. 8

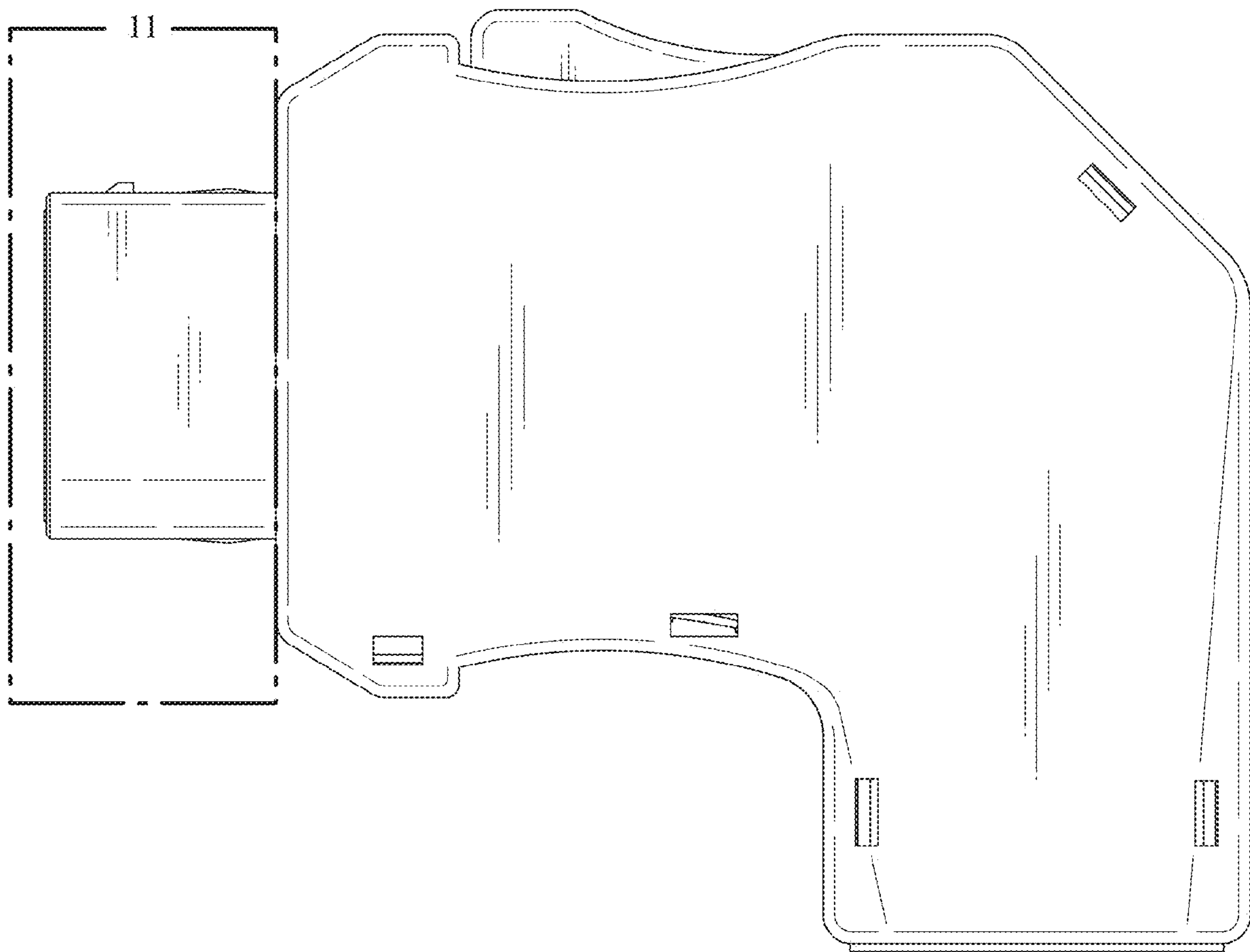


FIG. 9

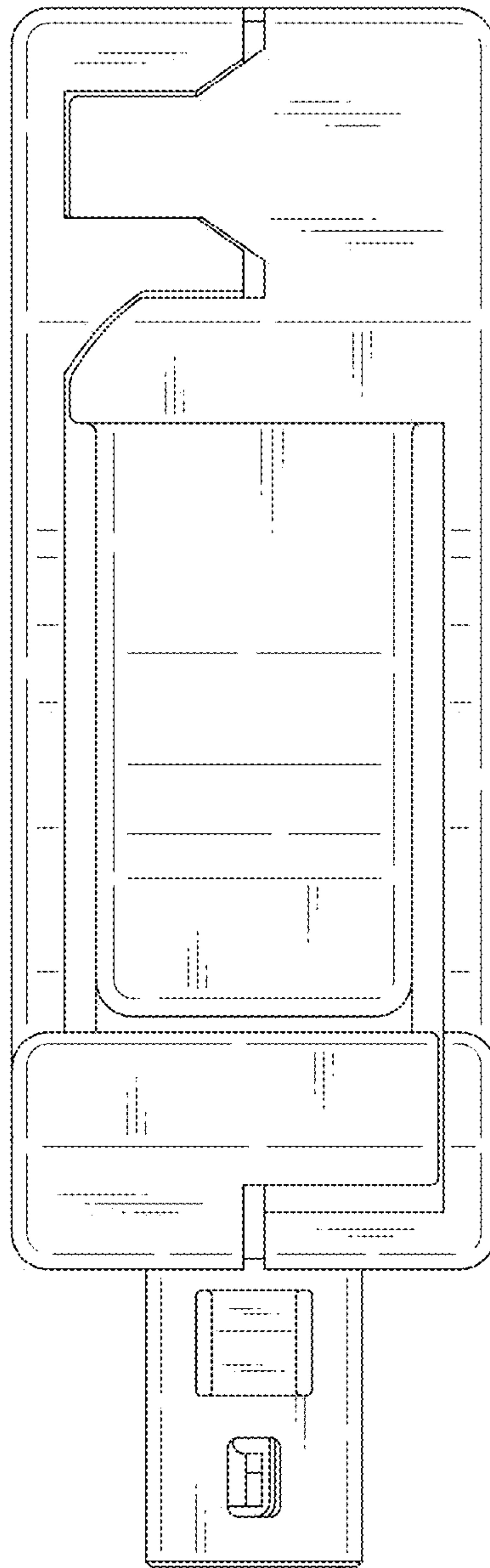


FIG. 10

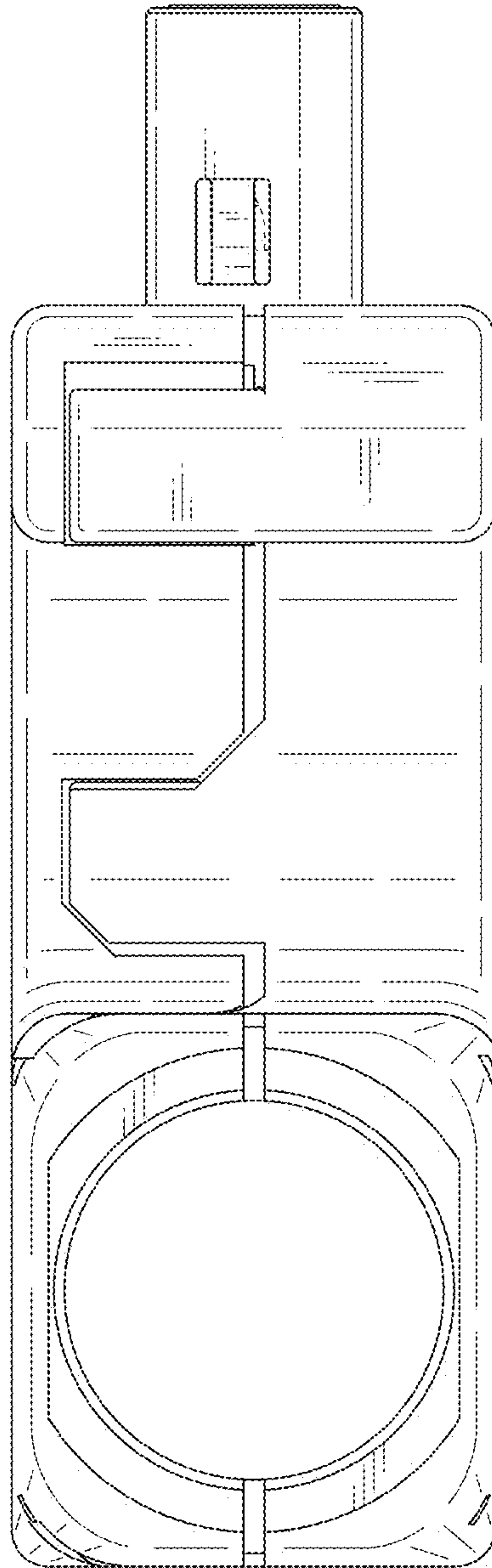


FIG. 11

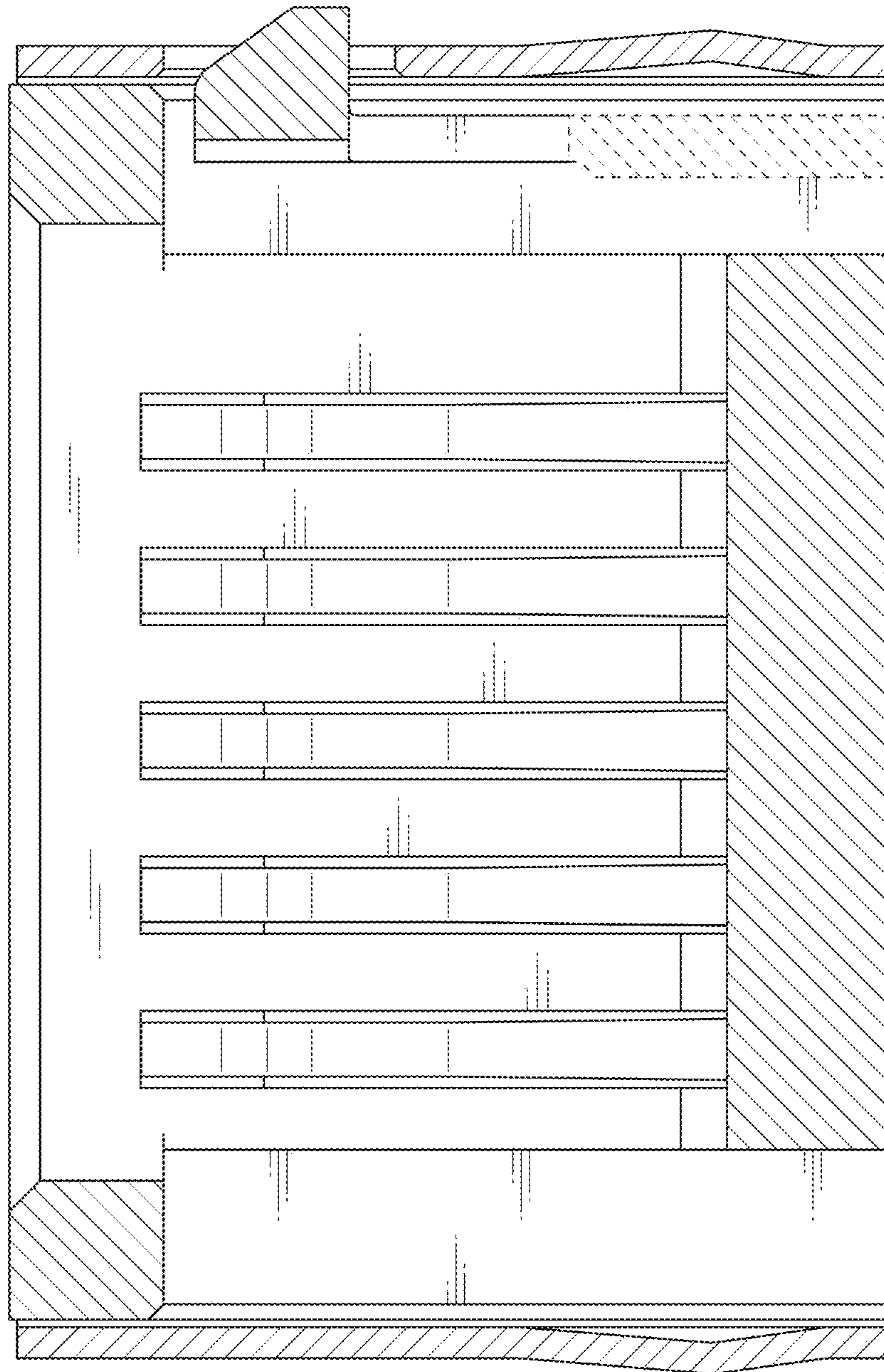


FIG. 12

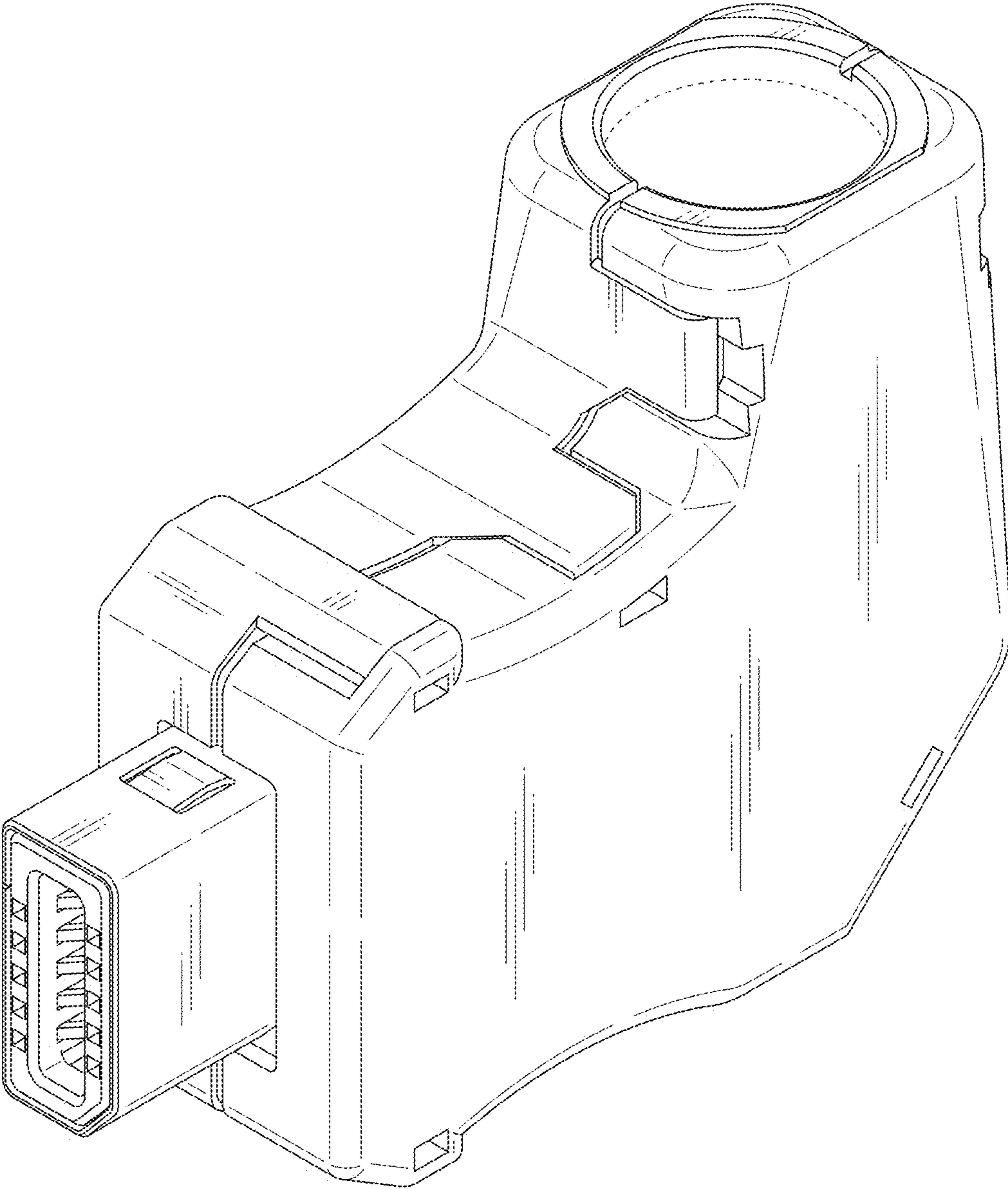


FIG. 13

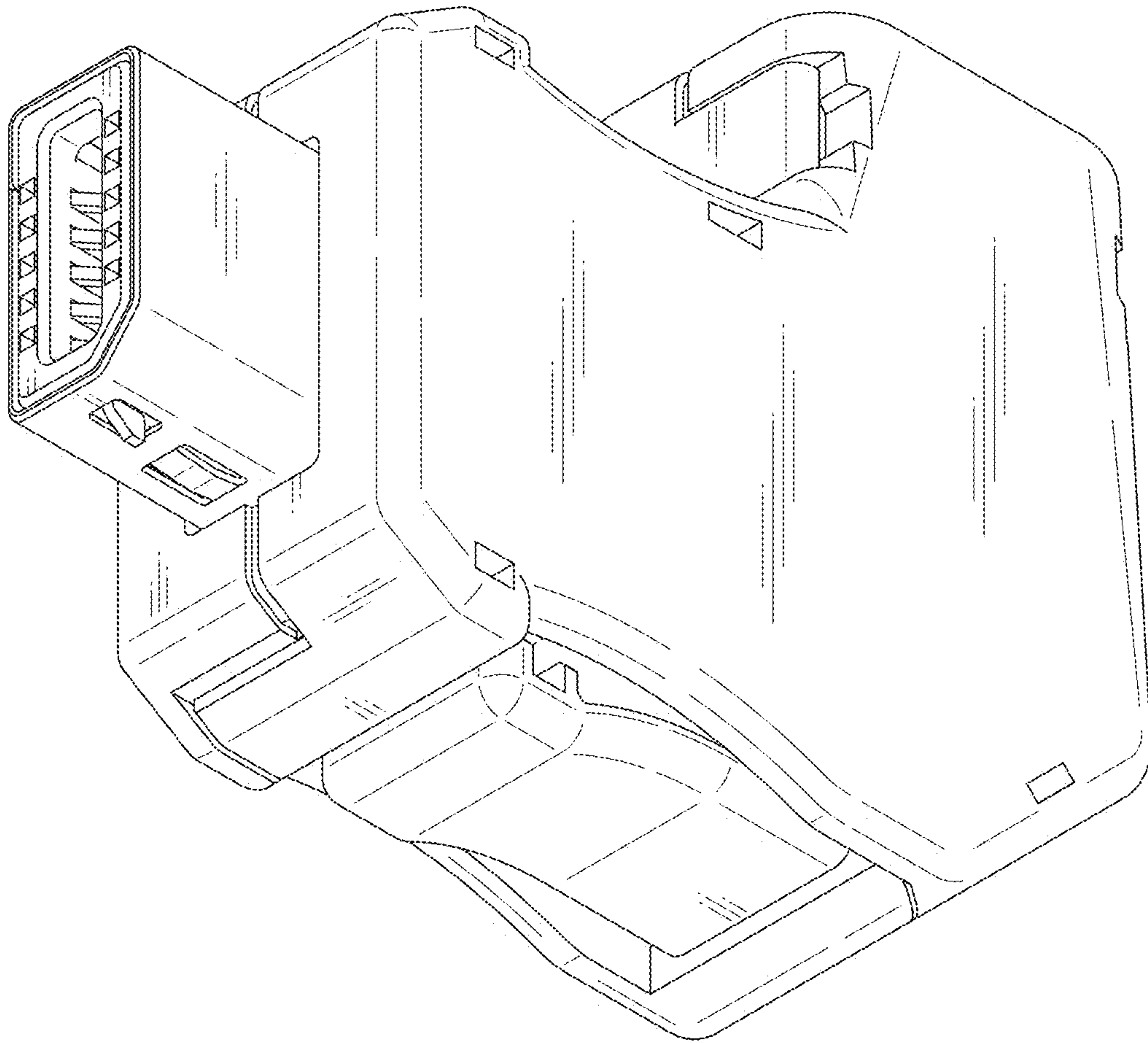


FIG. 14

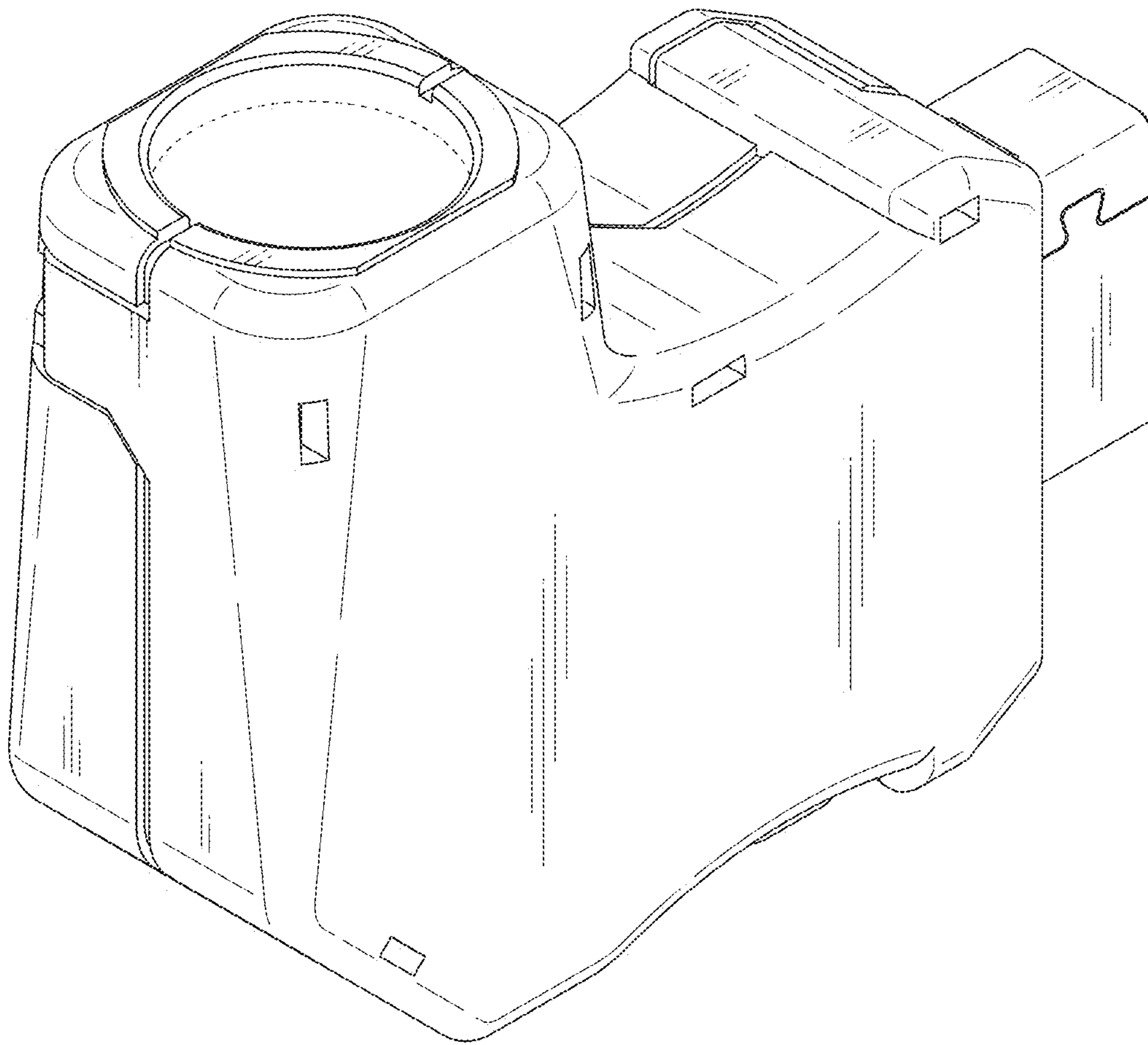


FIG. 15

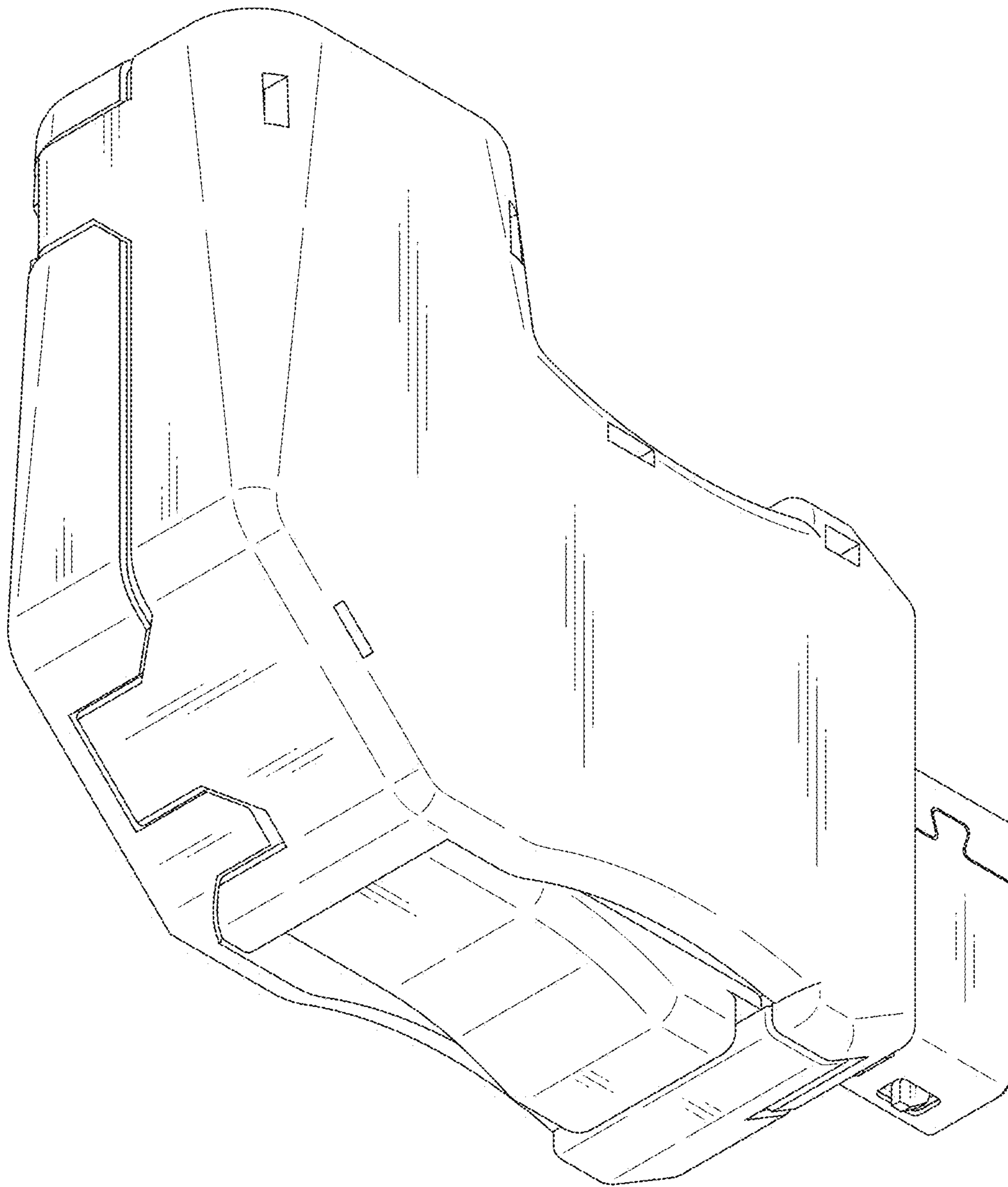


FIG. 16

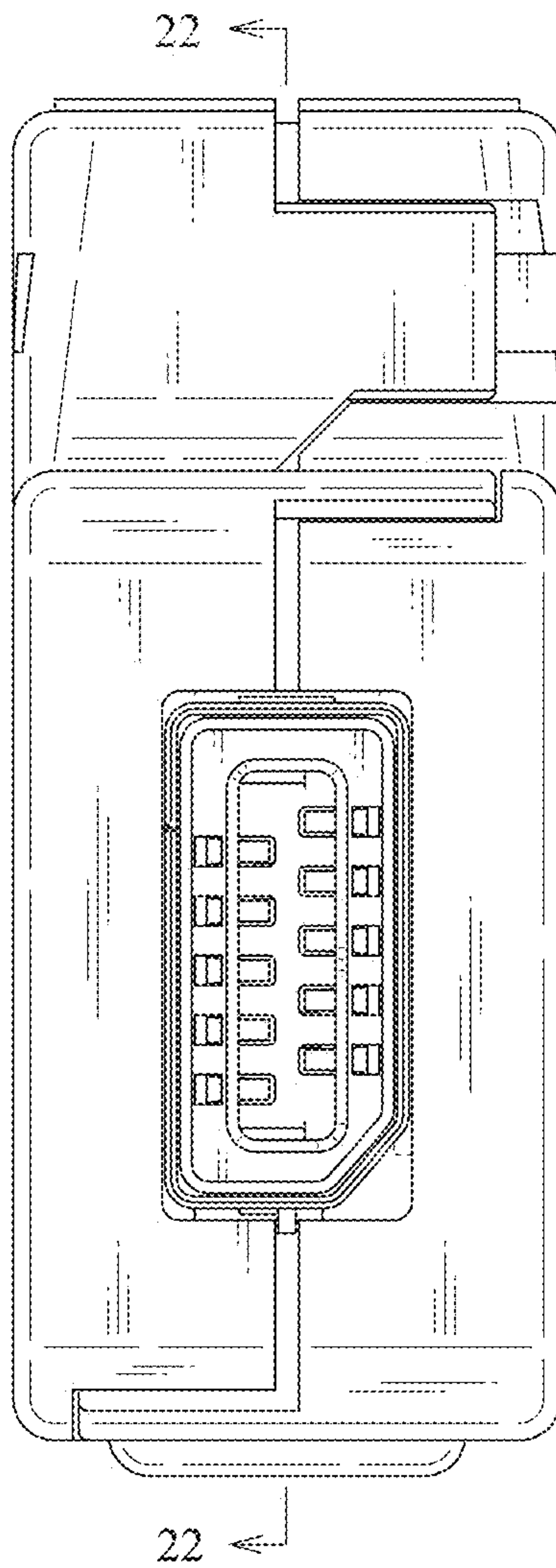


FIG. 17

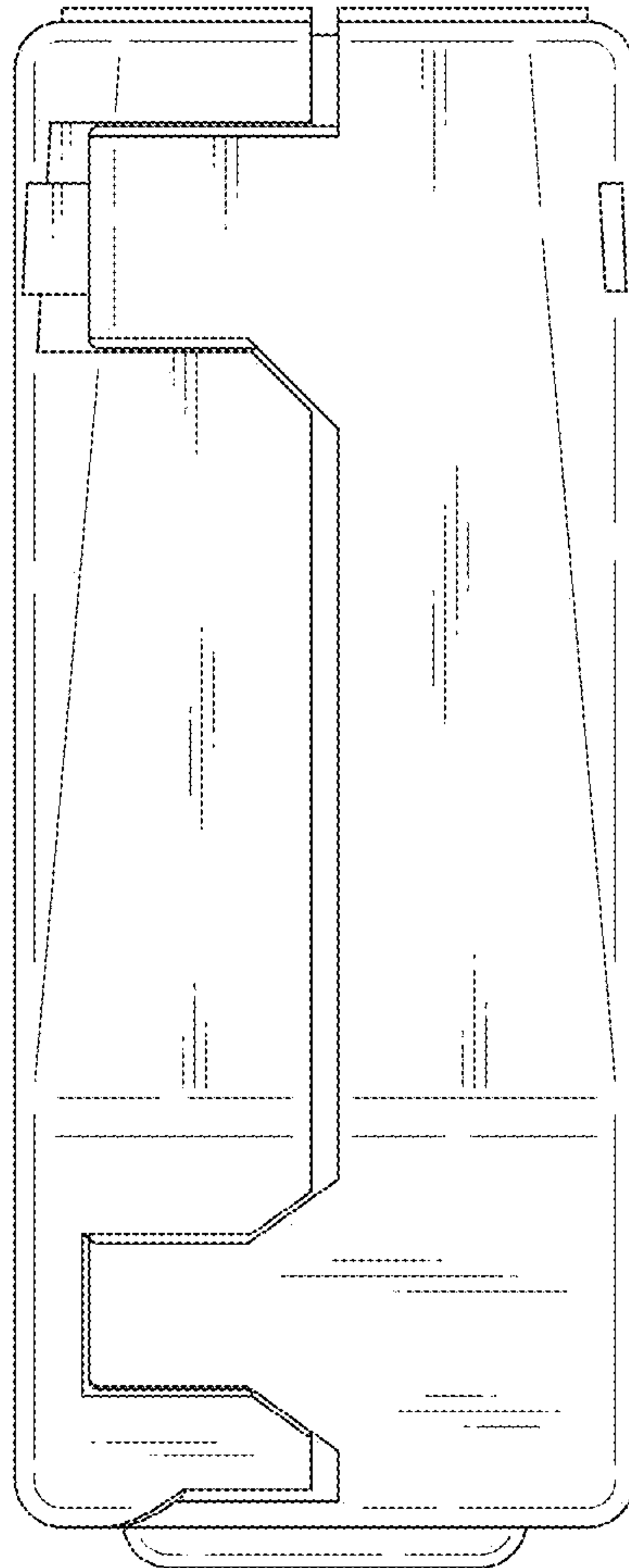


FIG. 18

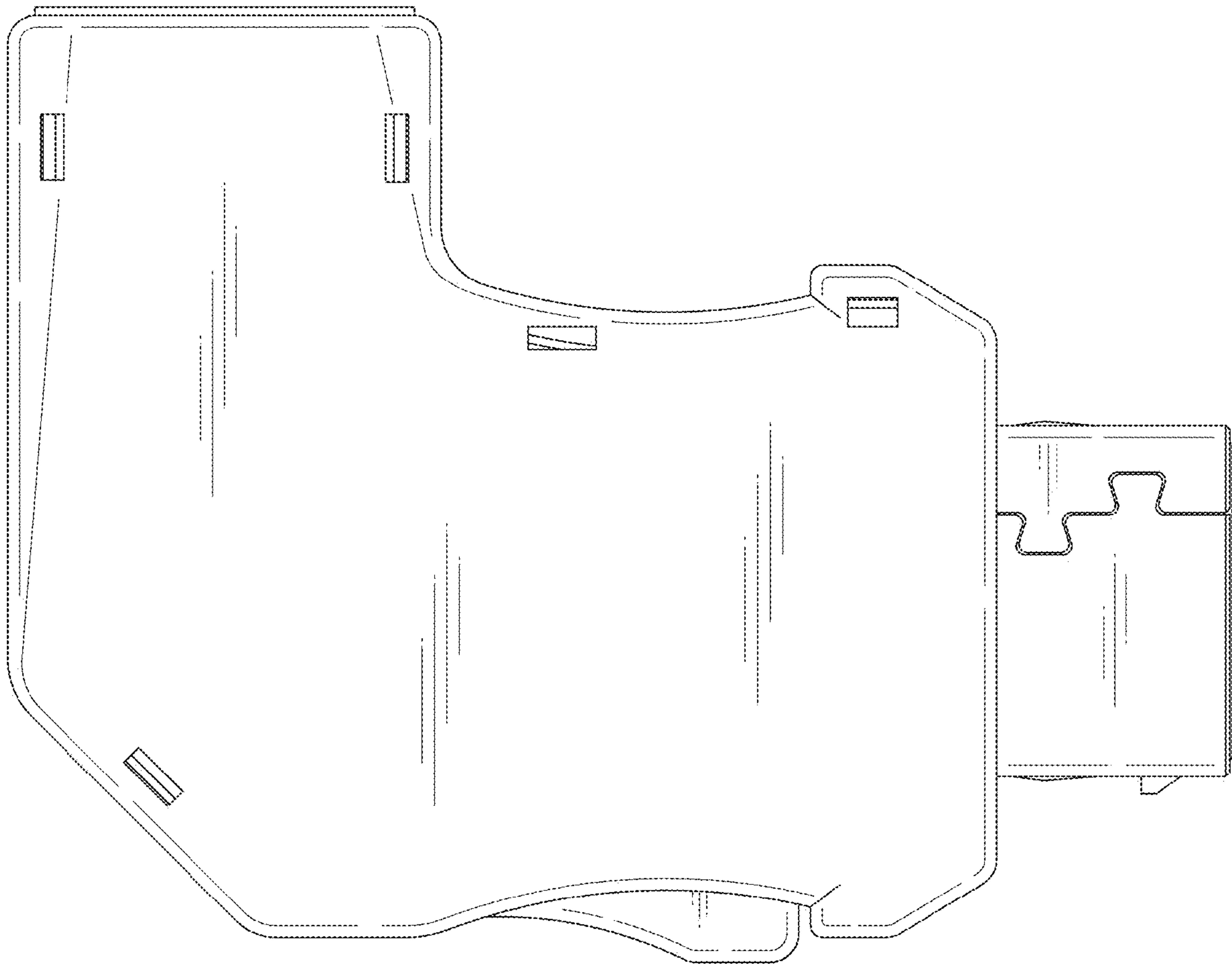


FIG. 19

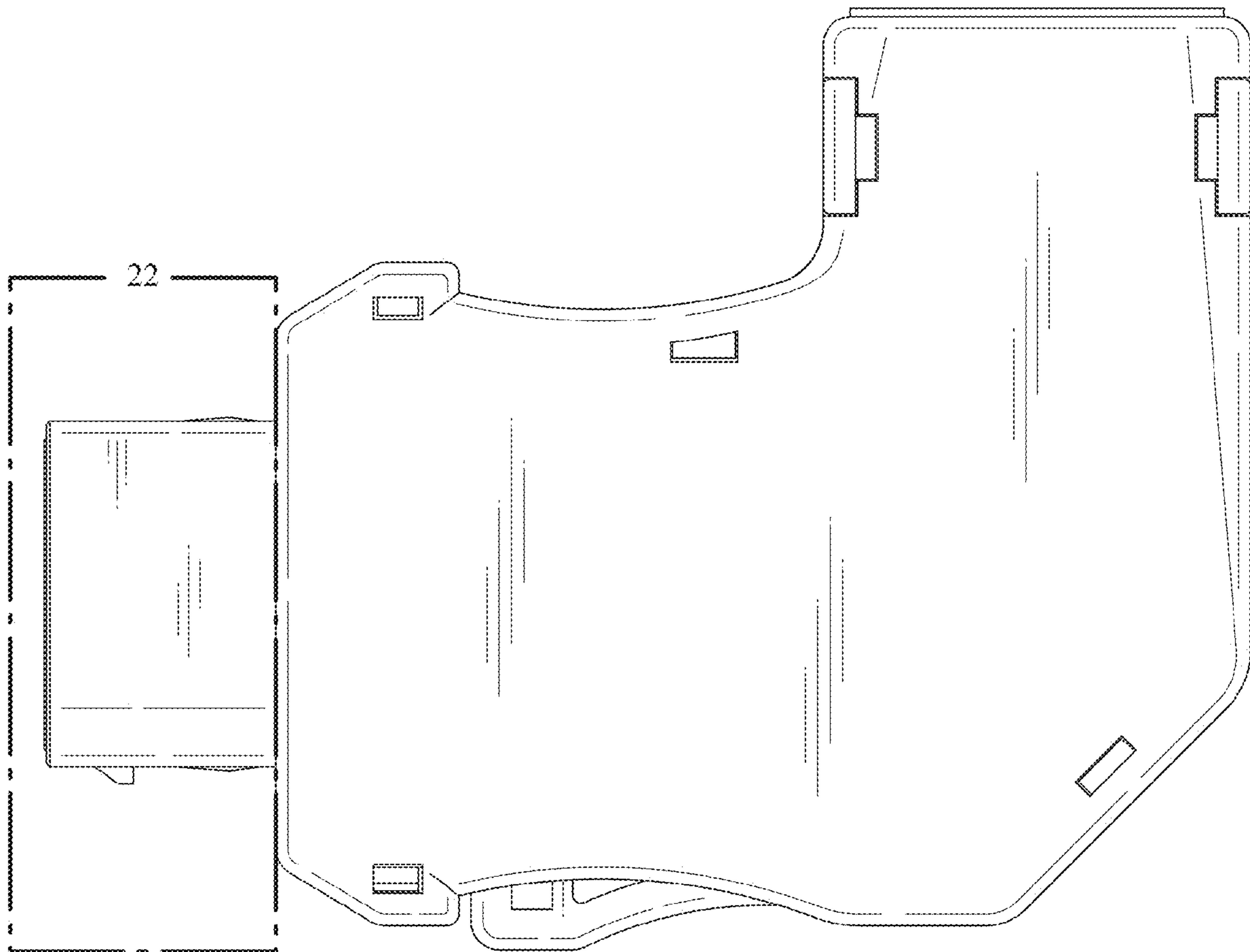


FIG. 20

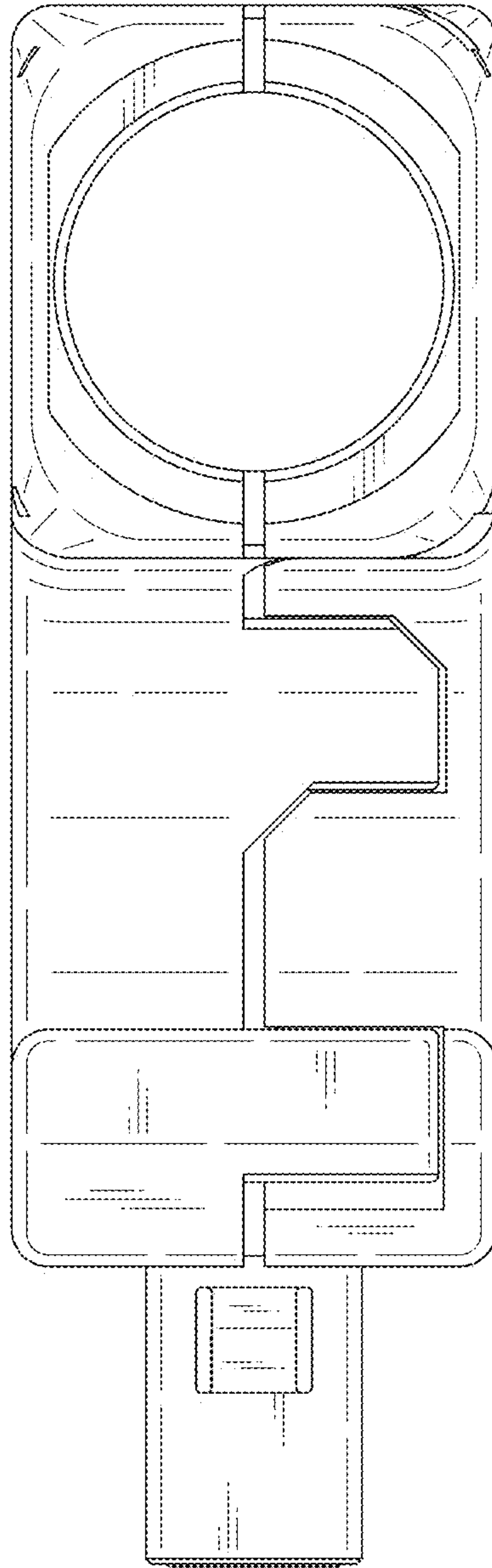


FIG. 21

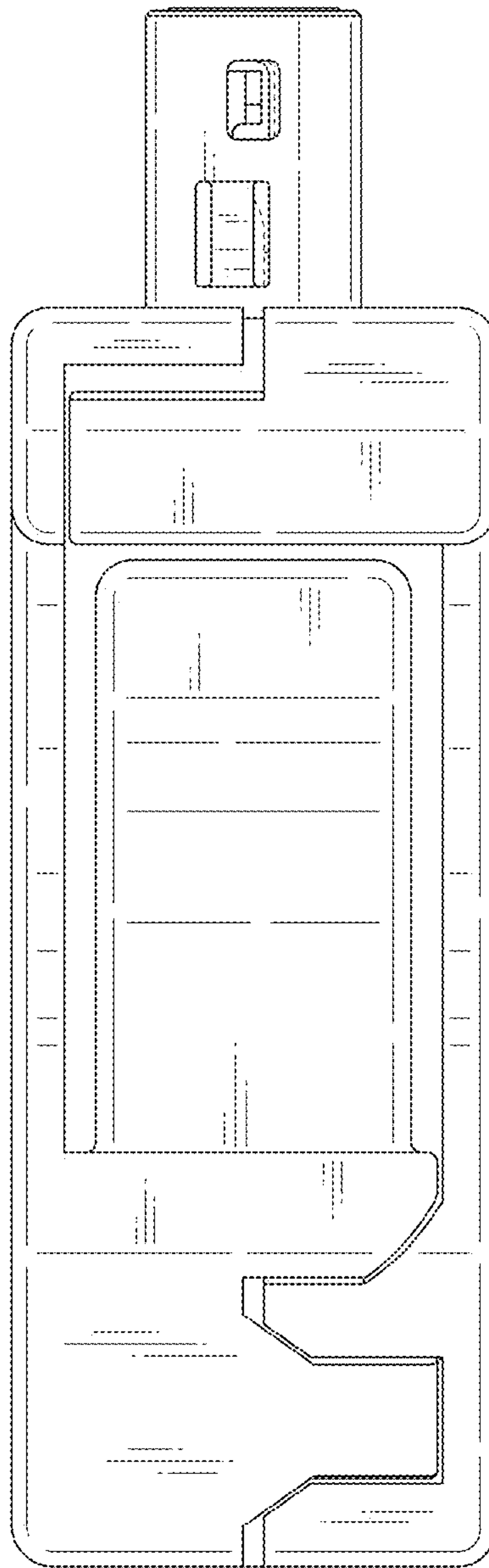


FIG. 22

