



US00D896758S

(12) **United States Design Patent** (10) **Patent No.:** **US D896,758 S**
Watkins et al. (45) **Date of Patent:** **** Sep. 22, 2020**

(54) **CONNECTOR SLEEVE WITH CUTOUT**

(71) Applicant: **PPC BROADBAND, INC.**, East Syracuse, NY (US)

(72) Inventors: **Harold Watkins**, Chittenango, NY (US); **Steve Stankovski**, Clay, NY (US); **Daniel Daoust**, Syracuse, NY (US)

(73) Assignee: **PPC BROADBAND, INC.**, East Syracuse, NY (US)

(**) Term: **15 Years**

(21) Appl. No.: **29/681,169**

(22) Filed: **Feb. 22, 2019**

(51) **LOC (12) Cl.** **13-03**

(52) **U.S. Cl.**
USPC **D13/133; D13/156**

(58) **Field of Classification Search**
USPC D13/107-110, 133, 139.1-139.8, 146, D13/147, 150, 151, 154, 156, 199; D8/350, 353-356, 382, 397; D23/259, D23/262; D24/129; D14/423-433
CPC ... H01R 4/24; H01R 4/22; H01R 9/05; H01R 25/00; H01R 25/003; H01R 25/006; H01R 9/00; H01R 11/00; H01R 13/5845; H01R 13/72; H01R 13/46
See application file for complete search history.

(56) **References Cited**

U.S. PATENT DOCUMENTS

4,165,911	A	8/1979	Laudig	
D302,729	S *	8/1989	Stephens	D24/129
D360,400	S *	7/1995	Pitcher	D13/133
D371,342	S *	7/1996	Lundback	D13/151
6,109,964	A	8/2000	Kooiman	
D458,904	S *	6/2002	Montena	D13/154
D460,739	S *	7/2002	Fox	D13/154
D460,947	S *	7/2002	Montena	D13/154

7,128,605	B2	10/2006	Montena	
D584,235	S *	1/2009	Montena	D13/133
D600,210	S *	9/2009	Snyder	D13/133
D603,802	S *	11/2009	Amidon	D13/133
D610,998	S *	3/2010	Purdy	D13/151
D623,599	S *	9/2010	Purdy	D13/151
D640,984	S *	7/2011	Derenthal	D13/151
7,997,930	B2	8/2011	Ehret et al.	
D675,165	S *	1/2013	Chawgo	D13/151
D703,147	S *	4/2014	Hanson	D13/151

(Continued)

OTHER PUBLICATIONS

Adapter, Mar. 18, 2014, [online], [site visited Mar. 31, 2020], Available from Internet URL: <https://www.amazon.com/ . . . > (Year: 2014).*

(Continued)

Primary Examiner — Karen E Kearney
Assistant Examiner — Michael Chong
(74) *Attorney, Agent, or Firm* — MH2 Technology Law Group, LLP

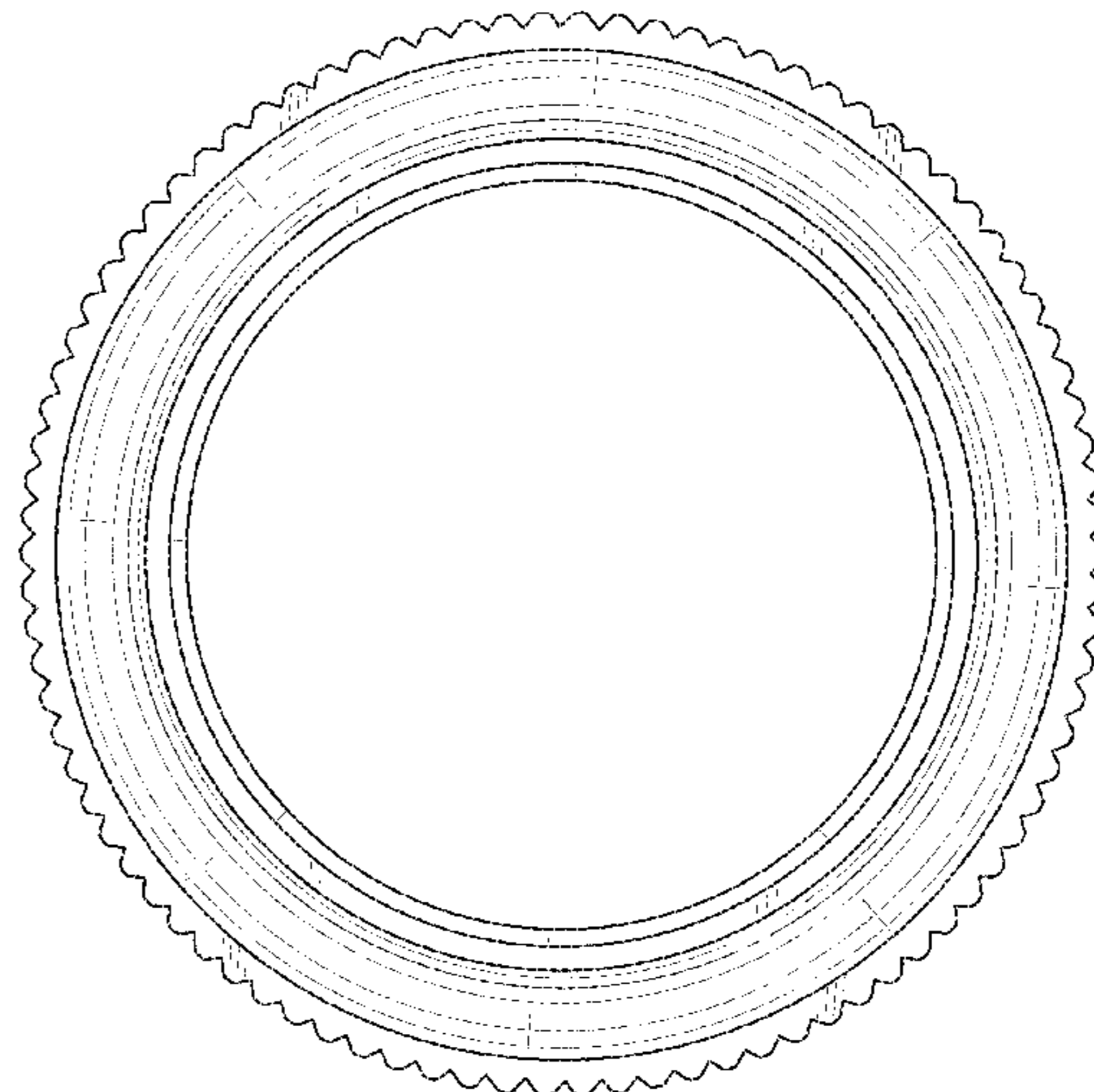
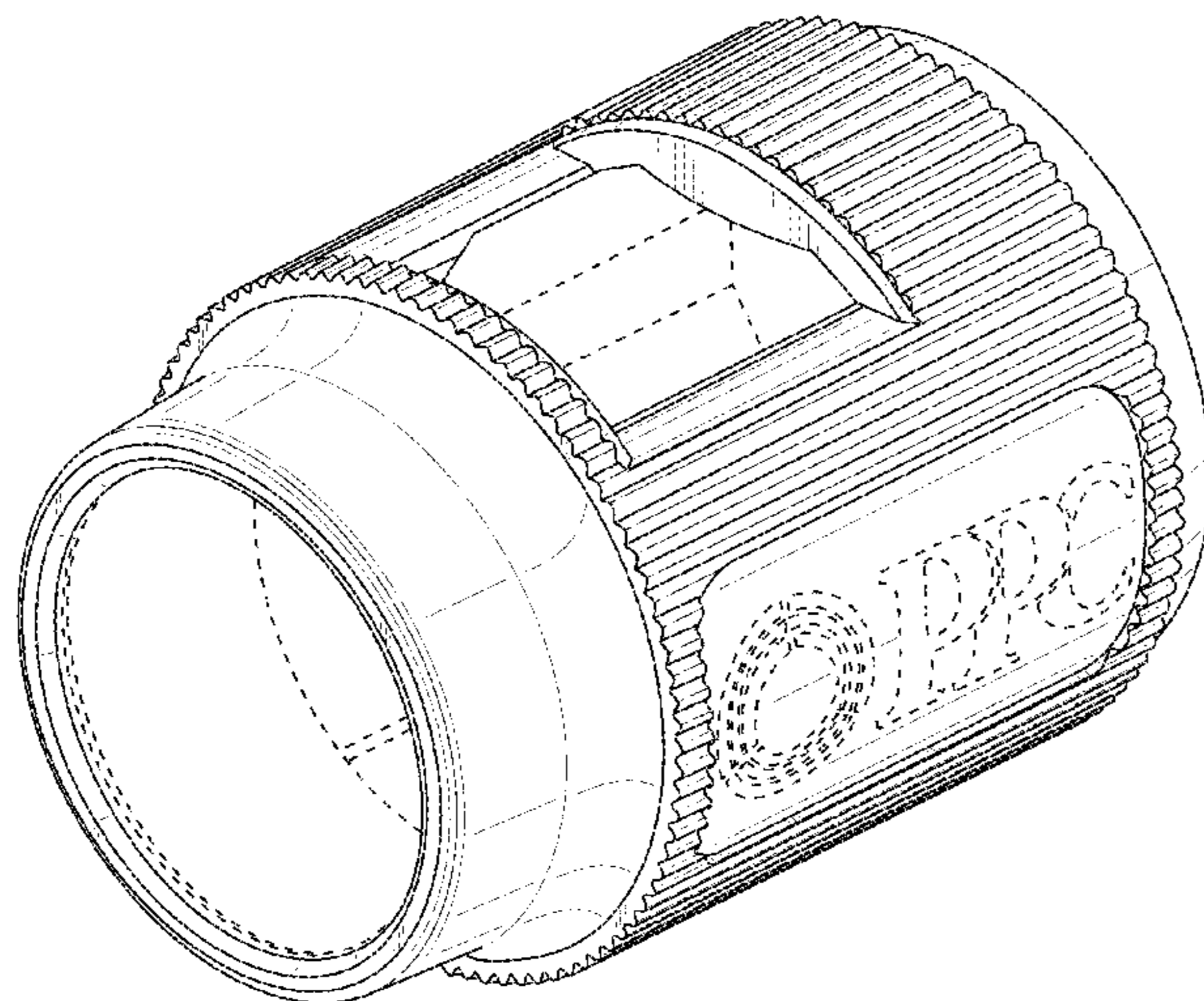
(57) **CLAIM**

The ornamental design for a connector sleeve with cutout, as shown and described.

DESCRIPTION

FIG. 1 is a front, top, left-side view of the connector sleeve with cutout;
FIG. 2 is a left-side elevational view thereof;
FIG. 3 is a right-side elevational view thereof;
FIG. 4 is a top plan view thereof;
FIG. 5 is a bottom plan view thereof;
FIG. 6 is a front elevational view thereof; and,
FIG. 7 is a rear elevational view thereof.
The broken lines in the drawings depict portions of the connector sleeve with cutout that form no part of the claimed design.

1 Claim, 7 Drawing Sheets



(56)

References Cited

U.S. PATENT DOCUMENTS

D746,447 S * 12/2015 Wheeler D24/129
D784,529 S * 4/2017 Steele D24/129
D810,024 S * 2/2018 Watkins D13/133
D810,025 S * 2/2018 Watkins D13/133
D810,684 S * 2/2018 Watkins D13/133
D810,685 S * 2/2018 Watkins D13/133
D834,532 S * 11/2018 Maroney D13/154
D837,743 S * 1/2019 Maroney D13/154
D848,377 S * 5/2019 Maroney D13/154
D861,162 S * 9/2019 Gulliver D24/129
D872,024 S * 1/2020 Watkins D13/133
D872,025 S * 1/2020 Watkins D13/133
D875,051 S * 2/2020 Watkins D13/154
10,601,168 B2 * 3/2020 Onodi H01R 13/506
2006/0063426 A1 3/2006 Khemakhem et al.
2009/0163075 A1 6/2009 Blew et al.
2012/0270439 A1 10/2012 Tremba et al.
2016/0248178 A1 8/2016 Hammons et al.
2017/0271812 A1 * 9/2017 Blunt H01R 13/60
2018/0054017 A1 2/2018 Watkins et al.
2019/0372280 A1 12/2019 Youtsey

OTHER PUBLICATIONS

RF Connector, May 10, 2018, [online], [site visited Apr. 6, 2020],
Available from Internet URL: <<https://www.newegg.com/p/0FB-00MU-00NX2>> (Year: 2018).*

Search Report and Written Opinion issued in International Patent
Application No. PCT/US20/019558 dated Jun. 8, 2020 (13 pages).

* cited by examiner

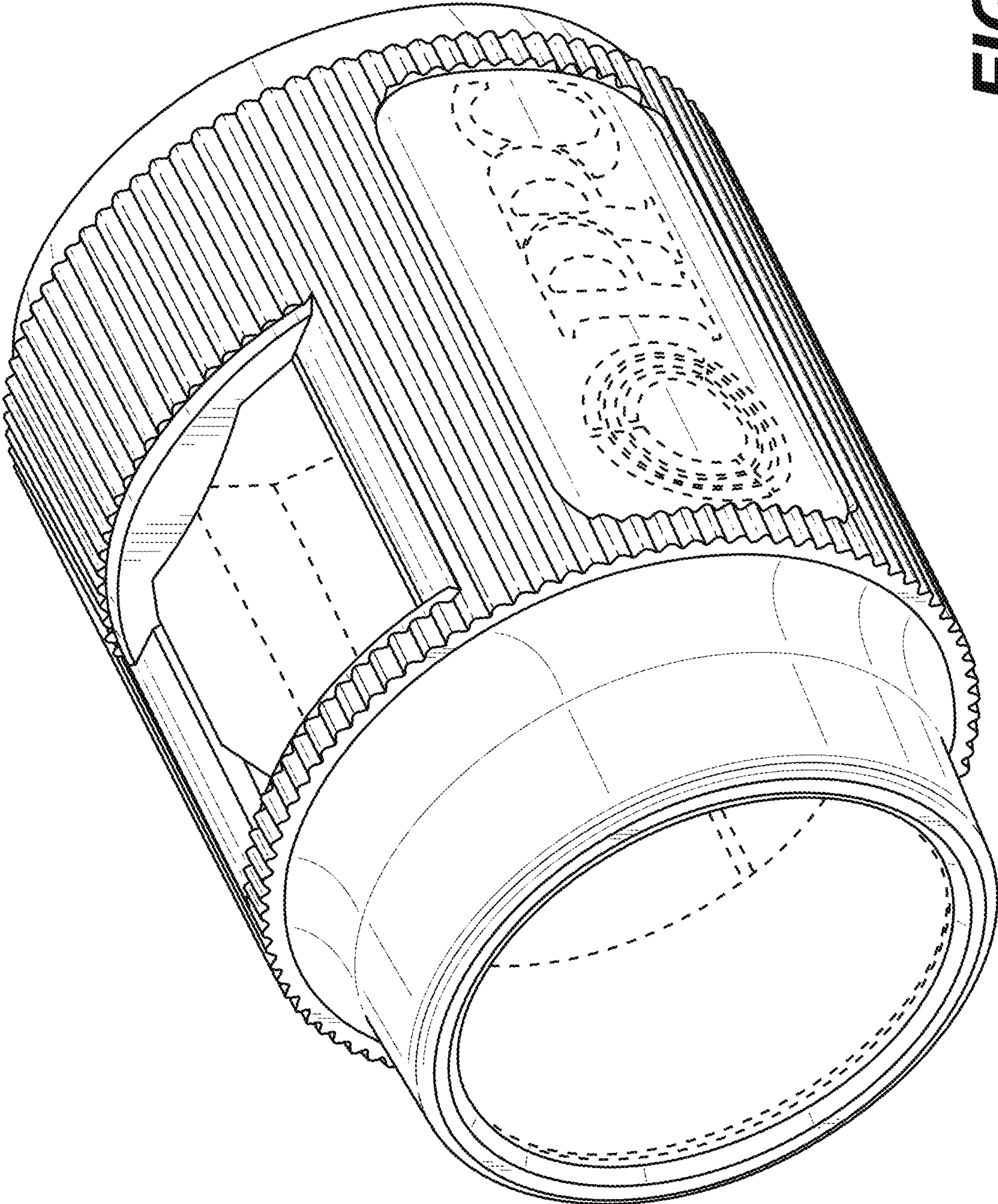


FIG. 1

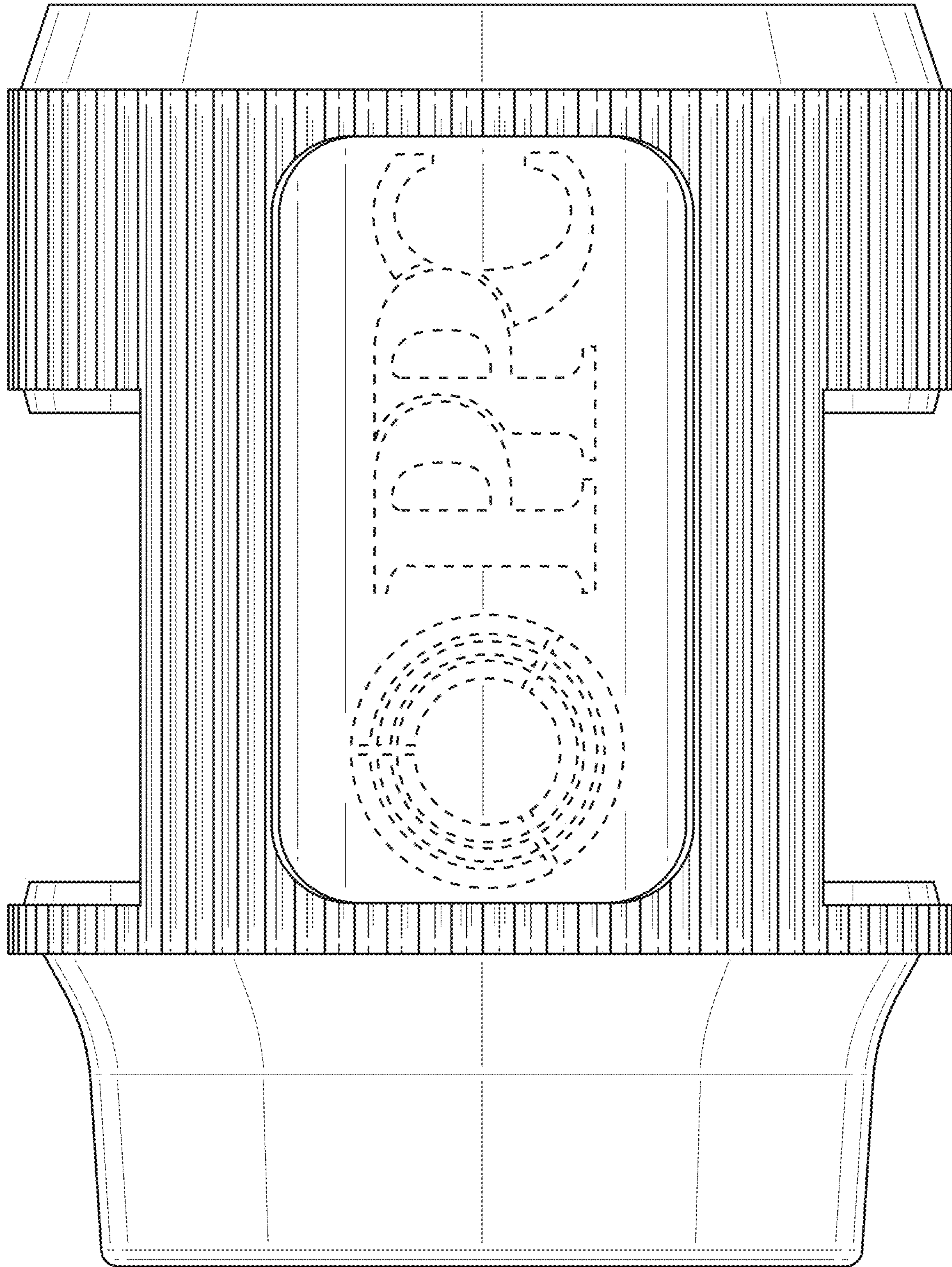


FIG. 2

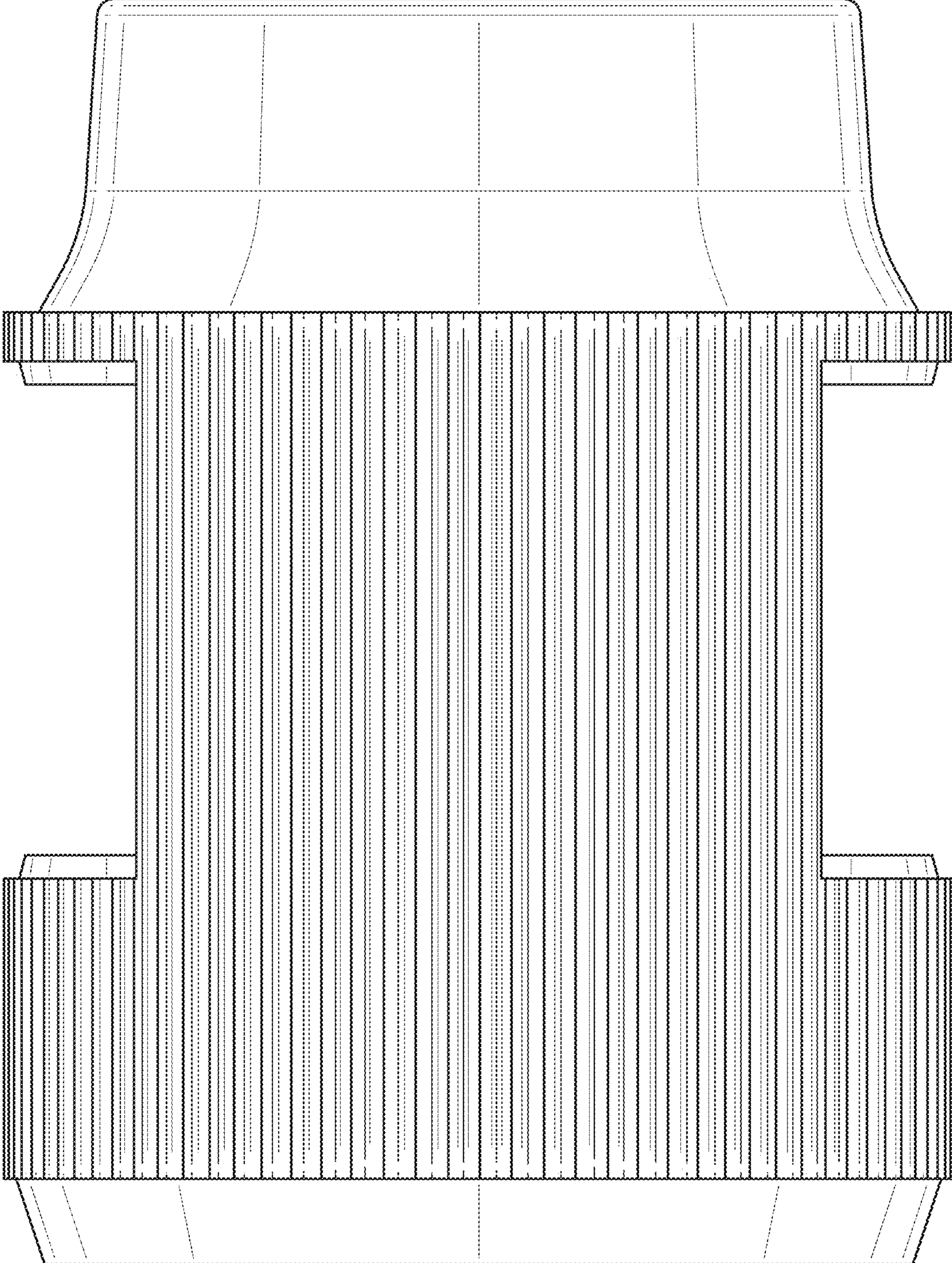


FIG. 3

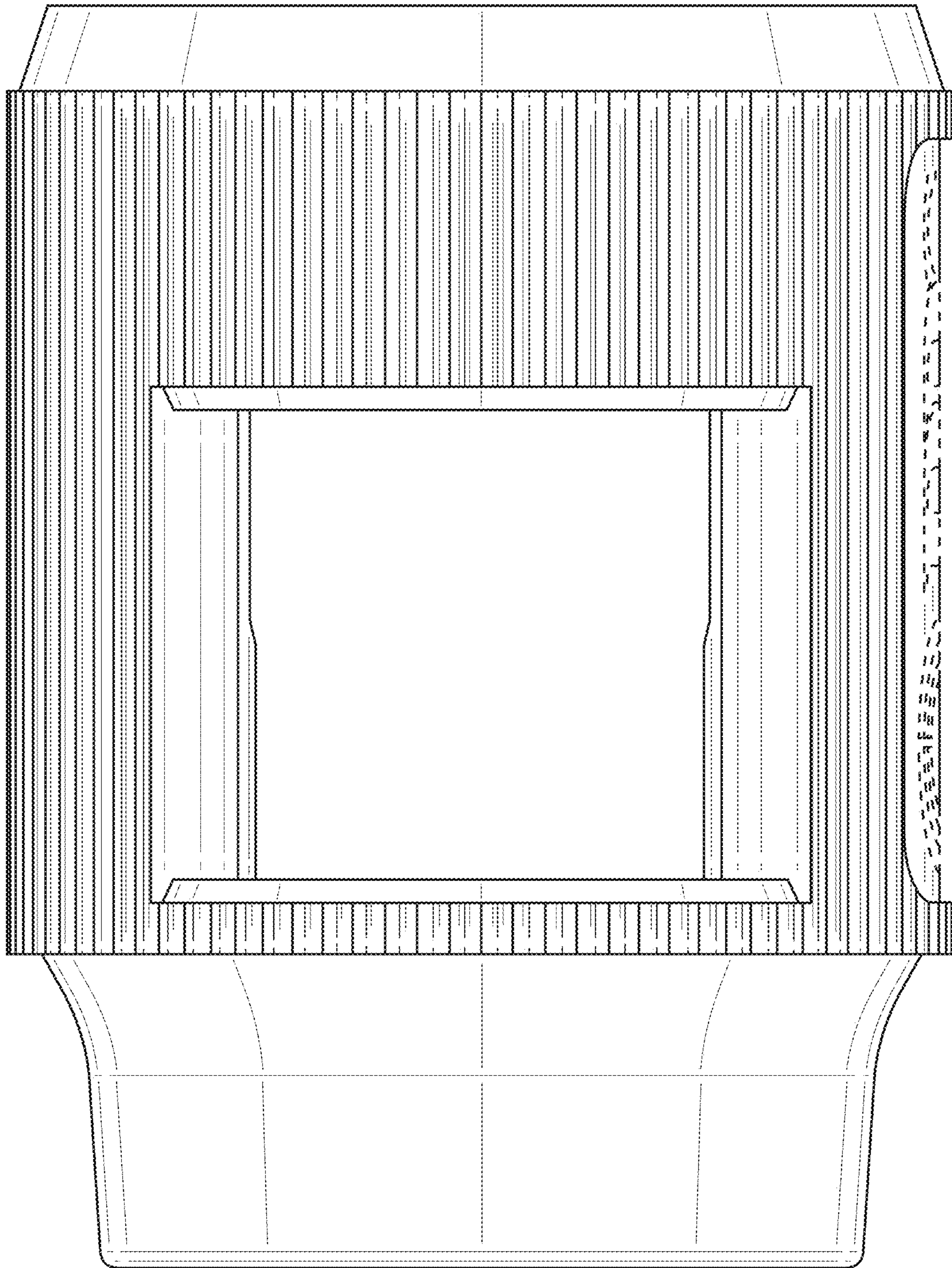


FIG. 4

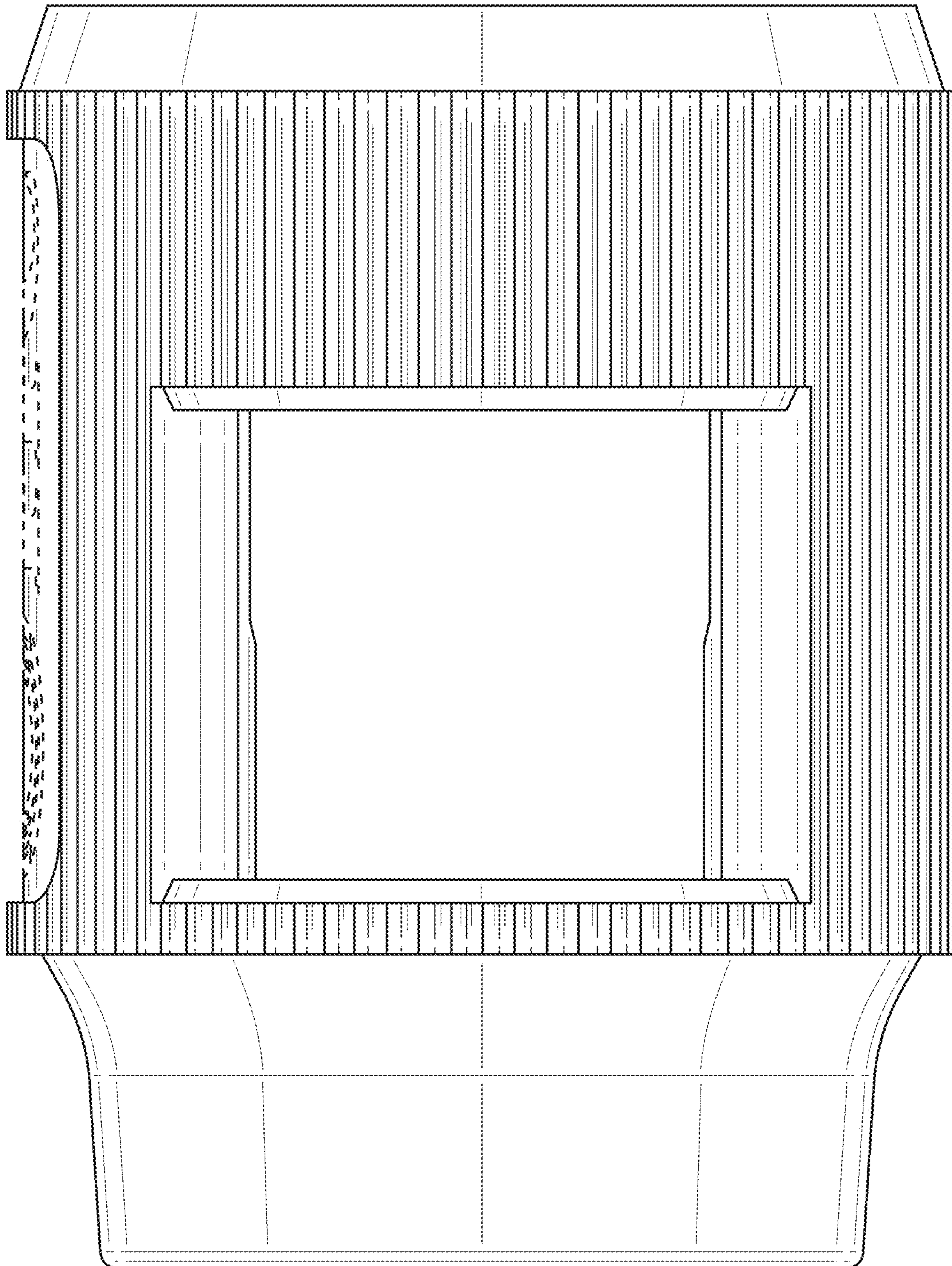


FIG. 5

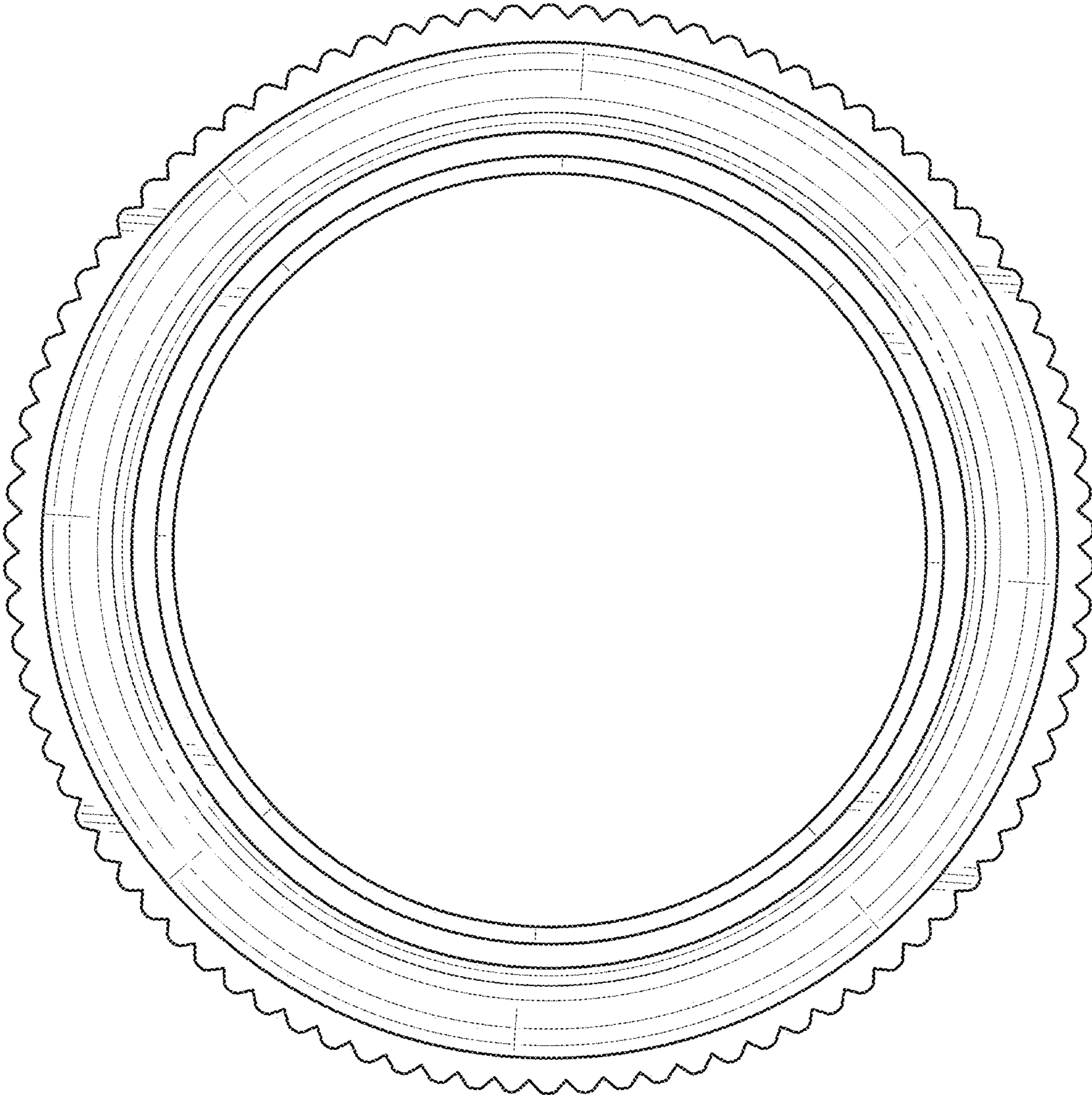


FIG. 6

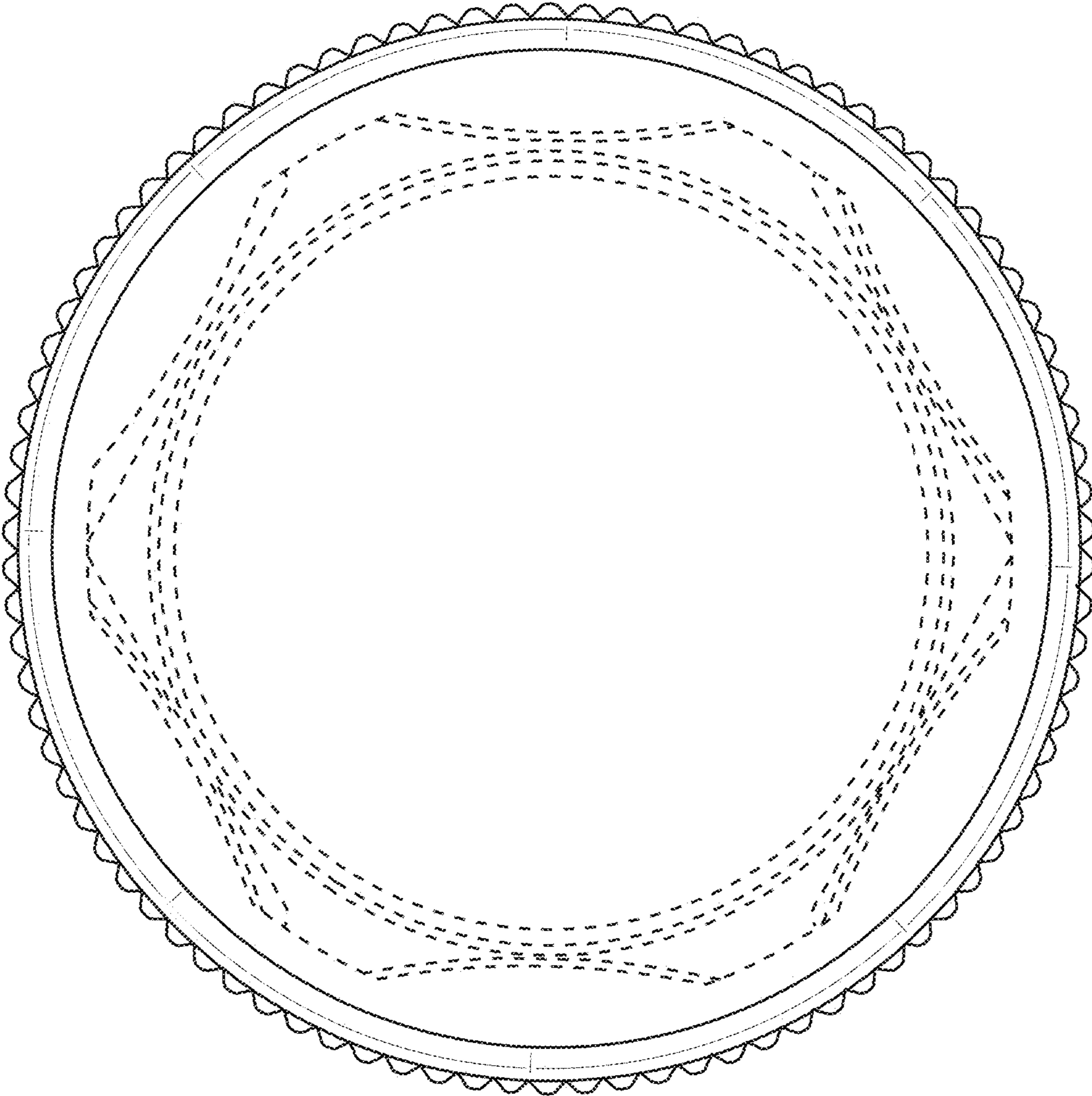


FIG. 7