



US00D896756S

(12) **United States Design Patent**
Carlini

(10) **Patent No.:** **US D896,756 S**

(45) **Date of Patent:** **** Sep. 22, 2020**

(54) **STUB SHAFT**

DESCRIPTION

- (71) Applicant: **Aircraft Gear Corporation**, Loves Park, IL (US)
- (72) Inventor: **Sean M. Carlini**, Rockford, IL (US)
- (73) Assignee: **Aircraft Gear Corporation**, Loves Park, IL (US)
- (**) Term: **15 Years**
- (21) Appl. No.: **29/637,726**
- (22) Filed: **Feb. 21, 2018**
- (51) **LOC (12) Cl.** **13-01**
- (52) **U.S. Cl.**
USPC **D13/122**
- (58) **Field of Classification Search**
USPC D13/112, 101, 113–118, 122, 123, 133,
D13/162, 184, 199; D15/5, 7, 136, 143,
D15/199; D23/209, 249, 365; D12/159,
D12/160, 345, 400
CPC .. F02B 63/04; H02K 3/24; H02K 3/47; F16H
2025/2034; F16H 25/20; F28F 3/12;
B60K 17/22; B60K 17/35; B60K 17/344;
B62D

(Continued)

(56) **References Cited**

U.S. PATENT DOCUMENTS

- 4,014,184 A 3/1977 Stark
- 4,421,497 A 12/1983 Federmann et al.

(Continued)

Primary Examiner — Derrick E Holland

(74) *Attorney, Agent, or Firm* — John V. Daniluck;
Dentons Bingham Greenebaum LLP

(57) **CLAIM**

The ornamental design for a stub shaft, as shown and described.

FIG. 1 is a left side elevational view of a first embodiment of a stub shaft showing my new design, the right side elevational view, top plan view, and bottom plan view being identical;

FIG. 2 is a rear end elevational view thereof;

FIG. 3 is a front end elevational view thereof;

FIG. 4 is a first perspective view thereof;

FIG. 5 is a second perspective view thereof, shown in environmental use;

FIG. 6 is a left side elevational view of a second embodiment of a stub shaft showing my new design, the right side elevational view, top plan view, and bottom plan view being identical;

FIG. 7 is a rear end elevational view thereof;

FIG. 8 is a front end elevational view thereof;

FIG. 9 is a first perspective view thereof;

FIG. 10 is a second perspective view thereof, shown in environmental use;

FIG. 11 is a left side elevational view of a third embodiment of a stub shaft showing my new design, the right side elevational view, top plan view, and bottom plan view being identical;

FIG. 12 is a rear end elevational view thereof;

FIG. 13 is a front end elevational view thereof;

FIG. 14 is a first perspective view thereof;

FIG. 15 is a second perspective view thereof, shown in environmental use;

FIG. 16 is a left side elevational view of a fourth embodiment of a stub shaft showing my new design, the right side elevational view, top plan view, and bottom plan view being identical;

FIG. 17 is a rear end elevational view thereof;

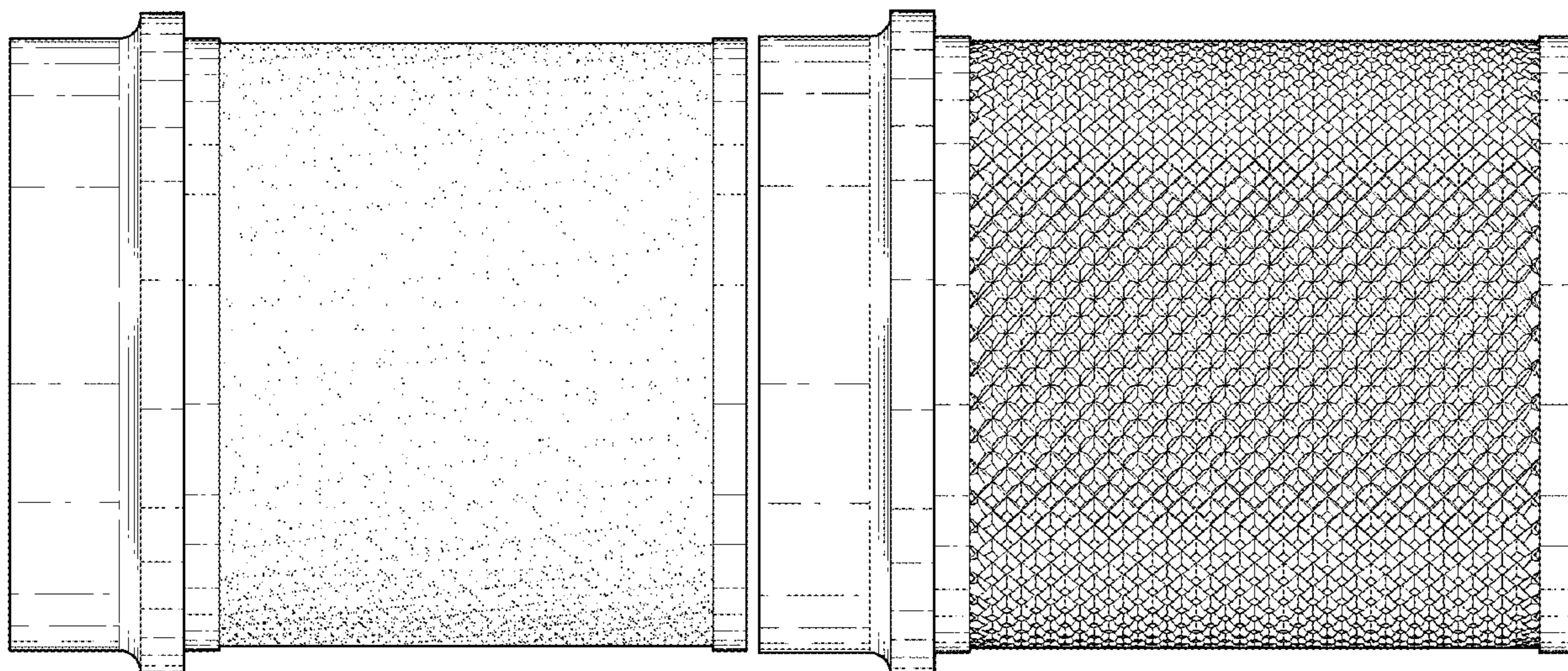
FIG. 18 is a front end elevational view thereof;

FIG. 19 is a first perspective view thereof; and,

FIG. 20 is a second perspective view thereof, shown in environmental use.

The broken lines shown represent environmental subject matter and form no part of the claimed design.

1 Claim, 16 Drawing Sheets



(58) **Field of Classification Search**

CPC 3/06; F16C 3/02; F16C 3/023; F16C
2223/02

See application file for complete search history.

(56) **References Cited**

U.S. PATENT DOCUMENTS

4,952,195 A * 8/1990 Traylor F16D 3/387
464/181
D345,420 S * 3/1994 Stewart, Sr. D15/7
5,309,620 A 5/1994 Shinohara et al.
5,601,494 A 2/1997 Duggan
6,234,907 B1 * 5/2001 Moser F16D 1/112
403/359.1
D470,216 S * 2/2003 Gustafson D23/209
D471,623 S * 3/2003 Gieseke D23/365
D479,541 S * 9/2003 Lannoch D15/148
7,485,045 B2 2/2009 Williams
7,682,256 B2 3/2010 Brace et al.
8,161,619 B2 4/2012 Wanthal
8,246,478 B2 8/2012 Schreiber et al.
8,430,759 B2 4/2013 Wanthal
D717,420 S * 11/2014 Von Seggern D23/365
9,056,431 B2 6/2015 Bond et al.
D767,746 S * 9/2016 Moredock D23/365
2013/0228026 A1 * 9/2013 Rupp B62D 3/06
74/89.23

* cited by examiner

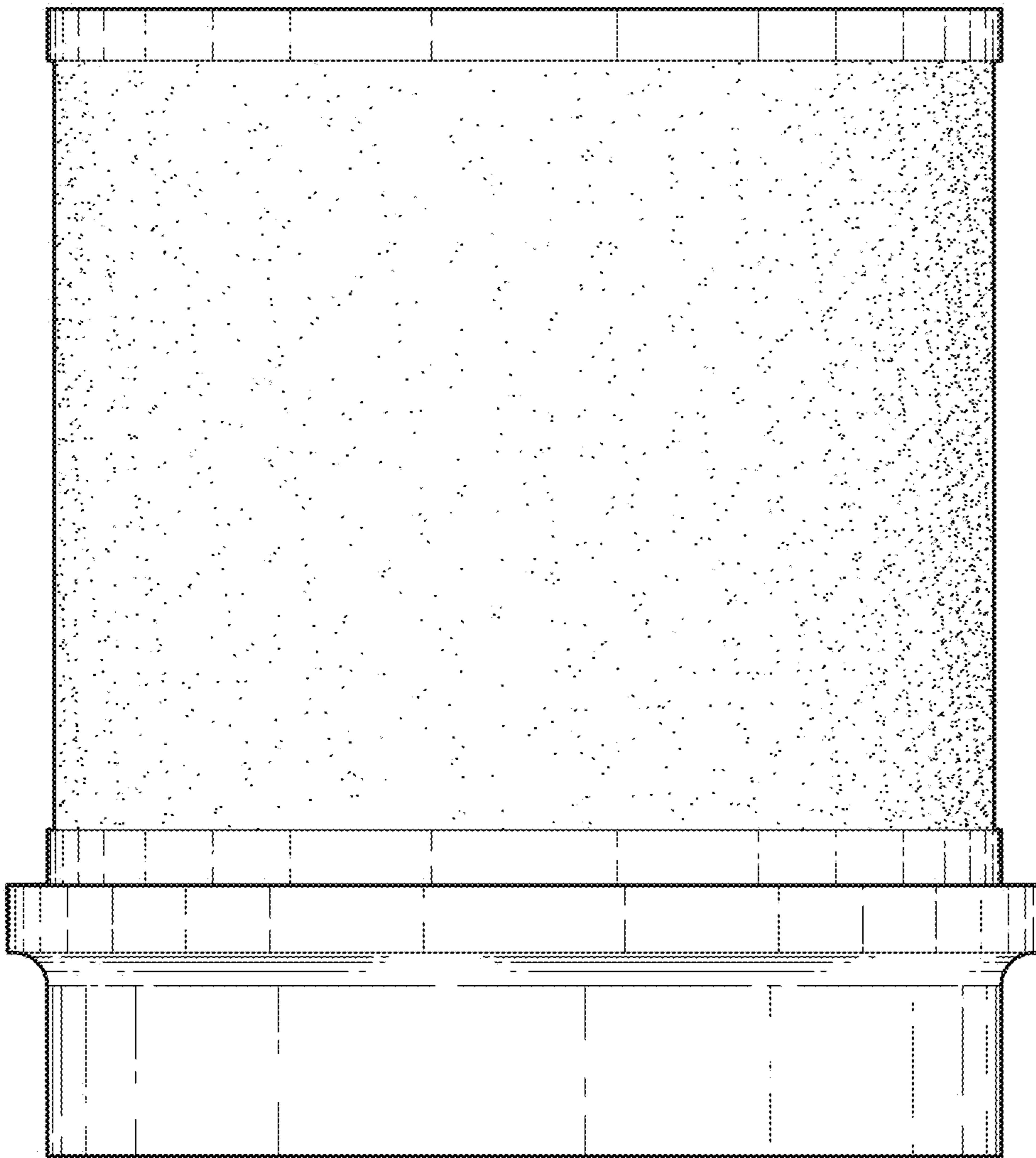


Fig. 1

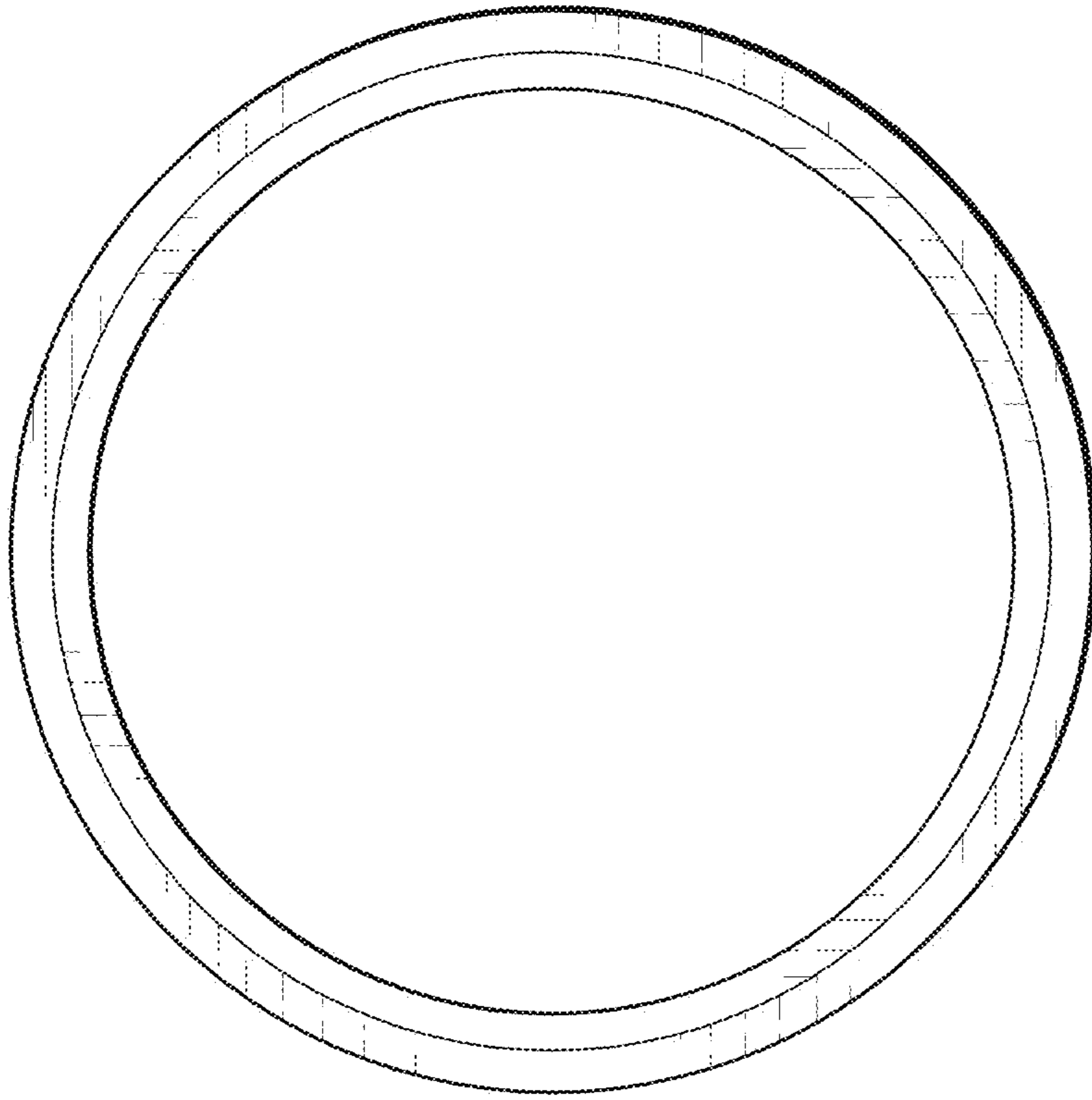


Fig. 3

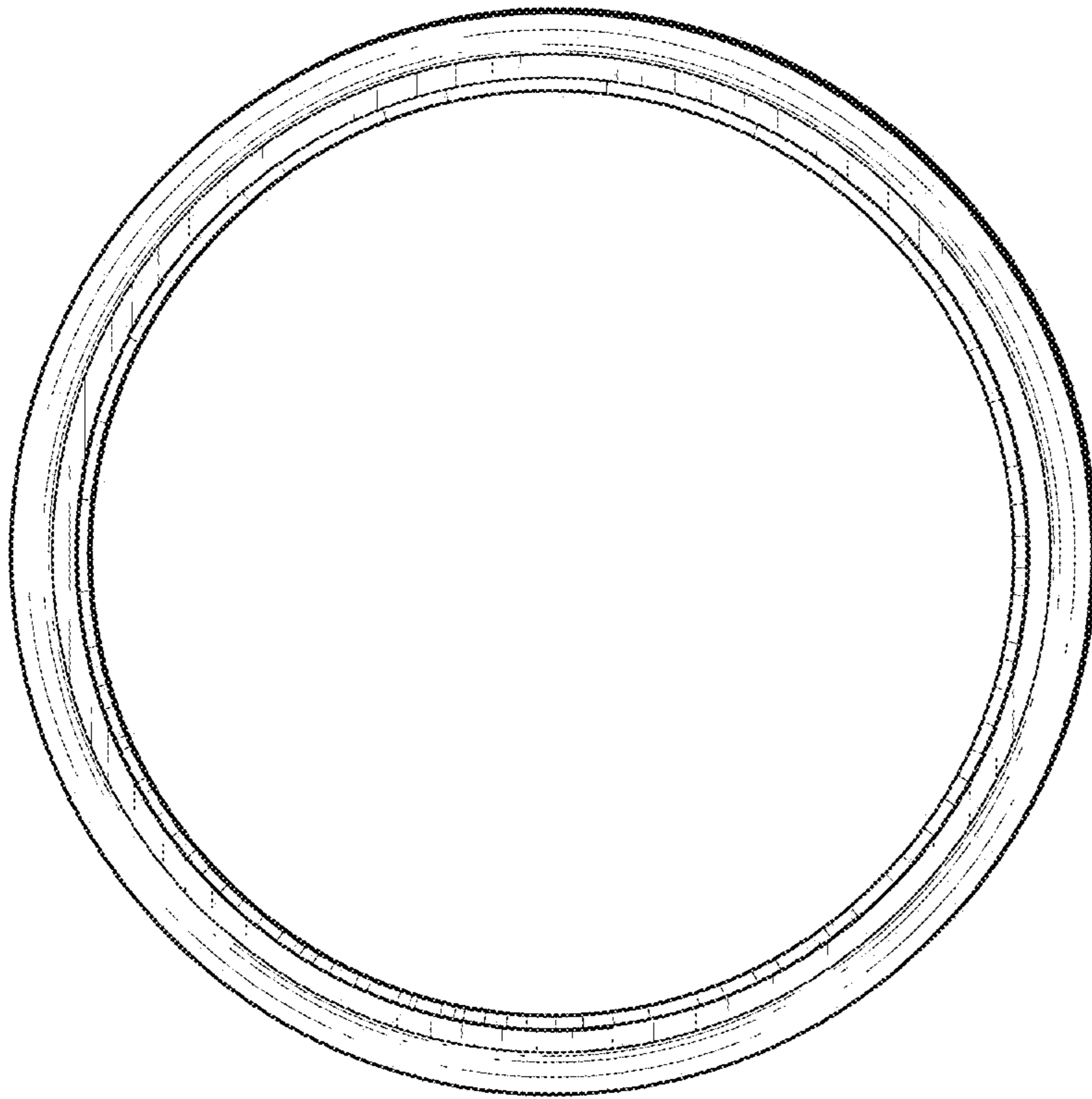


Fig. 2

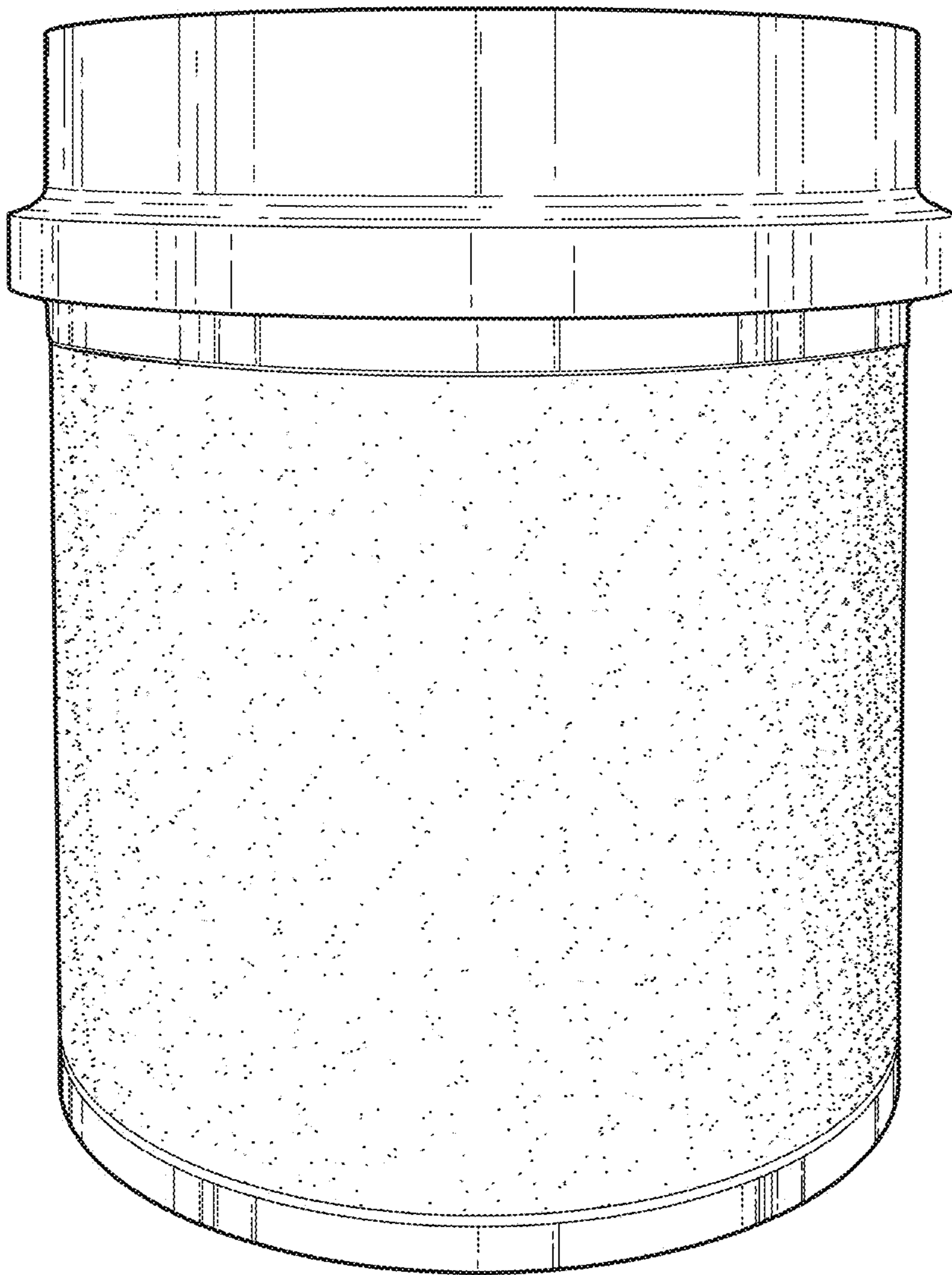


Fig. 4

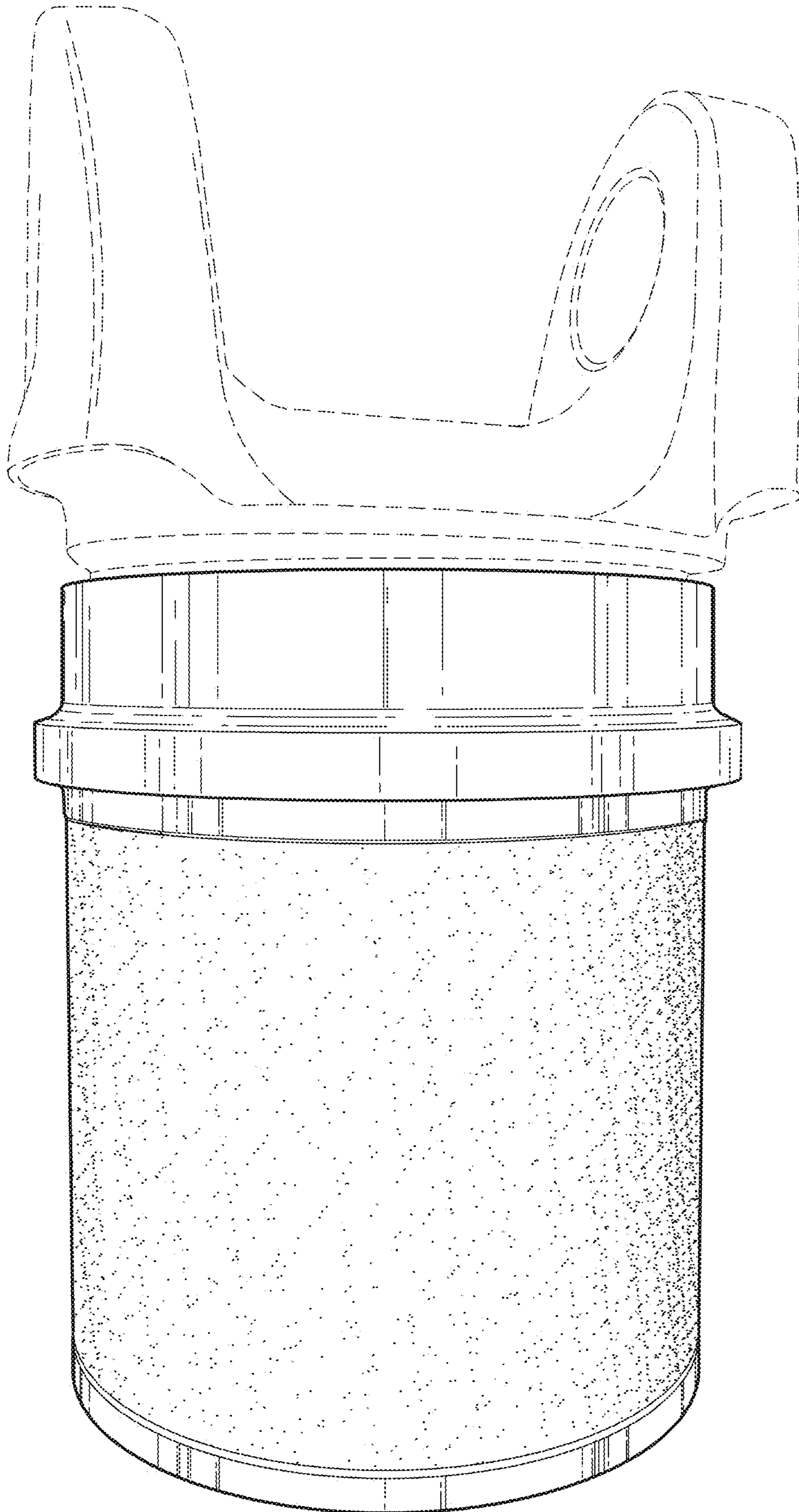


Fig. 5

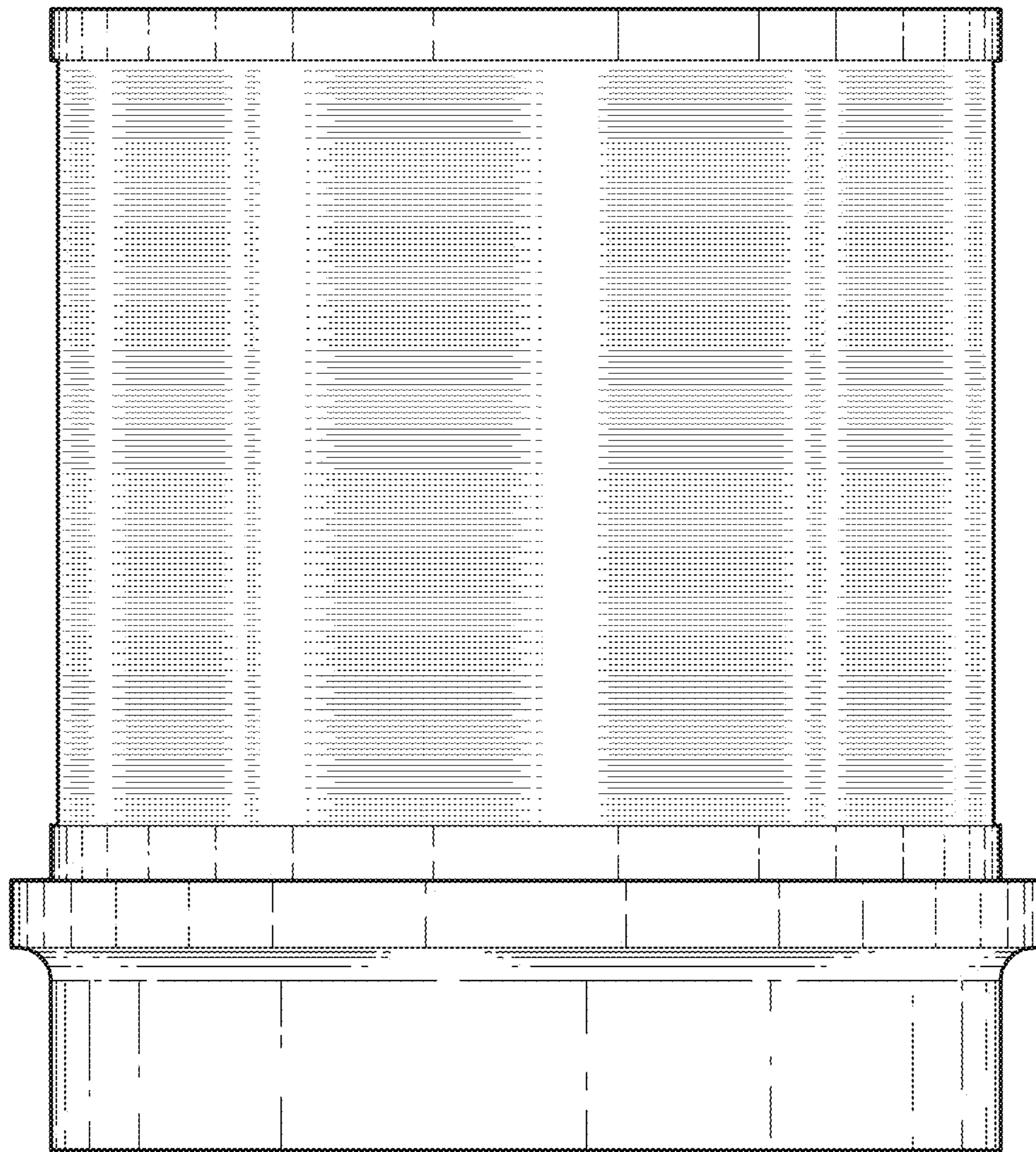


Fig. 6

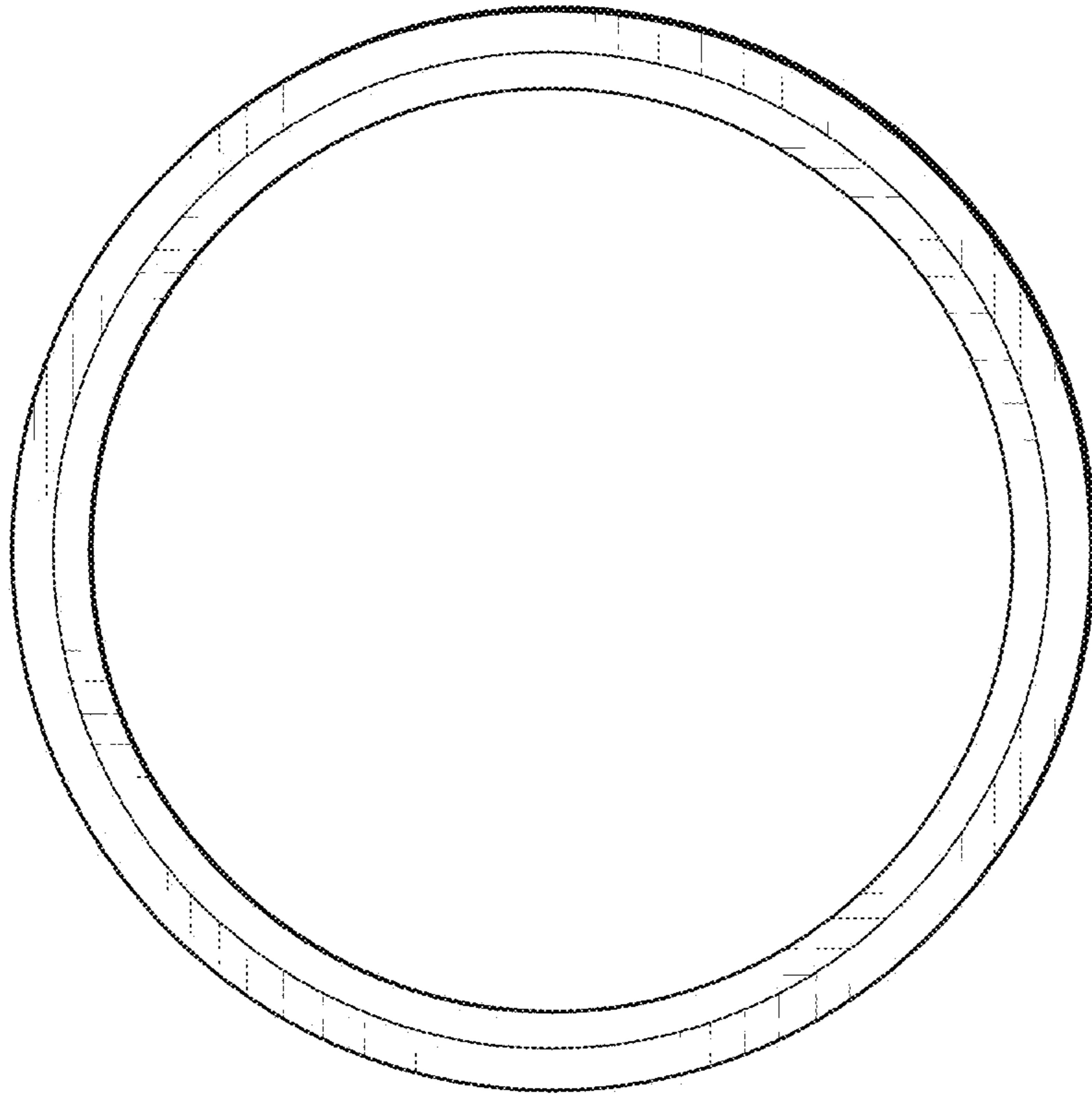


Fig. 8

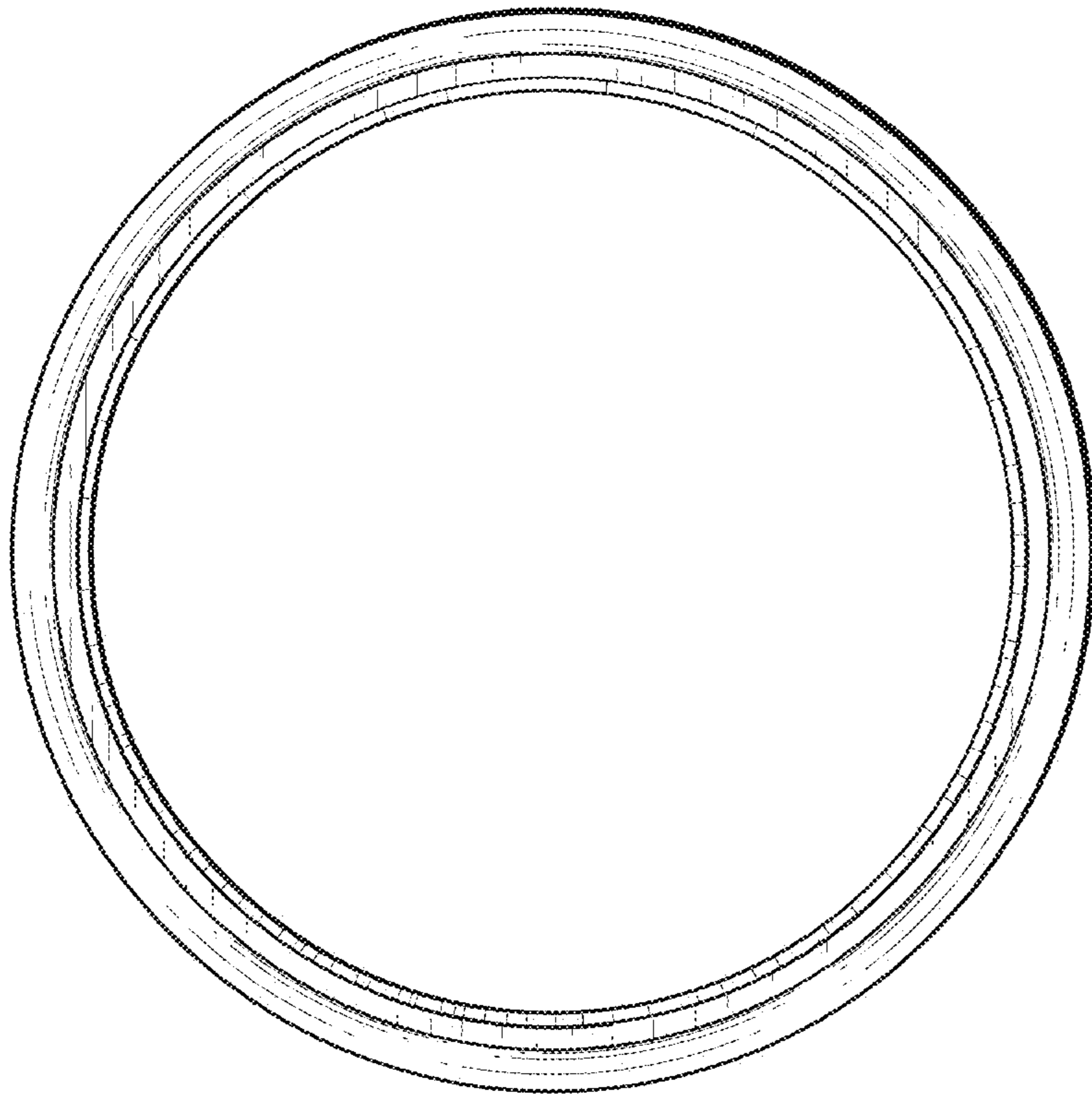


Fig. 7

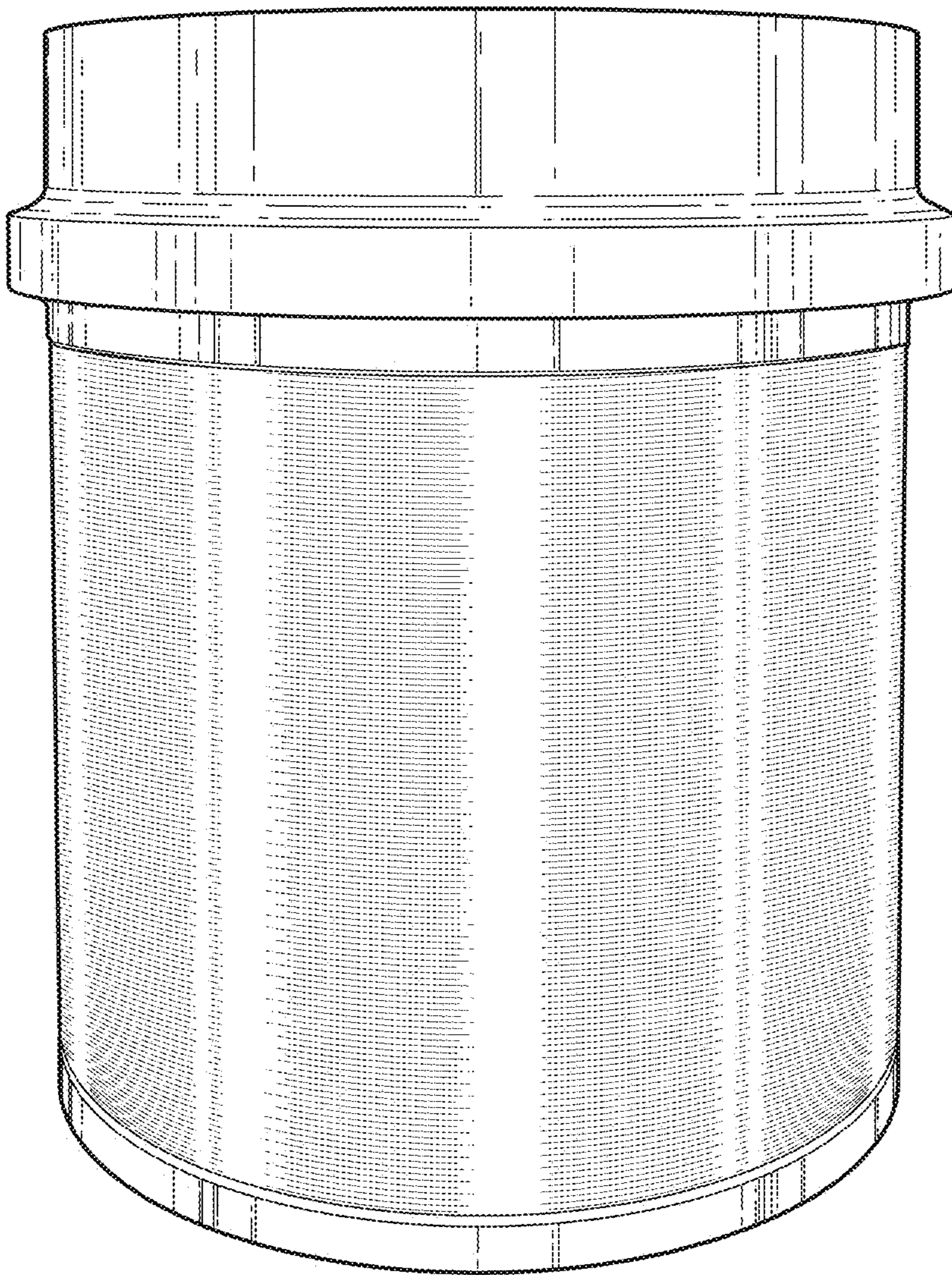


Fig. 9

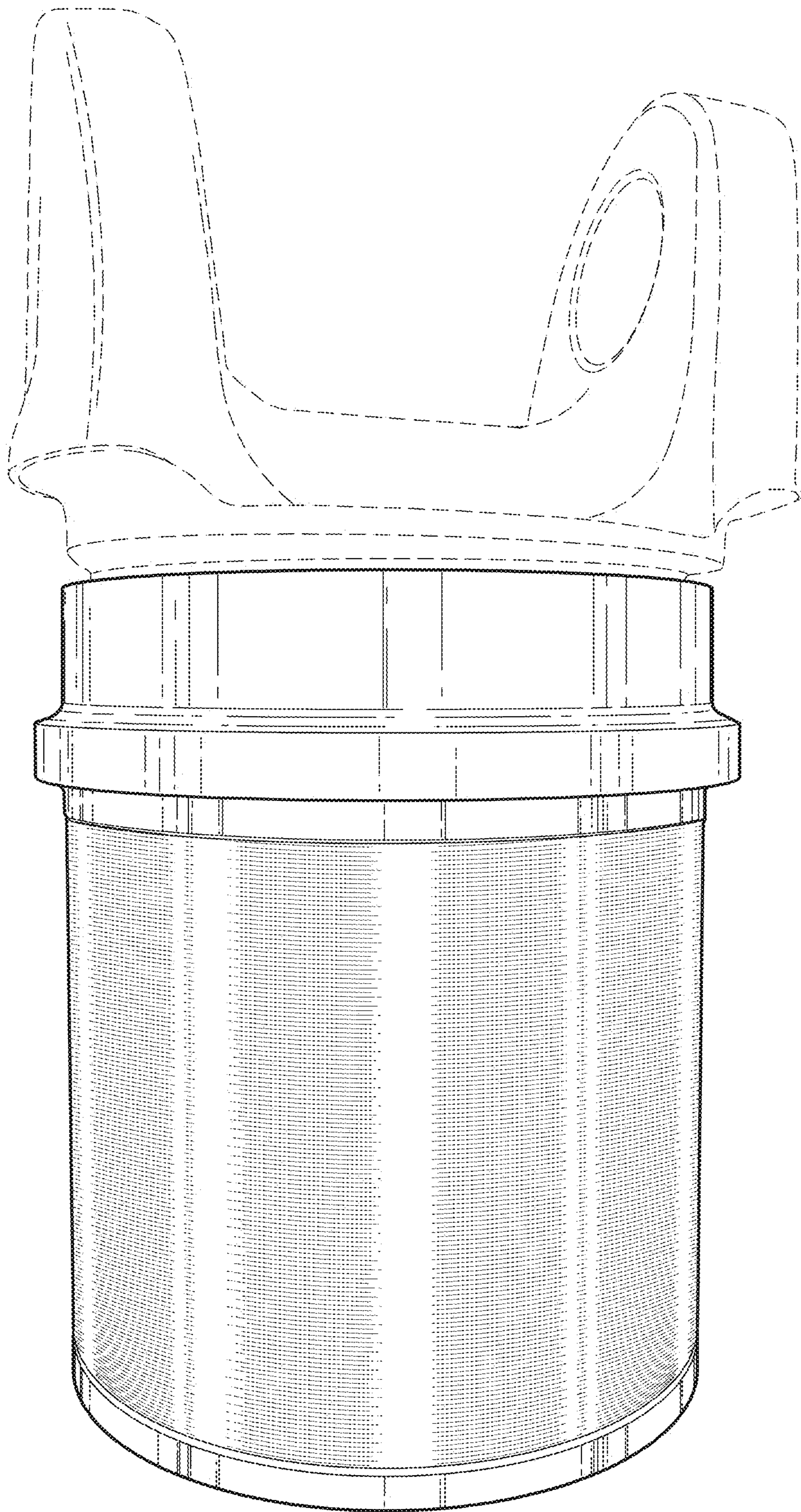


Fig. 10

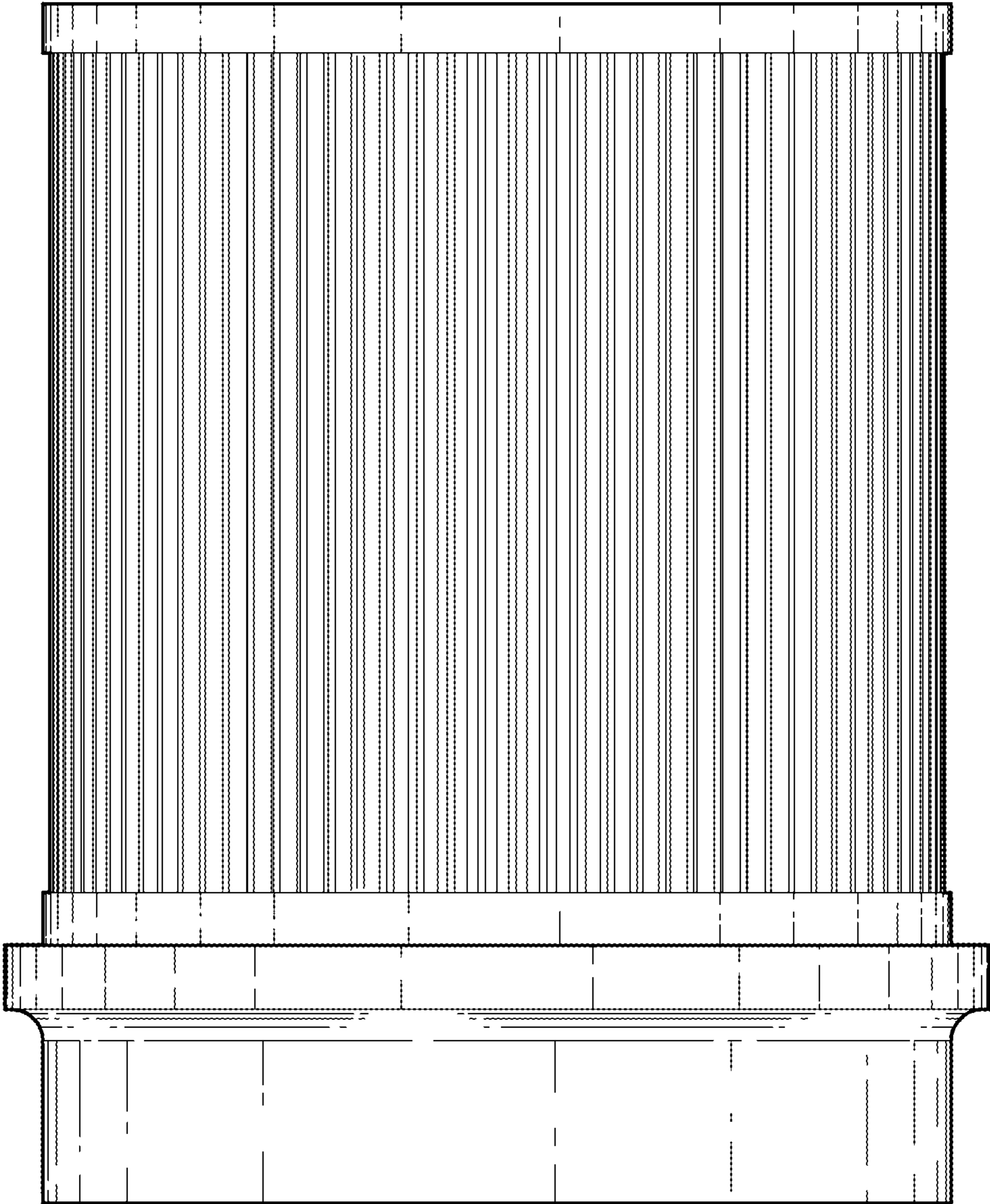


Fig. 11

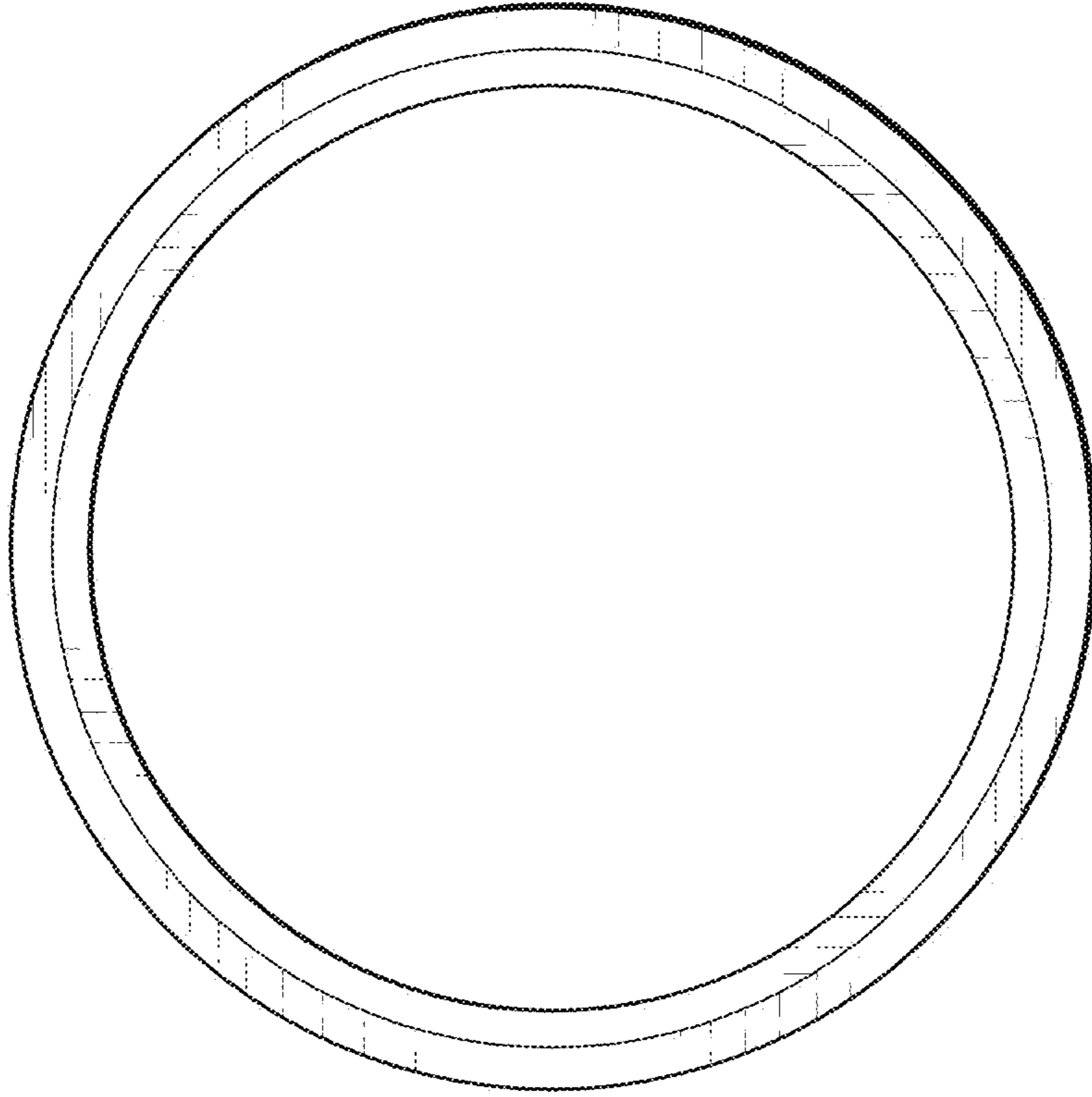


Fig. 13

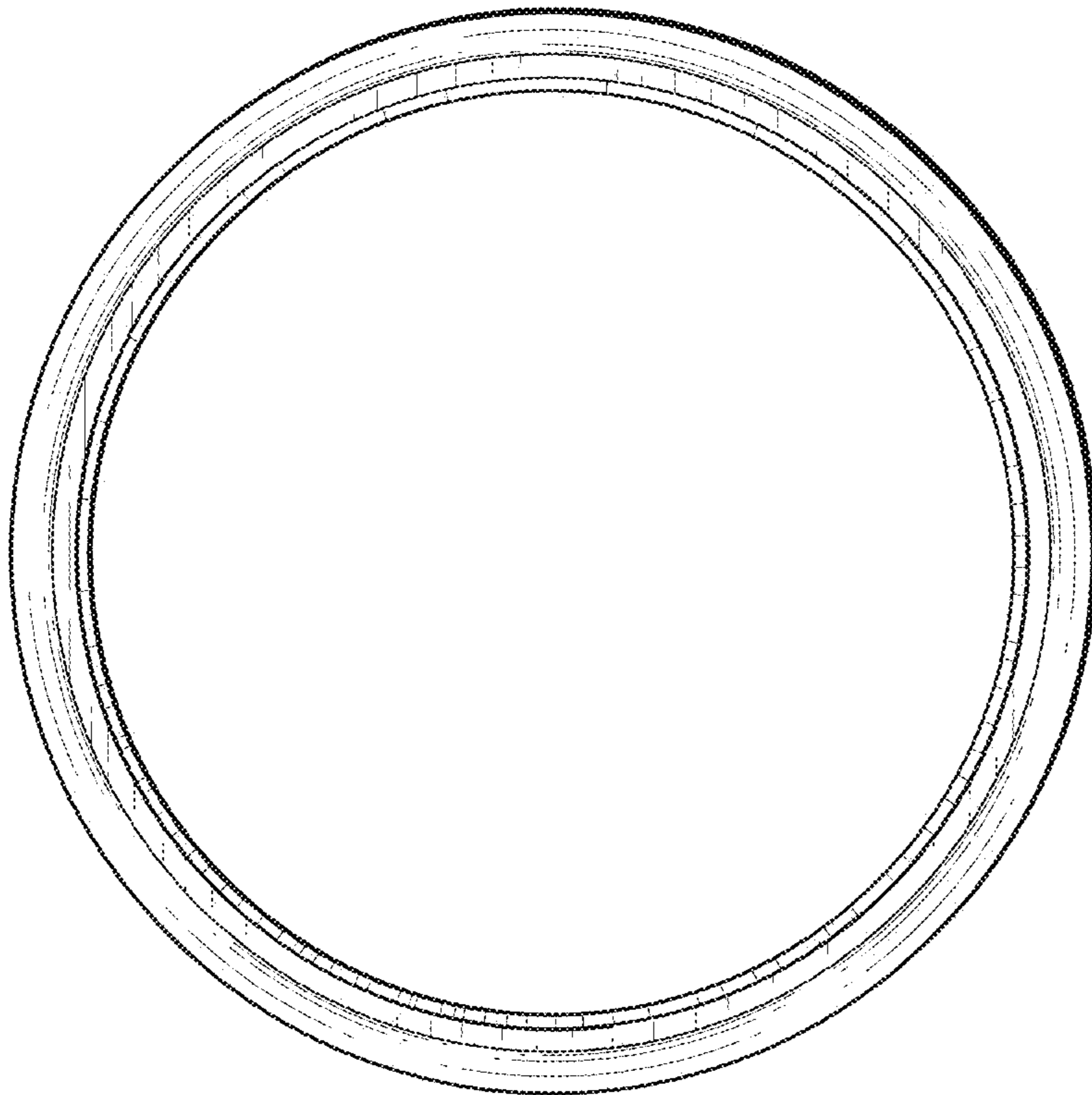


Fig. 12

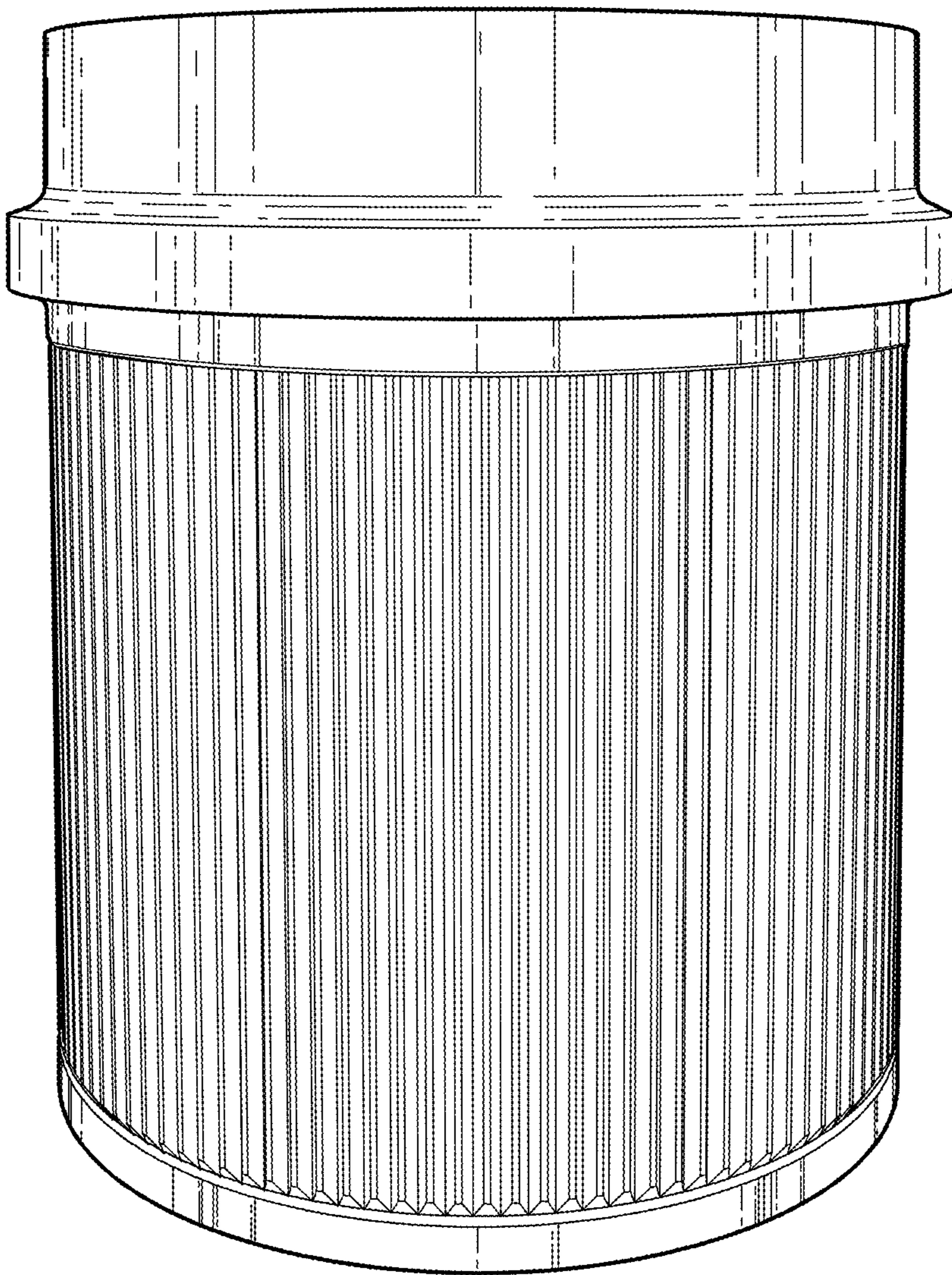


Fig. 14

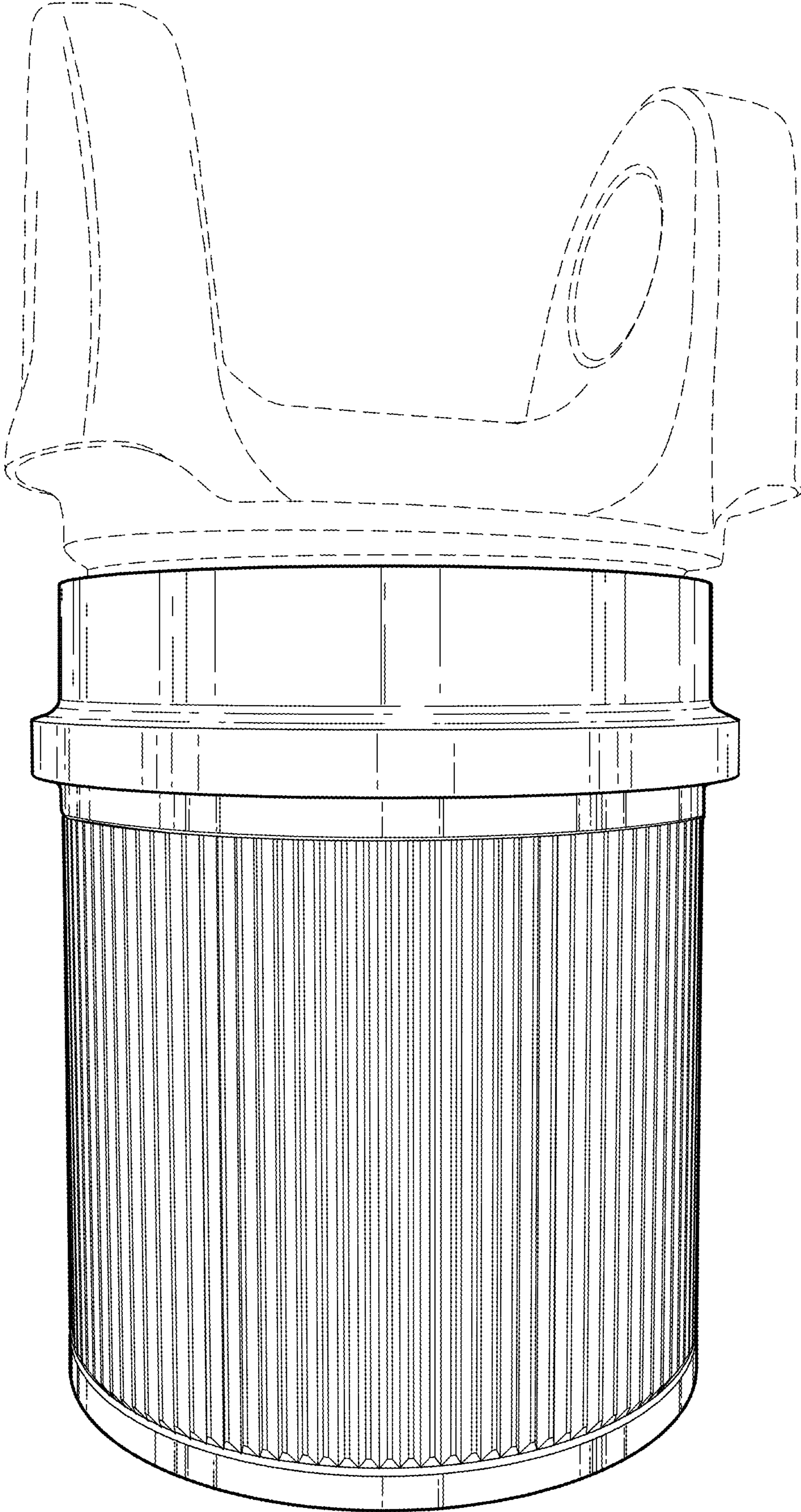


Fig. 15

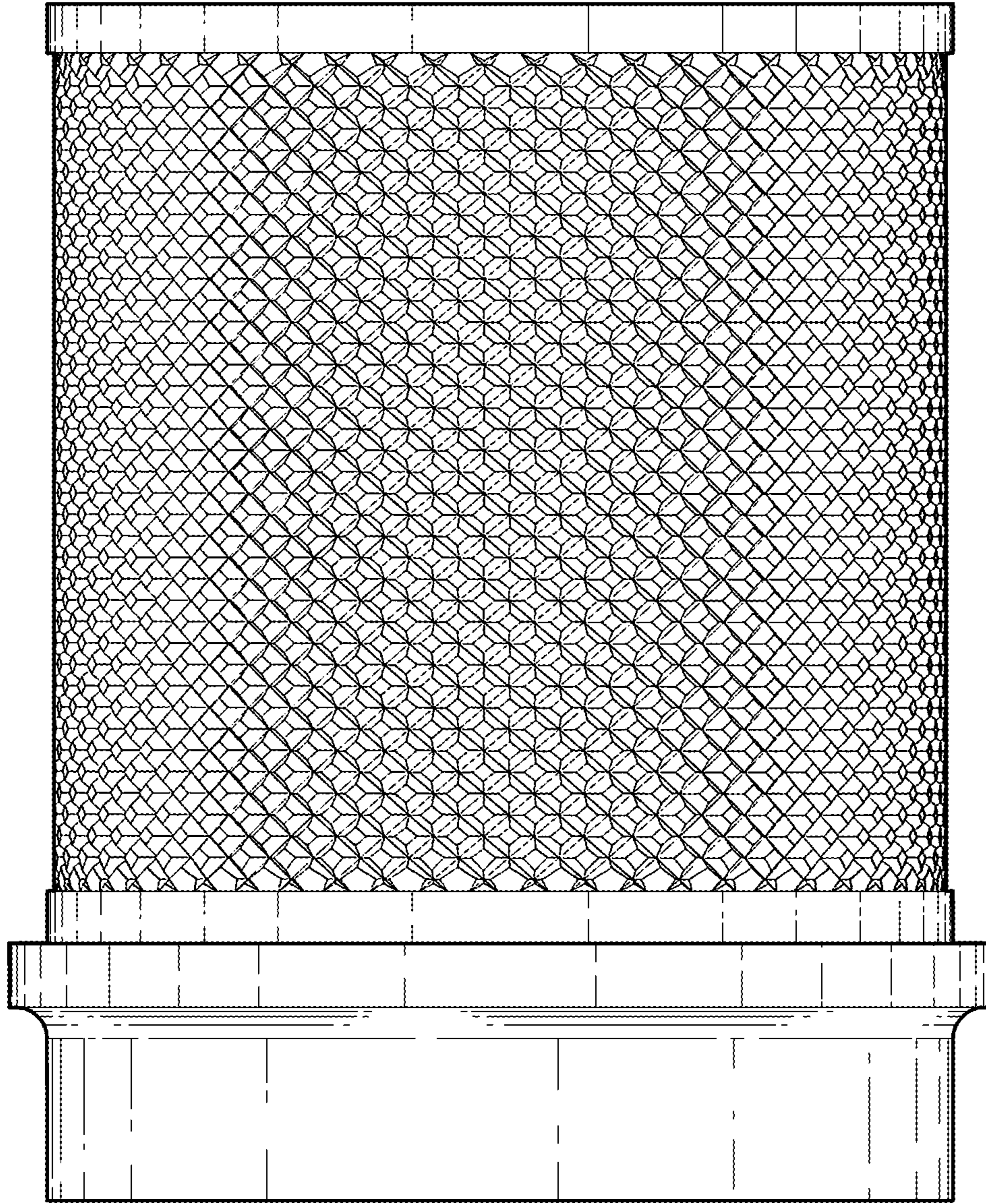


Fig. 16

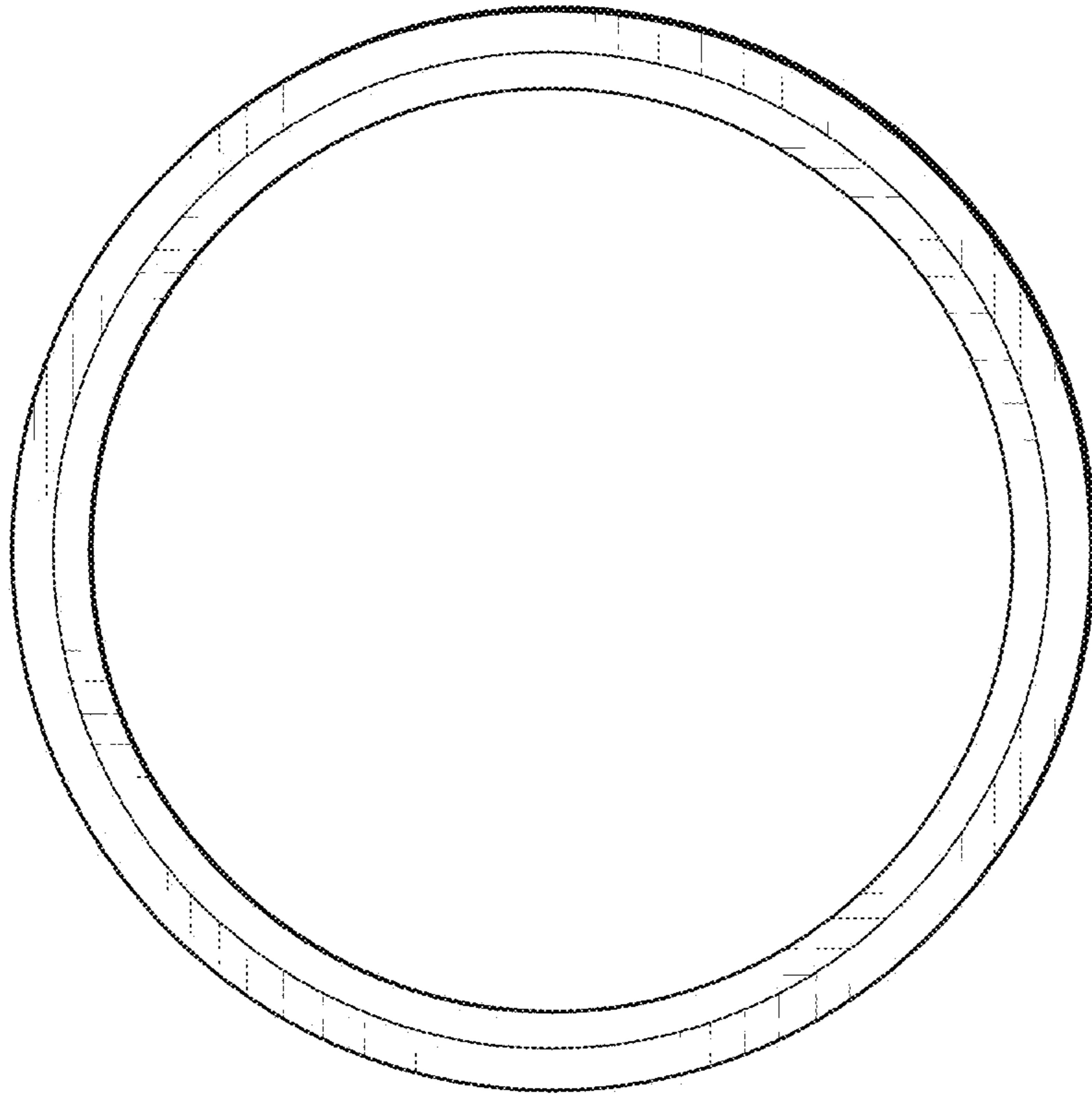


Fig. 18

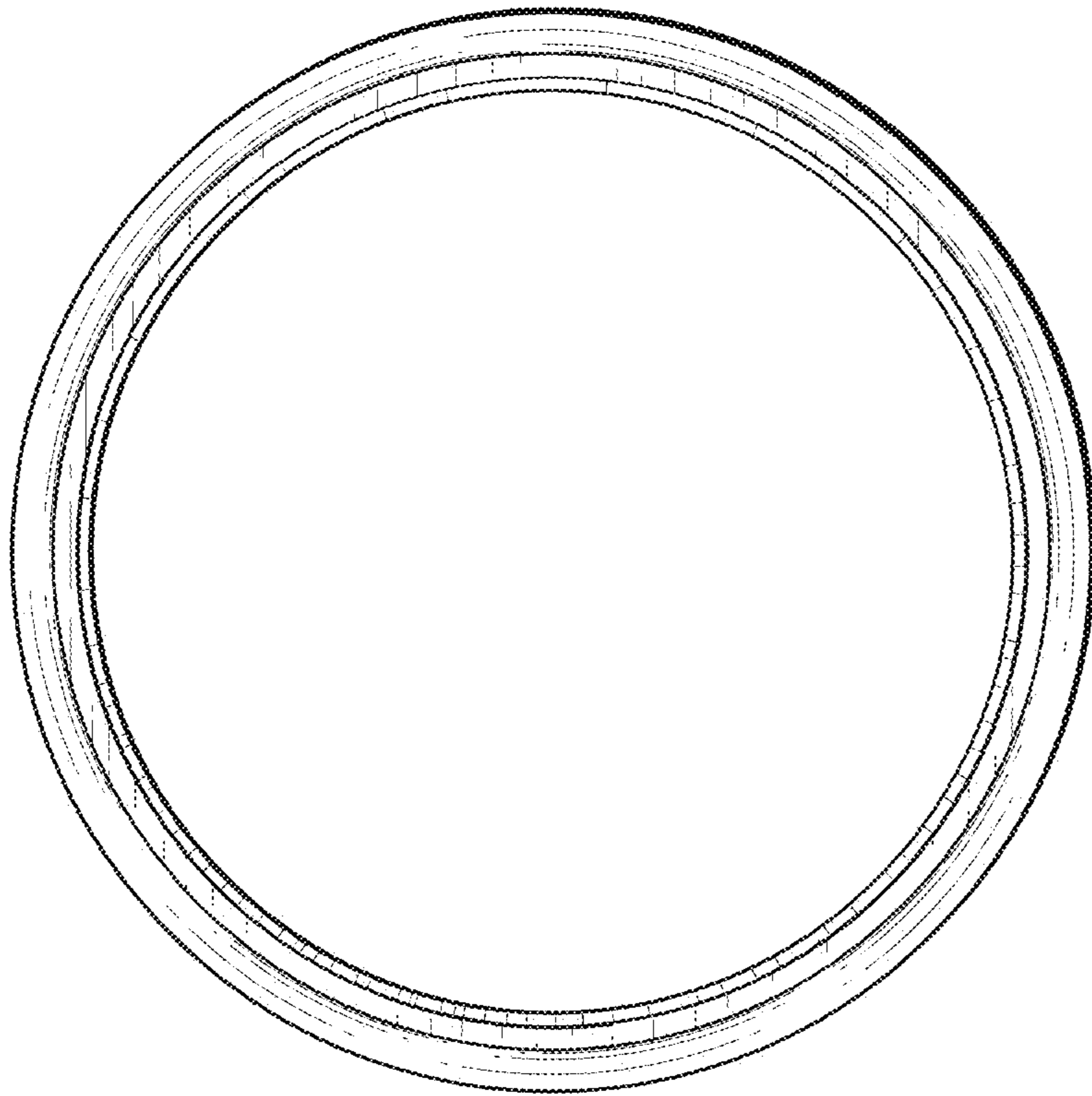


Fig. 17

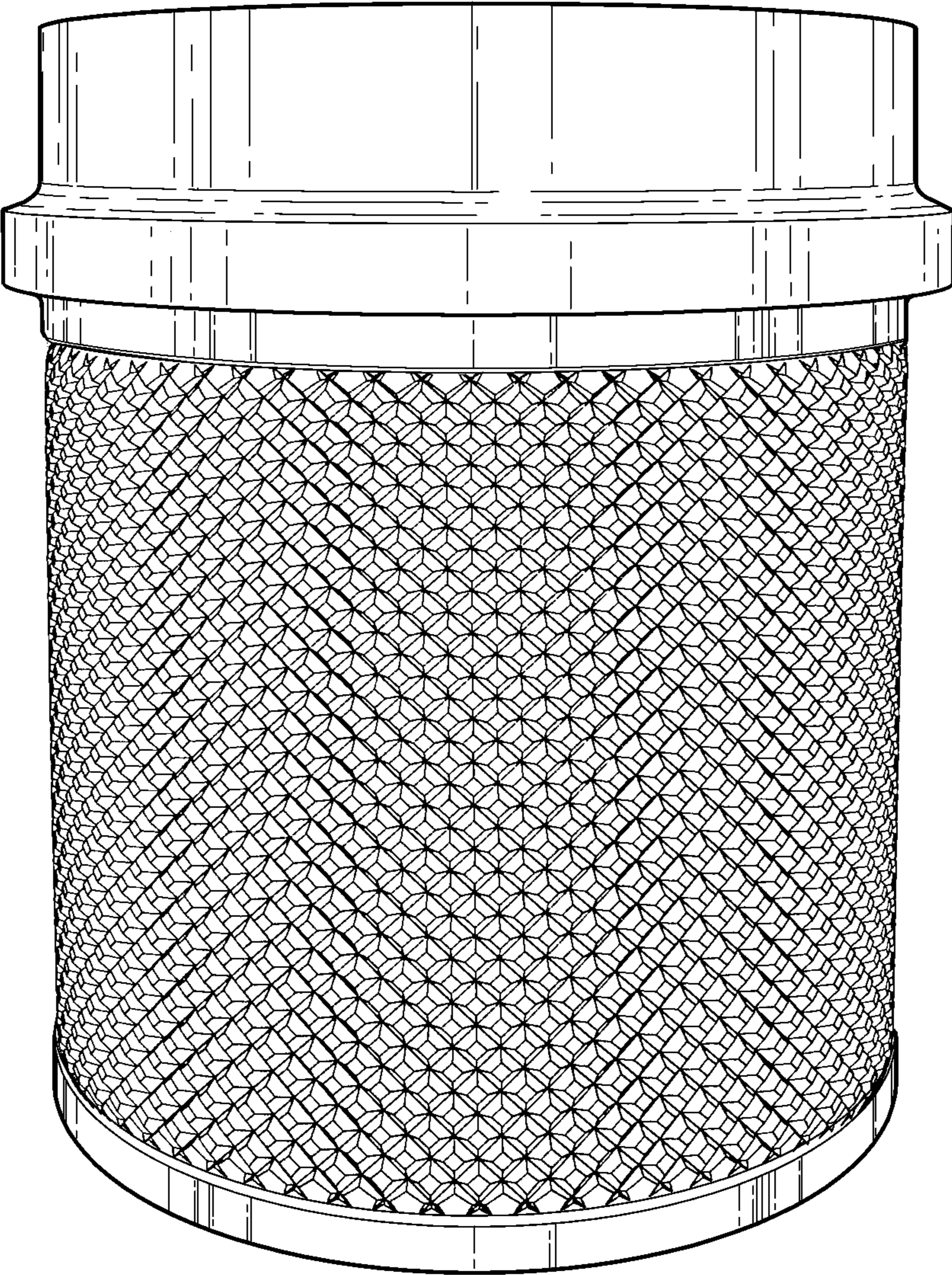


Fig. 19

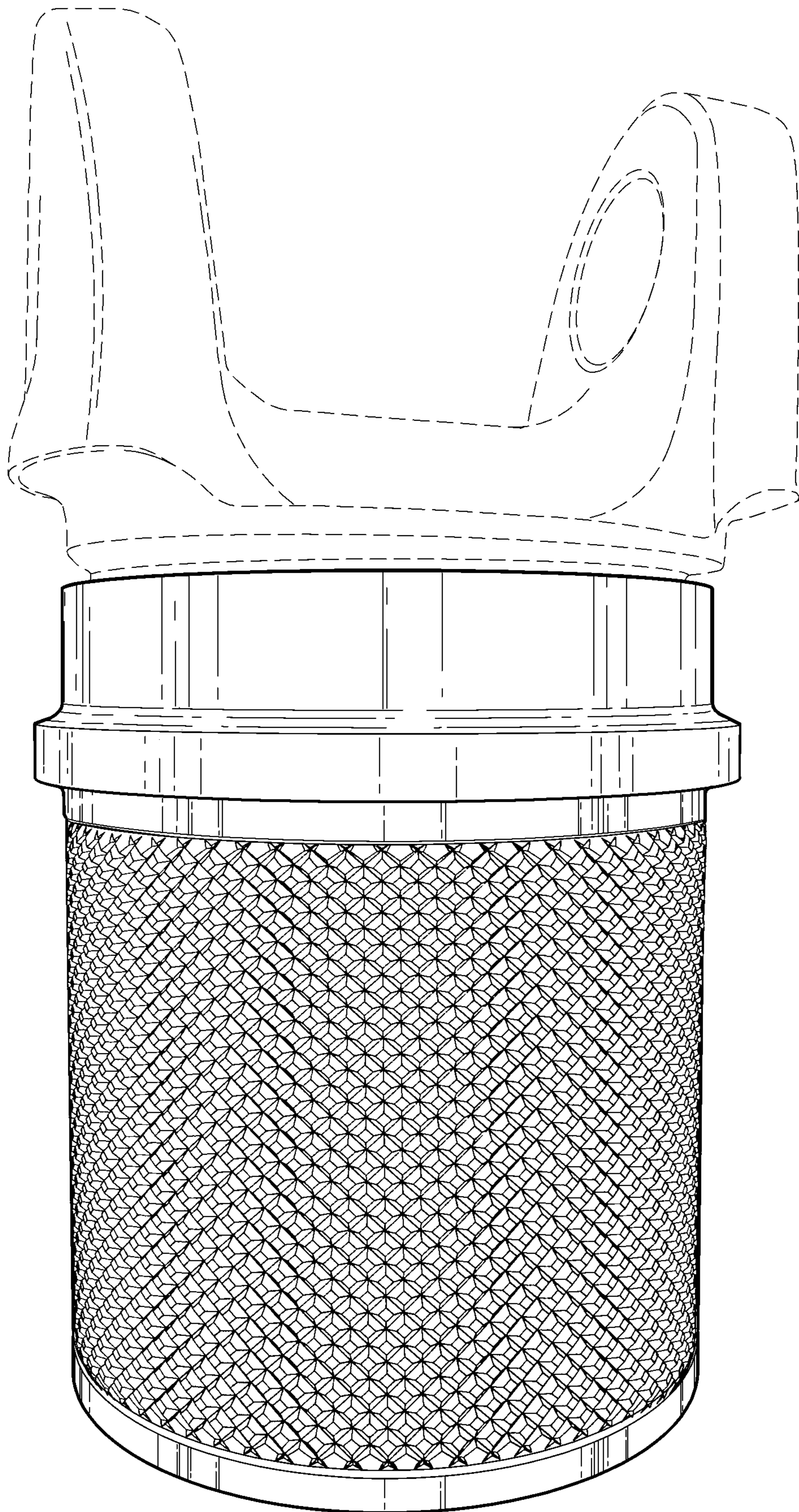


Fig. 20