

US00D896755S

(12) **United States Design Patent** (10) **Patent No.:** **US D896,755 S**
Andersson et al. (45) **Date of Patent:** **** Sep. 22, 2020**

(54) **ELECTRIC MOTOR**

(56) **References Cited**

(71) Applicant: **Siemens Aktiengesellschaft**, Munich (DE)

U.S. PATENT DOCUMENTS

(72) Inventors: **Jan Andersson**, Erlangen (DE);
Stephan Hühne, Wilhermsdorf (DE);
Jürgen Labermeier, Schwanstetten (DE); **Josef Niedermeyer**, Hipoltstein (DE); **Uwe Scharf**, Schwabach (DE)

D207,401 S *	4/1967	Andrews et al.	D13/114
D310,816 S *	9/1990	Sawato	D13/112
5,005,281 A *	4/1991	Burns	H02K 15/024 29/415
D332,081 S *	12/1992	Sieber	D13/112
6,909,211 B2 *	6/2005	Ciciliani	H02K 9/04 310/216.045
D574,325 S *	8/2008	Naghshineh	D13/114
D618,615 S *	6/2010	Basic	D13/114
D624,015 S *	9/2010	Walker	D13/112
7,965,005 B2 *	6/2011	Schmidt	H02K 5/06 310/71
D700,575 S *	3/2014	Andersson	D13/114

(73) Assignee: **SIEMENS AKTIENGESELLSCHAFT**, Munich (DE)

(**) Term: **15 Years**

* cited by examiner

(21) Appl. No.: **29/623,185**

Primary Examiner — Derrick E Holland

(22) Filed: **Oct. 23, 2017**

(74) *Attorney, Agent, or Firm* — Henry M. Feiereisen LLC

(30) **Foreign Application Priority Data**

(57) **CLAIM**

Apr. 24, 2017 (EM) 001458509

The ornamental design for an electric motor, as shown and described.

(51) **LOC (12) Cl.** **13-01**

DESCRIPTION

(52) **U.S. Cl.**

USPC **D13/112**

(58) **Field of Classification Search**

USPC D13/112, 113, 114, 122, 184, 199;
D15/1, 5; 290/36 R, 38 R, 39; 310/10,
310/20, 40 R, 40 MM, 42, 68 D, 75 R,
310/80, 83, 88, 89, 98, 109, 114

CPC H02K 5/06; H02K 5/15; H02K 5/225;
H02K 11/33; H02K 9/04; H02K 9/14;
H02K 7/1025; H02K 7/20918

See application file for complete search history.

FIG. 1 is a front view of an electric motor showing our new design;
FIG. 2 is a rear view thereof;
FIG. 3 is a top plan view thereof;
FIG. 4 is a bottom plan view thereof;
FIG. 5 is a right side view thereof;
FIG. 6 is a left side view thereof; and,
FIG. 7 is a front, top and right side perspective view thereof.

1 Claim, 7 Drawing Sheets

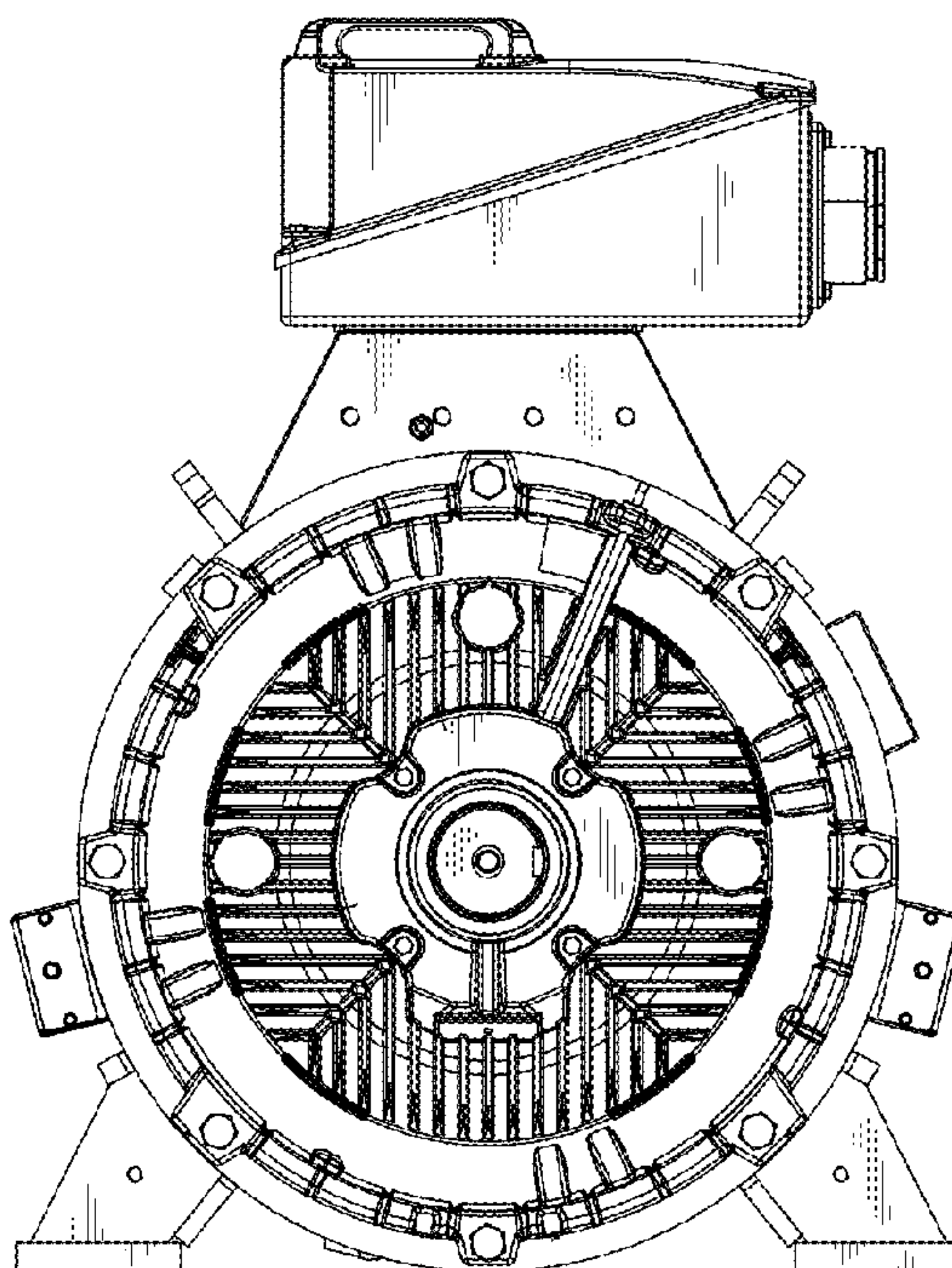


FIG. 1

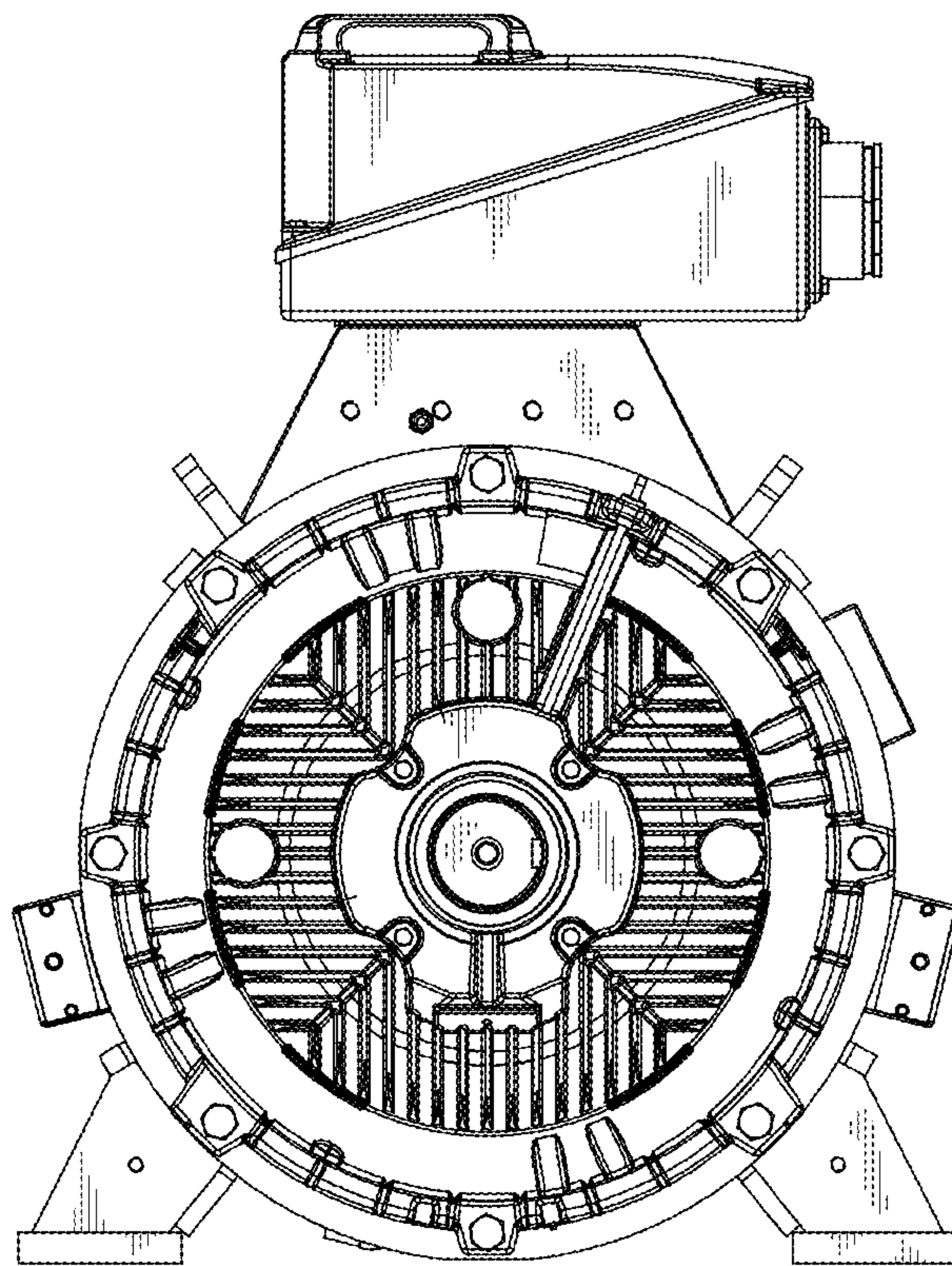


FIG. 2

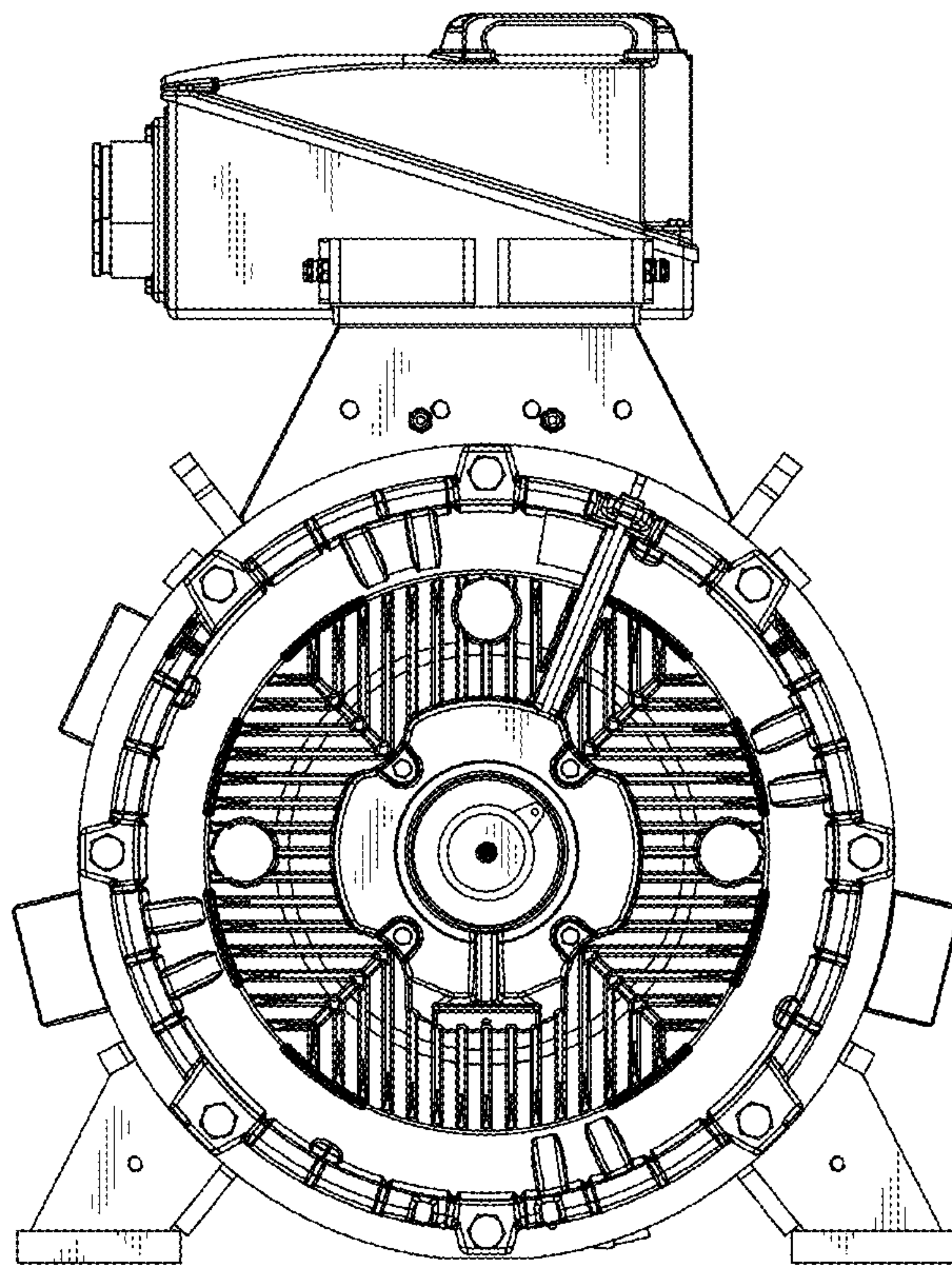


FIG. 3

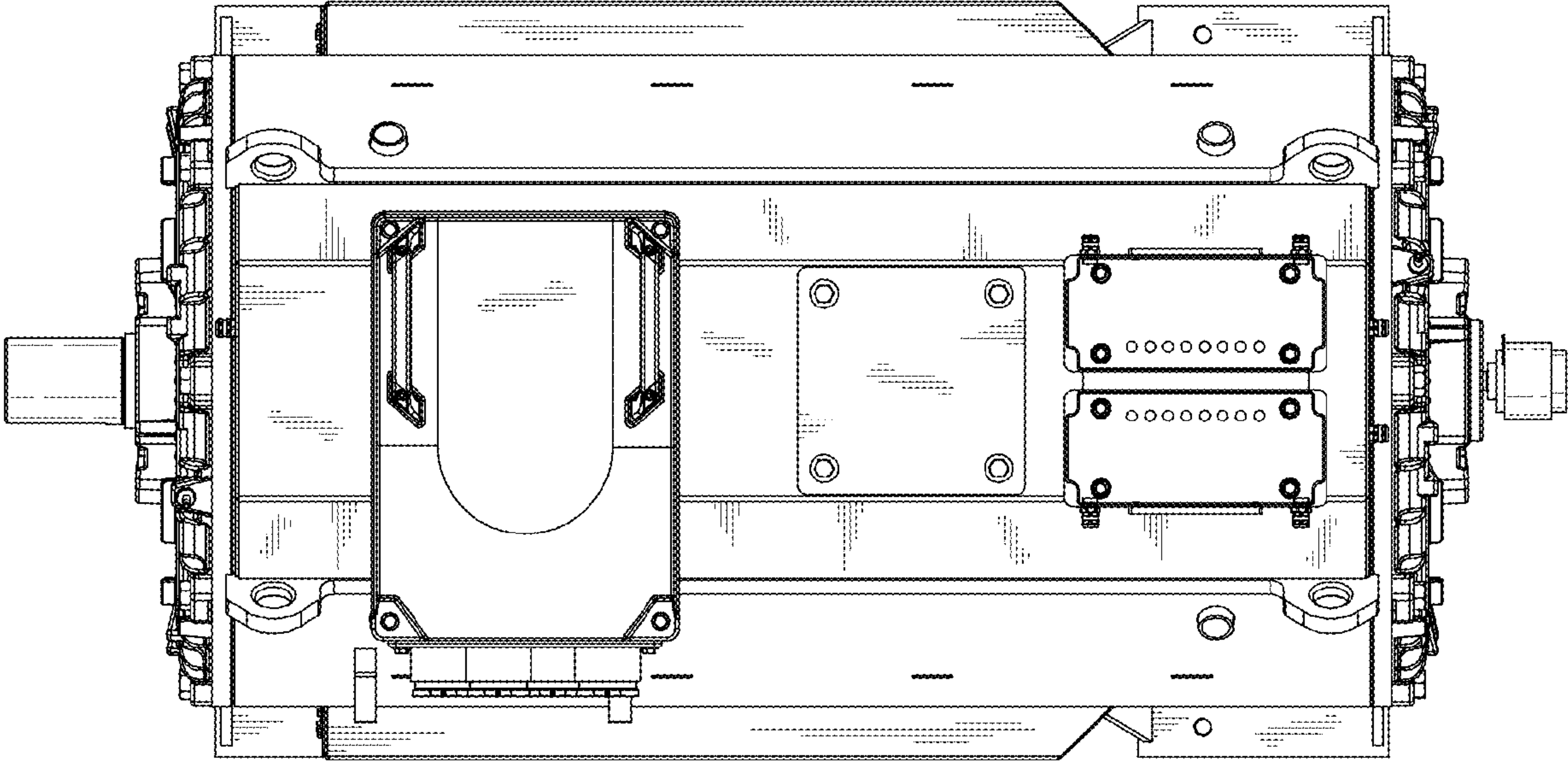


FIG. 4

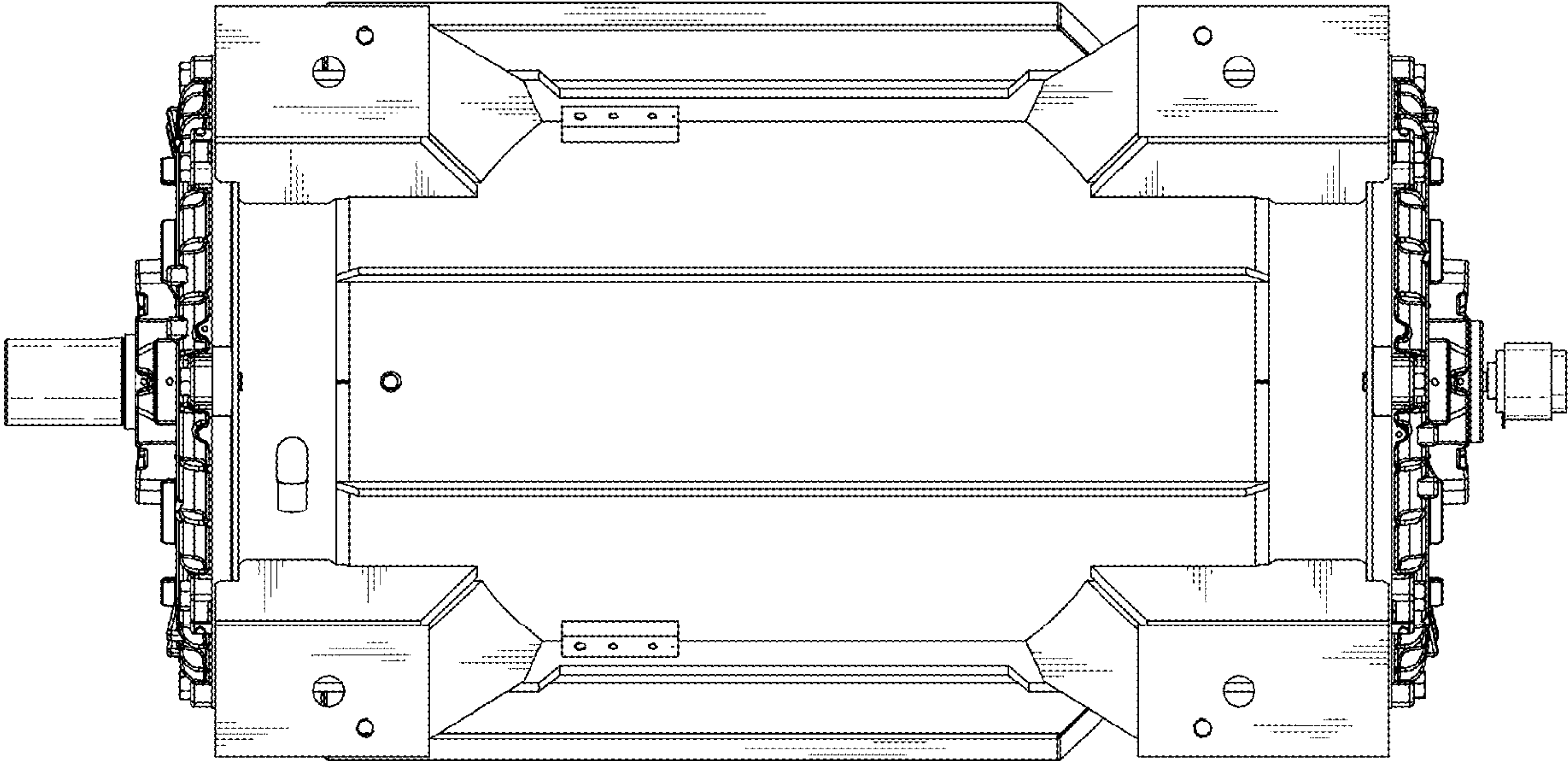


FIG. 5

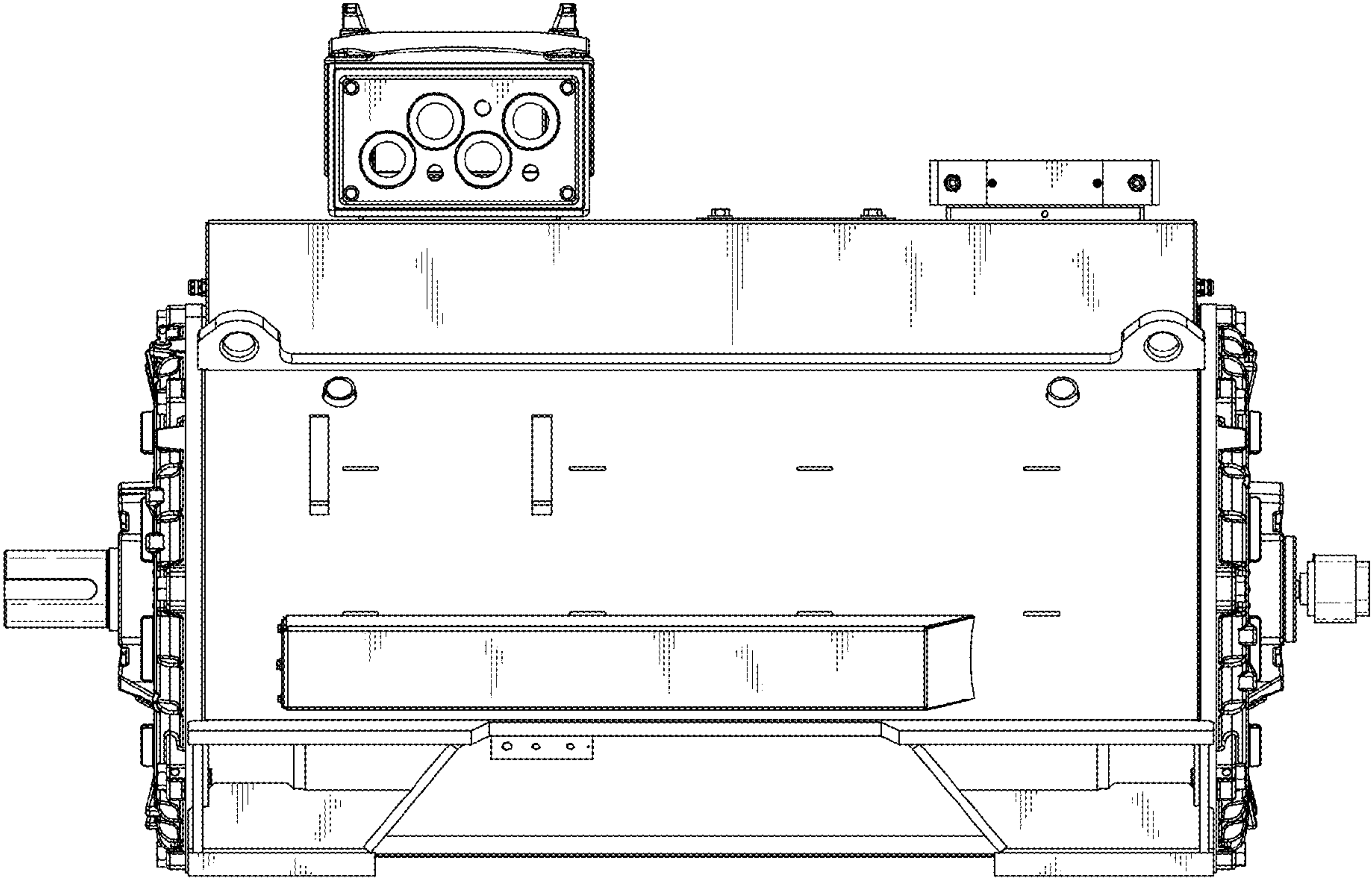


FIG. 6

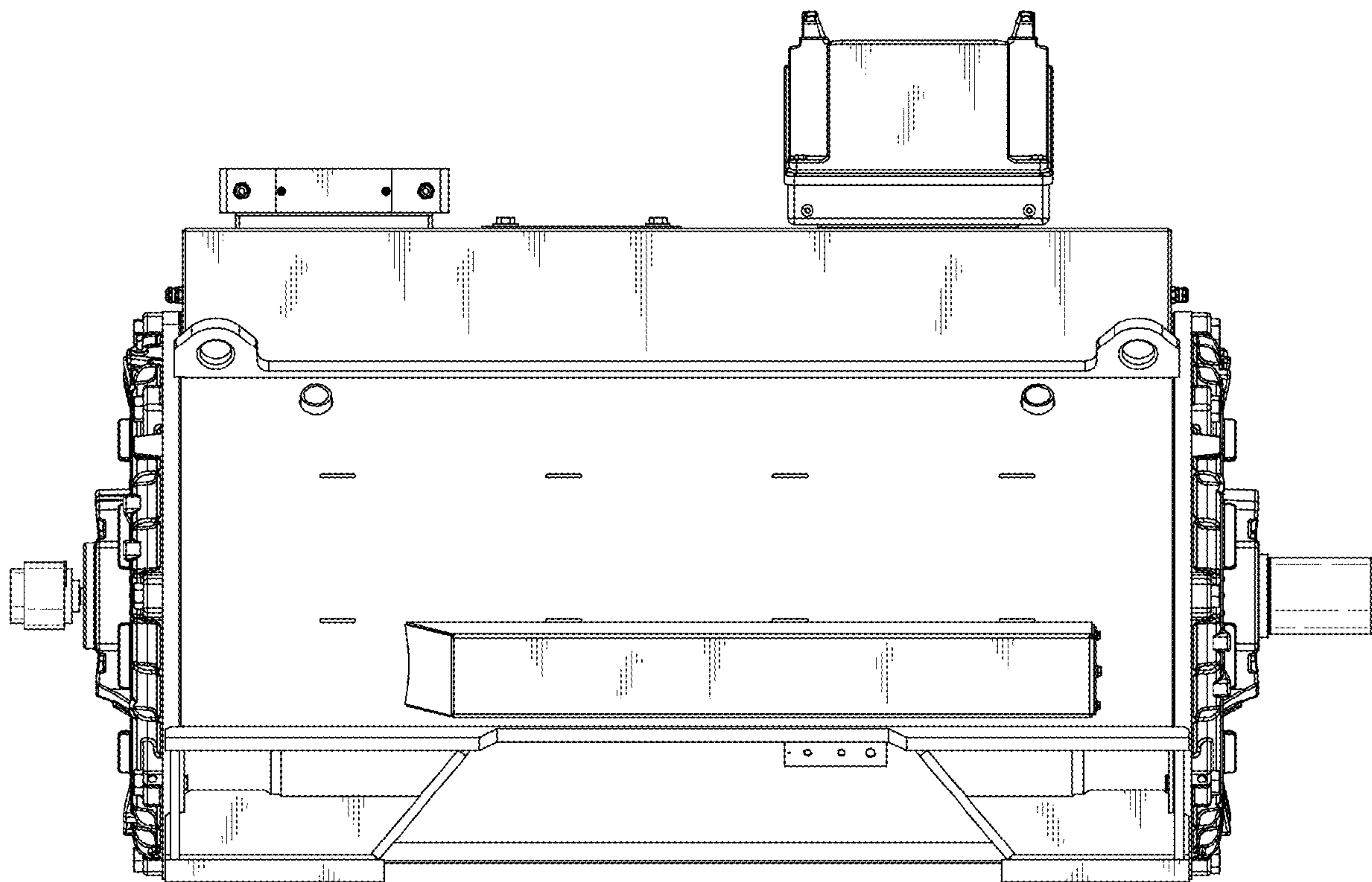


FIG. 7

