



US00D896754S

(12) **United States Design Patent** (10) **Patent No.:** **US D896,754 S**
Kokoruda et al. (45) **Date of Patent:** **** Sep. 22, 2020**

(54) **TRAP BATTERY POWER ADAPTER**
(71) Applicant: **BUSHNELL INC.**, Overland Park, KS (US)
(72) Inventors: **Laurie A. Kokoruda**, Bonner Springs, KS (US); **Matthew Leo Boeser**, Bethel, MN (US)
(73) Assignee: **BUSHNELL INC.**, Overland Park, KS (US)
(**) Term: **15 Years**
(21) Appl. No.: **29/689,351**
(22) Filed: **Apr. 29, 2019**
(51) **LOC (12) Cl.** **13-10**
(52) **U.S. Cl.**
USPC **D13/110**
(58) **Field of Classification Search**
USPC D13/103, 104, 107, 110, 119, 120, 133, D13/156
CPC H01R 13/641; H01M 2/1022; H01M 2/1027; H01M 2/1072; H01M 2/105; H01M 2/1077; H02B 1/20
See application file for complete search history.

(56) **References Cited**
U.S. PATENT DOCUMENTS
D657,739 S * 4/2012 Miyawaki D13/104
D705,719 S * 5/2014 Wong D13/103
D711,821 S * 8/2014 Wang D13/103
D759,587 S * 6/2016 Santos D13/103
D762,565 S * 8/2016 Akana D13/103
D775,073 S * 12/2016 Oshiba D13/119
D812,000 S * 3/2018 Li D13/108
D820,198 S * 6/2018 Smith D13/103
D821,983 S * 7/2018 Shah D13/168
D836,541 S * 12/2018 Lomeli D13/107

D842,237 S * 3/2019 Qiu D13/103
D844,560 S * 4/2019 Miller D13/108
D852,742 S * 7/2019 Li D13/110
D854,020 S * 7/2019 Liao D14/434
D864,864 S * 10/2019 Xu D13/110
D871,324 S * 12/2019 Roberts D13/108
D872,020 S * 1/2020 Chen D13/110
D872,021 S * 1/2020 Xu D13/110
D875,044 S * 2/2020 Chen D13/110
D875,681 S * 2/2020 Xu D13/110
D876,350 S * 2/2020 Lai D13/110
D877,075 S * 3/2020 Liao D13/110
D879,715 S * 3/2020 Brendel D13/110
D879,716 S * 3/2020 Chuang D13/110
10,608,216 B2 * 3/2020 Lee H01M 2/1077
D881,455 S * 4/2020 Wright D27/162
D881,459 S * 4/2020 Ouyang D27/162
D881,462 S * 4/2020 Wright D27/162
2008/0050645 A1 * 2/2008 Kai H01M 2/1077
429/61

(Continued)

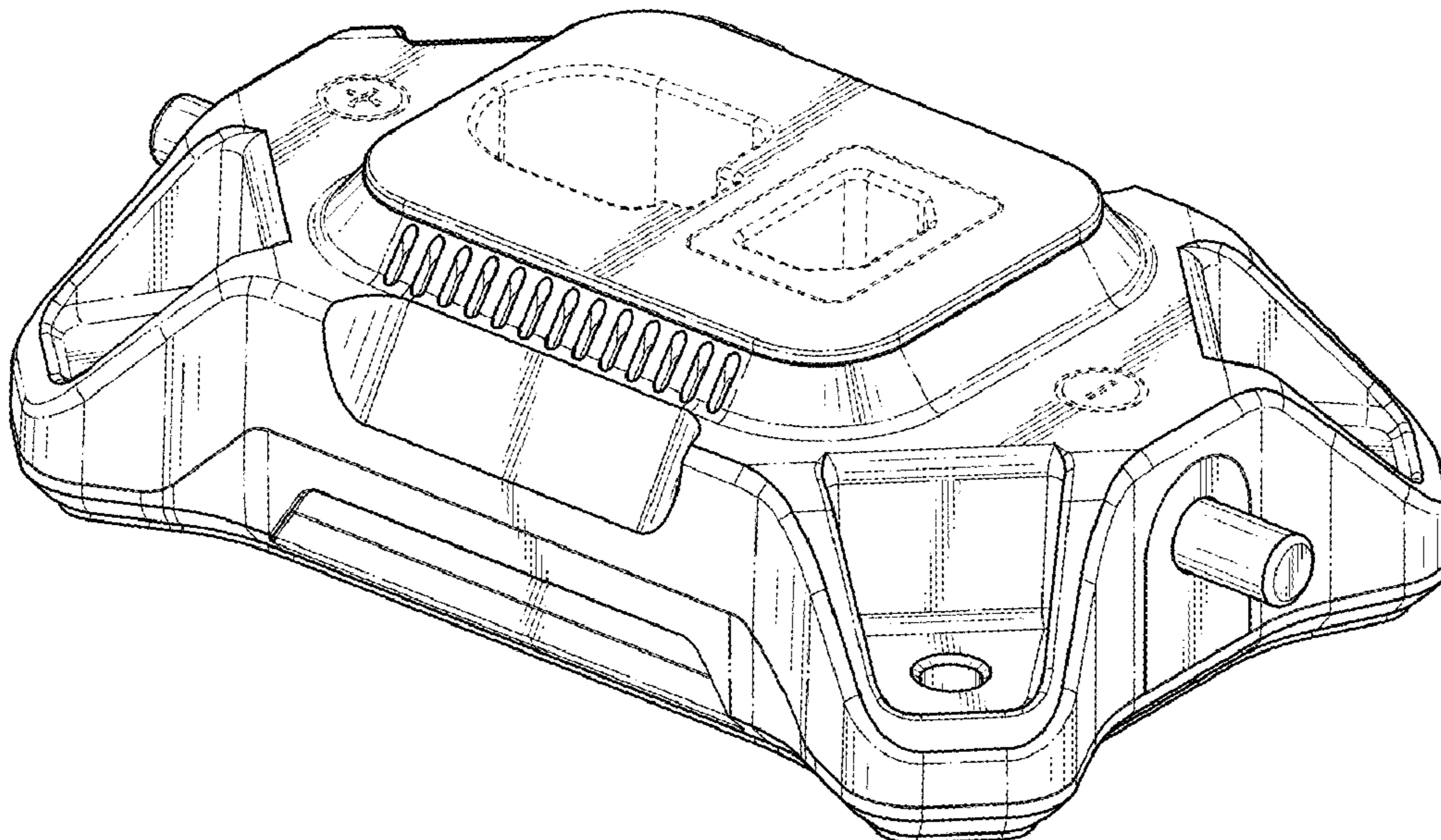
Primary Examiner — Susan Bennett Hattan
Assistant Examiner — Suzanne E Tisdell
(74) *Attorney, Agent, or Firm* — Walter M. Egbert, III; Gerard M. Donovan; Reed Smith LLP

(57) **CLAIM**
The ornamental design for a trap battery power adapter, as shown and described.

DESCRIPTION

FIG. 1 is a perspective view of a trap battery power adapter; FIG. 2 is a right side view thereof; FIG. 3 is a top plan view thereof; FIG. 4 is a front side view thereof; FIG. 5 is a rear side view thereof; and FIG. 6 is a bottom plan view thereof; and, FIG. 7 is a left side view thereof.
The broken lines are for environmental purposes only and form no part of the claimed design.

1 Claim, 3 Drawing Sheets



(56)

References Cited

U.S. PATENT DOCUMENTS

2009/0123821 A1* 5/2009 Kim H05K 1/182
429/124
2011/0070465 A1* 3/2011 Kim H01M 10/4257
429/7
2015/0207181 A1* 7/2015 Fink H01M 10/425
429/7
2017/0264059 A1* 9/2017 Cote H01R 13/717
2019/0131678 A1* 5/2019 Kim H01M 10/613
2019/0189982 A1* 6/2019 Lee H01M 10/0472
2019/0198952 A1* 6/2019 Choi H01M 2/204

* cited by examiner

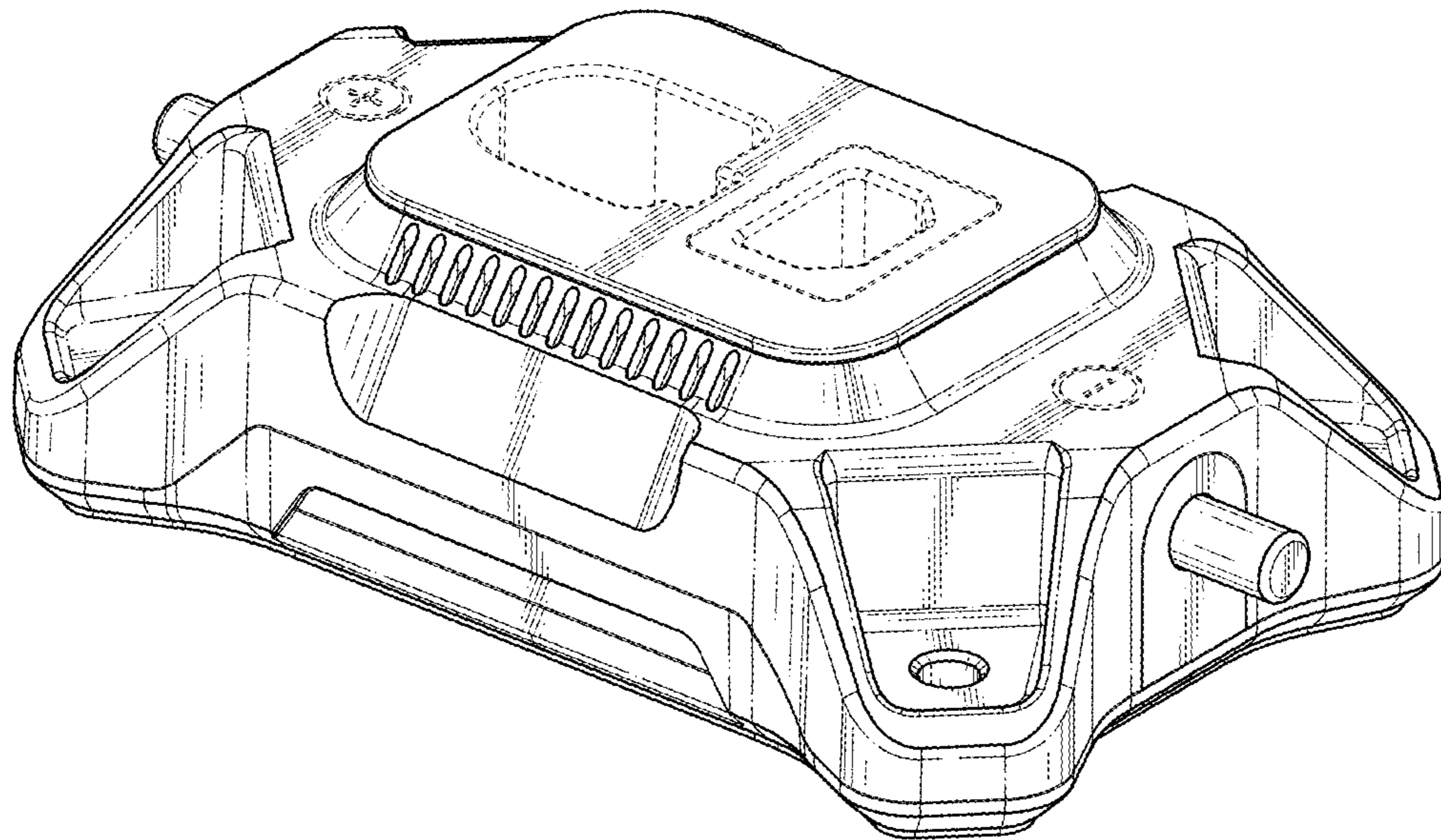


FIG. 1

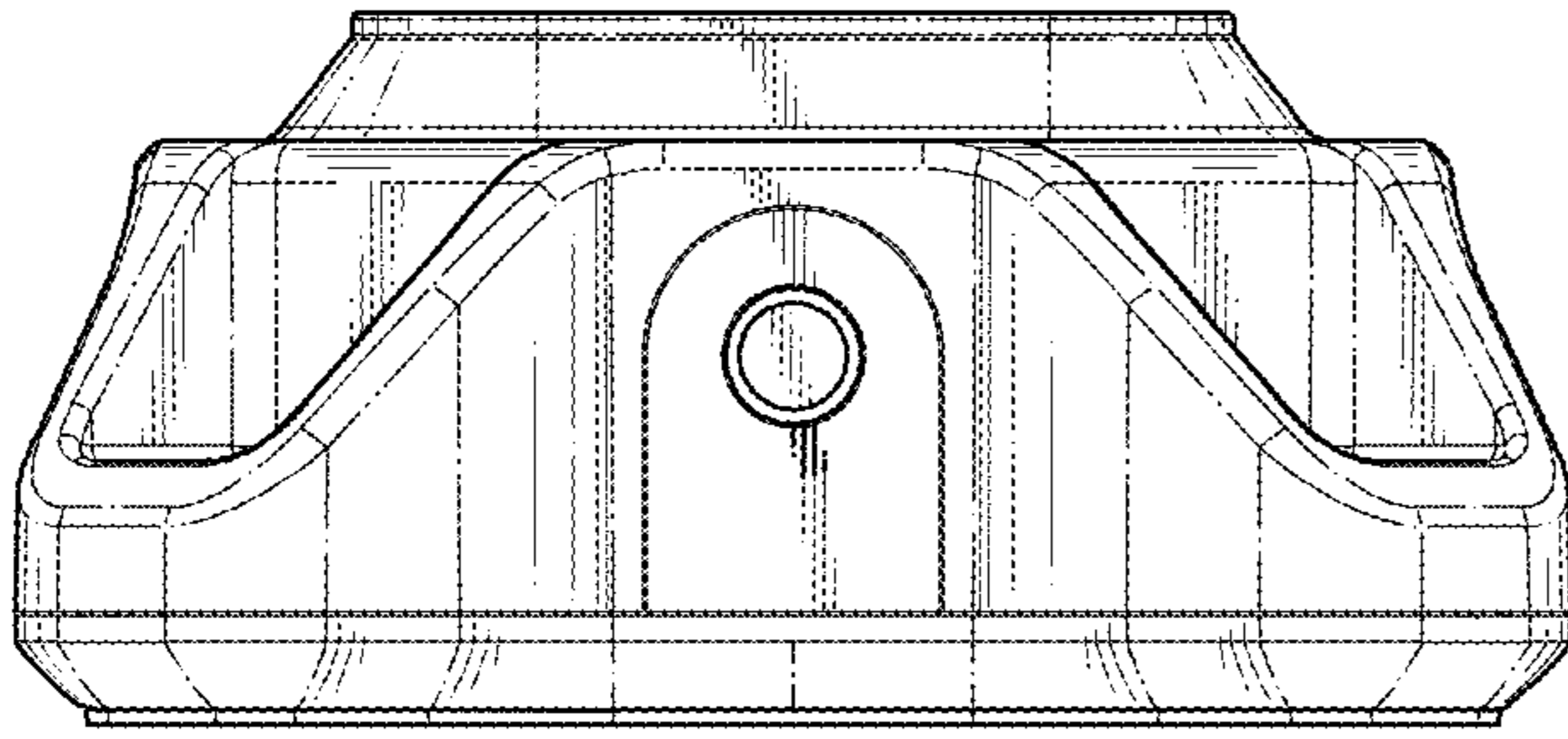


FIG. 2

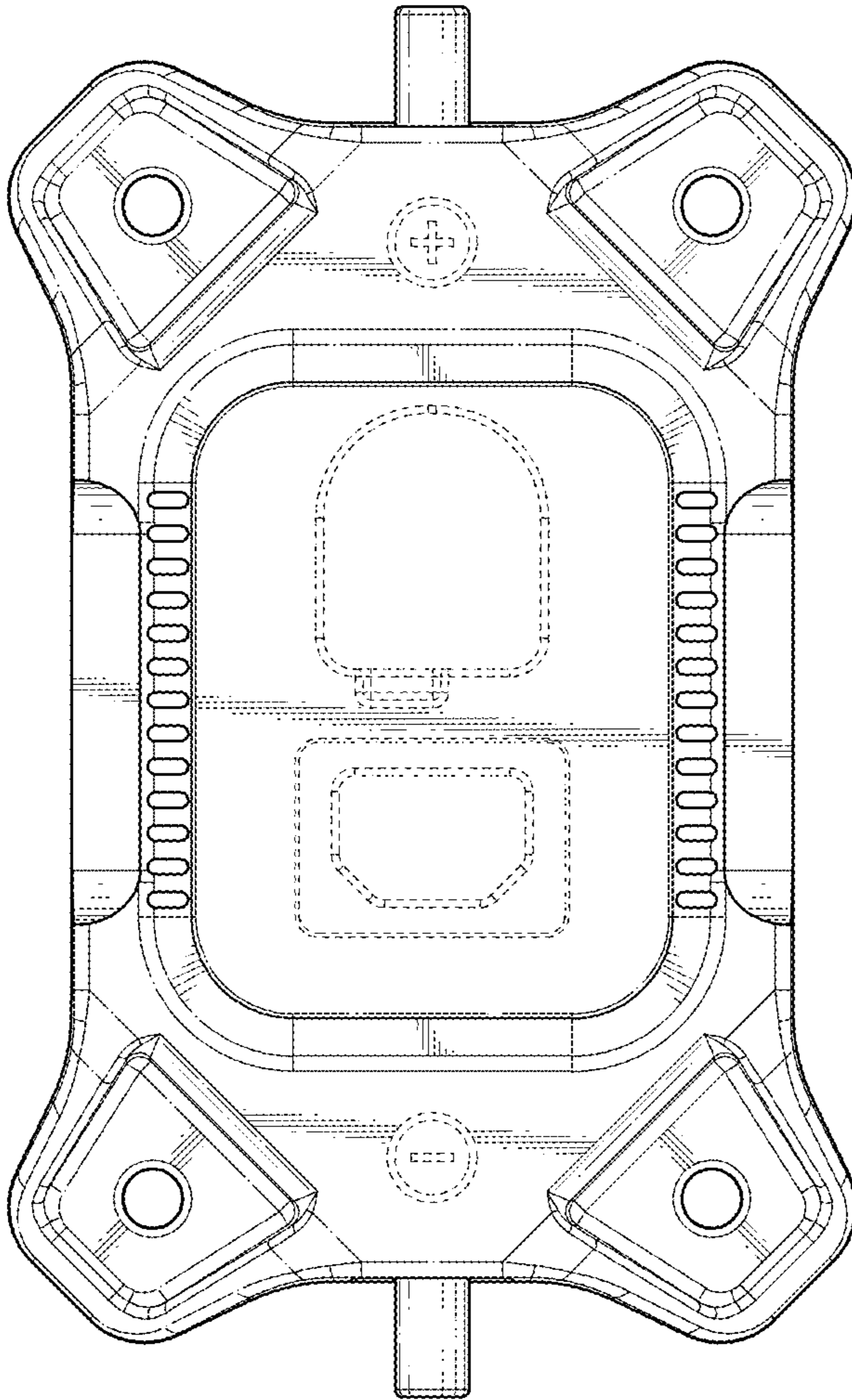


FIG. 3

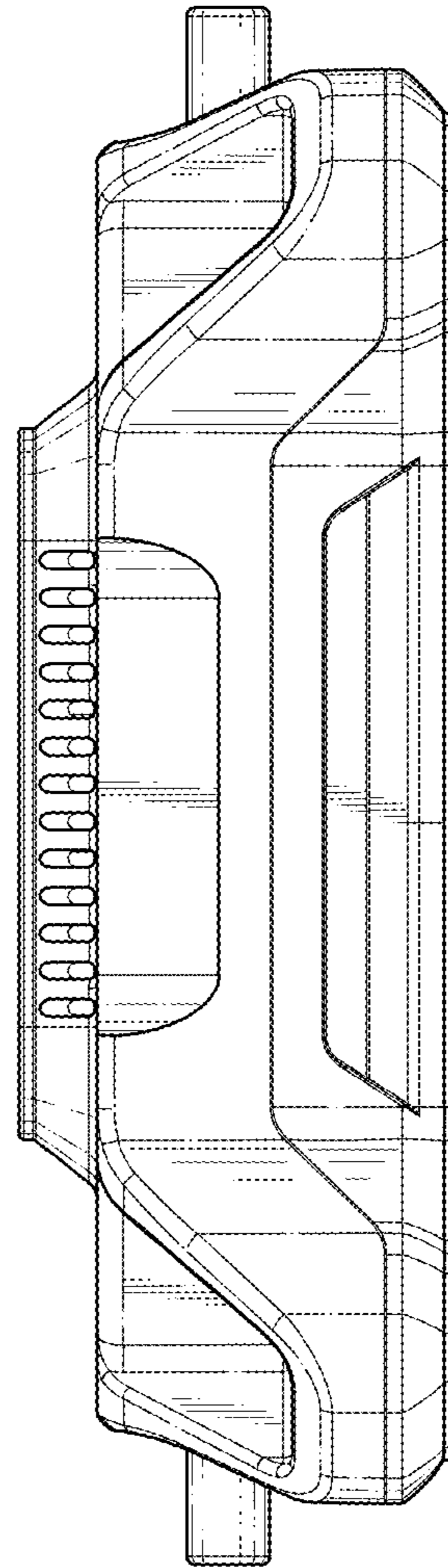


FIG. 4

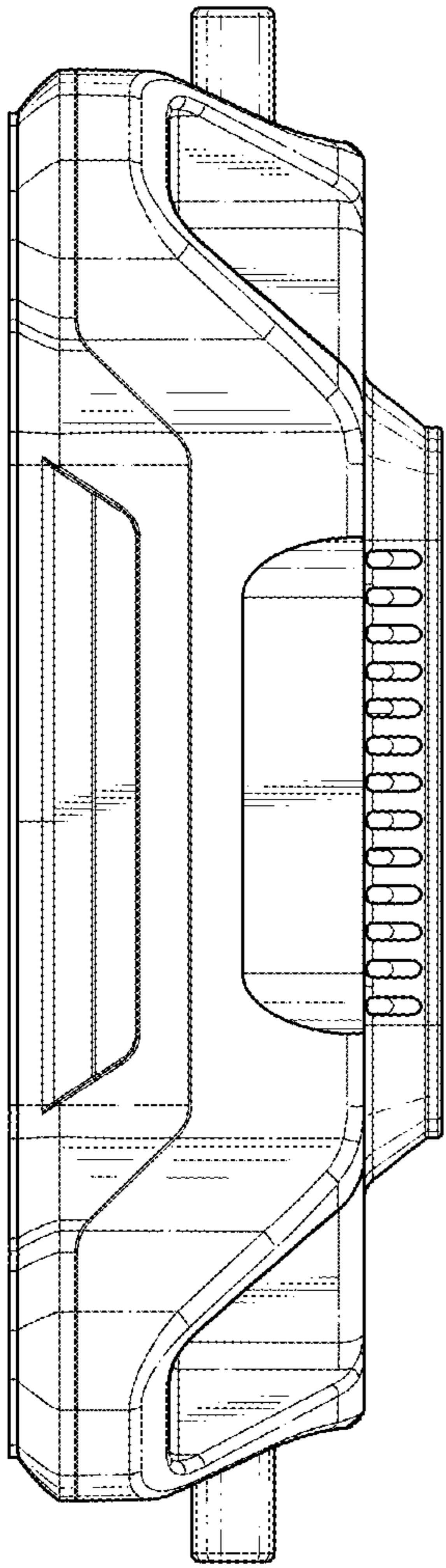


FIG. 5

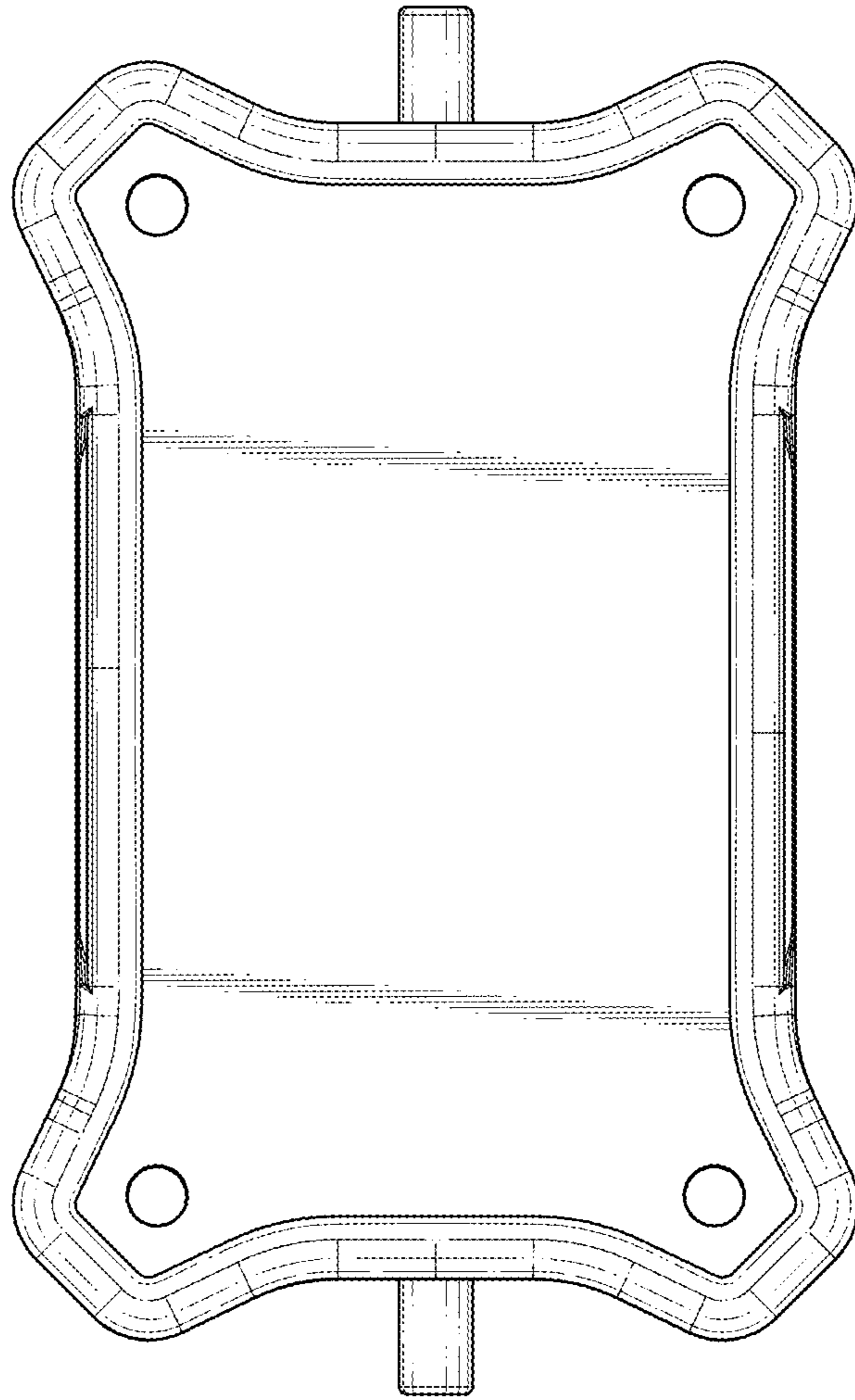


FIG. 6

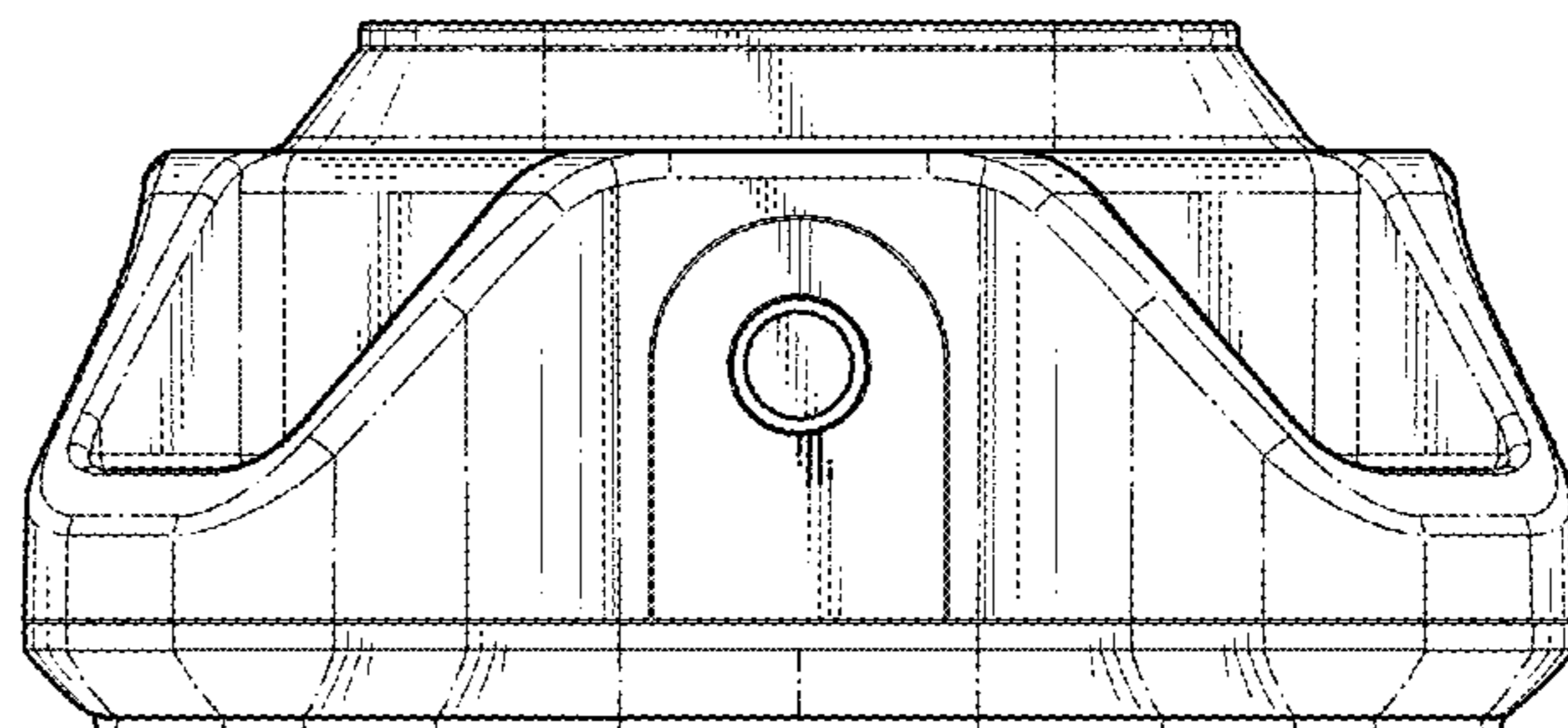


FIG. 7