



US00D896749S

(12) **United States Design Patent** (10) **Patent No.:** **US D896,749 S**
Wu (45) **Date of Patent:** **** Sep. 22, 2020**

(54) **JUMP STARTER**
(71) Applicant: **SHENZHEN JIEQI DIGITAL TECHNOLOGY CO., LTD**, Shenzhen (CN)
(72) Inventor: **Zhipeng Wu**, Shenzhen (CN)
(73) Assignee: **SHENZHEN JIEQI DIGITAL TECHNOLOGY CO., LTD**, Shenzhen (CN)
(**) Term: **15 Years**
(21) Appl. No.: **29/724,517**
(22) Filed: **Feb. 17, 2020**
(30) **Foreign Application Priority Data**

Nov. 28, 2019 (CN) 2019 3 0661336
(51) **LOC (12) Cl.** **13-02**
(52) **U.S. Cl.**
USPC **D13/107**
(58) **Field of Classification Search**
USPC D13/103, 107-8, 110, 184, 199
CPC H02J 7/0044; H02J 7/0045; H02J 7/0042;
H02J 7/342; H02J 7/345; H02J 7/025;
H02J 7/0007; H02J 7/0027; B60R 16/033
See application file for complete search history.

(56) **References Cited**
U.S. PATENT DOCUMENTS
D483,725 S * 12/2003 Thompson D13/184
D711,318 S * 8/2014 Xinfang D13/103
D711,819 S * 8/2014 To D13/108
D712,351 S * 9/2014 Zeng D13/103
D713,786 S * 9/2014 Wen D13/103
D742,310 S * 11/2015 Yen D13/108
D742,822 S * 11/2015 Ju D13/103

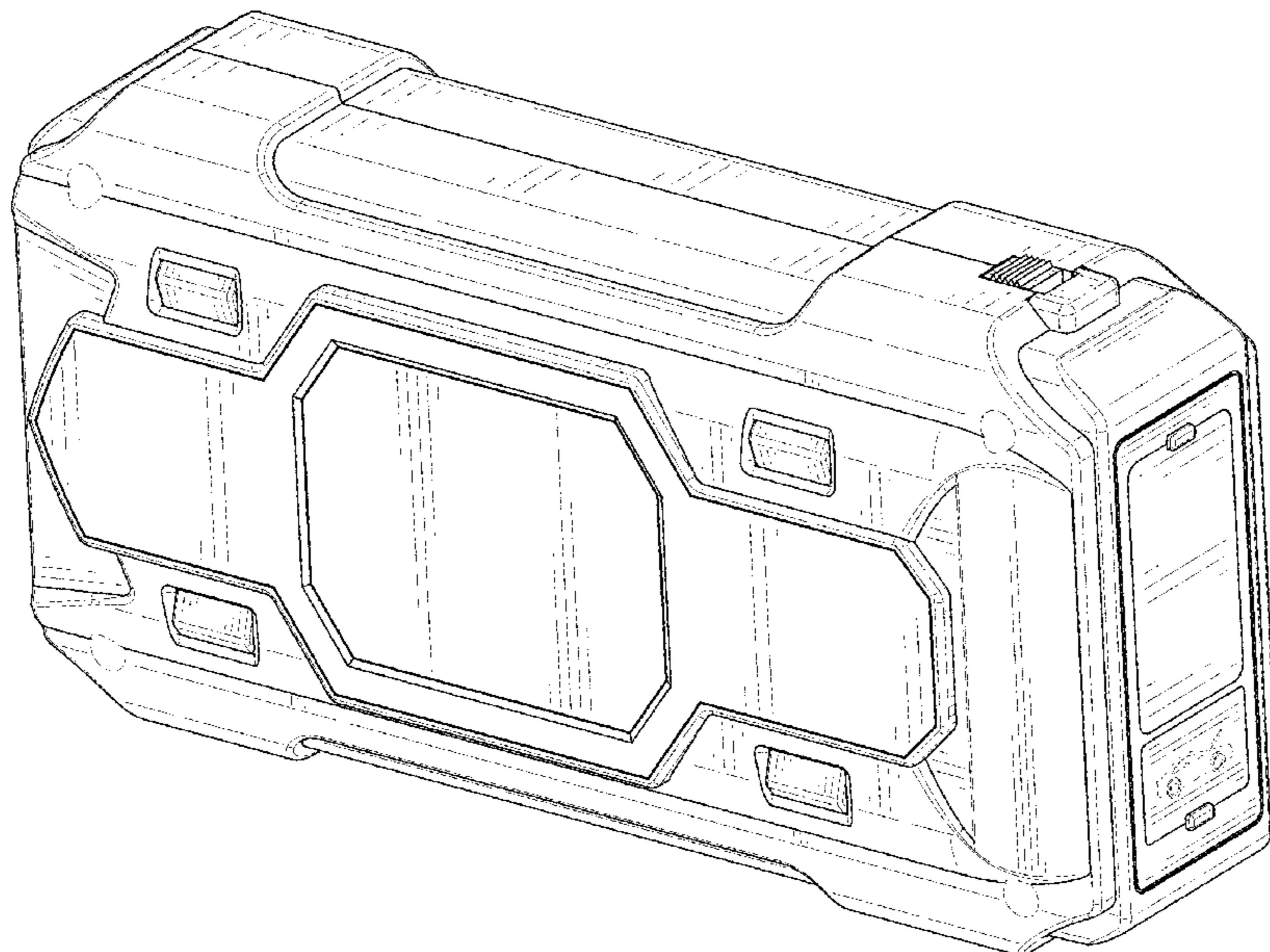
D743,332 S * 11/2015 Ju D13/103
D745,455 S * 12/2015 Nook D13/103
D746,770 S * 1/2016 Nook D13/103
D769,188 S * 10/2016 Miller D13/107
D780,689 S * 3/2017 Inskeep D13/107
D786,192 S * 5/2017 Liu D13/107
D803,151 S * 11/2017 Zhou D13/107
D804,415 S * 12/2017 Deng D13/108
D812,000 S * 3/2018 Li D13/108
D817,866 S * 5/2018 Liu D13/102
D821,306 S * 6/2018 Liu D13/107
D823,243 S * 7/2018 Toscani D13/107
D823,791 S 7/2018 Xu
D824,328 S * 7/2018 Liu D13/108
D851,586 S * 6/2019 Liu D13/108
D872,011 S * 1/2020 Rao D13/107
D874,396 S * 2/2020 Rao D13/107
2007/0285049 A1 12/2007 Krieger et al.
2016/0359352 A1* 12/2016 Chiu G09F 9/301
2018/0166897 A1* 6/2018 Deng H02J 7/0044
(Continued)

Primary Examiner — Rosemary K Tarcza

(57) **CLAIM**
The ornamental design for a jump starter, as shown and described.

DESCRIPTION
FIG. 1 is a perspective view of a jump starter showing my new design;
FIG. 2 is another perspective view thereof;
FIG. 3 is a front elevational view thereof;
FIG. 4 is a rear elevational view thereof;
FIG. 5 is a left side elevational view thereof;
FIG. 6 is a right side elevational view thereof;
FIG. 7 is a top plan view thereof;
FIG. 8 is a bottom plan view thereof; and,
FIG. 9 is an exploded perspective view thereof.
The broken lines in the drawings depict portions of the jump starter that form no part of the claimed design.

1 Claim, 9 Drawing Sheets



(56)

References Cited

U.S. PATENT DOCUMENTS

2018/0269703 A1* 9/2018 Nook F02N 11/12
2020/0112187 A1* 4/2020 Reinger H02J 7/025

* cited by examiner

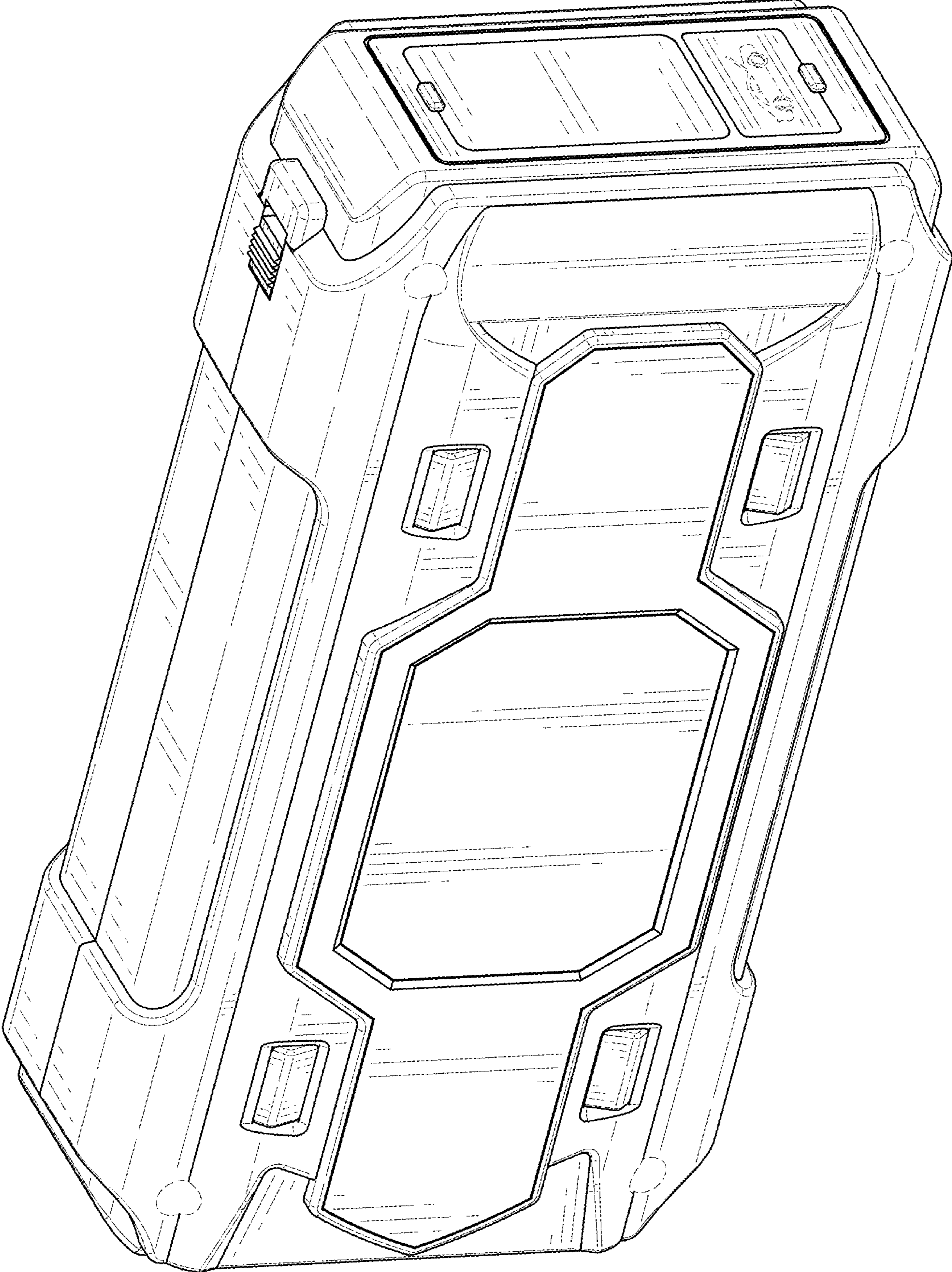


FIG. 1

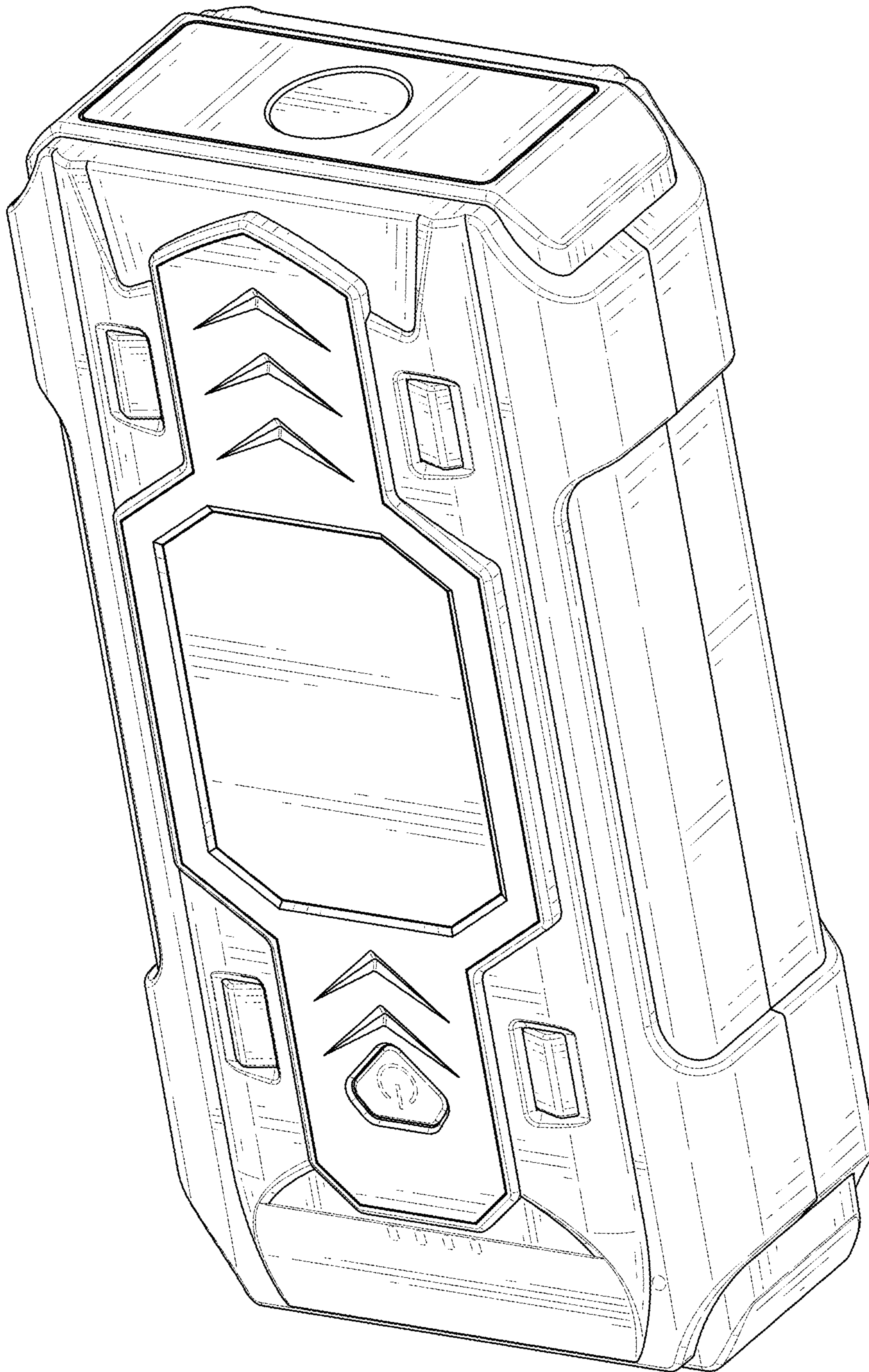


FIG. 2

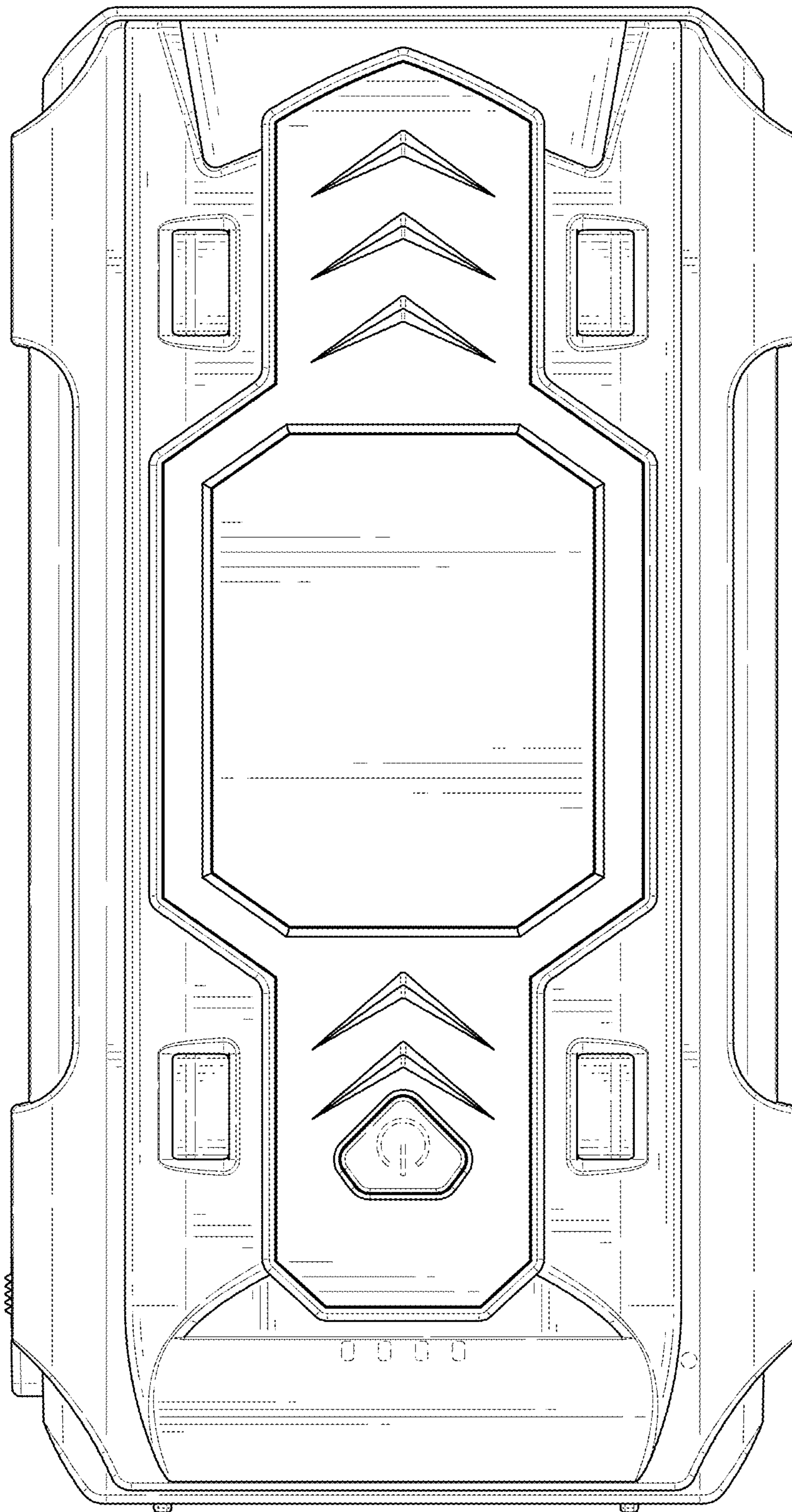


FIG. 3

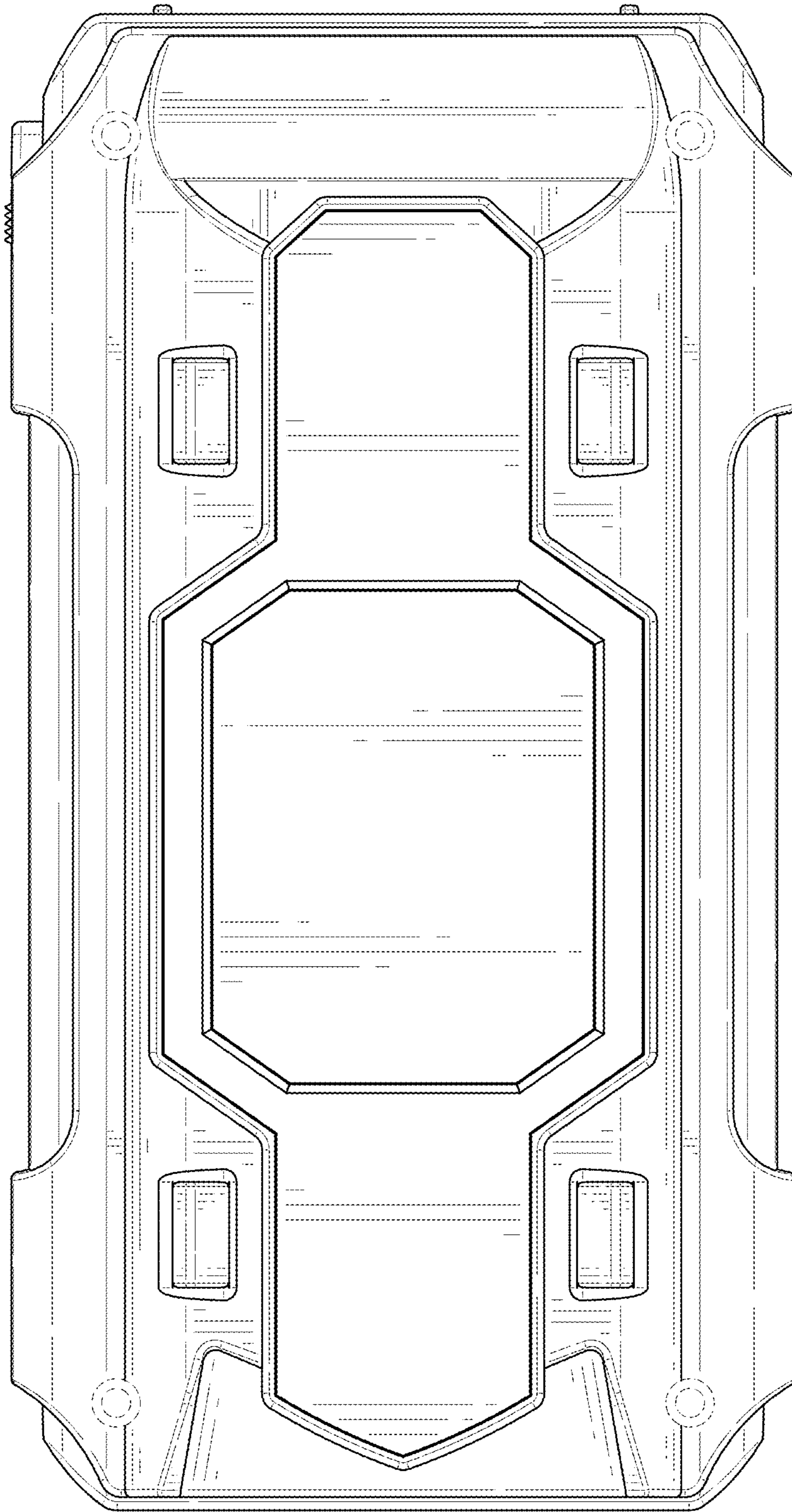


FIG. 4

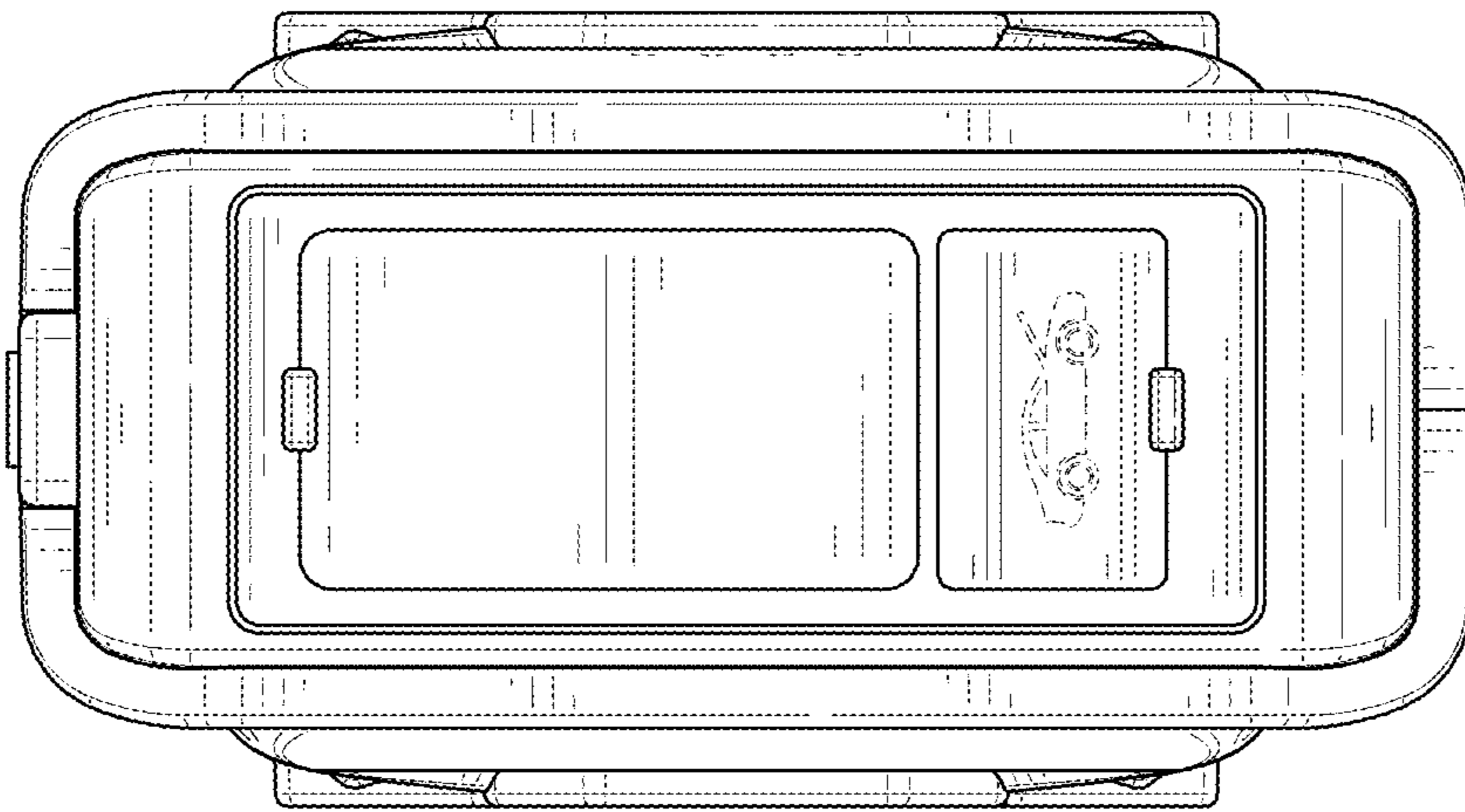


FIG. 5

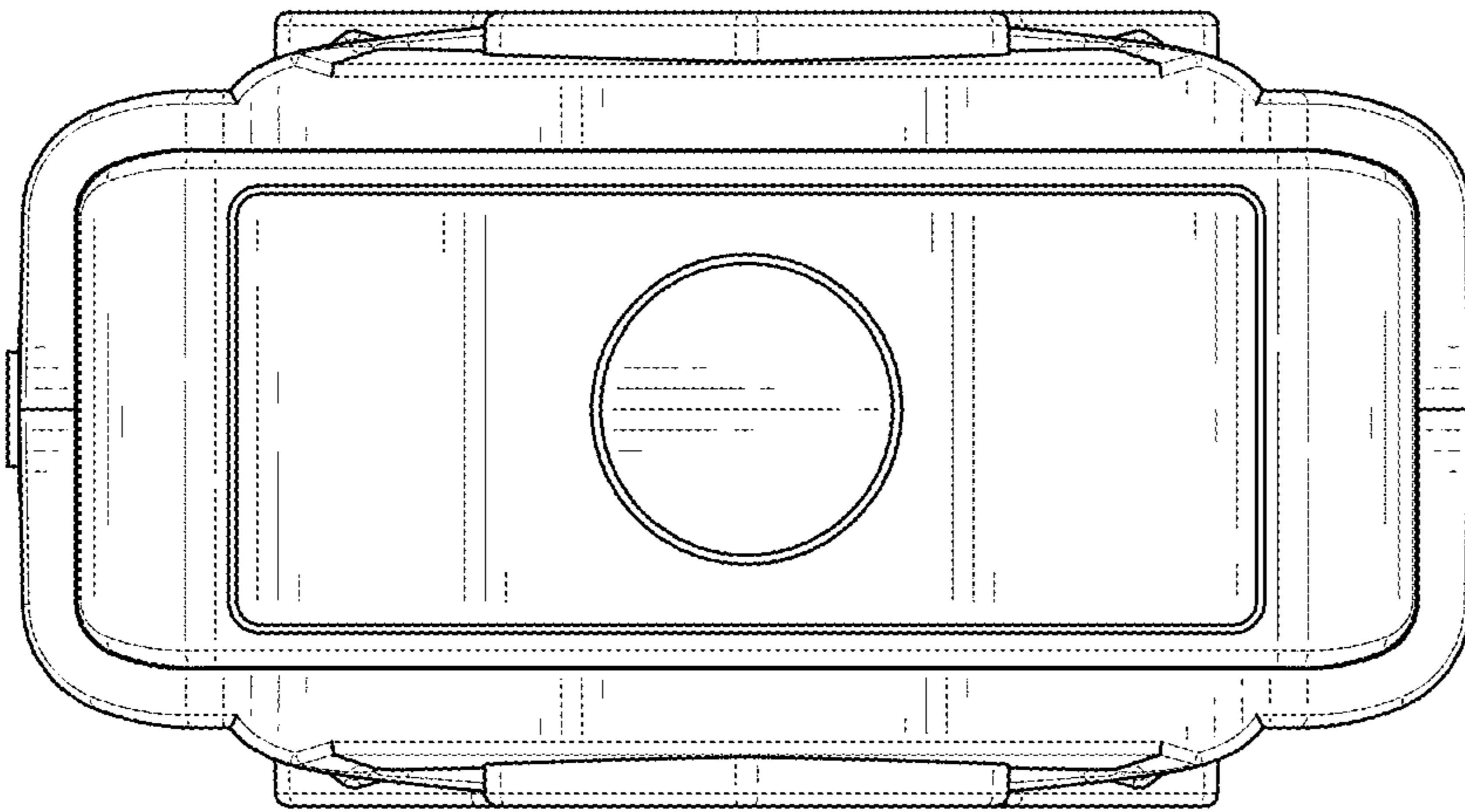


FIG. 6

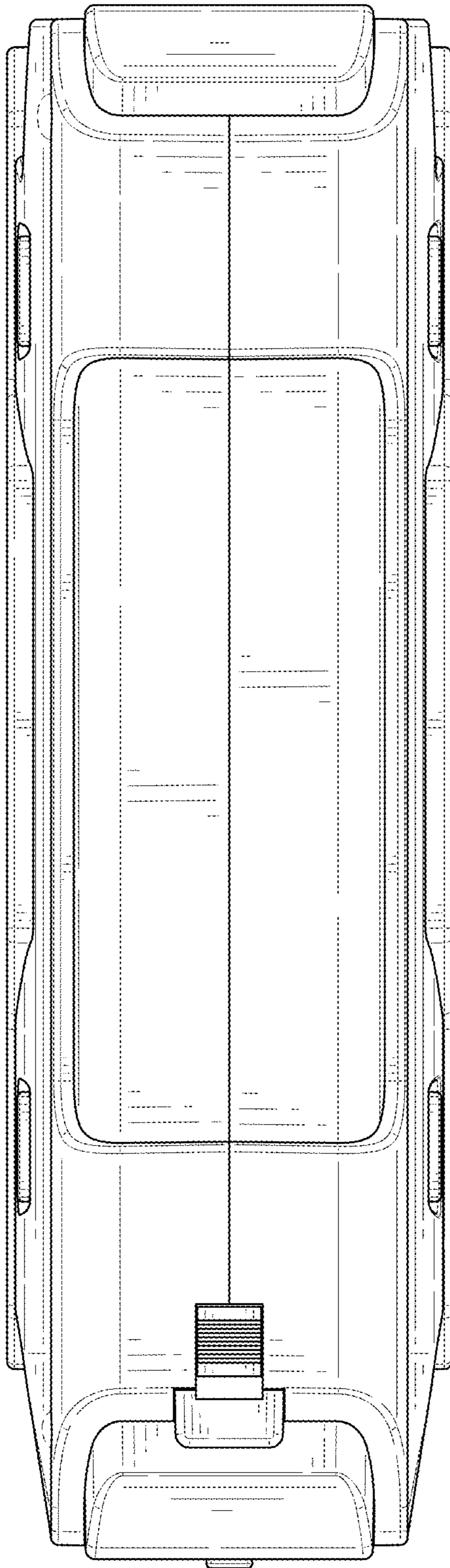


FIG. 7

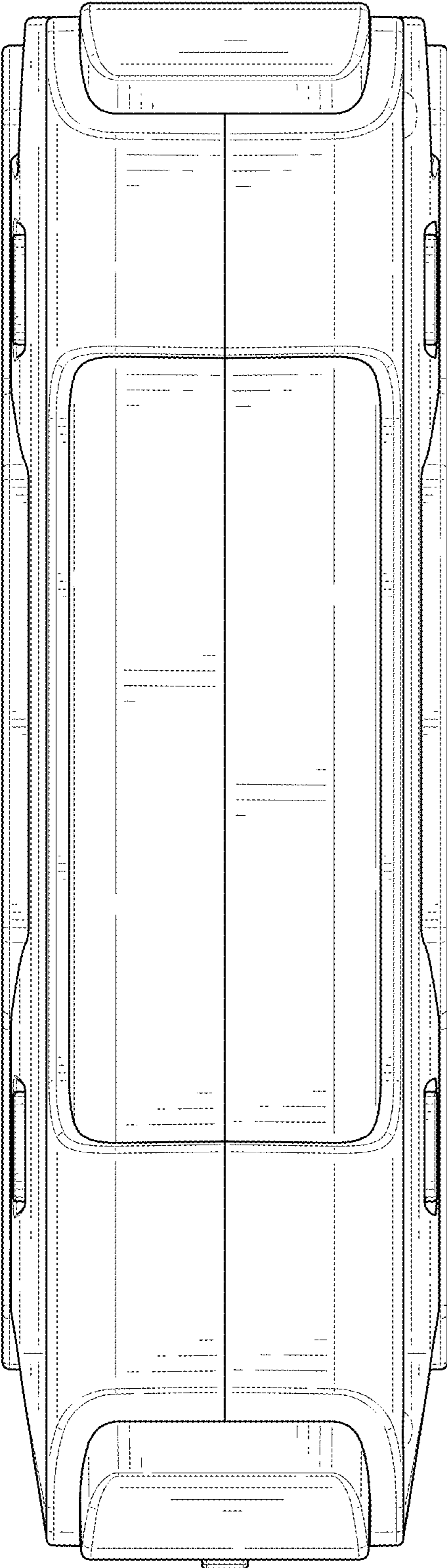


FIG. 8

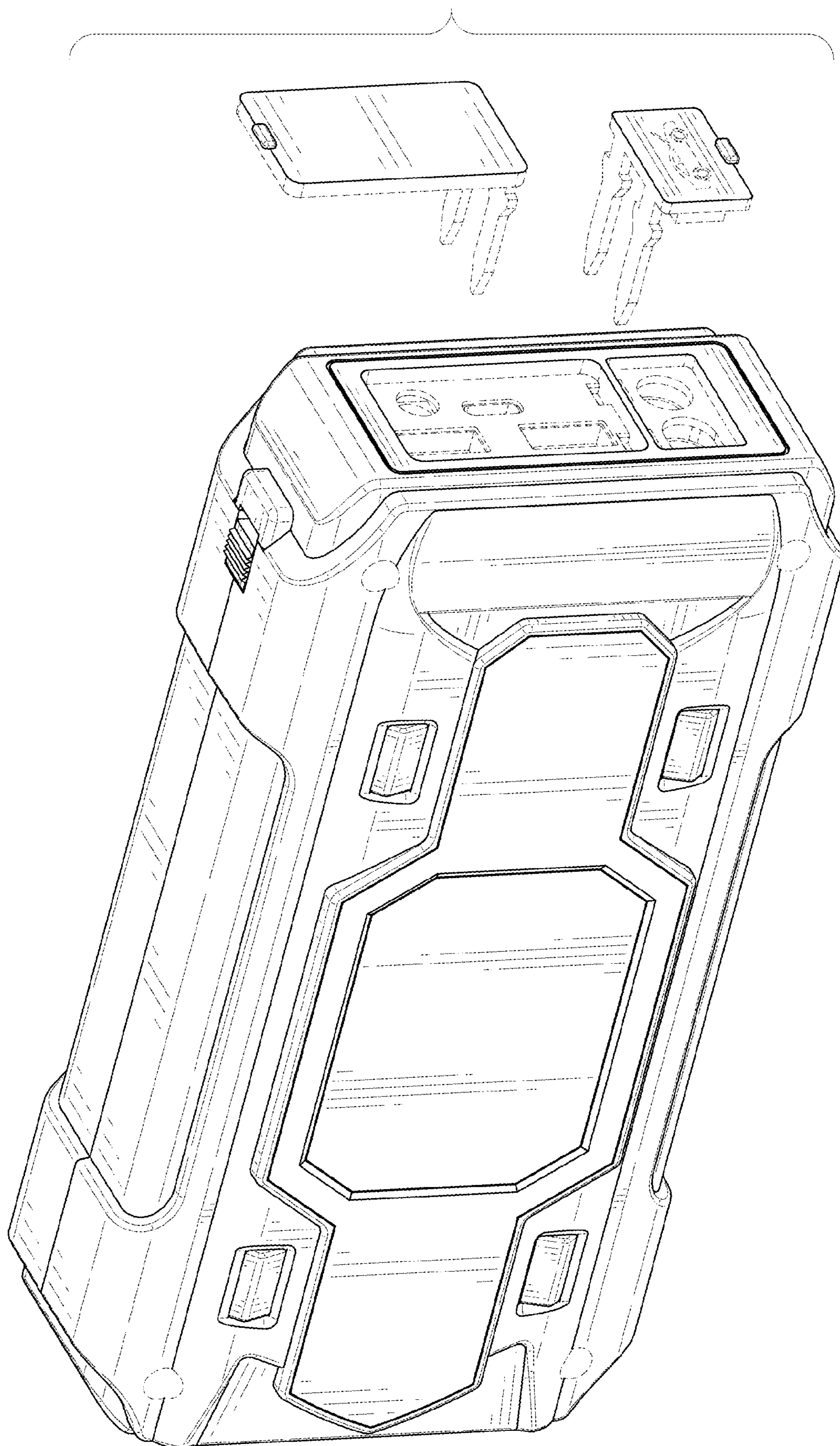


FIG. 9