



US00D896734S

(12) **United States Design Patent** (10) **Patent No.:** **US D896,734 S**
McSweyn (45) **Date of Patent:** **** Sep. 22, 2020**

(54) **ADHESIVE MOUNT BASE**
(71) Applicant: **Scosche Industries, Inc.**, Oxnard, CA (US)
(72) Inventor: **Christopher Michael McSweyn**, Oxnard, CA (US)
(73) Assignee: **Scosche Industries, Inc.**, Oxnard, CA (US)

6,382,482 B1 5/2002 Chao
6,502,727 B1 1/2003 Decoteau
D479,196 S 9/2003 Shih
(Continued)

FOREIGN PATENT DOCUMENTS

CN 201113495 Y 9/2008
CN 202042680 U 11/2011
(Continued)

OTHER PUBLICATIONS

The Original iMagnet Cradle-Less Universal Car Phone Windshield Dashboard Mount Holder for iPhone 6, 6 Plus, 6S, 6S Plus, 5S 5, Galaxy S6 S5, Note 5 4 3, With Official iMagnet Logo, iMagnet, Amazon.com, Aug. 19, 2012.

(Continued)

Primary Examiner — Katrina A Betton

(74) *Attorney, Agent, or Firm* — Stetina Brunda Garred & Brucker

(**) Term: **15 Years**
(21) Appl. No.: **29/675,782**
(22) Filed: **Jan. 4, 2019**
(51) **LOC (12) Cl.** **12-16**
(52) **U.S. Cl.**
USPC **D12/415**
(58) **Field of Classification Search**
USPC D12/415-420, 400, 191, 423; D6/513, D6/514, 553, 556, 559; D14/253
CPC B60R 2011/0005; B60R 11/02
See application file for complete search history.

(57) **CLAIM**

The ornamental design for an adhesive mount base, as shown and described.

(56) **References Cited**

U.S. PATENT DOCUMENTS

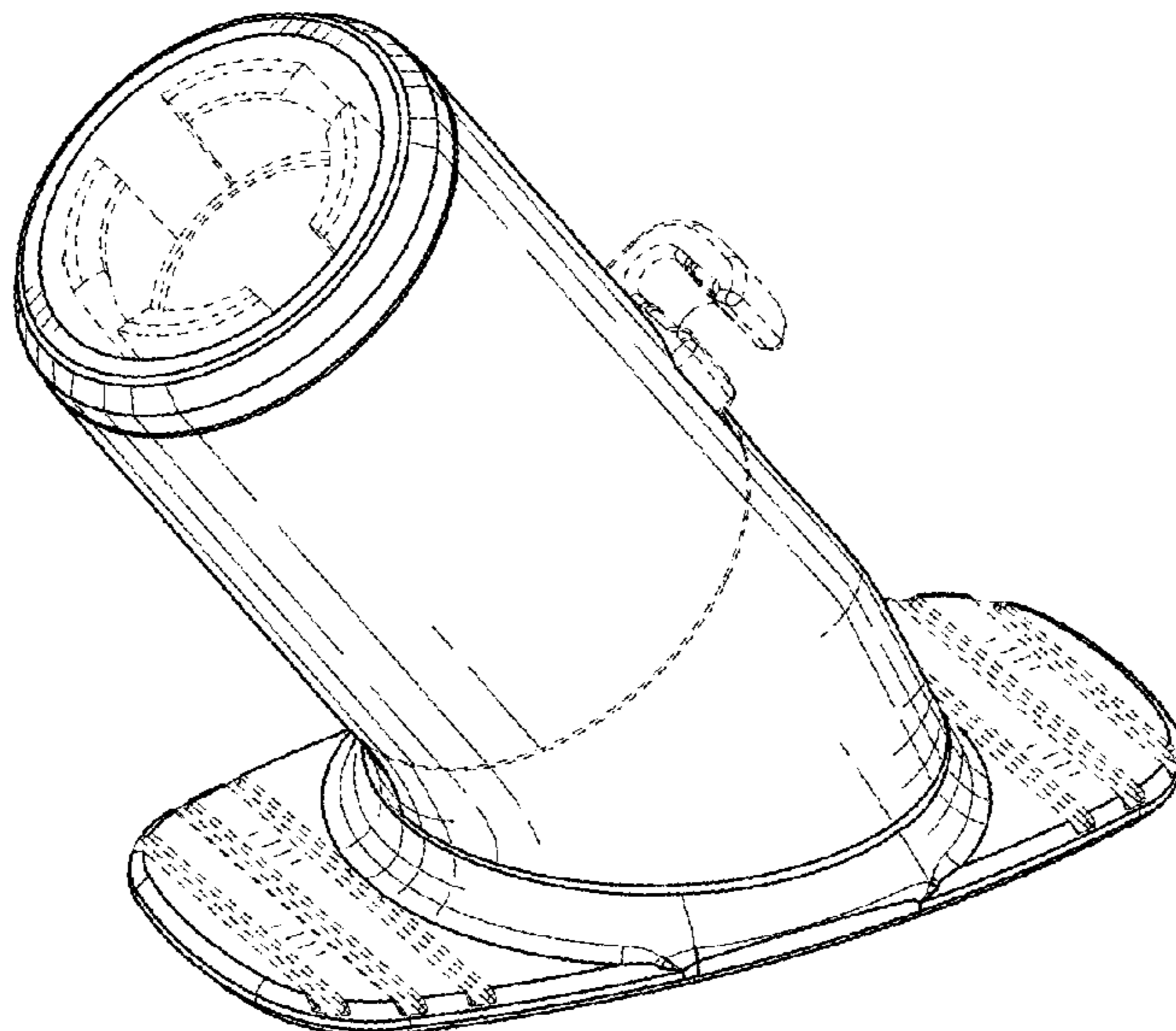
3,329,277 A 7/1967 Gaudino
3,642,122 A 2/1972 Von Ende
D306,396 S 3/1990 Brushaber
D317,697 S 6/1991 Lage
D327,840 S 7/1992 Askew
5,213,240 A 5/1993 Dietz et al.
D362,230 S 9/1995 Yokozawa
D362,657 S 9/1995 Tomikawa et al.
D398,796 S 9/1998 Fauchald et al.
5,992,807 A 11/1999 Tarulli
6,075,499 A 6/2000 Edwards et al.
6,076,790 A 6/2000 Richter
6,135,408 A 10/2000 Richter
6,149,116 A 11/2000 Won
6,305,656 B1 10/2001 Wemyss

DESCRIPTION

FIG. 1 is a front perspective view showing an adhesive mount base of the present invention; FIG. 2 is a front view thereof; FIG. 3 is a right side view thereof; FIG. 4 is a top view thereof; FIG. 5 is a bottom view thereof; FIG. 6 is a left side view thereof; and, FIG. 7 is rear view thereof.

In the drawings, the broken line showings are for purposes of illustrating environmental structure or portions of the adhesive mount base that form no part of the claimed design.

1 Claim, 2 Drawing Sheets



(56)

References Cited

U.S. PATENT DOCUMENTS

D489,578 S 5/2004 Lai
 6,888,940 B1 5/2005 Deppen
 6,959,640 B2 11/2005 Flick
 7,021,593 B1 4/2006 Fan
 D521,850 S 5/2006 Richter et al.
 D530,333 S 10/2006 Richter
 D543,439 S 5/2007 Brassard
 D551,058 S 9/2007 Carnevali
 D552,454 S 10/2007 Fynn
 D553,959 S 10/2007 Brassard
 D554,042 S 10/2007 Richter
 D554,491 S 11/2007 Stenberg
 7,296,771 B2 11/2007 Kalis et al.
 D560,592 S 1/2008 Brassard
 D561,345 S 2/2008 Flick
 D563,309 S 3/2008 Richter
 D565,937 S 4/2008 Tsai
 7,374,142 B2 5/2008 Carnevali
 D570,836 S 6/2008 Chen
 D576,865 S 9/2008 Chiang et al.
 7,431,251 B2 10/2008 Carnevali
 D588,903 S 3/2009 Carnevali
 D590,835 S 4/2009 Richter
 D592,205 S 5/2009 O'Brien
 D600,991 S 9/2009 Lai
 D603,322 S 11/2009 Nicieja
 D604,722 S 11/2009 Mistry
 D609,644 S 2/2010 Lin
 D609,695 S 2/2010 Cigliano et al.
 D618,221 S 6/2010 Fahrendorff et al.
 D638,008 S 5/2011 Richter
 D640,242 S 6/2011 Fahrendorff et al.
 8,016,255 B2 9/2011 Lin
 D654,874 S 2/2012 Au
 D656,128 S 3/2012 Park
 D656,465 S 3/2012 Au
 D656,899 S 4/2012 Webb et al.
 D657,781 S 4/2012 Yang
 D670,157 S 11/2012 Mo
 D671,074 S 11/2012 Hori et al.
 D677,709 S 3/2013 Skeoch et al.
 D681,867 S 5/2013 Wegger et al.
 D686,595 S 7/2013 Andre et al.
 8,496,222 B2 7/2013 Li
 D687,441 S 8/2013 Janzen
 D690,707 S 10/2013 Minn et al.
 D694,249 S 11/2013 Akana et al.
 D700,175 S 2/2014 Ohm
 D705,211 S 5/2014 Huang
 D709,066 S 7/2014 Byun
 D709,072 S 7/2014 Askew-Harris et al.
 D711,322 S 8/2014 McSweyn et al.
 D713,398 S 9/2014 Alesi et al.
 D715,132 S 10/2014 McSweyn et al.
 D718,612 S 12/2014 McSweyn et al.
 D719,959 S 12/2014 Vogel
 D727,259 S 4/2015 Hwang
 D730,723 S 6/2015 McSweyn et al.
 D735,132 S 7/2015 Donohue, II et al.
 D739,708 S 9/2015 McSweyn et al.
 D750,633 S 3/2016 Minn et al.
 D761,769 S 7/2016 Harper
 D772,203 S 11/2016 Zeng
 D778,713 S 2/2017 McSweyn et al.
 D782,415 S 3/2017 Zhang

D792,380 S 7/2017 Harper
 D831,665 S 10/2018 Yao et al.
 D831,666 S 10/2018 Yao et al.
 D862,454 S * 10/2019 Chun D14/253
 D864,092 S * 10/2019 Zhang D12/415
 D865,751 S * 11/2019 Richter D14/253
 D868,054 S * 11/2019 Kim D14/253
 D873,260 S * 1/2020 Dang D14/253
 D873,813 S * 1/2020 Zhong D14/253
 D874,385 S * 2/2020 Jang D12/415
 D876,316 S * 2/2020 Peters D12/415
 D877,138 S * 3/2020 McSweyn D14/253
 D877,688 S * 3/2020 Liu D12/415
 D878,539 S * 3/2020 Lu D23/368
 D879,090 S * 3/2020 Chung D14/253
 D882,486 S * 4/2020 Deng D12/415
 2005/0092875 A1 5/2005 Carnevali
 2006/0290654 A1 12/2006 Wang
 2007/0018064 A1 1/2007 Wang
 2008/0023606 A1 1/2008 Kalis
 2011/0192857 A1 8/2011 Rothbaum et al.
 2012/0229300 A1 9/2012 Fu
 2012/0292463 A1 11/2012 Burns
 2012/0295451 A1 11/2012 Hyun-Jun et al.
 2013/0043827 A1 2/2013 Weinstein et al.
 2013/0187020 A1 7/2013 Trotsky
 2014/0346295 A1 11/2014 Song
 2014/0357094 A1 12/2014 Kim
 2015/0207351 A1 7/2015 Hamburgers et al.
 2015/0288205 A1 10/2015 Weinstein et al.

FOREIGN PATENT DOCUMENTS

CN 203193688 U 9/2013
 CN 203416030 U 1/2014
 JP 2000231910 A 8/2000

OTHER PUBLICATIONS

Mounts posted by Scoshe found on Sep. 27, 2016 at <http://www.scoshe.com/consumer-tech/mounts>.
 Magnetic Nanoport links phones to accessories, cars, each other; Jan. 7, 2014 <http://www.cnet.com/news/magnetic-nanoport-links-phones-to-accessories-cars-each-other/>.
 Clever smartphone case offers an ingenious way to charge your phone on the go; Jun. 20, 2014 <http://bgr.com/2014/06/20/best-smartphone-accessories-zolo/>.
 Logitech Case+ Review: Brilliant iPhone Case Concept, Flawed Execution; May 13, 2014 <http://time.com/98112/logitech-case-plus-review/>.
 Scoshe Magic Mount Pro Home Qi, Scoshe published on Jan. 30, 2017 on twice.com, retrieved from the Internet URL: <http://www.twice.com/twice-picks-award-sinner-scoshe-mpqhd-magicmount-pro-home-qi/64136>.
 Japanese Office Action dated Jan. 29, 2019 [Japanese Design Application No. 2018-016592].
 Korean Office Action dated Dec. 3, 2018 [Korean Design Application No. 30-2018-0034999].
<https://www.scoshe.com/awards>; Jan. 9, 2018.
 Design of "wireless charger for mobile phone" Registration No. 30-0842715 published on Mar. 4, 2016 in the South Korea Design Trademark Bulletin.
 Korean Office Action dated Dec. 3, 2018 [Korean Design Application No. 30-2018-0035007].

* cited by examiner

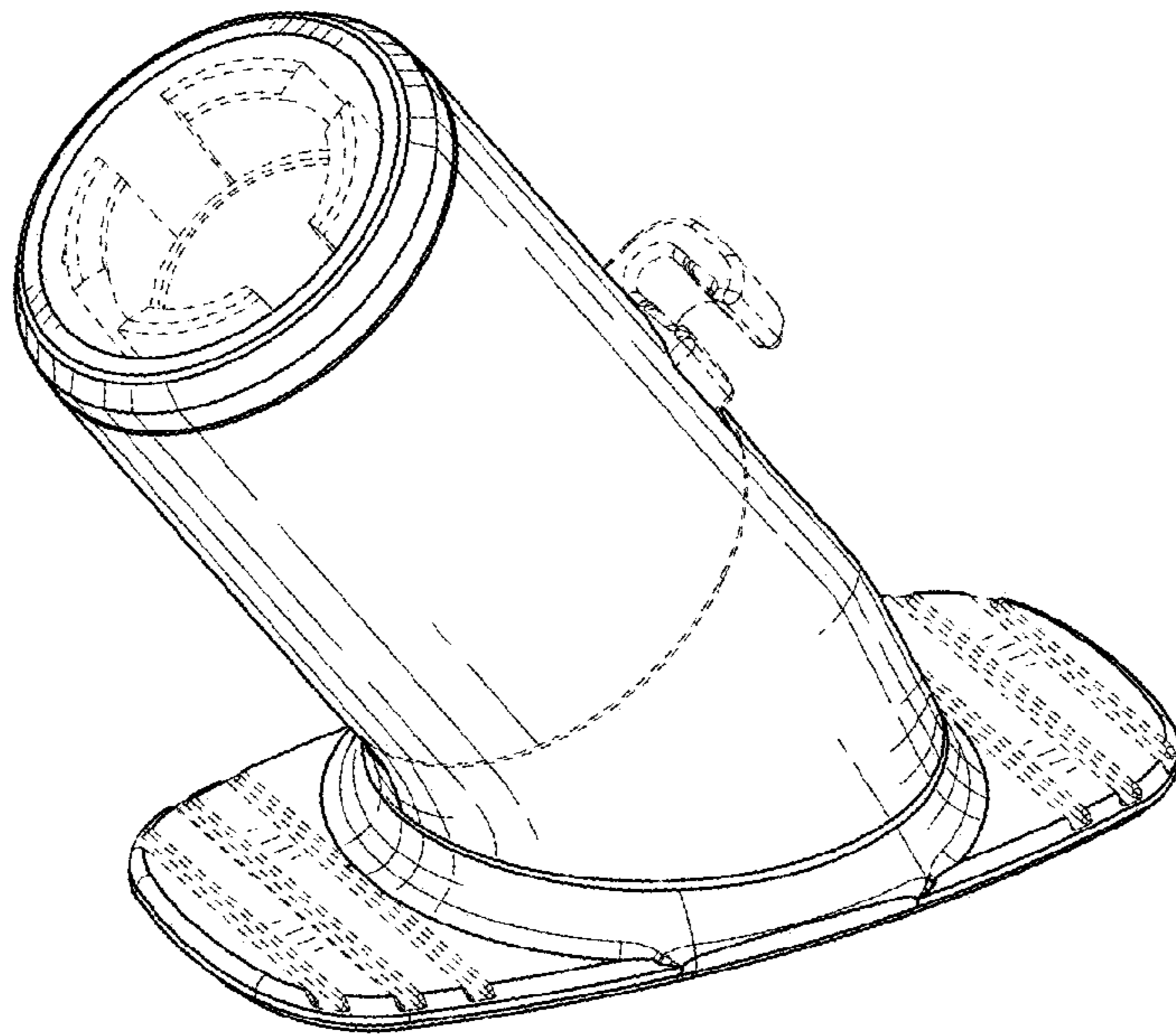


FIG. 1

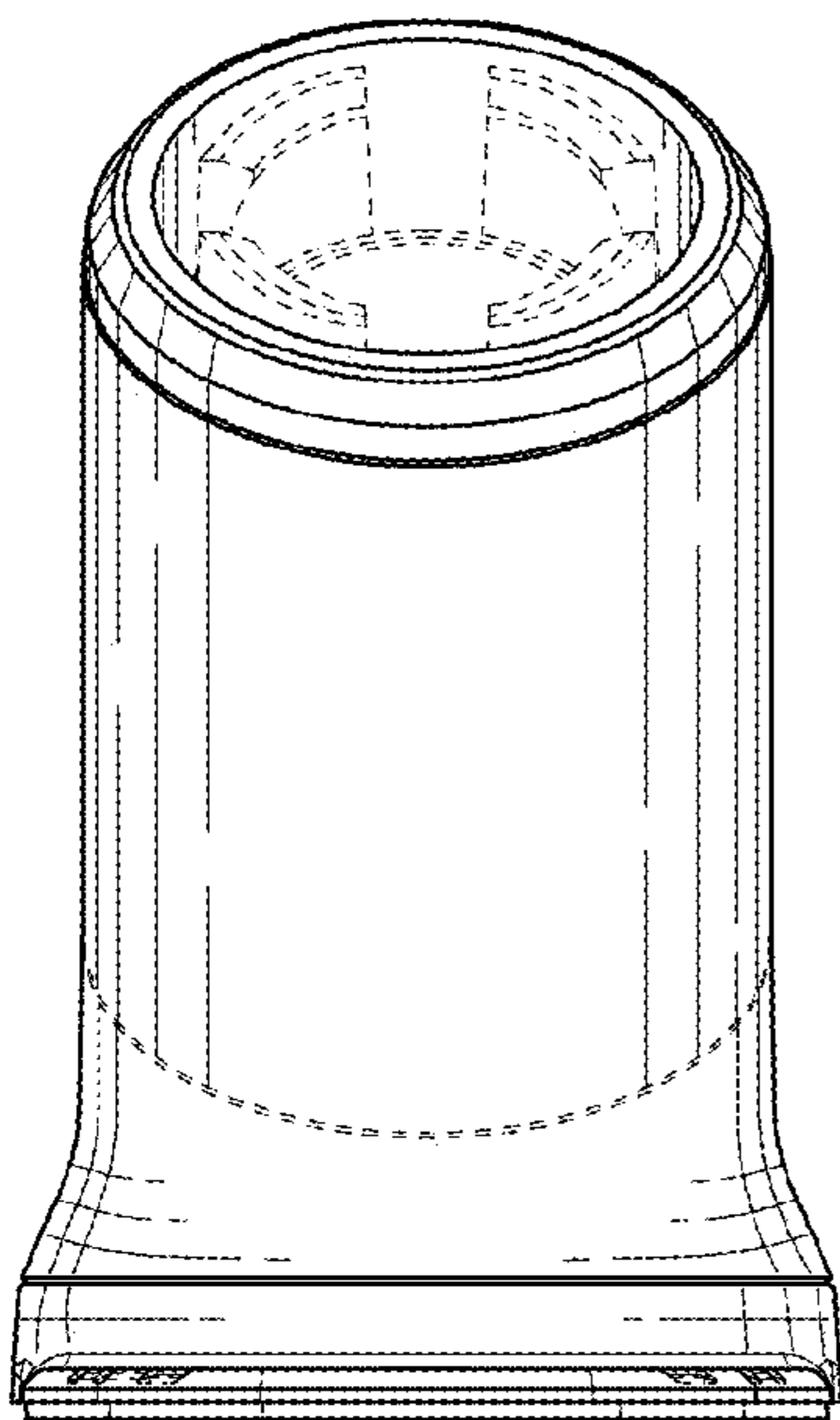


FIG. 2

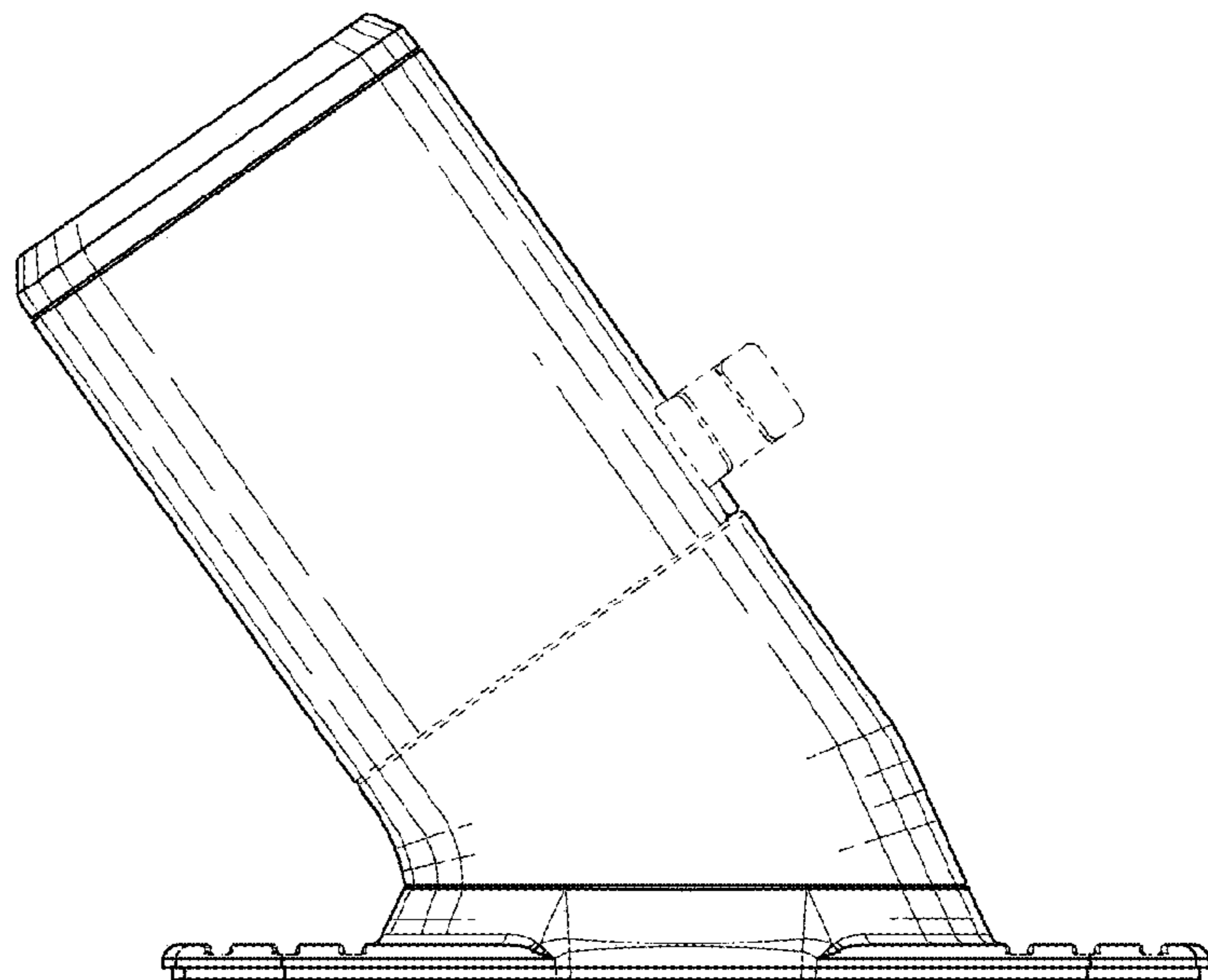


FIG. 3

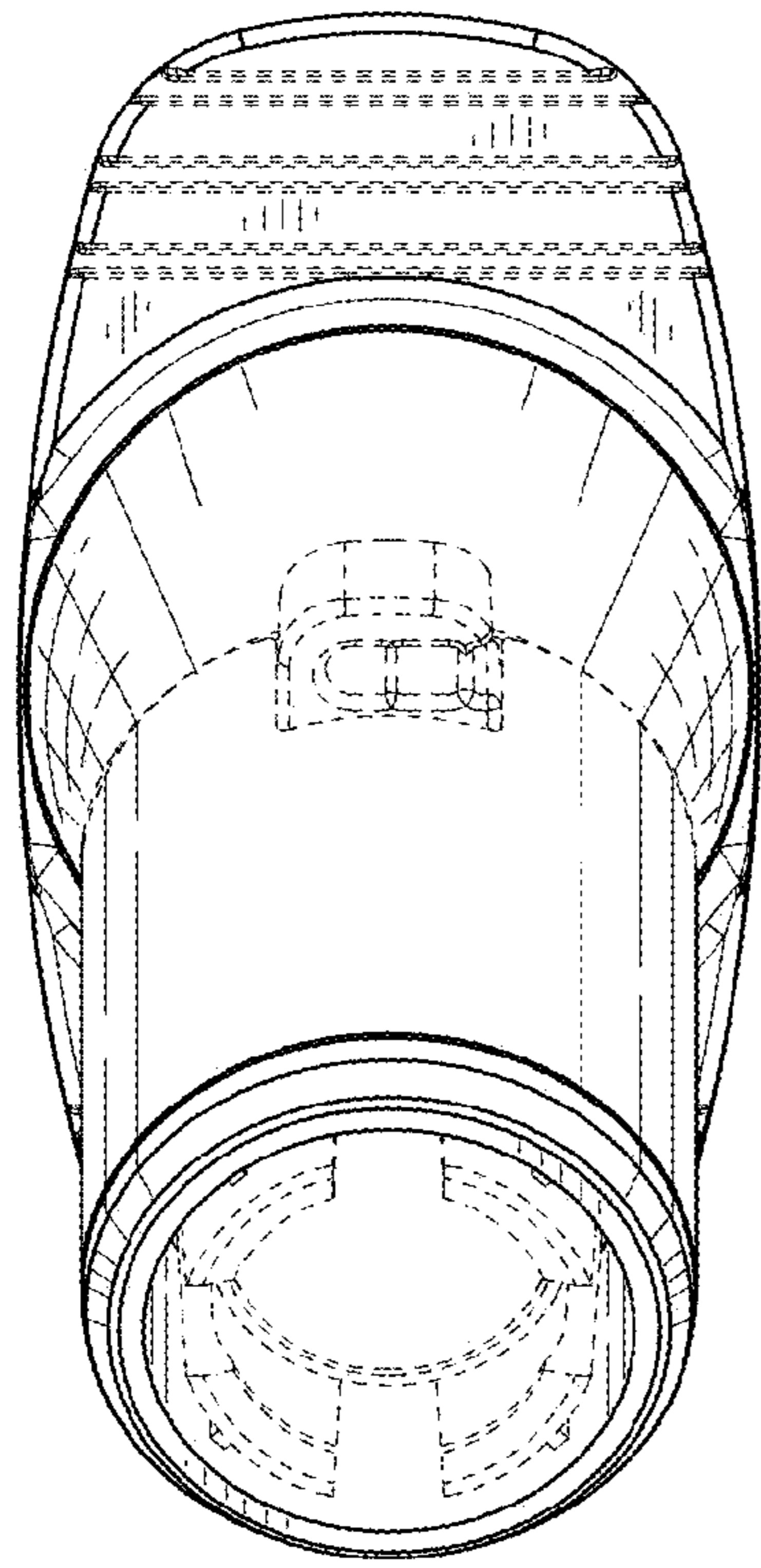


FIG. 4

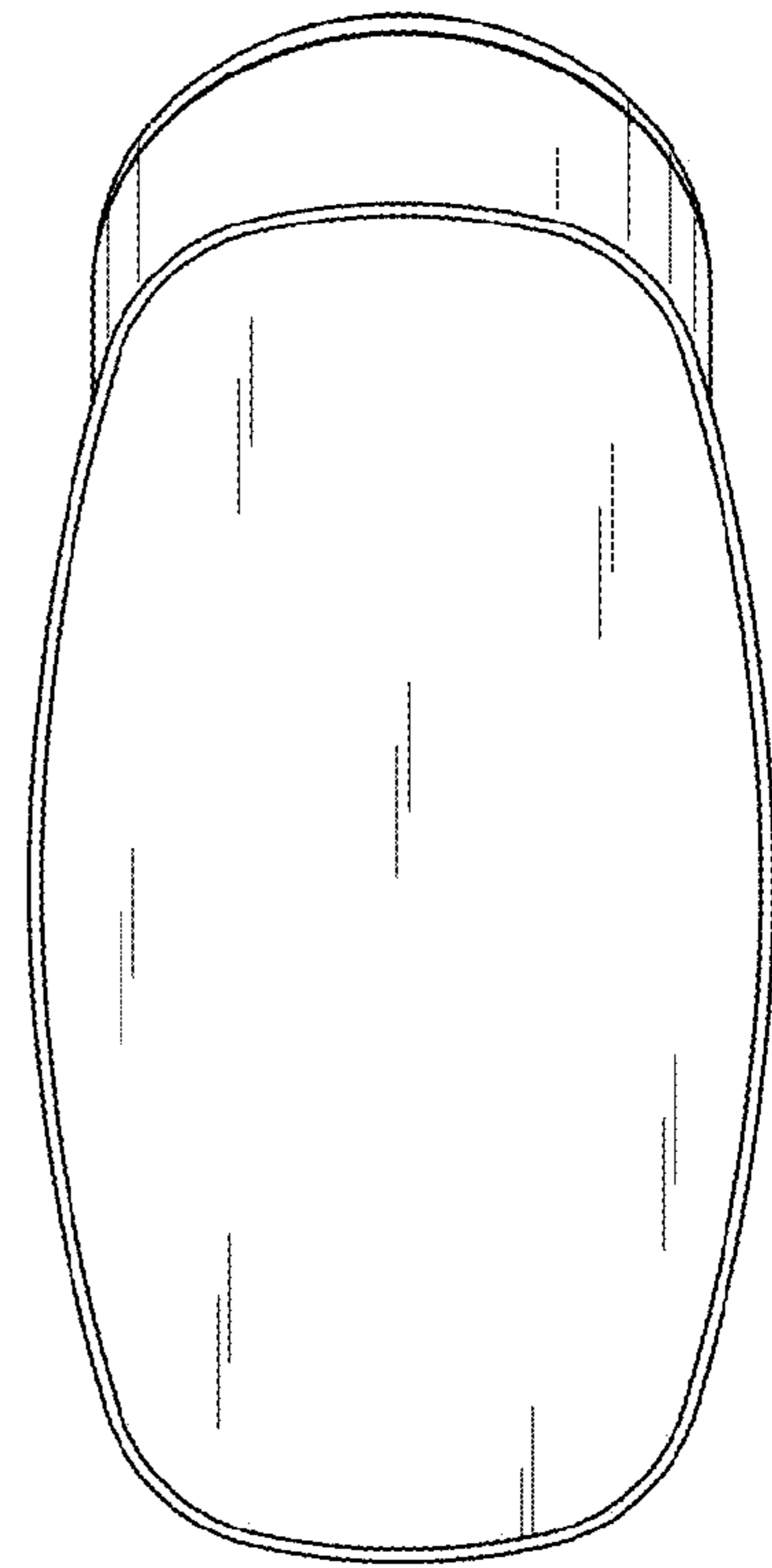


FIG. 5

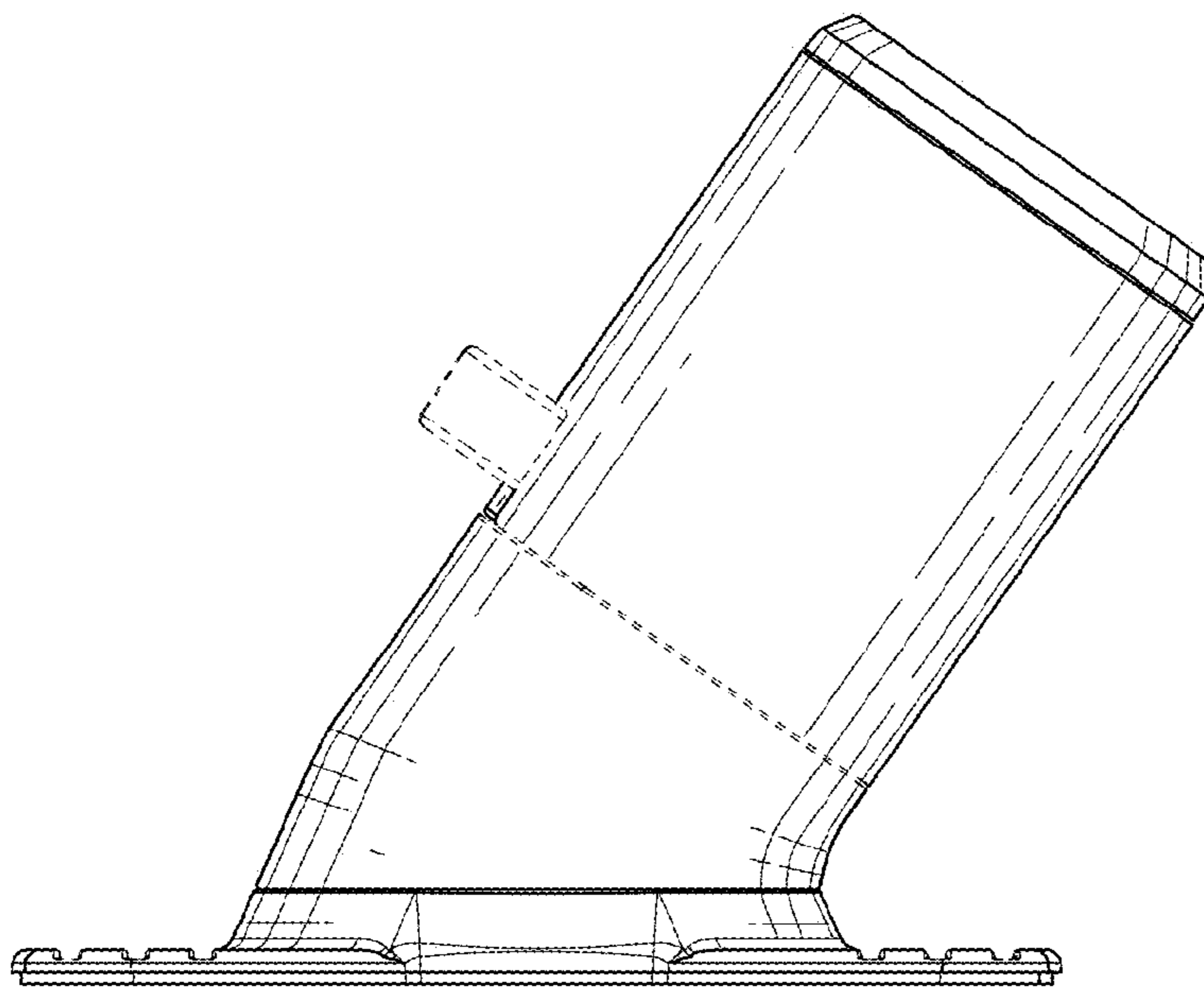


FIG. 6

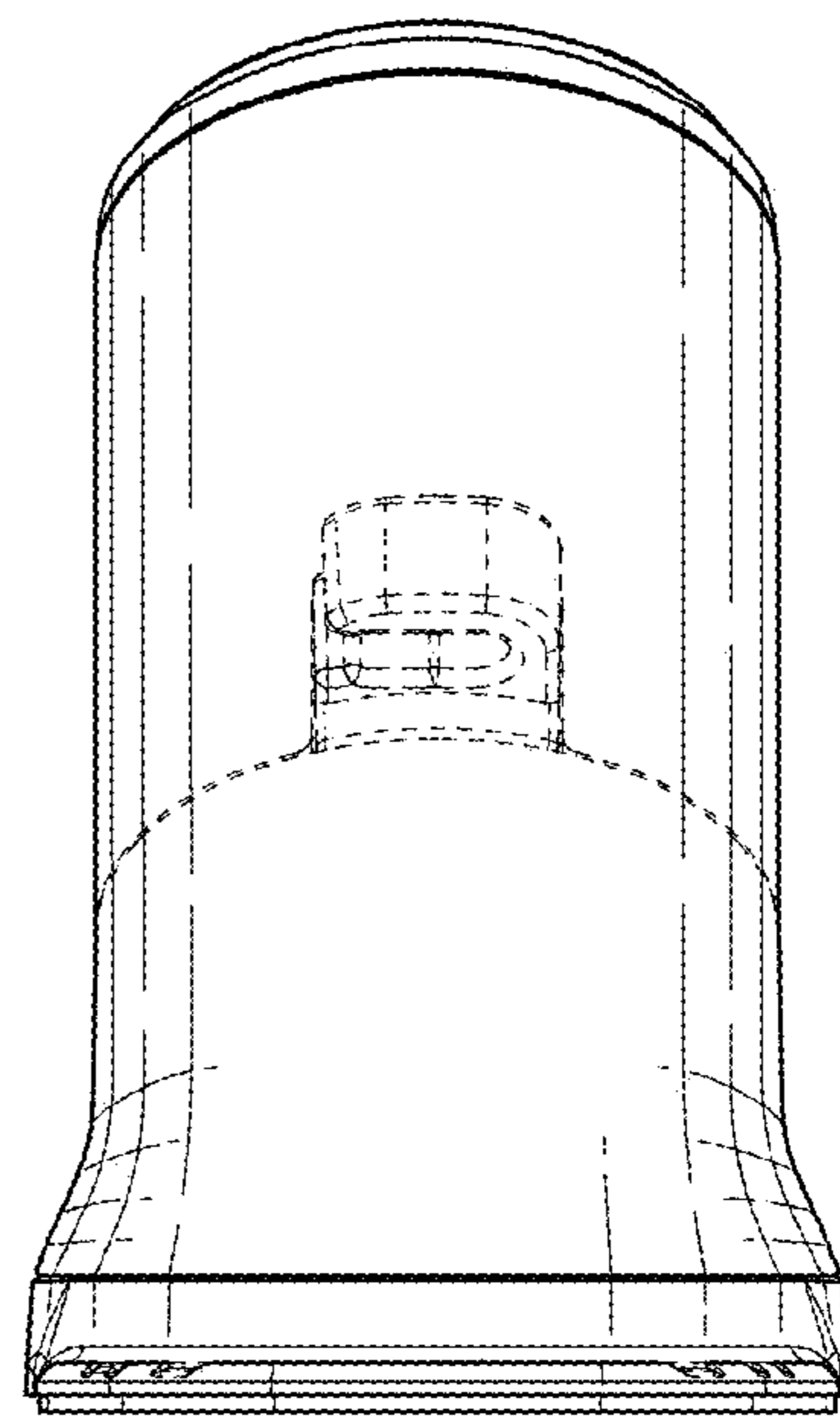


FIG. 7