



US00D896733S

(12) **United States Design Patent** (10) **Patent No.:** **US D896,733 S**
Postlethwait (45) **Date of Patent:** **** Sep. 22, 2020**

(54) **WHISKEY BARREL SHAPED PICKUP TRUCK CAP**

Primary Examiner — Katrina A Betton

(74) *Attorney, Agent, or Firm* — Kevin E Flynn; Flynn IP Law

(71) Applicant: **David Lee Postlethwait**, Selma, NC (US)

(72) Inventor: **David Lee Postlethwait**, Selma, NC (US)

(57) **CLAIM**

The ornamental design for a whiskey barrel shaped pickup truck cap, as shown and described.

(**) Term: **15 Years**

(21) Appl. No.: **29/732,881**

(22) Filed: **Apr. 28, 2020**

DESCRIPTION

(51) **LOC (12) Cl.** **12-16**

(52) **U.S. Cl.**
USPC **D12/401**

(58) **Field of Classification Search**
USPC D12/401–405; D6/610, 611, 601–603, D6/615, 617, 621; D7/332, 334–337
CPC B65D 85/68; B65D 31/16; B65D 33/02; B60R 5/04; B60R 5/045; B60P 7/04
See application file for complete search history.

FIG. 1 is a top side, right side, rear side perspective view of a first embodiment of the present invention, the enlarged detail for FIG. 1 showing that the hex shaped heads visible on the barrel bands are not part of the first embodiment. Note the size of the hex shaped heads in the views outside of the enlarged detail section do not allow for discernable dashed lines but should be considered to be drawn in dashed lines; FIG. 2 is a top plan view of the claimed design of FIG. 1, the bottom plan view is omitted from this embodiment as the bottom view is not claimed within this embodiment; FIG. 3 is a rear side elevation of the claimed design of FIG. 1, wherein the size and shape of any rear opening into the interior of the whisky barrel shaped pickup truck cap is not part of the claimed invention; FIG. 4 is a front side elevation of the claimed design of FIG. 1; FIG. 5 is a right side elevation of the claimed design of FIG. 1; and, FIG. 6 is a left side elevation of the claimed design of FIG. 1. The broken lines in the drawings illustrate environmental subject matter that forms no part of the claimed design.

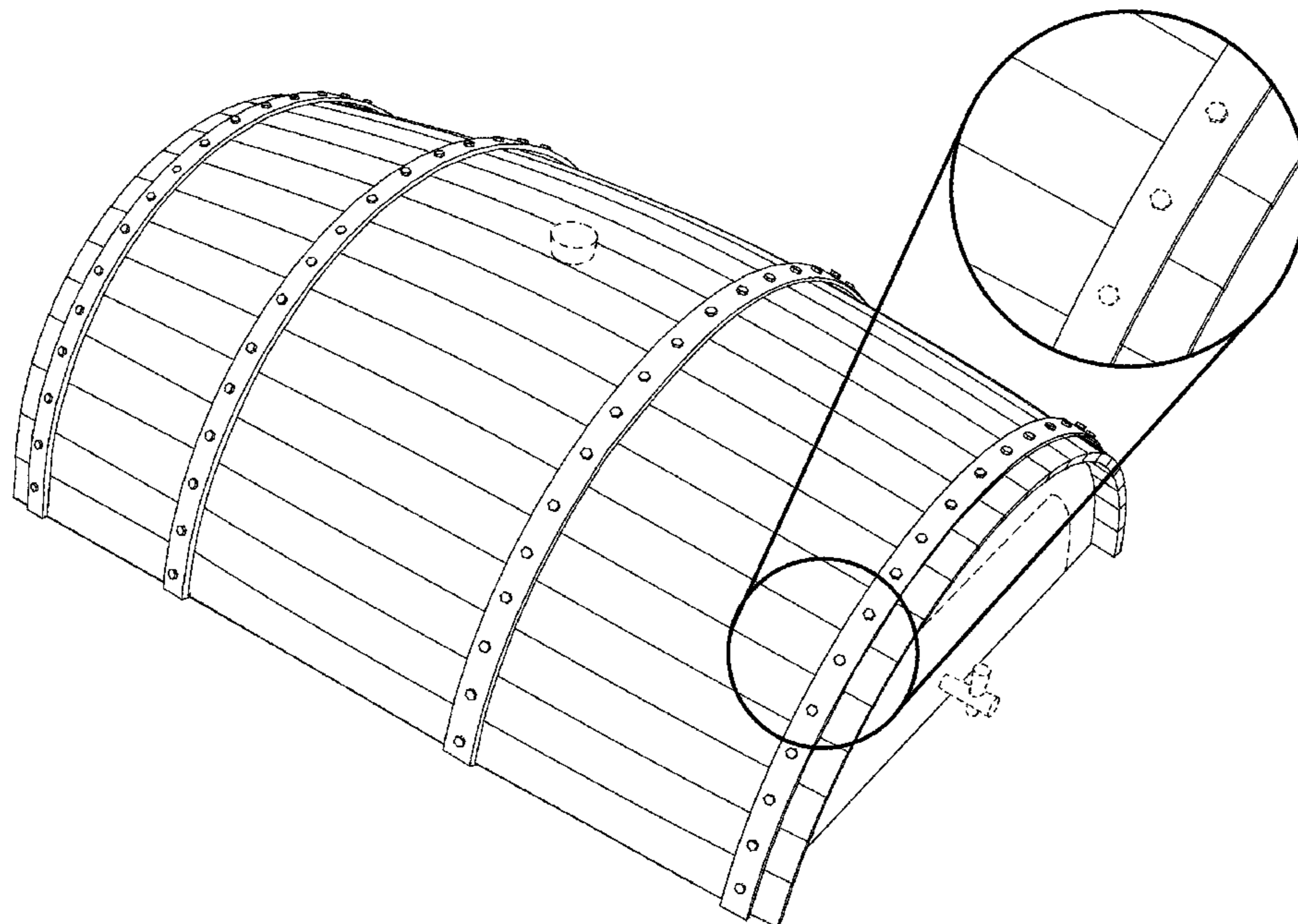
(56) **References Cited**

U.S. PATENT DOCUMENTS

D190,565 S *	6/1961	Weed	D12/92
D450,031 S *	11/2001	Hall	D12/401
D694,169 S *	11/2013	Fontanilla	D12/401
D730,806 S *	6/2015	Lim	D12/401
D765,013 S *	8/2016	Hindelang	D12/401
D829,634 S *	10/2018	Chapman	D12/401
D830,283 S *	10/2018	Schmeichel	D12/401
D847,078 S *	4/2019	Rolfs	D12/401
D857,609 S *	8/2019	Rohr	D12/401
D859,282 S *	9/2019	Dowdey	D12/401
D864,085 S *	10/2019	Wohlwender	D12/401

* cited by examiner

1 Claim, 5 Drawing Sheets



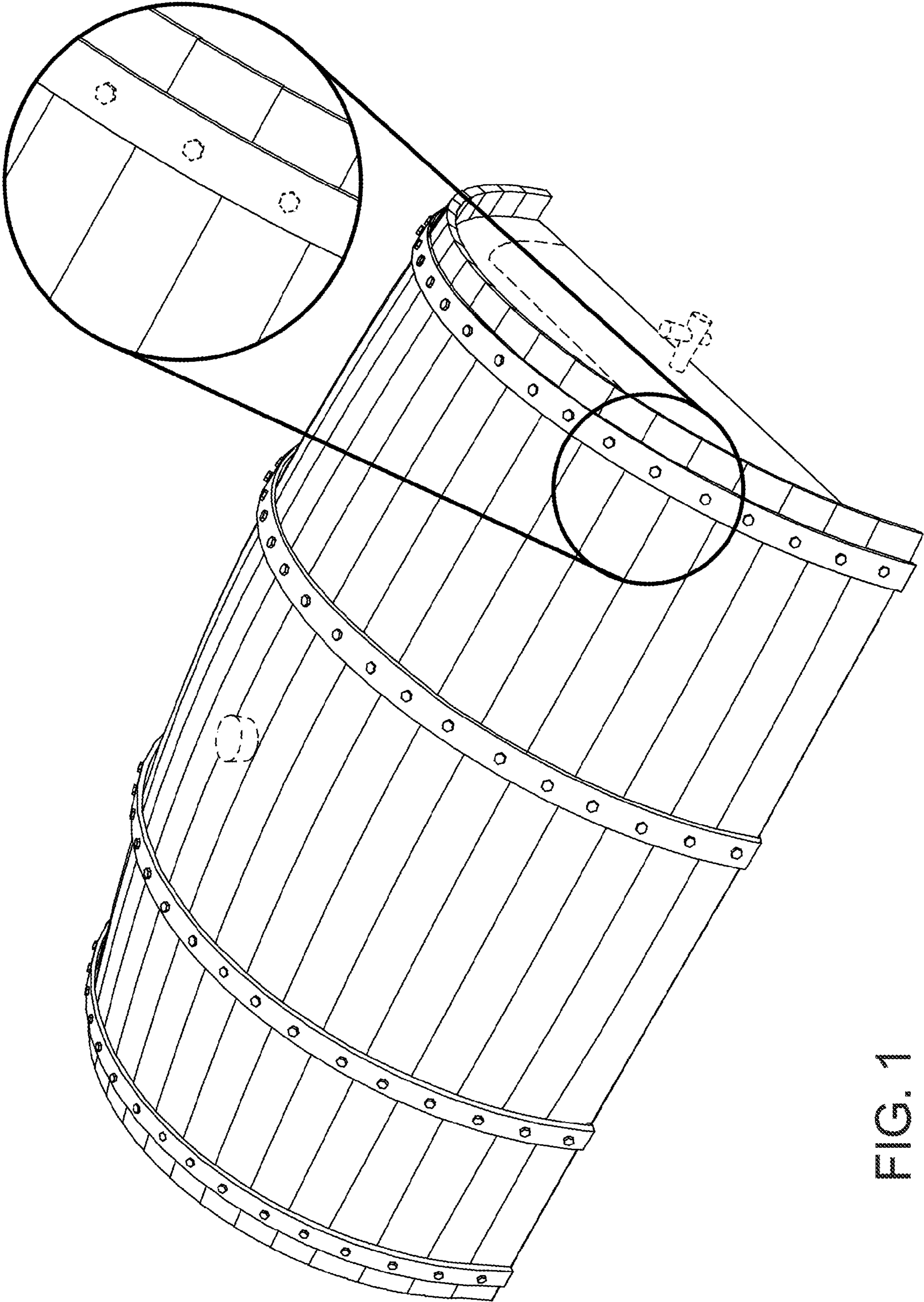


FIG. 1

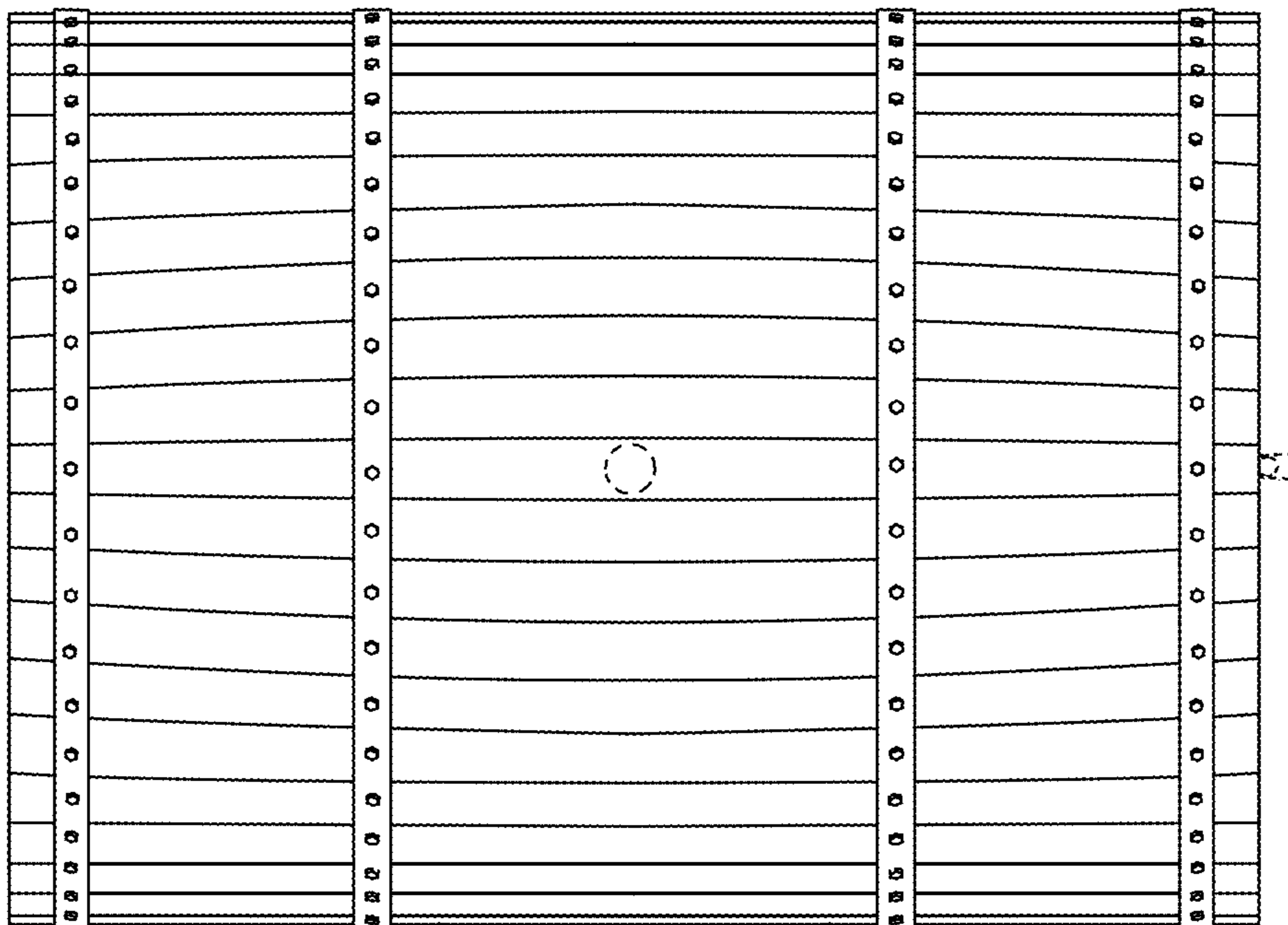


FIG. 2

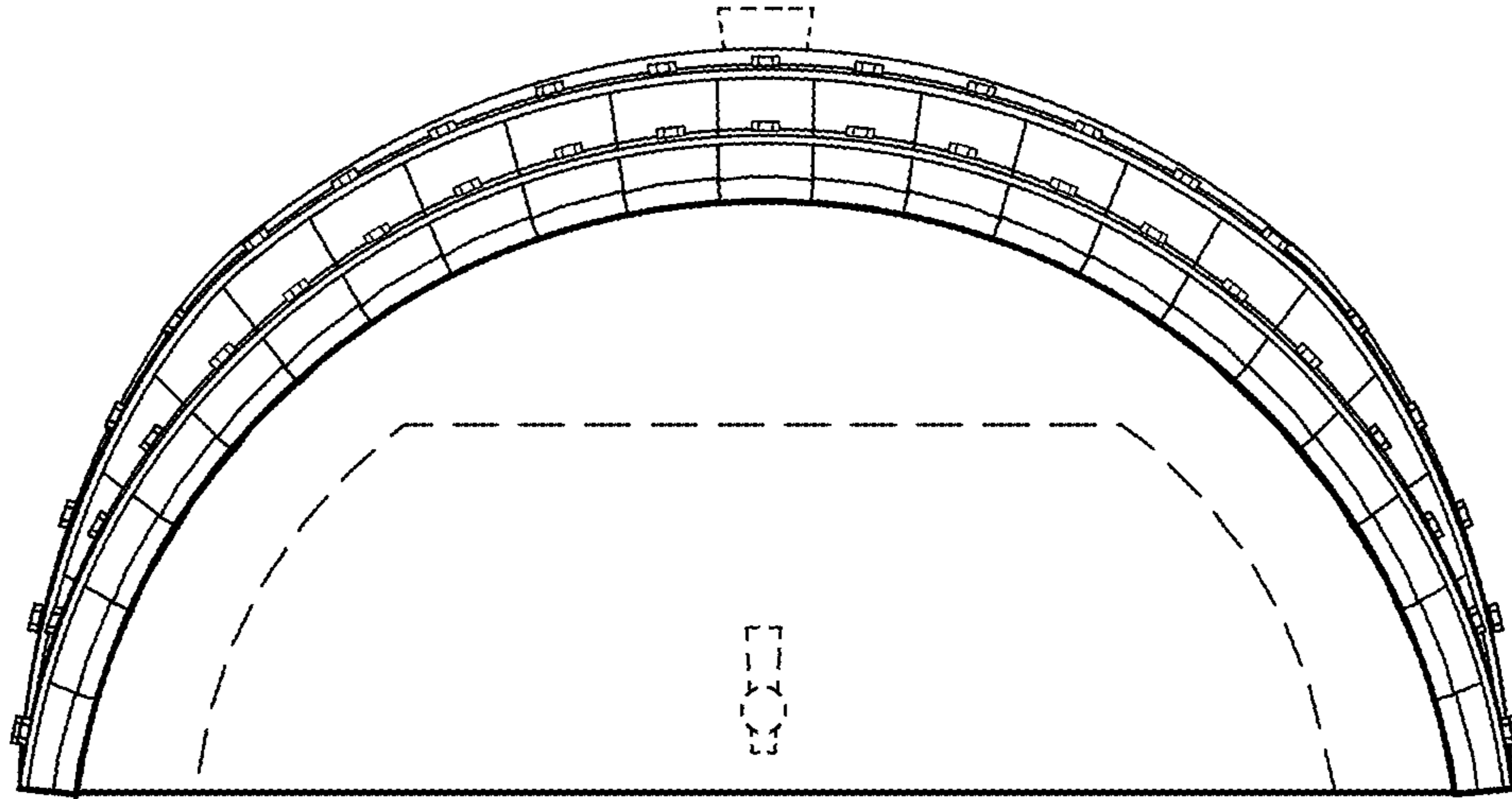


FIG. 3

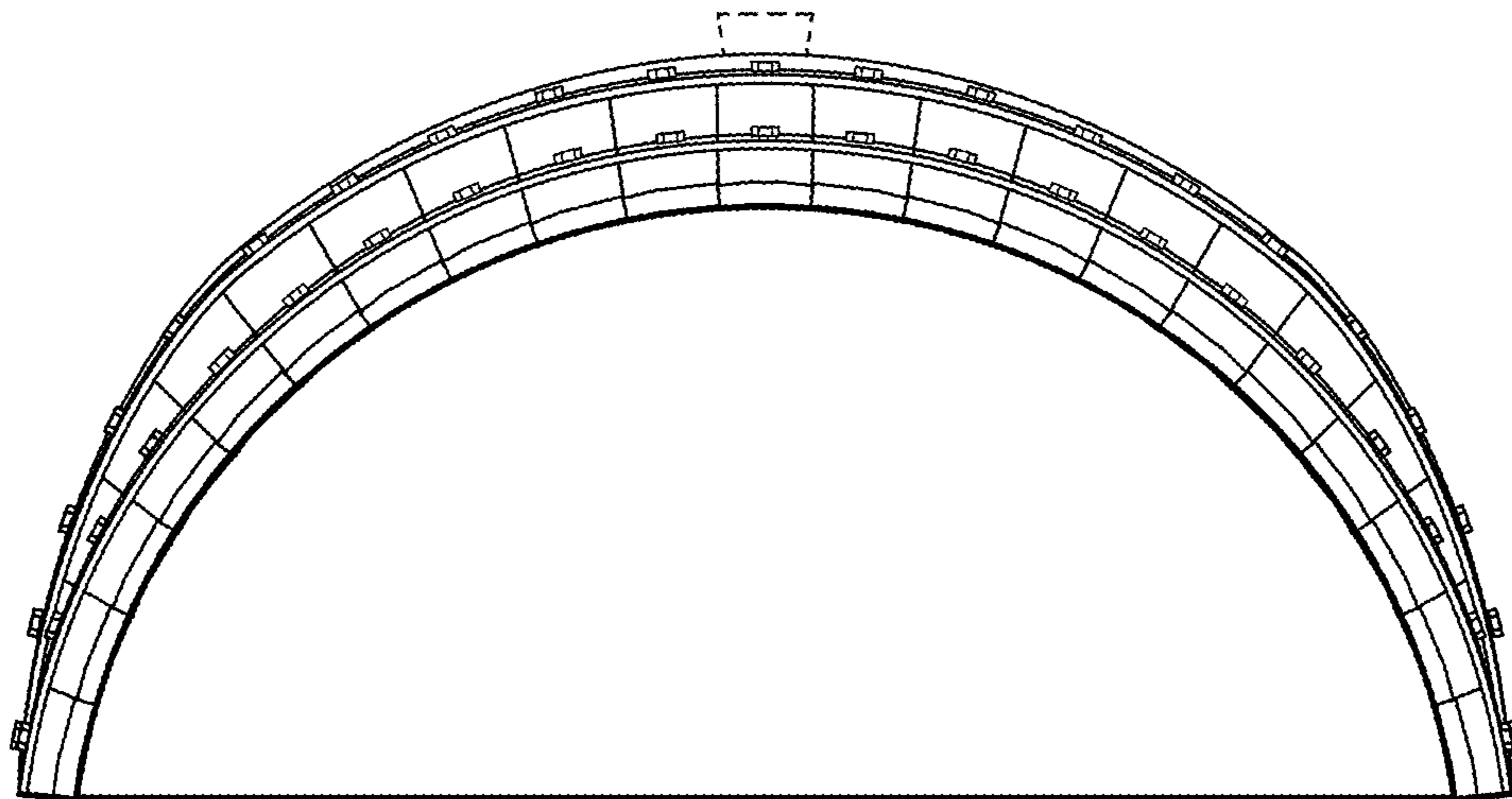


FIG. 4

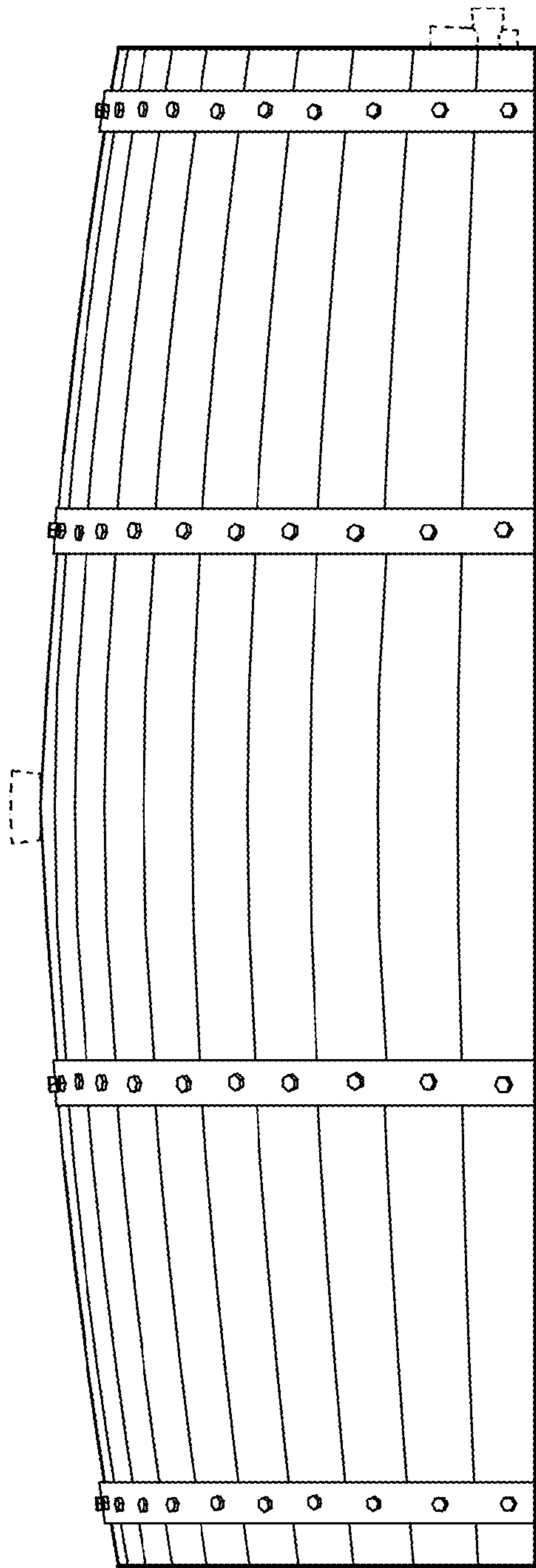


FIG. 5

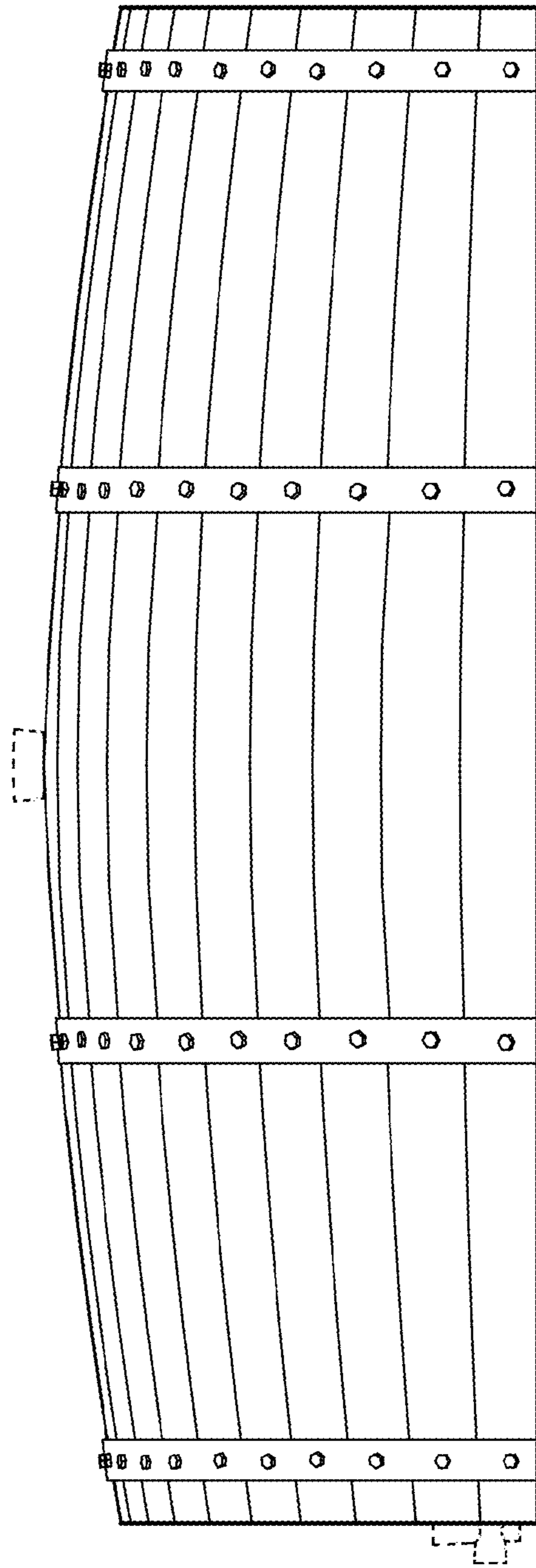


FIG. 6

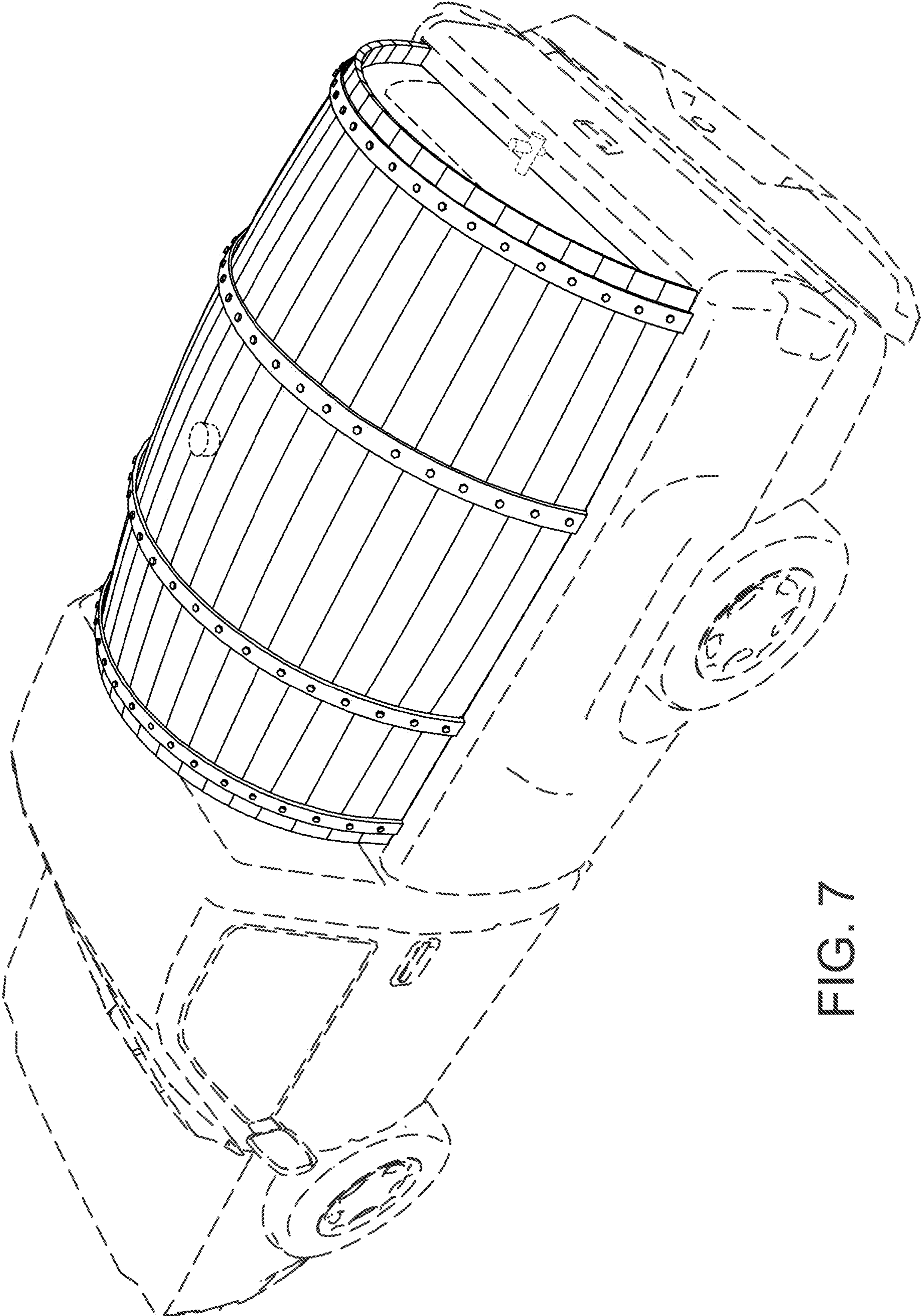


FIG. 7