



US00D896731S

(12) **United States Design Patent**
Liang et al.

(10) **Patent No.:** **US D896,731 S**
(45) **Date of Patent:** **** Sep. 22, 2020**

(54) **AERIAL VEHICLE**

D751,490 S 3/2016 Chen
D751,491 S 3/2016 Chen
D759,764 S 6/2016 Lai
D760,848 S 7/2016 McKenna et al.
(Continued)

(71) Applicant: **SZ DJI Technology Co., Ltd.**,
Shenzhen (CN)

(72) Inventors: **Bo Liang**, Shenzhen (CN); **Li Qiu**,
Shenzhen (CN)

FOREIGN PATENT DOCUMENTS

(73) Assignee: **SZ DJI Technology Co., Ltd.**,
Shenzhen (CN)

CN 302901394 S 8/2014
CN 302959820 S 10/2014
(Continued)

(**) Term: **15 Years**

OTHER PUBLICATIONS

(21) Appl. No.: **29/701,938**

Buy DJI Matrice 210 Quadcopter by Drone Nerds . dated 2018.
found online [Nov. 30, 2018] <https://www.dronenerds.com/products/drones/enterprise-drones/matrice-200/matrice-210/dji-matrice-210-quadcopter-cp-hy-000049-dji.html>.

(22) Filed: **Aug. 15, 2019**

(Continued)

Related U.S. Application Data

(63) Continuation of application No. 29/642,455, filed on
Mar. 29, 2018, now Pat. No. Des. 862,360, which is
a continuation of application No. 29/595,105, filed on
Feb. 24, 2017, now Pat. No. Des. 816,582.

Primary Examiner — Marissa J Cash
(74) *Attorney, Agent, or Firm* — Sterne, Kessler,
Goldstein & Fox P.L.L.C.

(51) **LOC (12) Cl.** **12-02**

(52) **U.S. Cl.**
USPC **D12/328**

(57) **CLAIM**

(58) **Field of Classification Search**
USPC D12/1-4, 16.1, 319-345; D21/436-455;
D25/13, 199
CPC B64C 29/0033; B64C 29/02; B64C
2201/021; B64C 2201/088; B64C
2201/104; B64C 2201/141; B64G
2001/1064; B64G 2001/1071; B64G 5/00;
B64G 1/46

The ornamental design for an aerial vehicle, as shown and
described.

DESCRIPTION

See application file for complete search history.

FIG. 1 is a top front perspective view of an aerial vehicle
showing the claimed design;
FIG. 2 is a bottom rear perspective view thereof;
FIG. 3 is a front view thereof;
FIG. 4 is a rear view thereof;
FIG. 5 is a left side view thereof;
FIG. 6 is a right side view thereof;
FIG. 7 is a top view thereof; and,
FIG. 8 is a bottom view thereof.

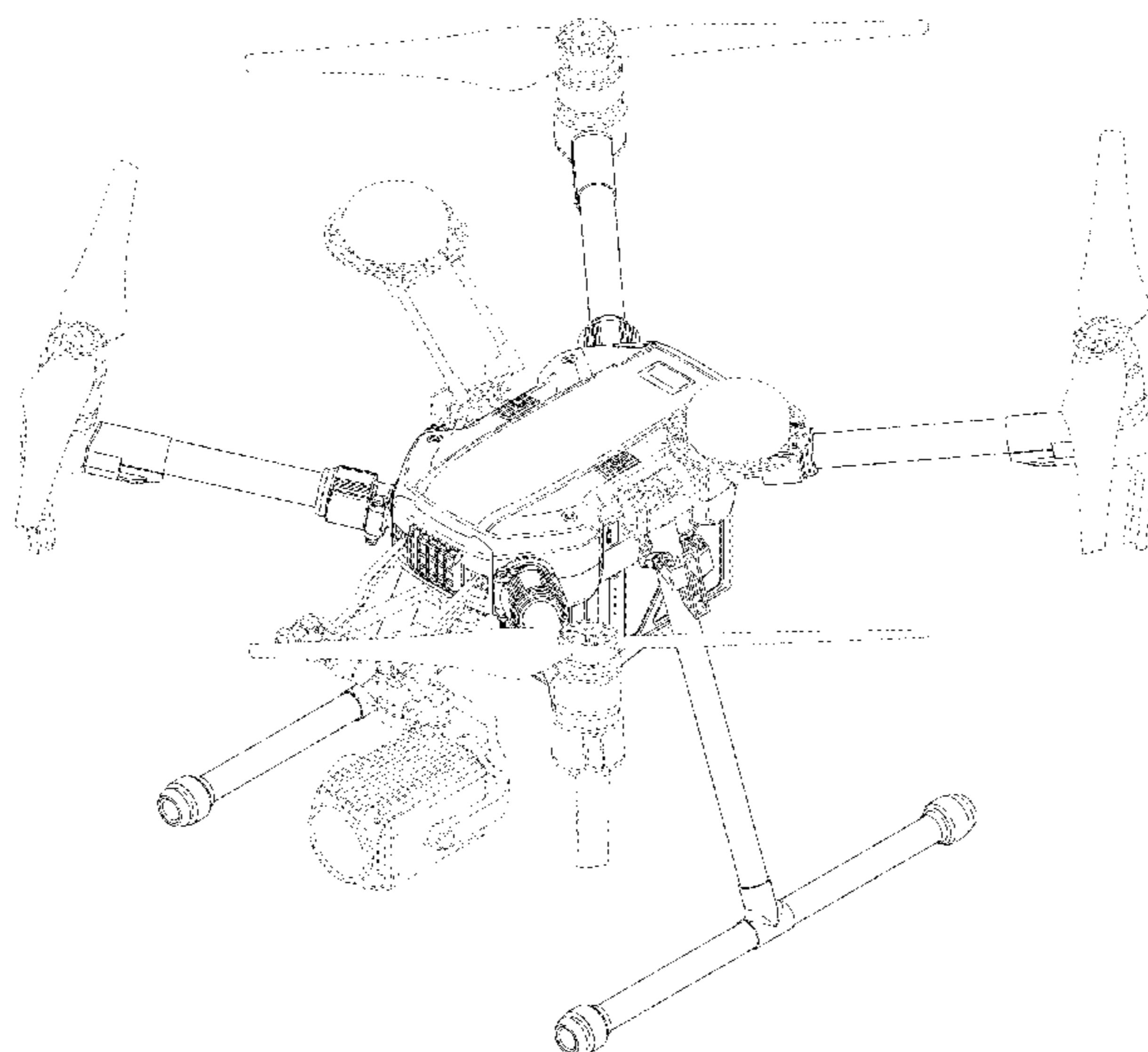
(56) **References Cited**

U.S. PATENT DOCUMENTS

D197,038 S 12/1963 Howard
D465,196 S 11/2002 Dammar
D628,658 S 12/2010 Wurm
D741,779 S * 10/2015 Hsiao D12/16.1

The broken lines in the figures show portions of the aerial
vehicle that form no part of the claimed design.

1 Claim, 8 Drawing Sheets



(56)

References Cited

U.S. PATENT DOCUMENTS

D763,134 S 8/2016 Wang
 D767,043 S 9/2016 Morrison
 D768,539 S 10/2016 Lee
 D768,789 S 10/2016 Fargeau et al.
 D772,991 S 11/2016 Caubel et al.
 D777,263 S 1/2017 Lavagen et al.
 D780,062 S 2/2017 Wu et al.
 D782,365 S 3/2017 Hung
 D782,366 S 3/2017 Xiao
 D784,202 S 4/2017 Park
 D784,854 S 4/2017 Huang et al.
 D795,741 S 8/2017 Li
 D795,742 S 8/2017 Li
 D795,743 S 8/2017 Li
 D795,784 S 8/2017 Guo et al.
 D795,967 S 8/2017 Haley
 D797,602 S 9/2017 Li
 D798,961 S 10/2017 Li
 D800,016 S 10/2017 Huang
 D800,602 S * 10/2017 Hsiao D12/16.1
 D801,224 S 10/2017 Li
 D803,097 S * 11/2017 Wang D12/16.1
 D803,098 S 11/2017 Lee
 D803,328 S 11/2017 Lee
 D805,425 S 12/2017 Hanscom
 D805,431 S 12/2017 Li
 D806,606 S 1/2018 Morrison
 D808,860 S * 1/2018 Tian D12/16.1
 D809,992 S 2/2018 Hu et al.
 D813,723 S 3/2018 Ahn et al.
 D813,724 S 3/2018 Hu
 D814,970 S 4/2018 Chen et al.
 D814,971 S 4/2018 Huang et al.
 D814,972 S 4/2018 Ahn et al.
 D814,973 S 4/2018 Li
 D816,546 S 5/2018 Wang
 D816,582 S * 5/2018 Liang D12/328
 D817,850 S 5/2018 Xiao
 D818,872 S 5/2018 Ho
 D818,874 S 5/2018 Tian et al.
 D819,749 S 6/2018 Caubel et al.
 D820,158 S 6/2018 Jeong et al.
 D820,768 S * 6/2018 Wang D12/328
 D821,263 S 6/2018 Goldy
 D825,379 S 8/2018 Gury et al.
 D827,723 S 9/2018 Barajas et al.
 D828,222 S 9/2018 Yu
 D830,476 S 10/2018 Barse
 10,386,188 B2 * 8/2019 Tian G01S 17/933
 D862,360 S * 10/2019 Liang D12/328
 D870,638 S * 12/2019 Kuanliang D12/328
 2012/0083945 A1 4/2012 Oakley et al.
 2014/0117149 A1 5/2014 Zhou et al.
 2015/0266577 A1 * 9/2015 Jones G06Q 30/0261
 701/3

2015/0321755 A1 11/2015 Martin et al.
 2016/0068266 A1 3/2016 Carroll
 2016/0236777 A1 8/2016 Tang
 2016/0375997 A1 12/2016 Welsh et al.
 2016/0376004 A1 12/2016 Claridge et al.
 2017/0101174 A1 4/2017 Ou
 2017/0113789 A1 4/2017 Ou
 2017/0129601 A1 5/2017 Babel et al.
 2017/0133771 A1 5/2017 Xiao et al.
 2017/0174316 A1 6/2017 Huddleston, Jr. et al.
 2017/0210470 A1 7/2017 Pardell
 2017/0225784 A1 * 8/2017 Hayes B64C 39/026
 2017/0237948 A1 * 8/2017 Quast B64C 39/024
 348/144
 2017/0247113 A1 8/2017 Sanlaville
 2017/0253332 A1 9/2017 Champagne, Jr. et al.
 2017/0269609 A1 9/2017 Bradlow et al.
 2017/0274983 A1 9/2017 Beckman et al.
 2017/0285092 A1 10/2017 Moore
 2017/0295069 A1 10/2017 Sweet, III et al.
 2017/0297445 A1 10/2017 Zheng et al.
 2017/0297707 A1 10/2017 Rollefstad et al.
 2017/0301109 A1 10/2017 Chan et al.
 2017/0340176 A1 11/2017 Liao
 2018/0032087 A1 2/2018 Line
 2018/0208301 A1 7/2018 Ye
 2018/0281941 A1 10/2018 Hutson

FOREIGN PATENT DOCUMENTS

CN 303158651 S 4/2015
 CN 303189588 S 4/2015
 CN 303189592 S 4/2015
 CN 303265002 S 7/2015
 CN 303357297 S 9/2015
 CN 303357298 S 9/2015
 CN 303491333 S 12/2015
 CN 303530922 S 12/2015
 CN 303562868 S 1/2016
 CN 303584645 S 2/2016
 CN 303634090 S 4/2016
 CN 303745744 S 7/2016
 CN 303853855 S 9/2016
 CN 303986875 S 12/2016
 CN 304013295 S 1/2017
 CN 304028567 S 2/2017
 KR 30-2014-0001302 12/2014
 KR 30-0847373 3/2016
 WO WO DM085114 6/2015

OTHER PUBLICATIONS

“DJI Introduces M200 Series Drones Built For Enterprise Solutions” by DJI dated Feb. 26, 2017. found online [Dec. 15, 2017] <<https://www.dji.com/newsroom/news/djiintroduces-m200-series-drones-built-for-enterprise-solutions>>.

* cited by examiner

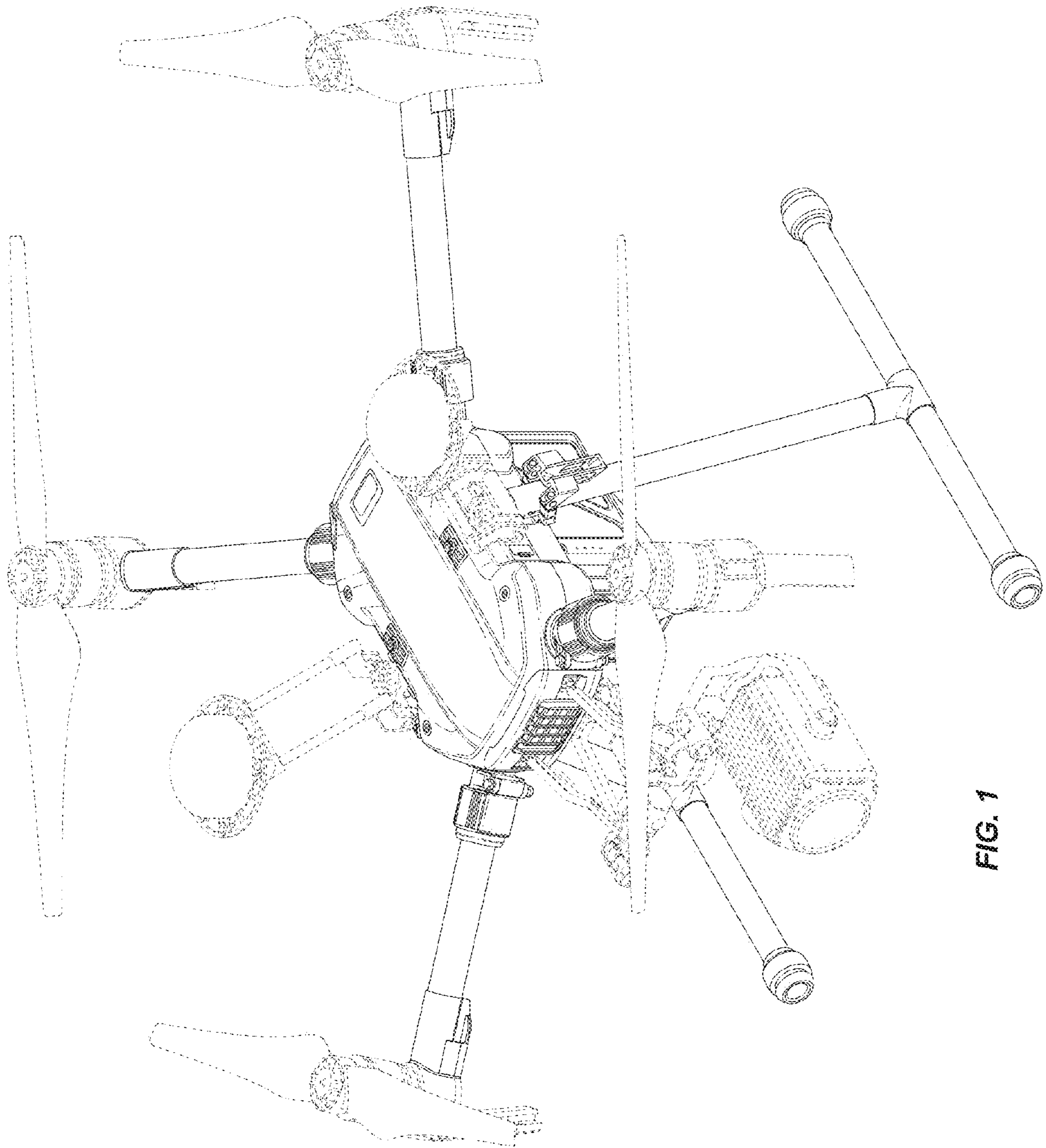


FIG. 1

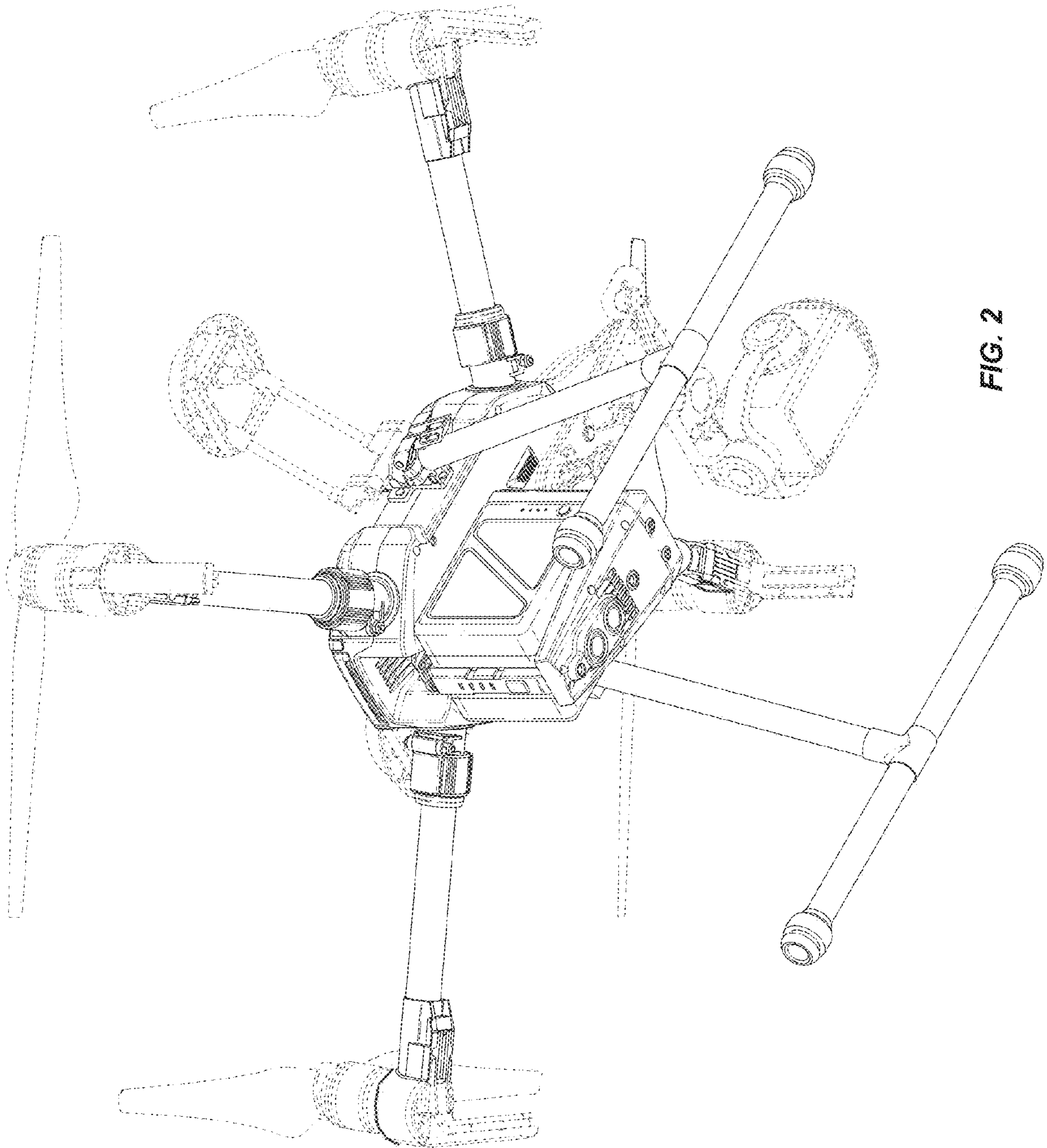


FIG. 2

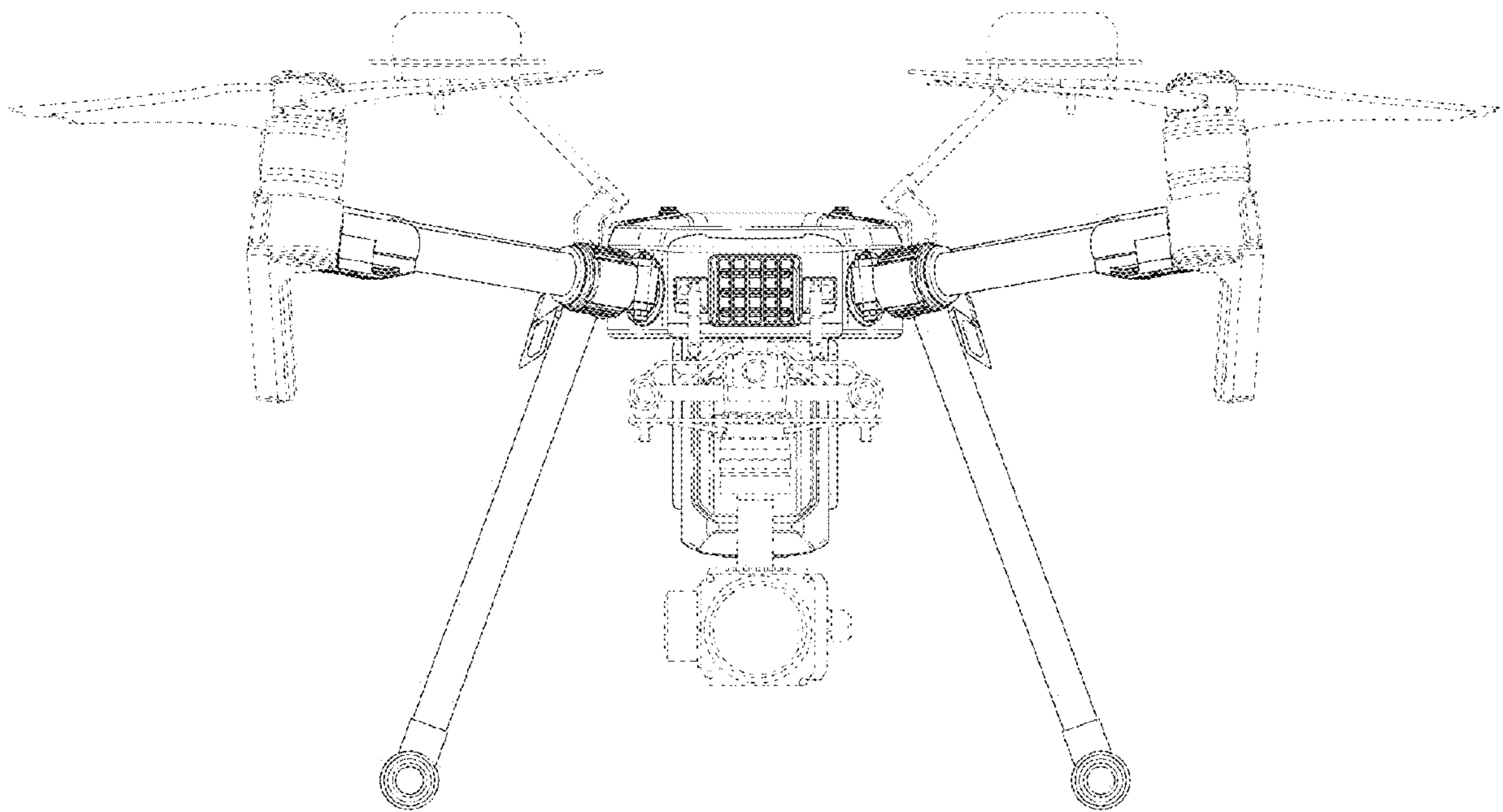


FIG. 3

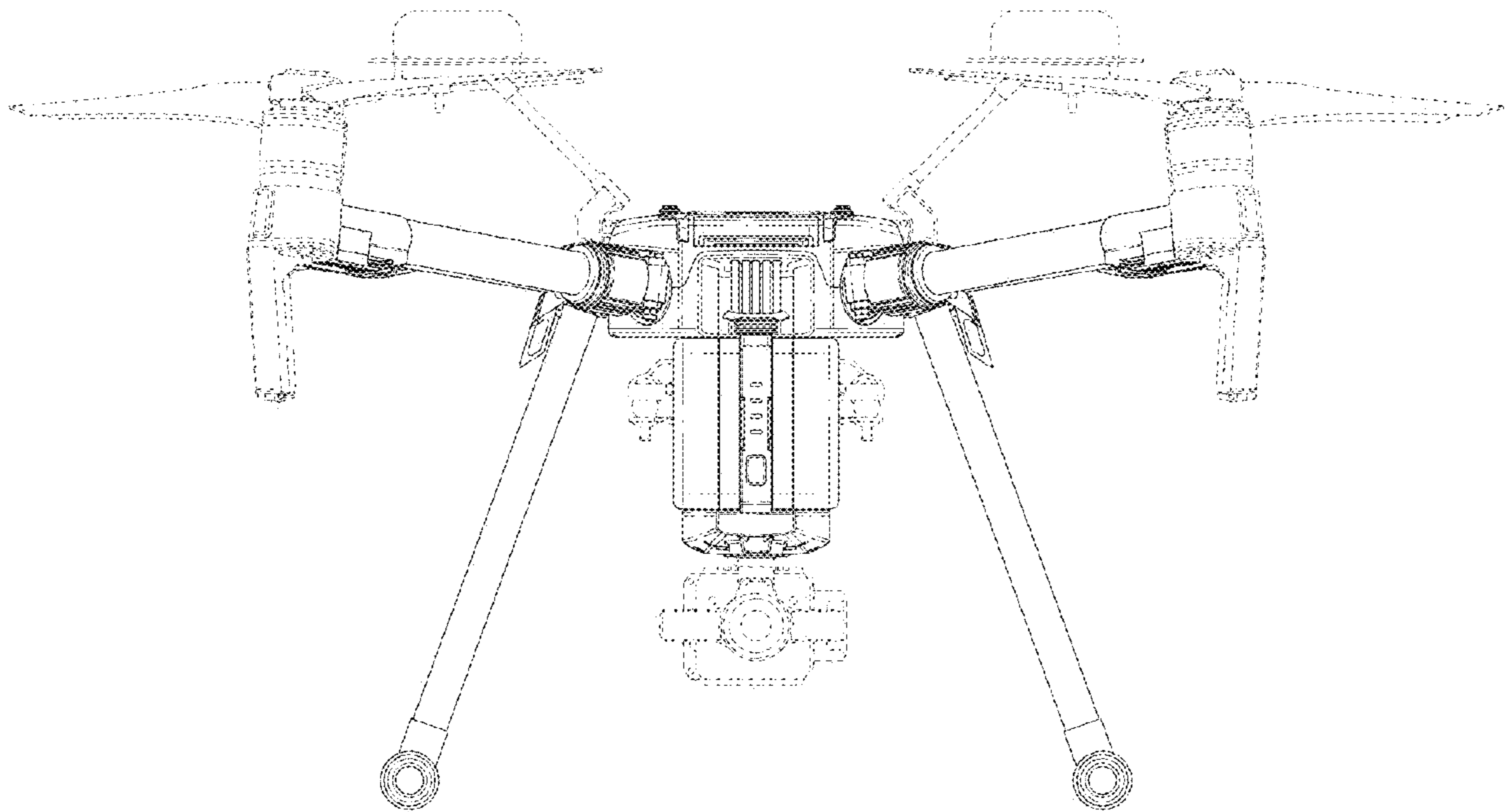


FIG. 4

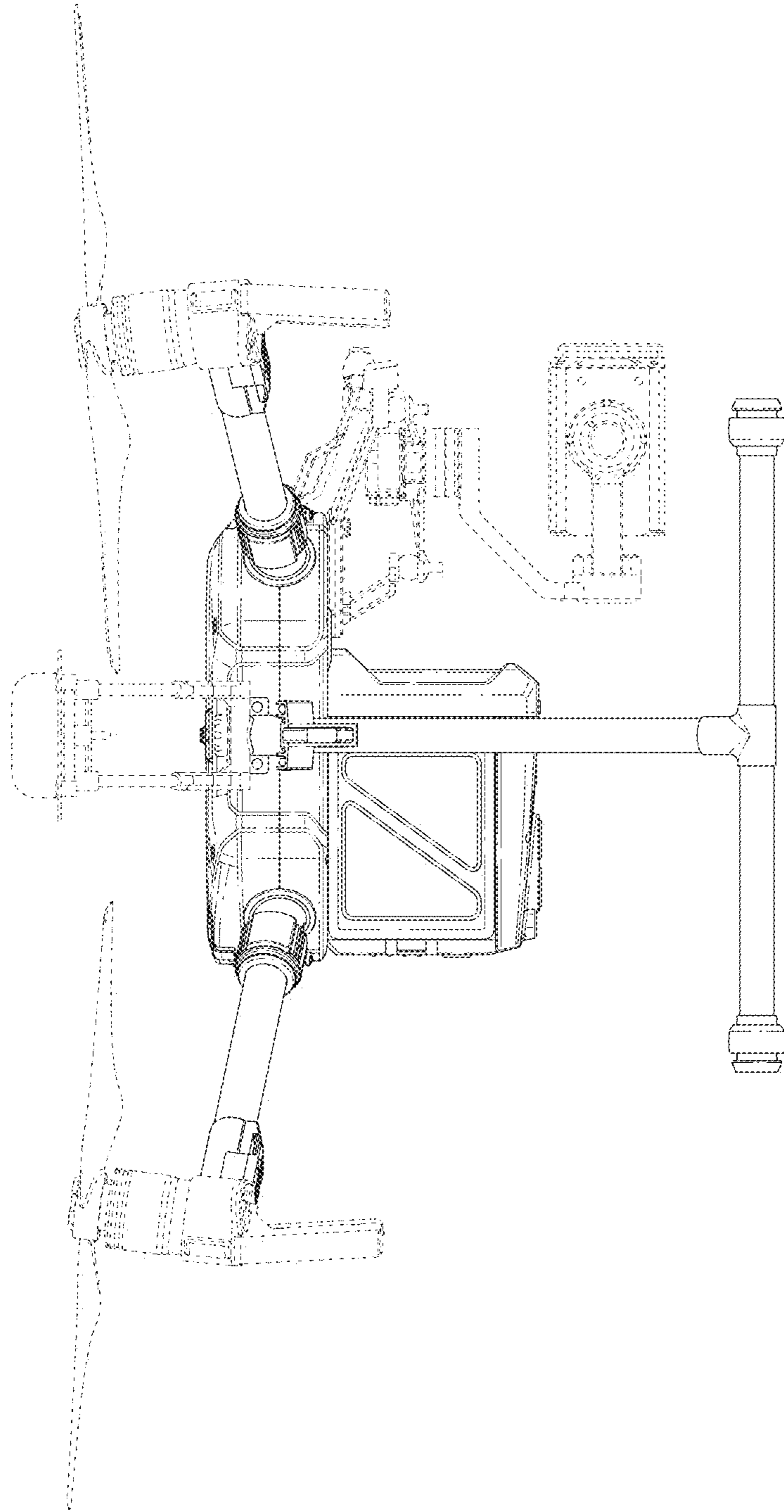


FIG. 5

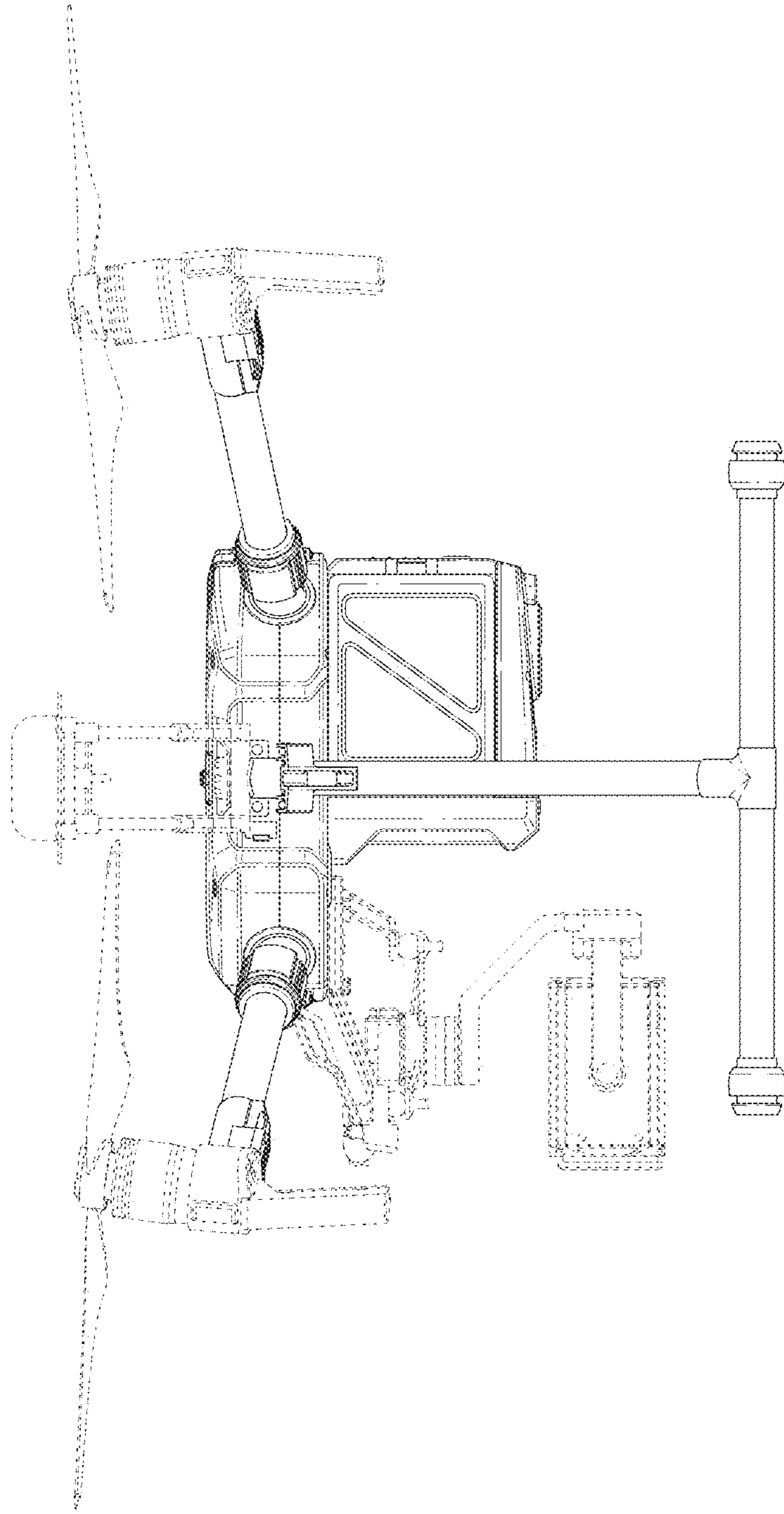


FIG. 6

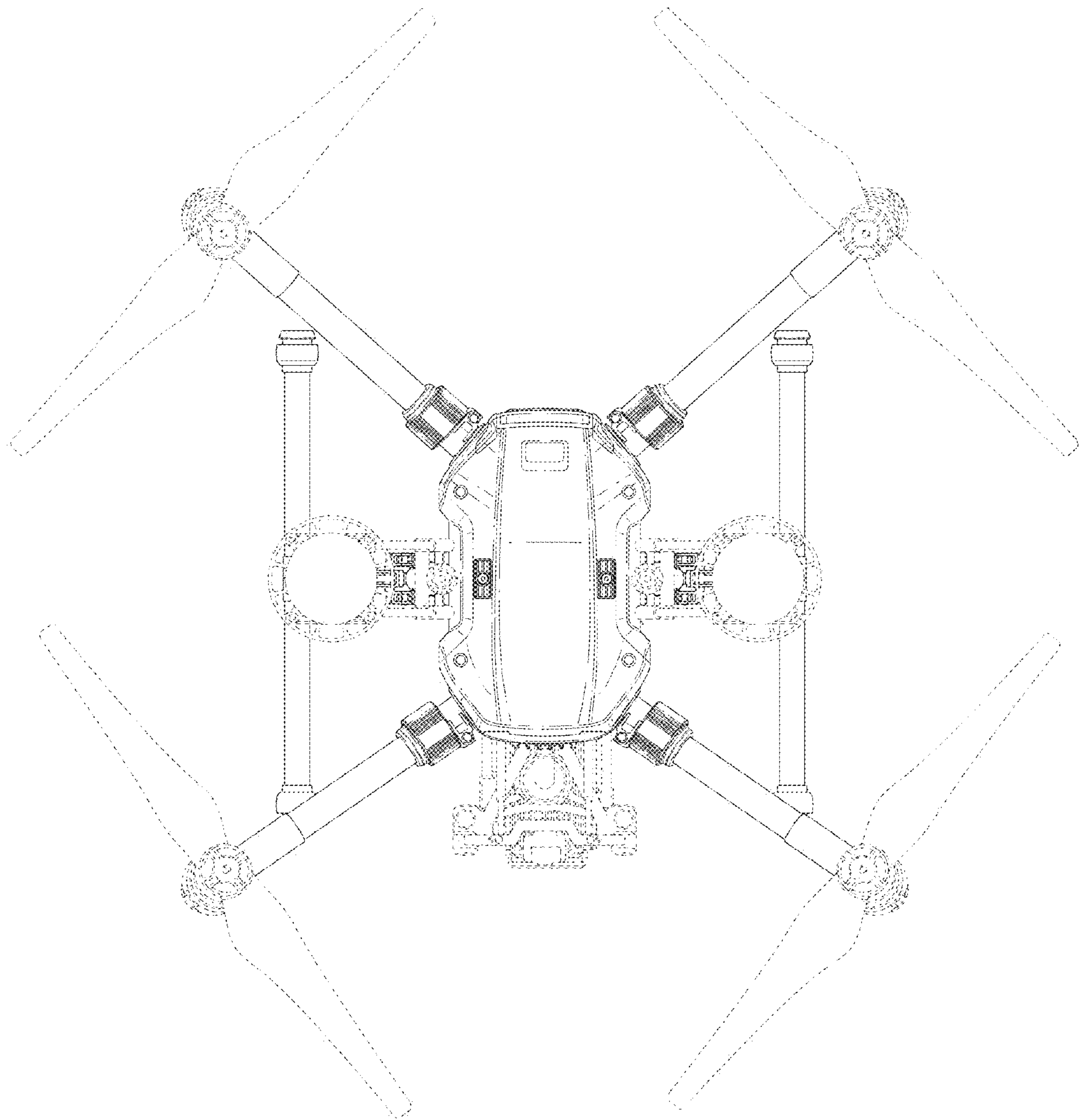


FIG. 7

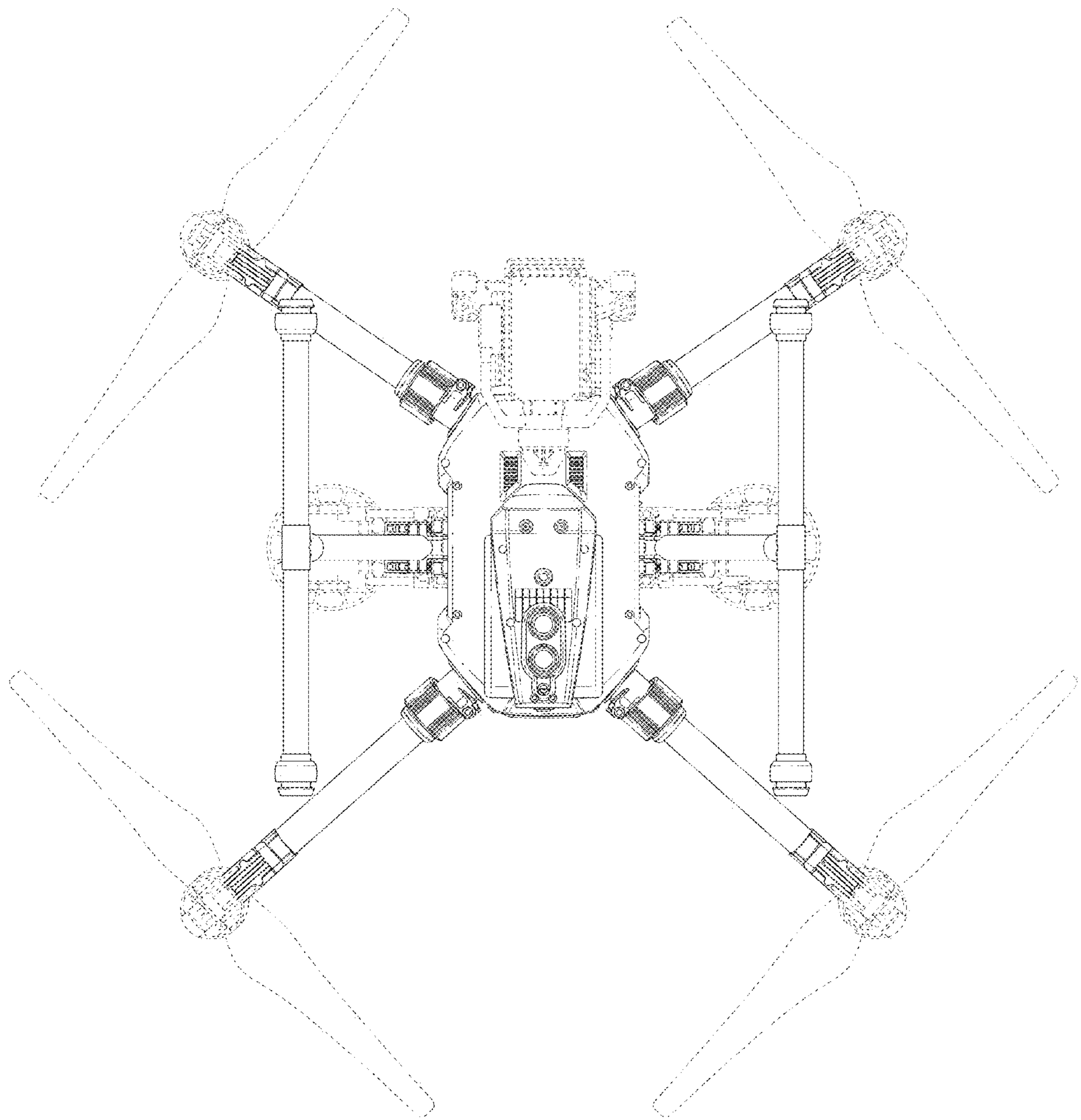


FIG. 8

UNITED STATES PATENT AND TRADEMARK OFFICE
CERTIFICATE OF CORRECTION

PATENT NO. : D896,731 S
APPLICATION NO. : 29/701938
DATED : September 22, 2020
INVENTOR(S) : Liang et al.

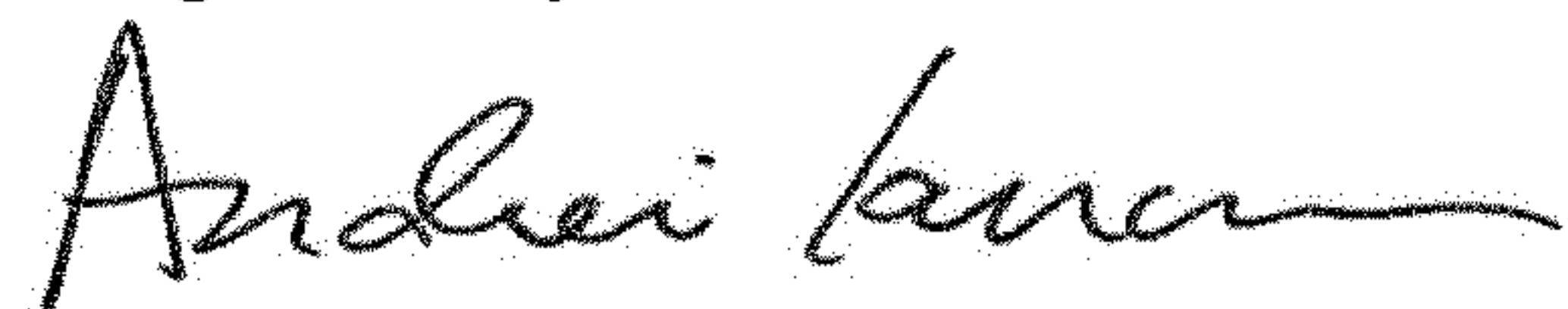
Page 1 of 2

It is certified that error appears in the above-identified patent and that said Letters Patent is hereby corrected as shown below:

In the Drawings

Please replace Fig. 2 with Fig. 2 as shown on the attached page.

Signed and Sealed this
Eighth Day of December, 2020



Andrei Iancu
Director of the United States Patent and Trademark Office

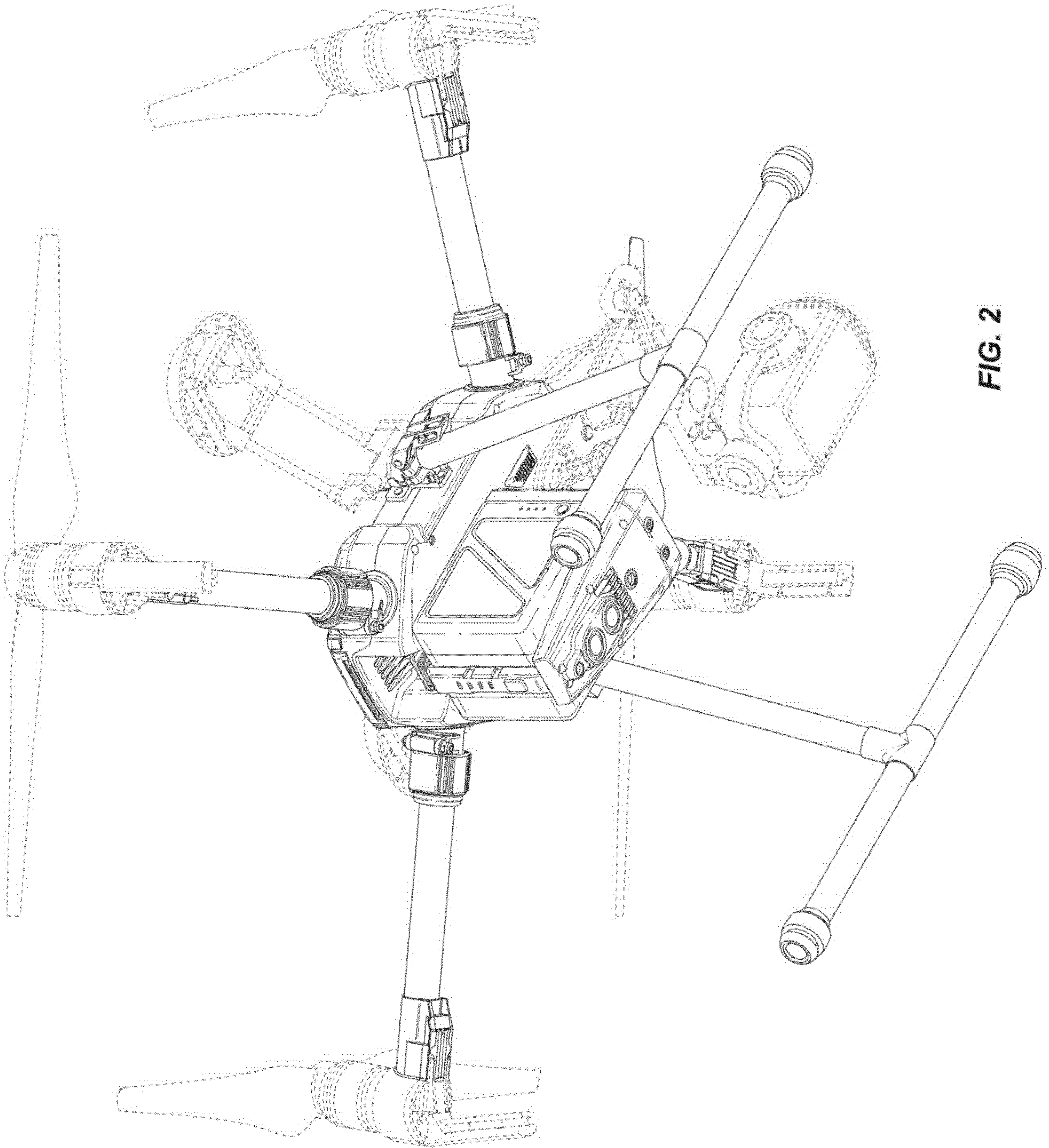


FIG. 2