



US00D896730S

(12) **United States Design Patent**
Kooiman et al.

(10) **Patent No.:** **US D896,730 S**

(45) **Date of Patent:** **** Sep. 22, 2020**

(54) **COMBINED AIRCRAFT FUSELAGE AND EMPENNAGE**

(71) Applicant: **Bell Textron Inc.**, Forth Worth, TX (US)

(72) Inventors: **James Everett Kooiman**, Fort Worth, TX (US); **Michael Edwin Rinehart**, Euless, TX (US); **Lynn Francis Eschete**, Arlington, TX (US); **Jason Paul Winter**, Fort Worth, TX (US); **Derek Ray Eddins**, Lantana, TX (US); **Steven Allen Robedeau, Jr.**, Keller, TX (US); **Clegg Benjamin Brian Smith**, Keller, TX (US); **Andrew Thomas Carter**, Richland Hills, TX (US); **Aaron Alexander Acee**, Flower Mound, TX (US); **Andrew Paul Haldeman**, Fort Worth, TX (US)

(73) Assignee: **Bell Textron Inc.**, Fort Worth, TX (US)

(**) Term: **15 Years**

(21) Appl. No.: **29/707,474**

(22) Filed: **Sep. 27, 2019**

(51) **LOC (12) Cl.** **12-07**

(52) **U.S. Cl.**
USPC **D12/319**

(58) **Field of Classification Search**
USPC D12/1-4, 16.1, 319-345; D21/301, 436, D21/441, 442, 443, 444, 447, 448, 449, D21/450, 451, 452, 453, 454, 455
CPC B64C 39/024; B64C 2201/108; B64C 2201/141; B64C 2201/024
See application file for complete search history.

(56) **References Cited**

U.S. PATENT DOCUMENTS

D149,803 S * 6/1948 Fhagen D21/442
D163,928 S * 7/1951 Barnett D12/327

4,913,376 A * 4/1990 Black B64C 27/02
244/17.11
D357,894 S * 5/1995 Arnold D12/327
5,415,364 A * 5/1995 Grant B64C 27/006
244/121
D425,853 S * 5/2000 Caporaletti D12/327
D467,861 S * 12/2002 Lee D12/326
D526,269 S * 8/2006 Eadie D12/327
D545,755 S * 7/2007 Van de Rostyne D12/327
D548,803 S * 8/2007 Zimet D21/442
D557,194 S * 12/2007 Zimet D12/326

(Continued)

Primary Examiner — Marissa J Cash

(74) *Attorney, Agent, or Firm* — Lawrence Youst PLLC

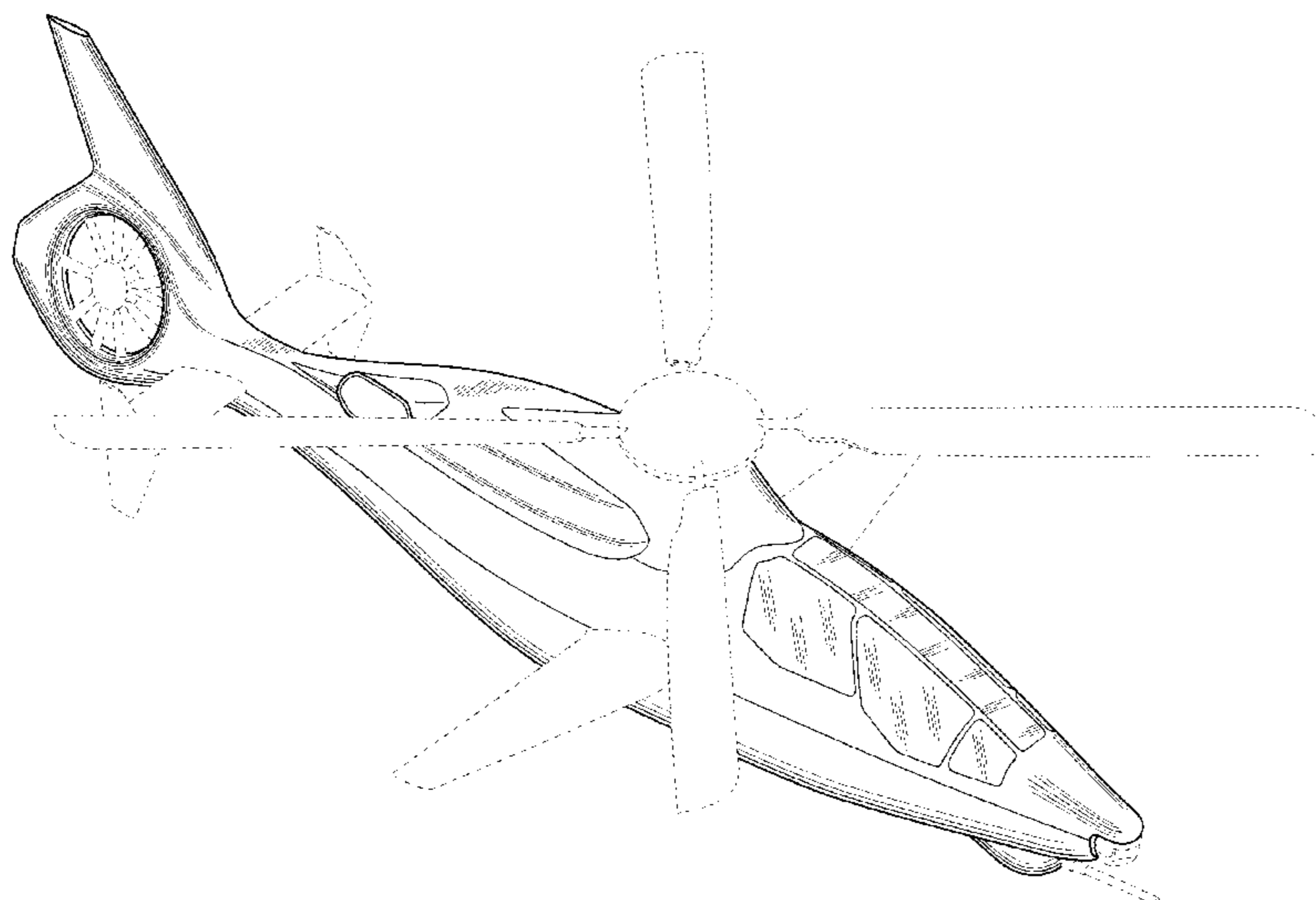
(57) **CLAIM**

The ornamental design for a combined aircraft fuselage and empennage, as shown and described.

DESCRIPTION

FIG. 1 is a perspective view of a combined aircraft fuselage and empennage;
FIG. 2 is a top plan view of the combined aircraft fuselage and empennage of FIG. 1;
FIG. 3 is a bottom plan view of the combined aircraft fuselage and empennage of FIG. 1;
FIG. 4 is a right side elevation view of the combined aircraft fuselage and empennage of FIG. 1;
FIG. 5 is a left side elevation view of the combined aircraft fuselage and empennage of FIG. 1;
FIG. 6 is a front elevation view of the combined aircraft fuselage and empennage of FIG. 1; and,
FIG. 7 is a rear elevation view of the combined aircraft fuselage and empennage of FIG. 1.
The broken lines in the drawings represent unclaimed environmental subject matter and form no part of the claim.

1 Claim, 6 Drawing Sheets



(56)

References Cited

U.S. PATENT DOCUMENTS

D559,764 S * 1/2008 Wai D12/326
 D561,676 S * 2/2008 Wai D12/326
 D561,677 S * 2/2008 Wai D12/326
 D561,678 S * 2/2008 Wai D12/345
 D571,708 S * 6/2008 Wai D12/319
 D580,343 S * 11/2008 Van de Rostyne D12/345
 D580,845 S * 11/2008 Van de Rostyne D12/326
 D581,341 S * 11/2008 Van de Rostyne D12/345
 D582,336 S * 12/2008 Van de Rostyne D12/345
 D613,202 S * 4/2010 Rodriquez D12/3
 D620,838 S * 8/2010 Miralles D12/3
 D629,737 S * 12/2010 Betsch D12/319
 D648,808 S * 11/2011 Seydoux D21/441
 D649,506 S * 11/2011 Morelli D12/319
 D695,205 S * 12/2013 Guzman D12/326
 D707,614 S * 6/2014 Colten D12/319
 D708,273 S * 7/2014 Kouyoumjian D21/442

D710,782 S * 8/2014 Cummings D12/326
 D717,227 S * 11/2014 Herzberger D12/324
 D730,803 S * 6/2015 Hoover D12/326
 9,260,186 B1 * 2/2016 van der Westhuizen
 B64C 27/025
 D795,160 S * 8/2017 Koppenwallner D12/343
 D817,253 S * 5/2018 Jeong D12/327
 D824,320 S * 7/2018 Ivans D12/327
 D825,381 S * 8/2018 Meugnier D12/16.1
 D833,364 S * 11/2018 Schmiderer D12/344
 10,319,244 B2 * 6/2019 Sane G08G 5/0008
 10,343,762 B2 * 7/2019 Ross B64C 11/28
 D857,607 S * 8/2019 Ivans D12/326
 10,371,066 B2 * 8/2019 Steinwandel B64C 39/024
 D881,106 S * 4/2020 Parvizian D12/319
 10,611,479 B1 * 4/2020 Ivans B64D 7/06
 2008/0272244 A1 * 11/2008 Bjornenak B64C 27/30
 244/7 R
 2020/0223540 A1 * 7/2020 Ivans B64C 27/26

* cited by examiner

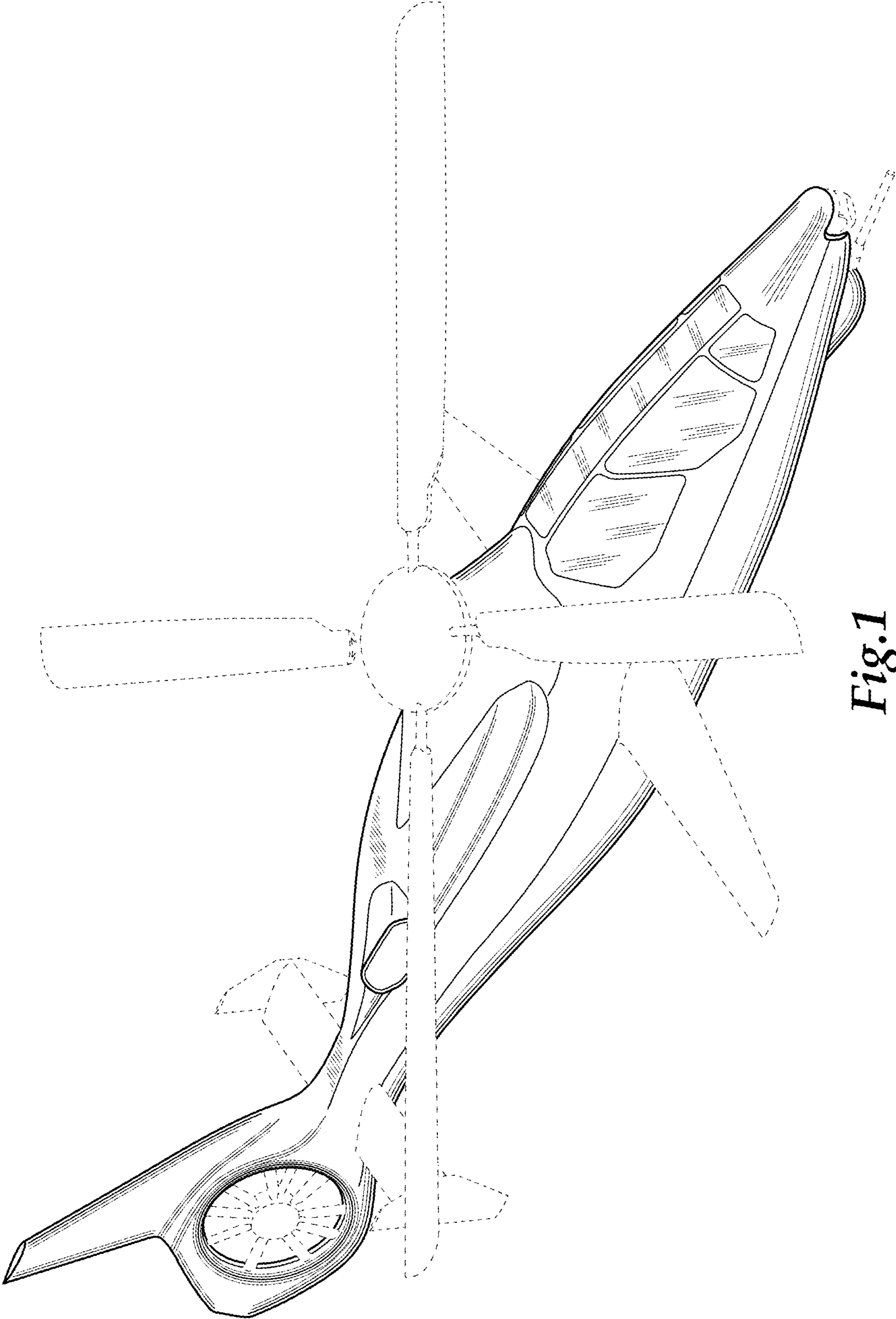


Fig. 1

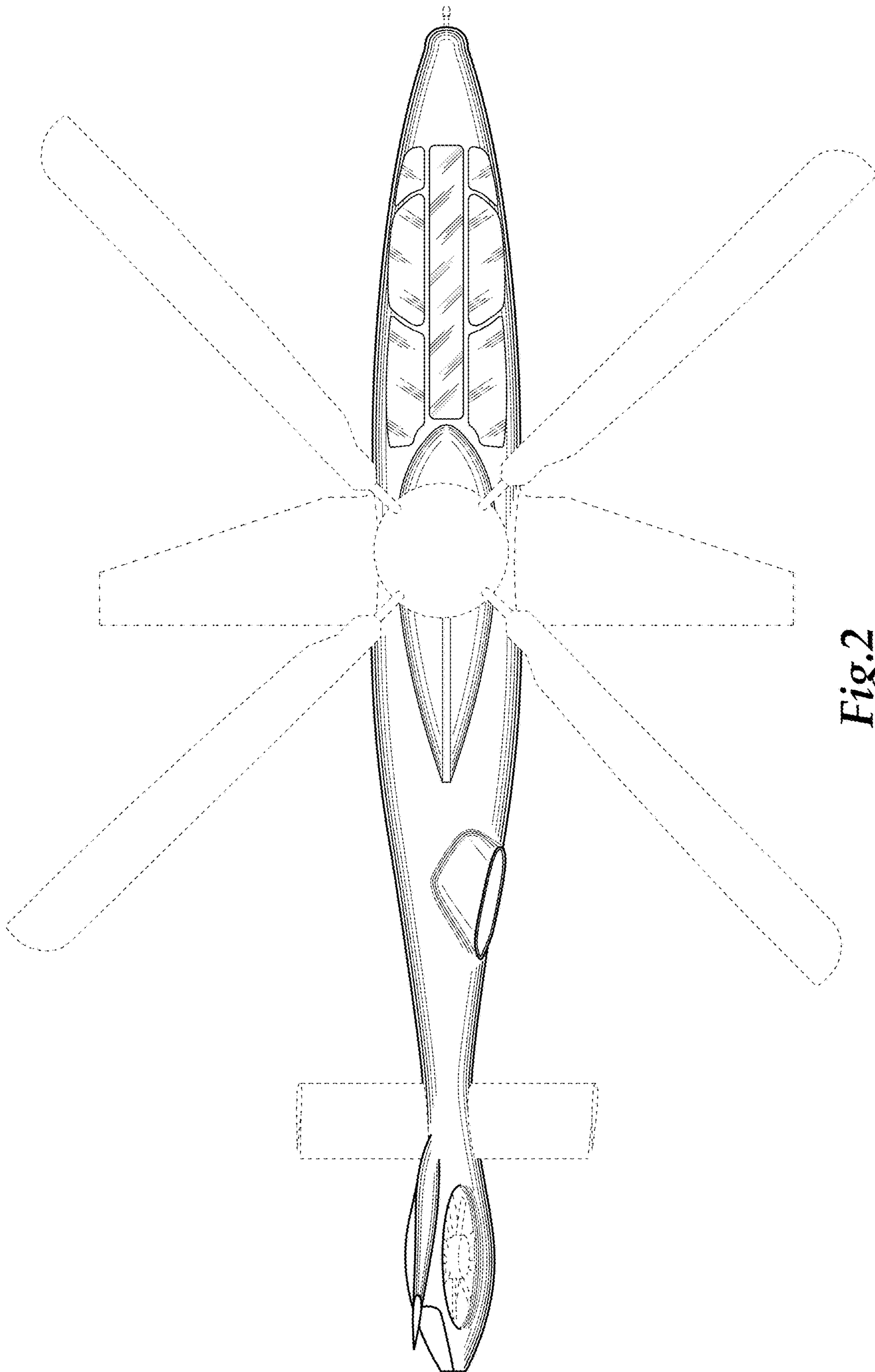


Fig.2

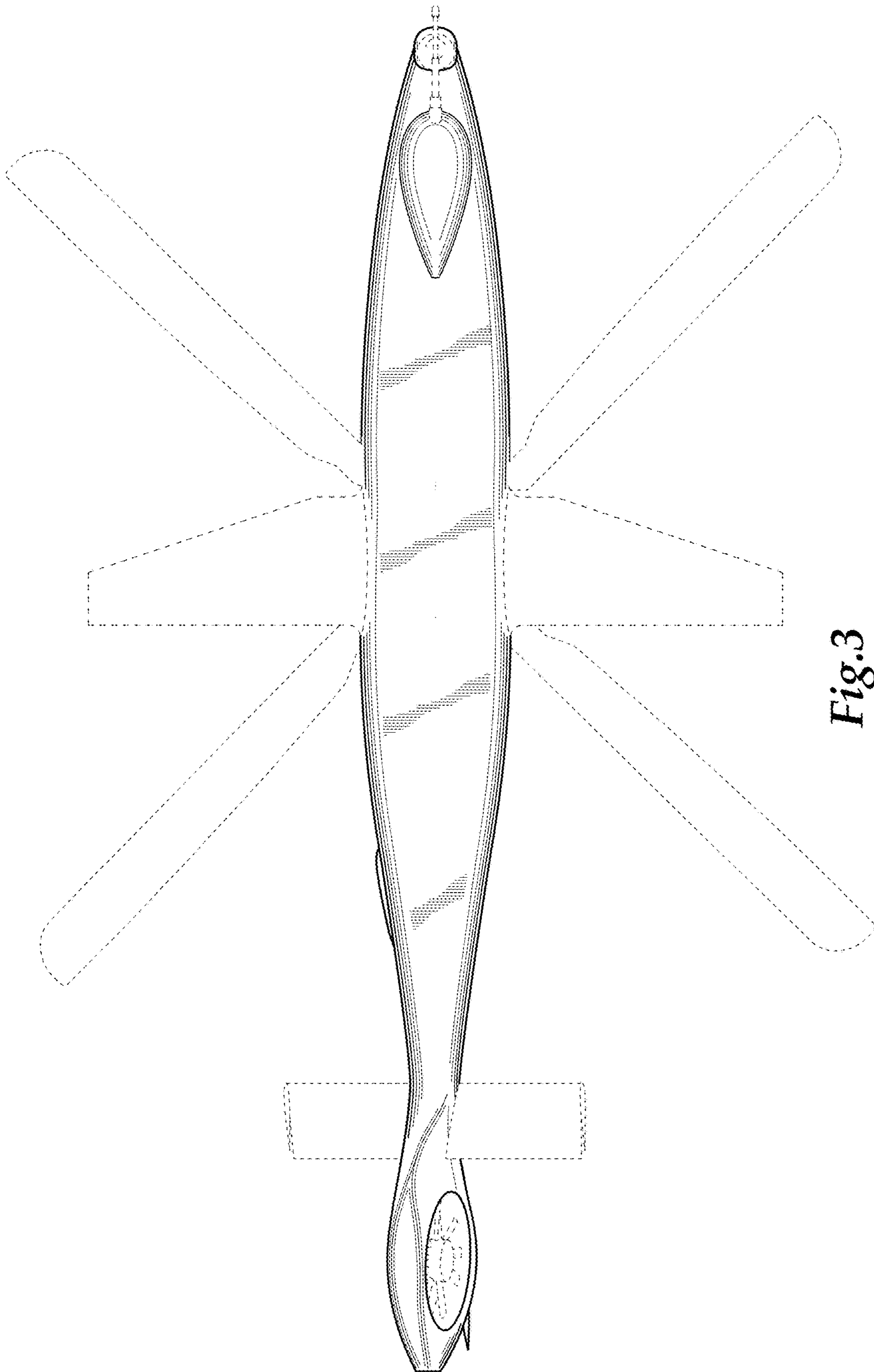


Fig. 3

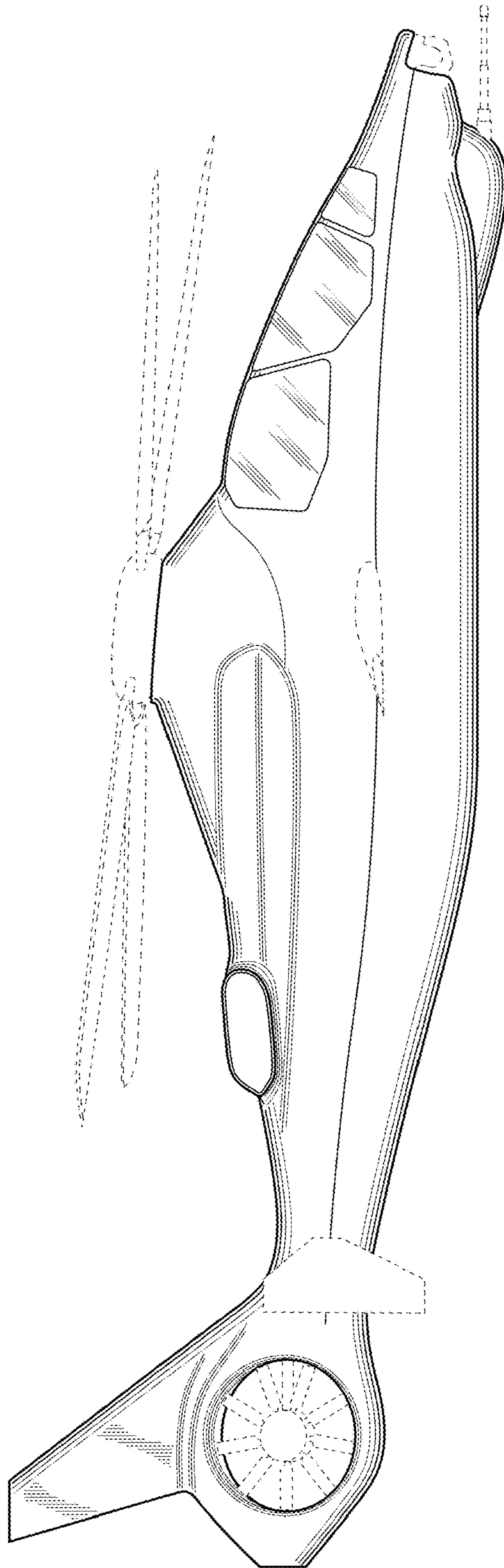


Fig.4

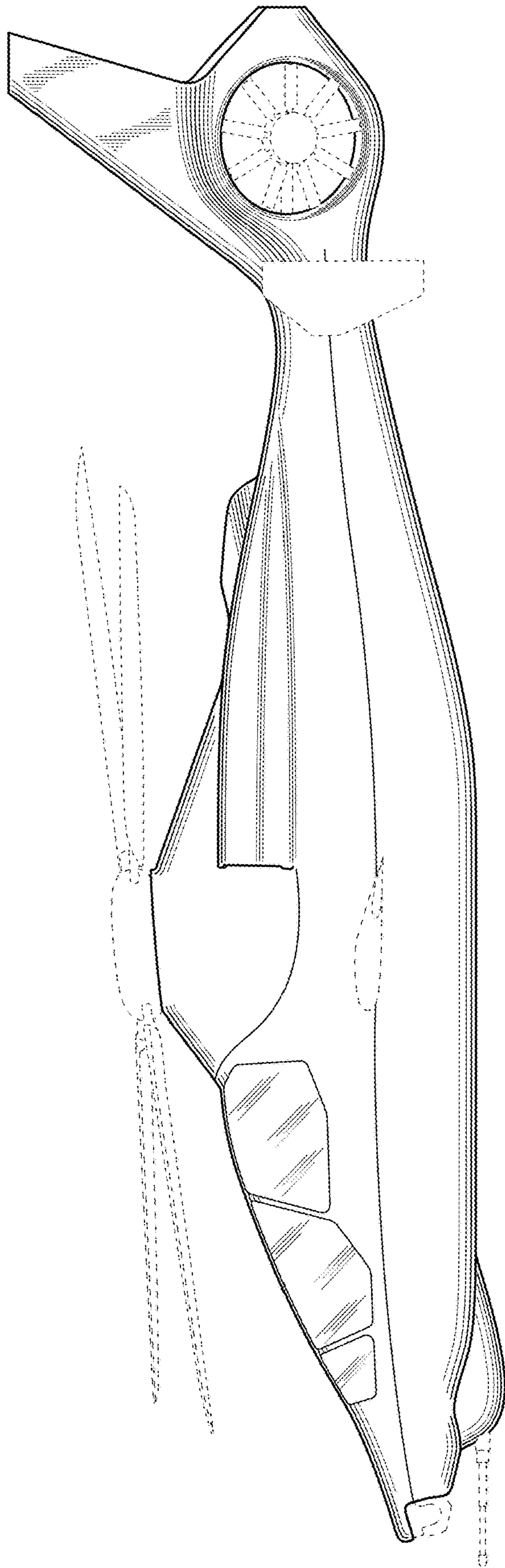


Fig.5

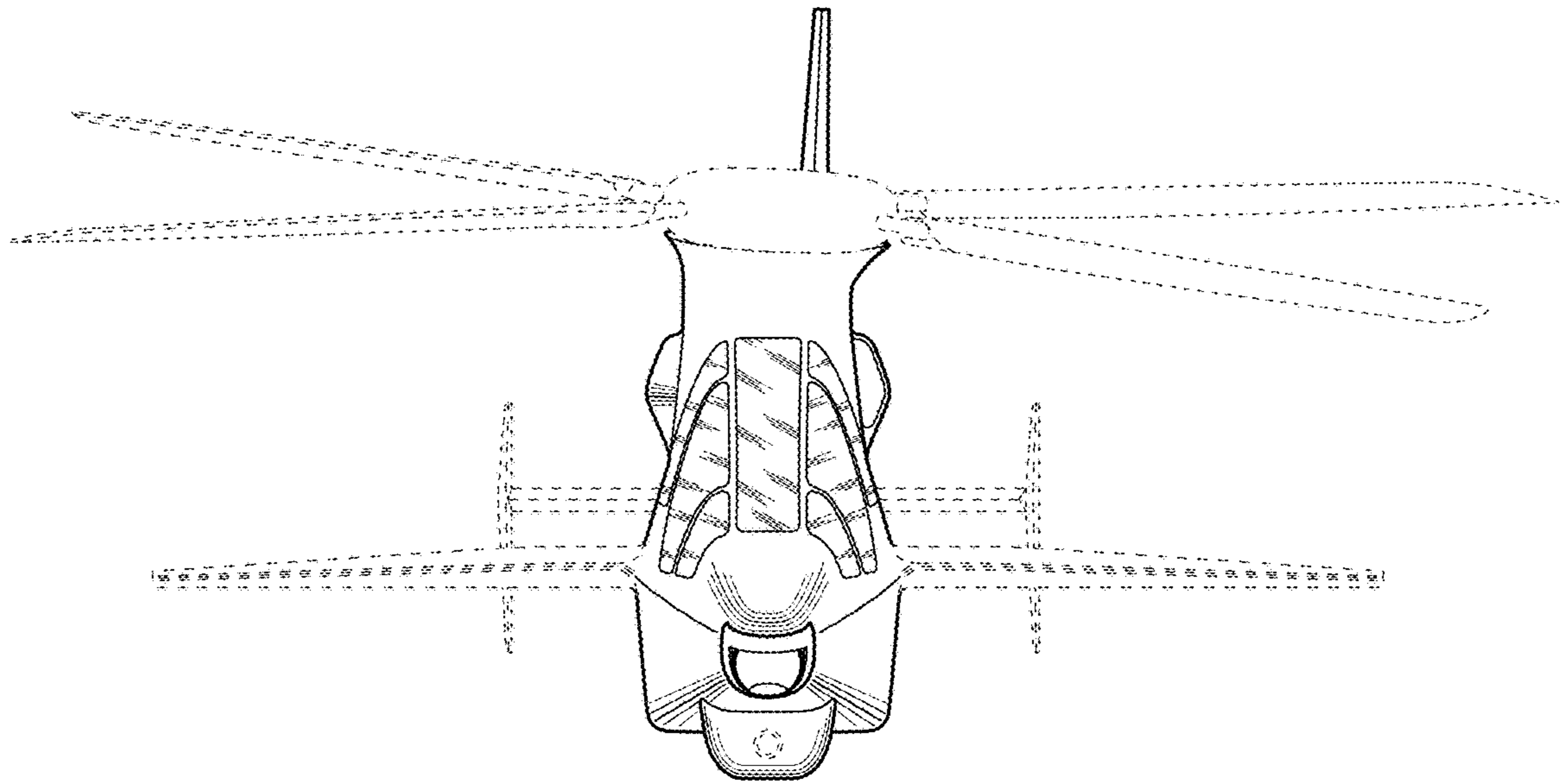


Fig.6

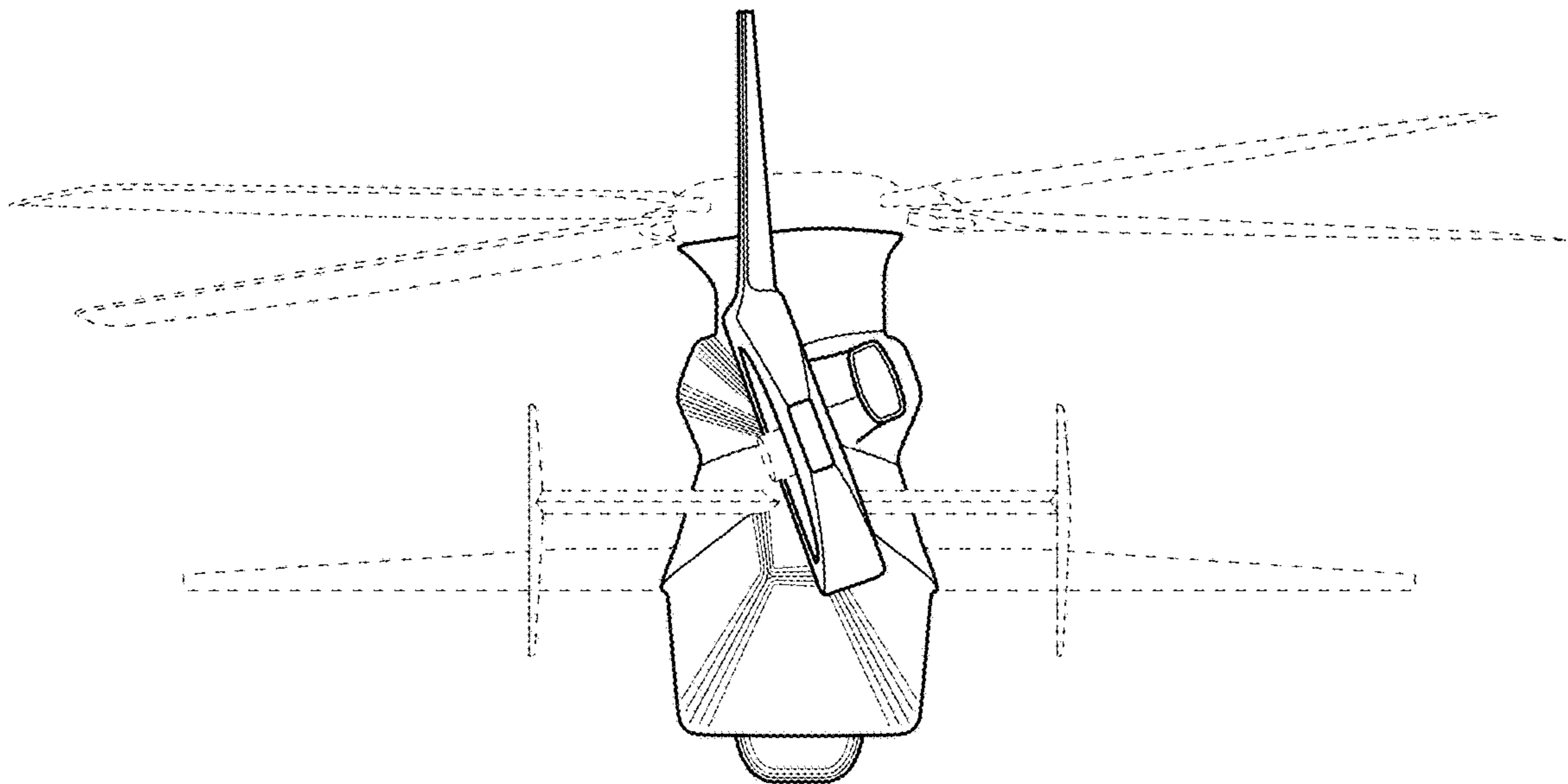


Fig.7