



US00D896723S

(12) **United States Design Patent**
Daniel

(10) **Patent No.:** **US D896,723 S**

(45) **Date of Patent:** **** Sep. 22, 2020**

(54) **VEHICLE WHEEL RIM**

(71) Applicant: **AUDI AG**, Ingolstadt (DE)

(72) Inventor: **Tünde Daniel**, Ingolstadt (DE)

(73) Assignee: **AUDI AG**, Ingolstadt (DE)

(**) Term: **15 Years**

(21) Appl. No.: **29/703,747**

(22) Filed: **Aug. 29, 2019**

(30) **Foreign Application Priority Data**

Jun. 11, 2019 (EM) 006 575 593

(51) **LOC (12) Cl.** **12-16**

(52) **U.S. Cl.**
USPC **D12/209**

(58) **Field of Classification Search**
USPC D12/204–213; D21/563
CPC B60B 7/00; B60B 7/02; B60B 7/04; B60B
7/01; B60B 7/06; B60B 3/02; B60B 3/04;
B60B 3/06; B60B 3/10; B60B 1/00;
B60B 1/08; B60B 1/10; B60B 1/12
See application file for complete search history.

(56) **References Cited**

U.S. PATENT DOCUMENTS

D573,932 S * 7/2008 Laengerer D12/209
D595,201 S * 6/2009 Antoniadis D12/211
D608,712 S * 1/2010 Pollmann D12/209

D611,396 S * 3/2010 Antoniadis D12/211
D663,248 S * 7/2012 Kogawa D12/209
D671,877 S * 12/2012 Roura D12/209
D673,094 S * 12/2012 Behmer D12/209
D769,164 S * 10/2016 Valencia Pollex D12/209
D813,781 S * 3/2018 Valencia Pollex D12/209
D825,432 S * 8/2018 Trim D12/211
D832,179 S * 10/2018 Behmer D12/211
D843,912 S * 3/2019 Metros D12/209
D847,066 S * 4/2019 Bucher D12/209
D856,889 S * 8/2019 Zhao D12/209
D859,266 S * 9/2019 Valencia Pollex D12/209
D875,017 S * 2/2020 Valencia Pollex D12/209
D877,020 S * 3/2020 Valencia Pollex D12/209
D877,021 S * 3/2020 Rosello Visa D12/209
D877,024 S * 3/2020 Valencia Pollex D12/209
D878,997 S * 3/2020 Tian D12/209
D880,395 S * 4/2020 Valencia Pollex D12/209
D882,482 S * 4/2020 Rosello Visa D12/209
D884,575 S * 5/2020 Rosello Visa D12/209

* cited by examiner

Primary Examiner — Stacia A Cadmus

(74) *Attorney, Agent, or Firm* — Lucas & Mercanti, LLP;
Klaus P. Stoffel

(57) **CLAIM**

The ornamental design for a vehicle wheel rim, as shown and described.

DESCRIPTION

FIG. 1 is a front view of the vehicle wheel rim of the present invention; and,

FIG. 2 is a front, side perspective view thereof.

1 Claim, 2 Drawing Sheets

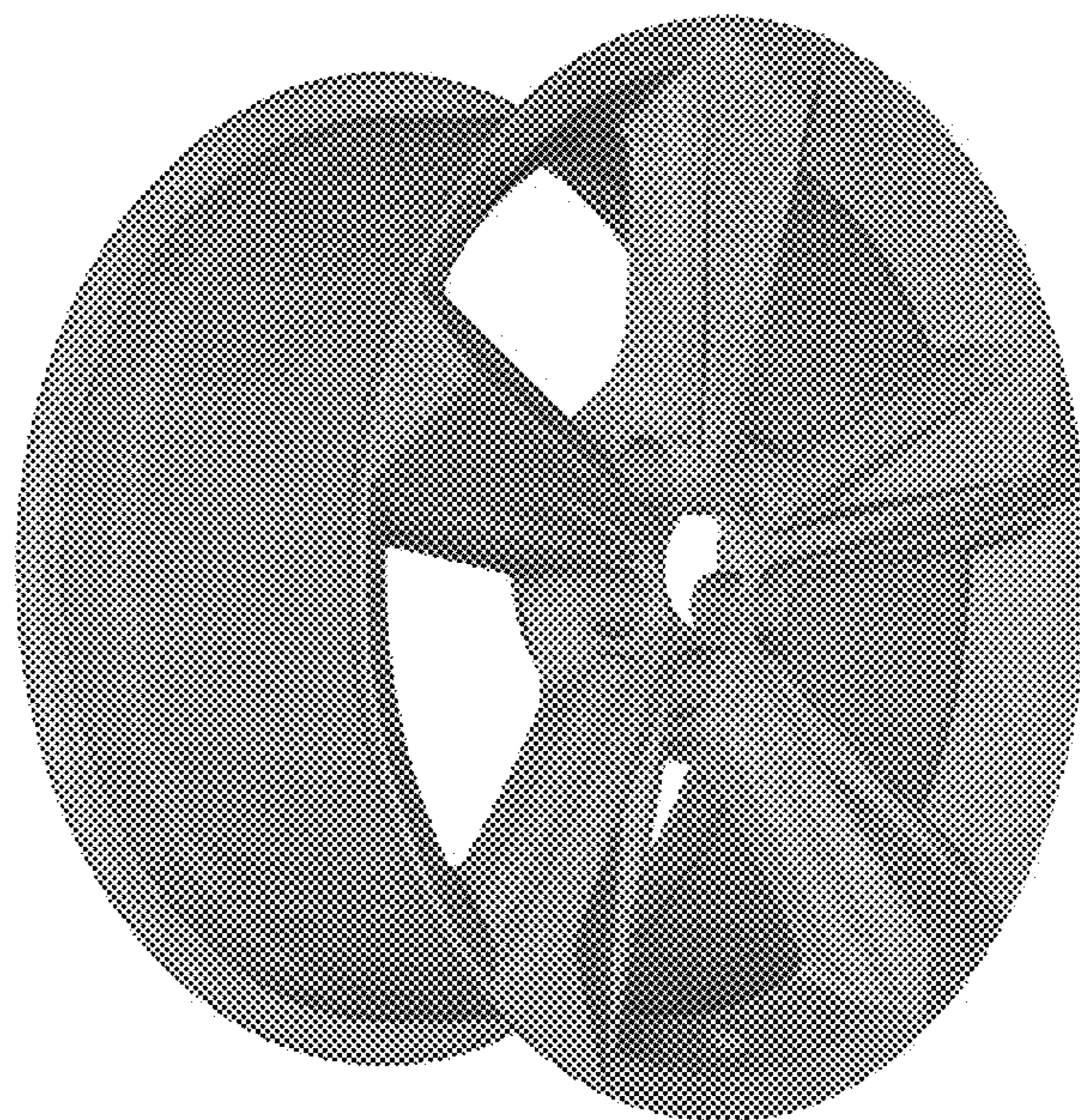
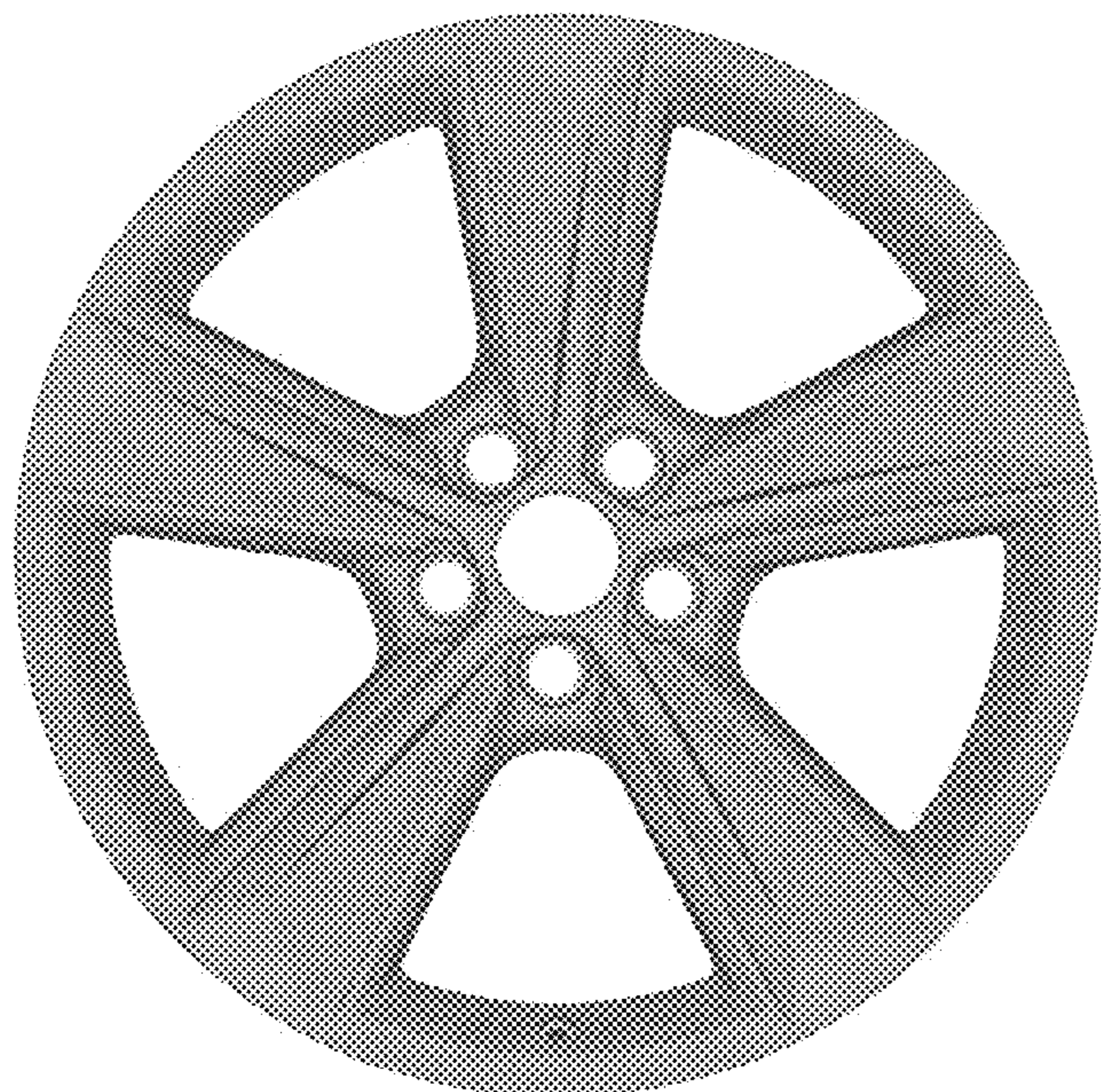




Fig. 1

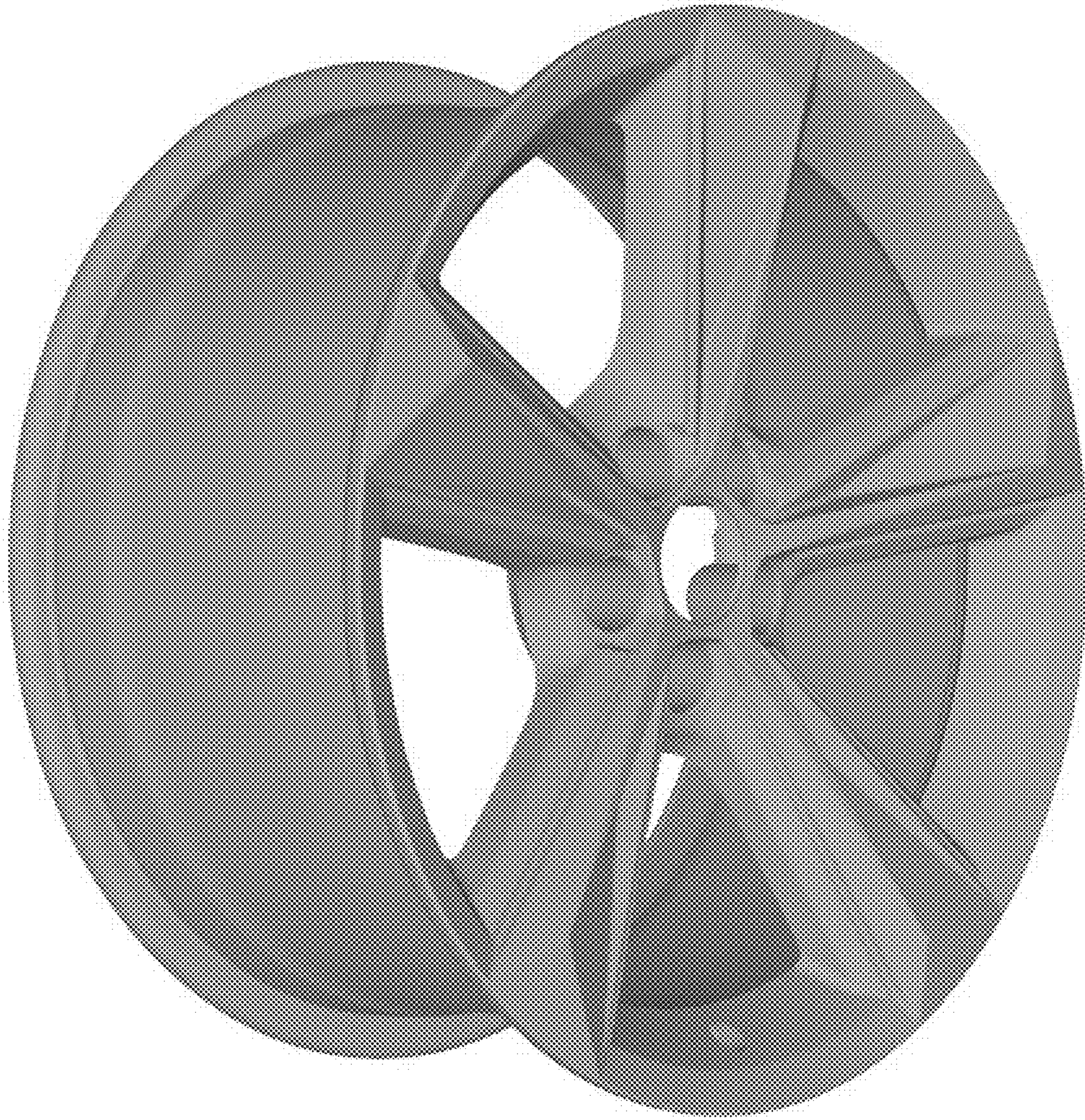


Fig. 2