



US00D896719S

(12) **United States Design Patent**  
**Metros et al.**

(10) **Patent No.:** **US D896,719 S**

(45) **Date of Patent:** **\*\* Sep. 22, 2020**

(54) **VEHICLE WHEEL**

(71) Applicant: **Ford Global Technologies, LLC**,  
Dearborn, MI (US)

(72) Inventors: **Craig Metros**, Bloomfield, MI (US);  
**George Bucher**, Dearborn, MI (US);  
**James Grake**, Beverly Hills, MI (US);  
**Sooyoung Kim**, Northville, MI (US)

(73) Assignee: **Ford Global Technologies, LLC**,  
Dearborn, MI (US)

(\*\*) Term: **15 Years**

(21) Appl. No.: **29/685,420**

(22) Filed: **Mar. 28, 2019**

(51) **LOC (12) Cl.** ..... **12-16**

(52) **U.S. Cl.**  
USPC ..... **D12/209**

(58) **Field of Classification Search**

USPC ..... D12/204–213; D21/563  
CPC .... B60B 7/00; B60B 7/02; B60B 7/04; B60B  
7/01; B60B 7/06; B60B 3/02; B60B 3/04;  
B60B 3/06; B60B 3/10; B60B 1/00;  
B60B 1/08; B60B 1/10; B60B 1/12  
See application file for complete search history.

(56) **References Cited**

**U.S. PATENT DOCUMENTS**

D513,728 S *	1/2006	Yazawa	.....	D12/211
D525,184 S *	7/2006	Huet	.....	D12/211
D609,624 S *	2/2010	Matsubara	.....	D12/211
D635,077 S *	3/2011	Nordmann	.....	D12/209
D643,356 S	8/2011	Gotschke		
D644,587 S	9/2011	Gotschke		
D647,449 S	10/2011	Gotschke		
D667,355 S	9/2012	Gotschke		

D667,767 S	9/2012	Gotschke		
D673,494 S *	1/2013	Lemke	.....	D12/209
D686,965 S *	7/2013	Pollmann	.....	D12/211
D738,281 S *	9/2015	Watkin	.....	D12/211
D741,772 S *	10/2015	Lesnik	.....	D12/211
D761,180 S	7/2016	Bucher et al.		
D761,181 S	7/2016	Bucher et al.		
D773,370 S	12/2016	Bucher et al.		
D773,371 S	12/2016	Bucher et al.		
D778,801 S	2/2017	Bucher et al.		
D783,497 S *	4/2017	Vartola	.....	D12/211
D785,533 S *	5/2017	Pires	.....	D12/209
D786,767 S *	5/2017	Bjerke	.....	D12/209
D787,411 S *	5/2017	Peat	.....	D12/211
D791,047 S	7/2017	Bucher et al.		
D791,671 S	7/2017	Bucher et al.		
D809,447 S *	2/2018	Wolff	.....	D12/211
D825,427 S *	8/2018	Myrberg	.....	D12/209
D826,821 S *	8/2018	Woodhouse	.....	D12/209
D826,822 S *	8/2018	Woodhouse	.....	D12/209
D843,916 S *	3/2019	Wheel	.....	D12/211
D846,475 S *	4/2019	Lucas	.....	D12/209
D848,342 S *	5/2019	Chan	.....	D12/209
D862,346 S *	10/2019	Woodhouse	.....	D12/209
D862,355 S *	10/2019	Battams	.....	D12/209
D867,965 S *	11/2019	Wheel	.....	D12/211
D877,035 S *	3/2020	Park	.....	D12/211
D884,570 S *	5/2020	Liu	.....	D12/209

\* cited by examiner

*Primary Examiner* — Stacia A Cadmus

(74) *Attorney, Agent, or Firm* — Vichit Chea

(57) **CLAIM**

The ornamental design for a vehicle wheel, as shown and described.

**DESCRIPTION**

FIG. 1 is a front elevational view of a vehicle wheel showing our new design; and, FIG. 2 is a perspective view thereof.

**1 Claim, 2 Drawing Sheets**

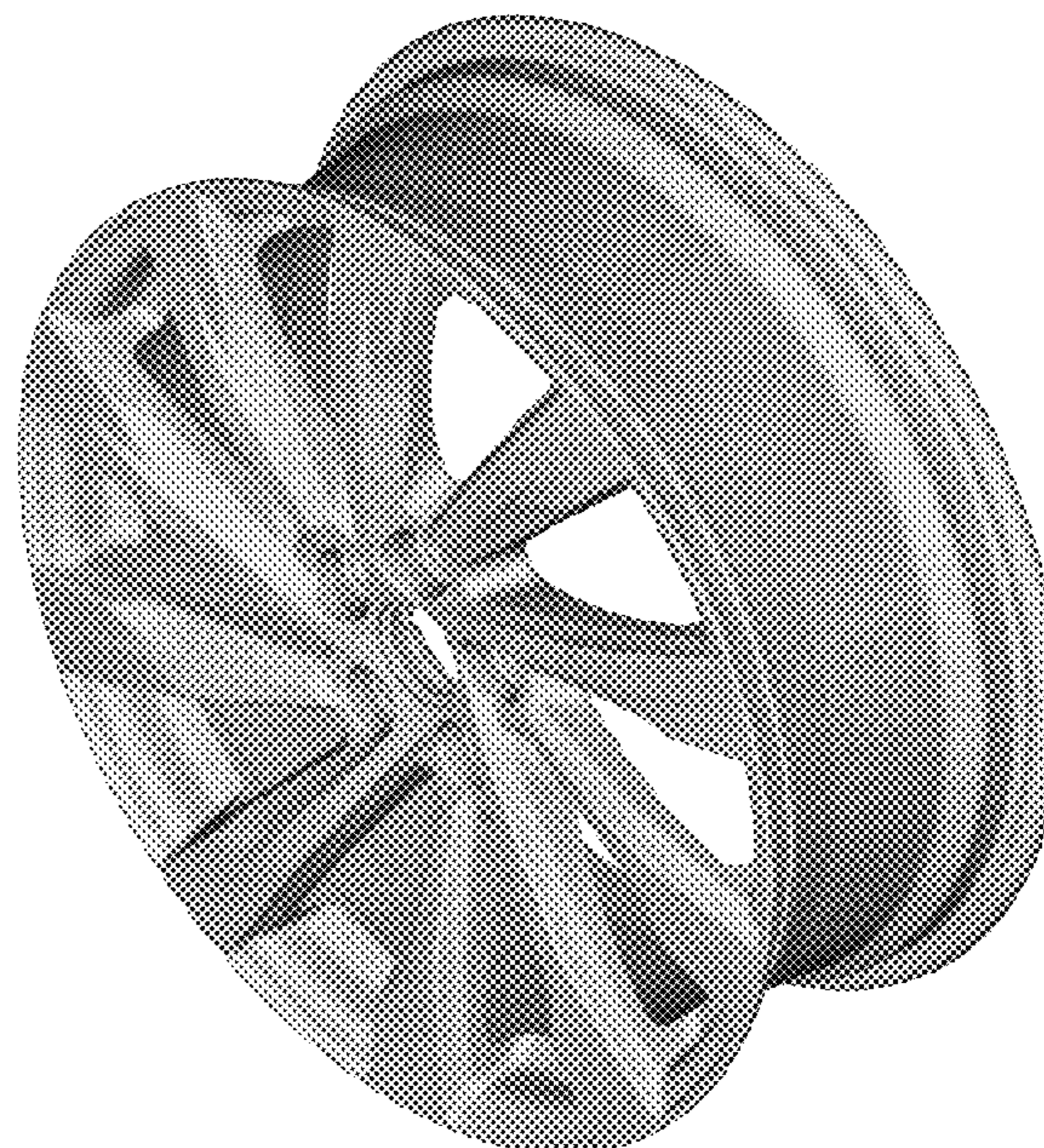
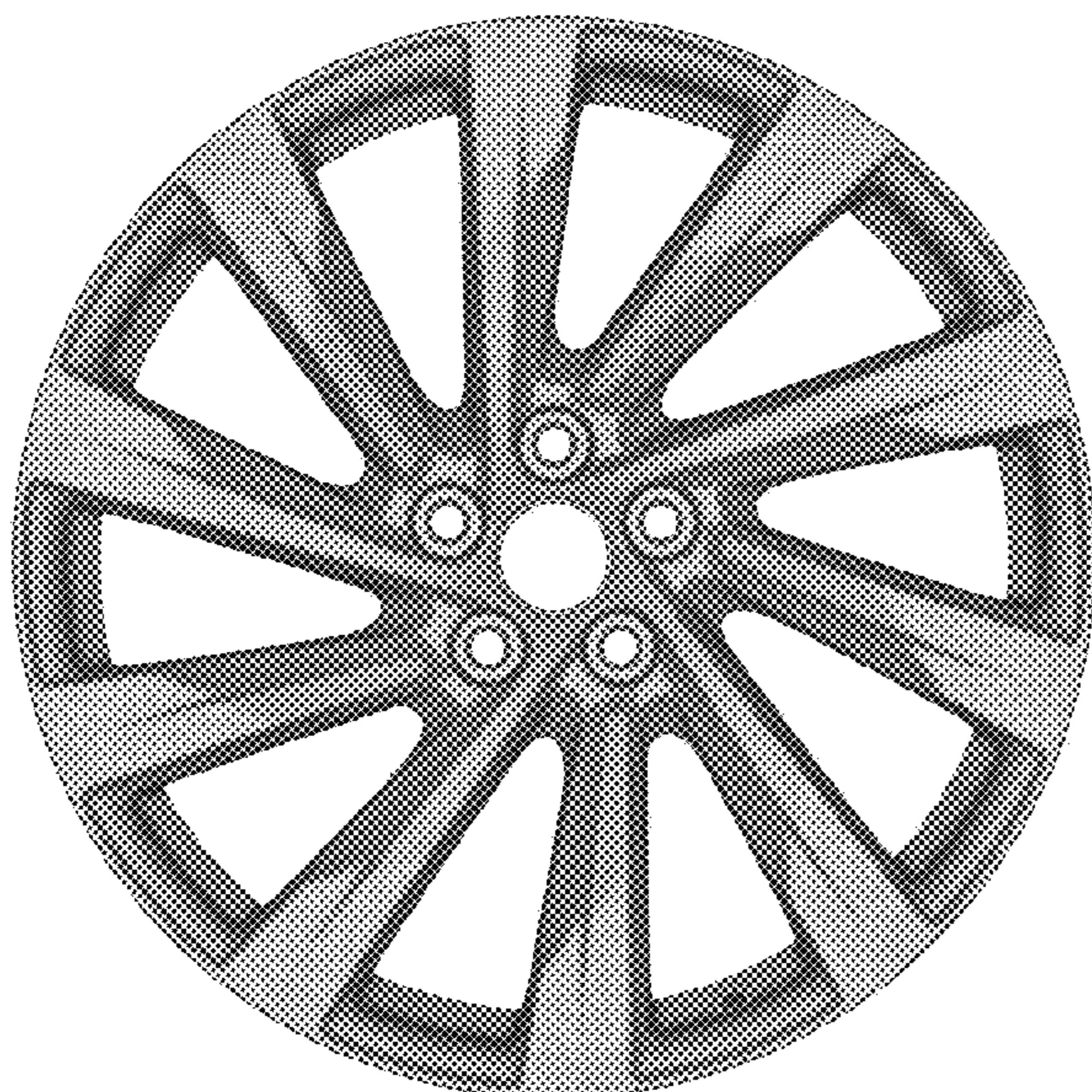




Fig. 1

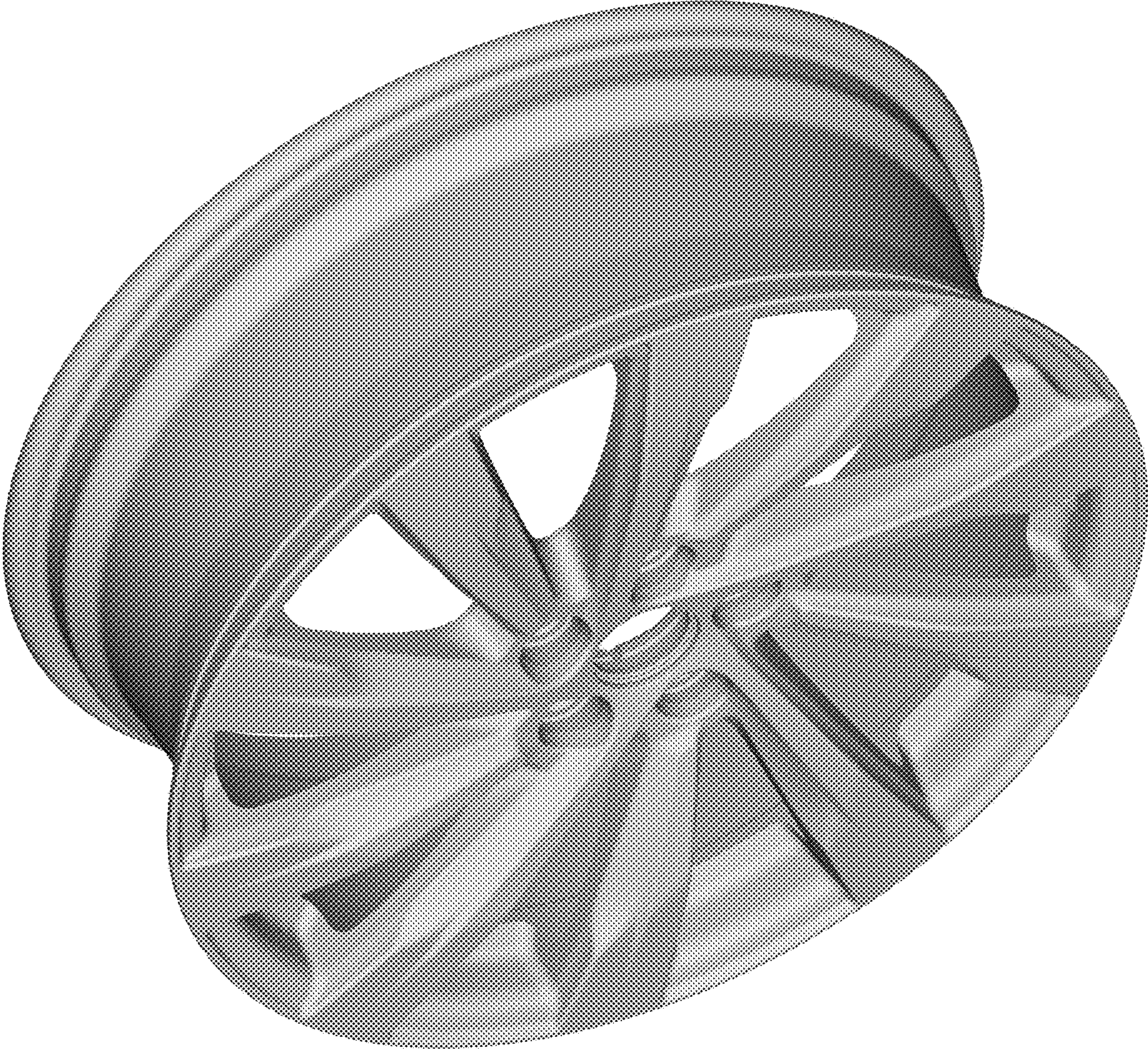


Fig. 2