



US00D896715S

(12) **United States Design Patent**
Bellaflor

(10) **Patent No.:** **US D896,715 S**

(45) **Date of Patent:** **** Sep. 22, 2020**

(54) **LICENSE PLATE FRAME**

(71) Applicant: **Cary Clement Tomas Bellaflor**,
Corona, CA (US)

(72) Inventor: **Cary Clement Tomas Bellaflor**,
Corona, CA (US)

(**) Term: **15 Years**

(21) Appl. No.: **29/691,924**

(22) Filed: **May 21, 2019**

(51) **LOC (12) Cl.** **12-16**

(52) **U.S. Cl.**
USPC **D12/193**

(58) **Field of Classification Search**
USPC D12/193; D6/300, 301, 302, 310-314;
D20/13
CPC B60R 13/10; B60R 13/105; B60R 19/24;
B60R 19/52

See application file for complete search history.

(56) **References Cited**

U.S. PATENT DOCUMENTS

D301,863 S *	6/1989	Iacovelli	D12/193
D377,777 S *	2/1997	Kheyfets	D12/193
D413,848 S *	9/1999	Doerr	D12/193
D448,808 S *	10/2001	Oswick	D20/35
D564,429 S *	3/2008	Hirth	D12/193
D579,391 S *	10/2008	Lin	D12/193
D591,660 S *	5/2009	Kazaryan	D12/193
D596,545 S *	7/2009	Son	D12/193
D599,725 S *	9/2009	Hu	D12/193
D628,131 S *	11/2010	Hu	D12/193
D678,828 S *	3/2013	Sanchez	D12/193
D713,771 S *	9/2014	Kuo	D12/193
D717,223 S *	11/2014	Doerr	D12/193
D739,800 S *	9/2015	Spencer	D12/193
D753,038 S *	4/2016	Doerr	D12/193
D758,267 S *	6/2016	Marko, Jr.	D12/193
D784,879 S *	4/2017	Liao	D12/193
D826,123 S *	8/2018	Doerr	D12/193

D826,815 S *	8/2018	Doerr	D12/193
10,053,029 B2 *	8/2018	Georgiadis	B60R 13/005
D839,159 S *	1/2019	Clarke	D12/193
D847,059 S *	4/2019	Larson	D12/193
D847,713 S *	5/2019	Swisher	D12/193
D868,658 S *	12/2019	Swisher	D12/193
D870,624 S *	12/2019	Filakousky	D12/193
D870,625 S *	12/2019	Filakousky	D12/193

(Continued)

OTHER PUBLICATIONS

California Print License Plate Frame Tag Holder Chrome S. Steel Fits BMW X5, OmacShop.com, [online], [site visited Jul. 17, 2020]. <URL: <https://omacshop.com/products/california-s-steel-chrome-license-plate-frame-set-fits-bmw-x5-2007-2013>> (Year: 2020).*

Primary Examiner — T Chase Nelson

Assistant Examiner — Jonathan J. Han

(74) *Attorney, Agent, or Firm* — Khoo Patent Services; Denis Khoo

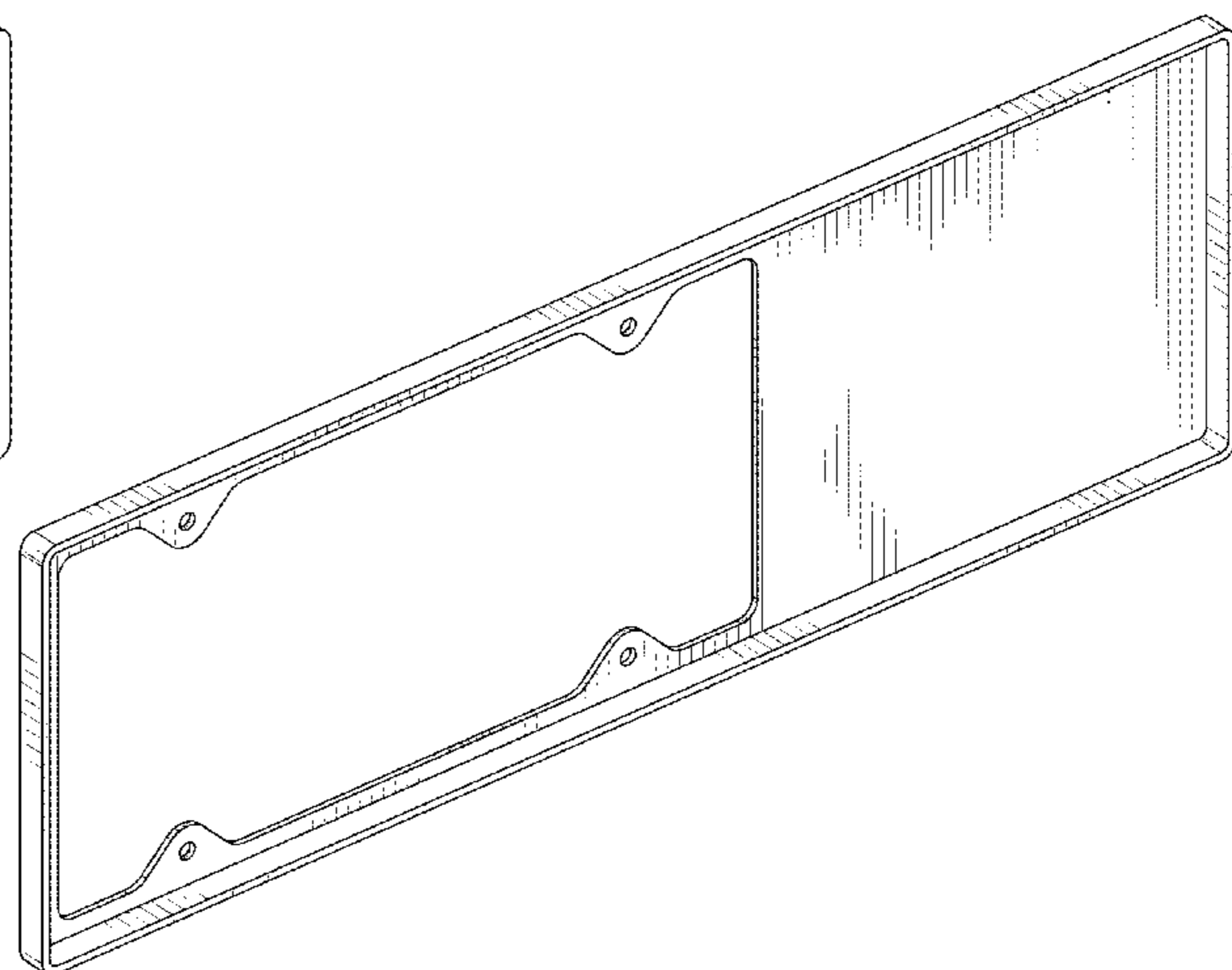
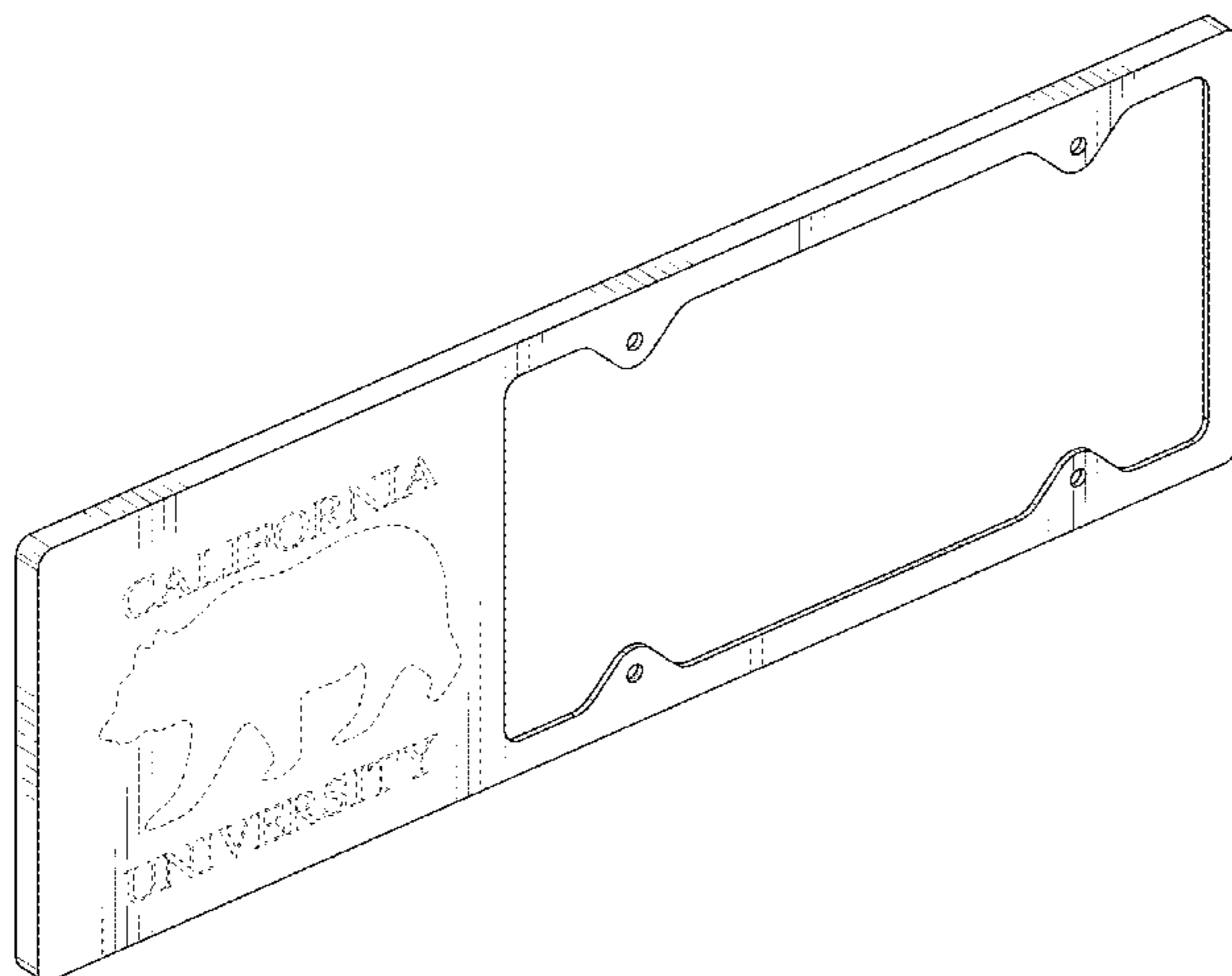
(57) **CLAIM**

The ornamental design for a license plate frame, as shown and described.

DESCRIPTION

FIG. 1 is a front perspective view of a license plate frame showing my new design; FIG. 2 is a rear perspective view thereof; FIG. 3 is a front view thereof; FIG. 4 is a rear view thereof; FIG. 5 is a side view thereof; FIG. 6 is another side view thereof; FIG. 7 is a top view thereof; and, FIG. 8 is a bottom view thereof. The broken lines on the front of the license plate frame in FIGS. 1 and 3 depict features that form no part of the claimed design.

1 Claim, 6 Drawing Sheets



(56)

References Cited

U.S. PATENT DOCUMENTS

D871,989 S * 1/2020 Spencer D12/193
D875,628 S * 2/2020 Gloodt D12/193
D890,052 S * 7/2020 Urbanczyk D12/193

* cited by examiner

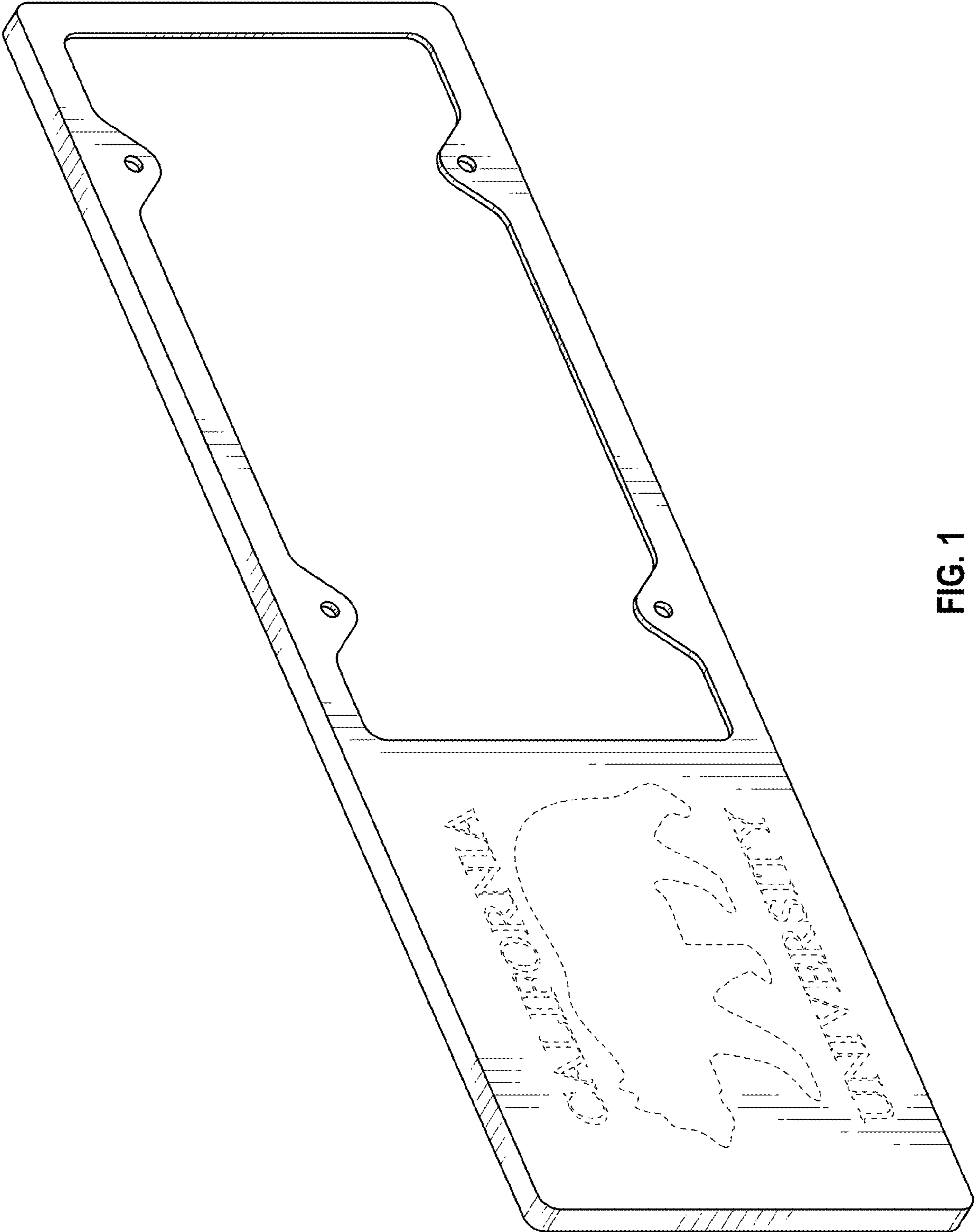


FIG. 1

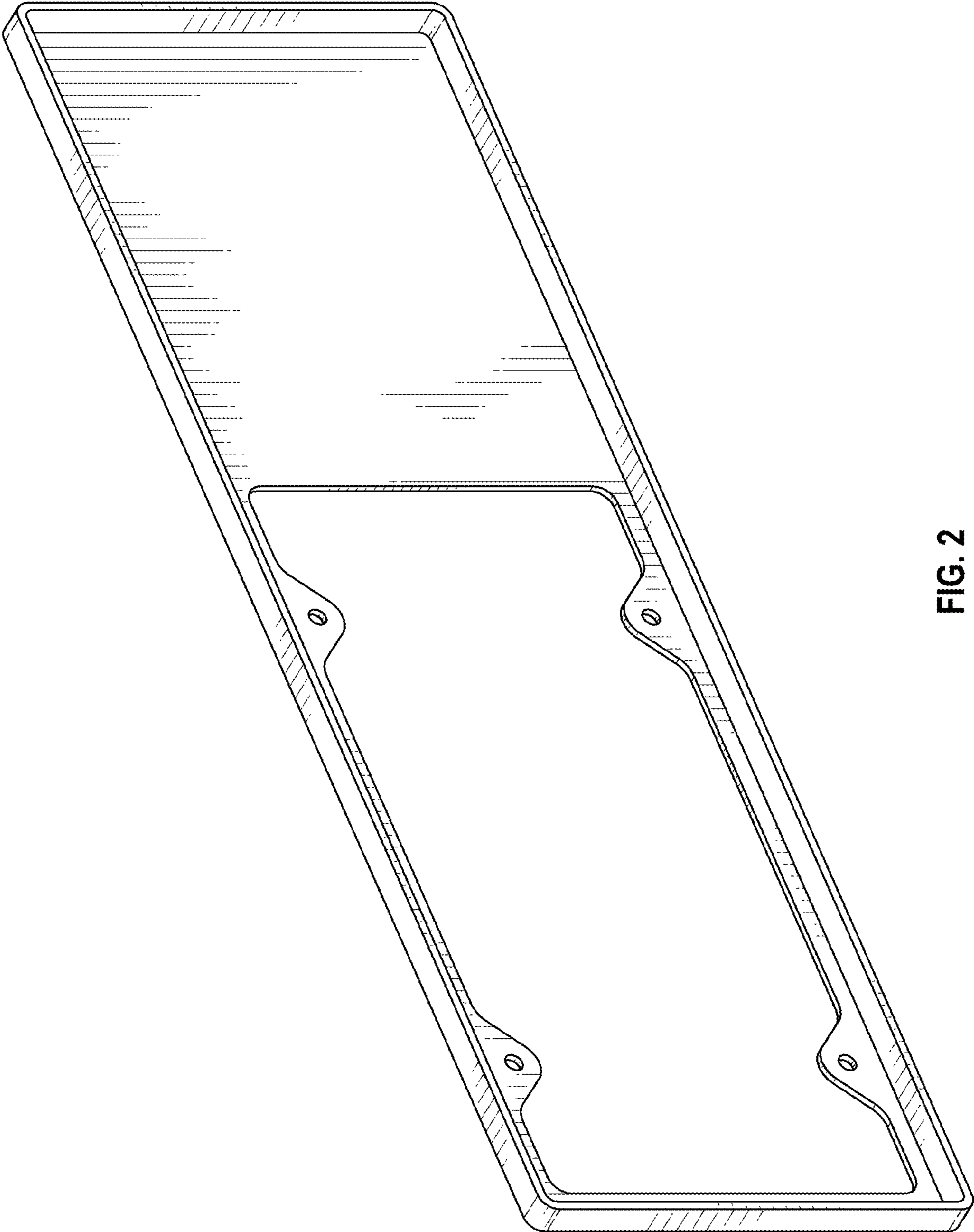


FIG. 2

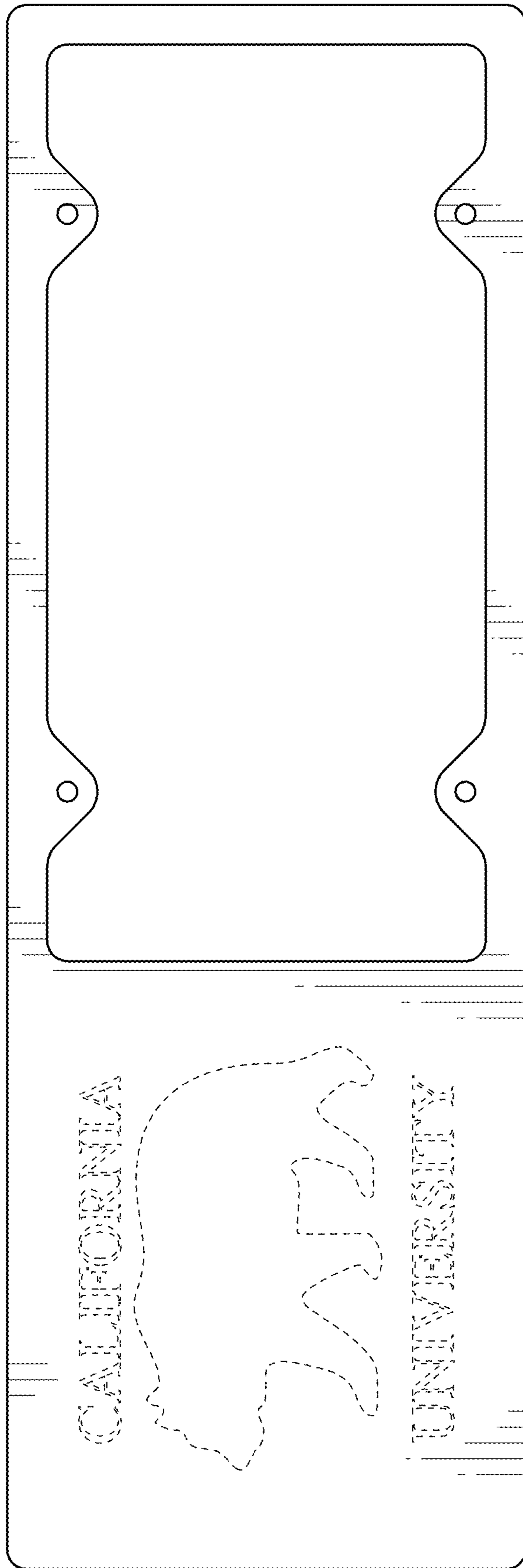


FIG. 3

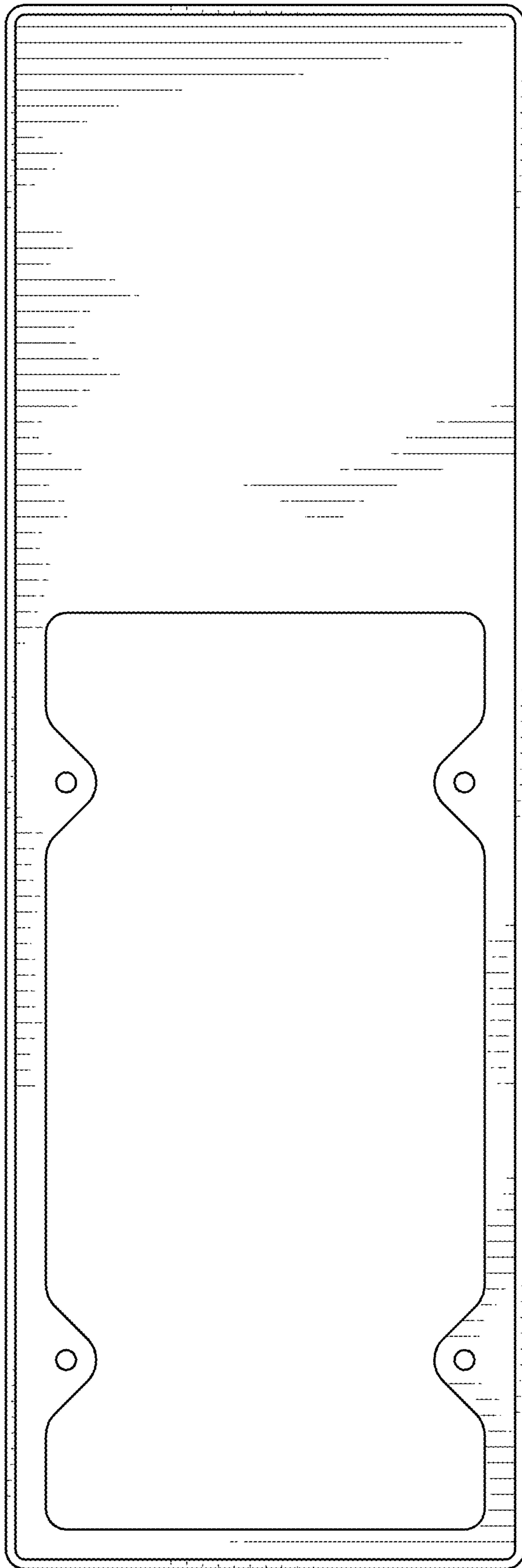


FIG. 4



FIG. 6



FIG. 5



FIG. 7



FIG. 8