



US00D896712S

(12) **United States Design Patent** (10) **Patent No.:** **US D896,712 S**  
**Lu** (45) **Date of Patent:** **\*\* Sep. 22, 2020**

(54) **BUMPER WINGLET**  
(71) Applicant: **Turn 5, Inc.**, Paoli, PA (US)  
(72) Inventor: **Shunguo Lu**, Danyang (CN)  
(73) Assignee: **Turn 5, Inc.**, Paoli, PA (US)  
(\*\*) Term: **15 Years**  
(21) Appl. No.: **29/666,381**  
(22) Filed: **Oct. 12, 2018**  
(51) **LOC (12) Cl.** ..... **12-16**  
(52) **U.S. Cl.**  
USPC ..... **D12/169**  
(58) **Field of Classification Search**  
USPC ..... D12/86-92, 163-172  
CPC ..... B60R 19/18; B60R 19/24; B60R 19/44;  
B60R 19/48; B60R 19/56; B60R  
2019/527; B60R 2019/1886; B62D  
25/0845  
See application file for complete search history.

(56) **References Cited**  
U.S. PATENT DOCUMENTS  
D281,152 S \* 10/1985 Luthe ..... D12/167  
D584,668 S \* 1/2009 Raghavendran ..... D12/184  
D644,574 S \* 9/2011 Vardis ..... D12/169  
D646,607 S \* 10/2011 Verhee ..... D12/169  
D681,516 S \* 5/2013 Jara ..... D12/169  
D744,922 S \* 12/2015 Jamieson ..... D12/196  
D762,147 S \* 7/2016 Messale ..... D12/169  
9,643,665 B2 \* 5/2017 Hommes ..... B62D 35/00  
D797,619 S \* 9/2017 Jung ..... D12/169  
D811,287 S \* 2/2018 Bucher ..... D12/169  
D813,118 S \* 3/2018 Yates ..... D12/169  
D818,403 S \* 5/2018 Cummins ..... D12/169  
D821,937 S \* 7/2018 Cummins ..... D12/169

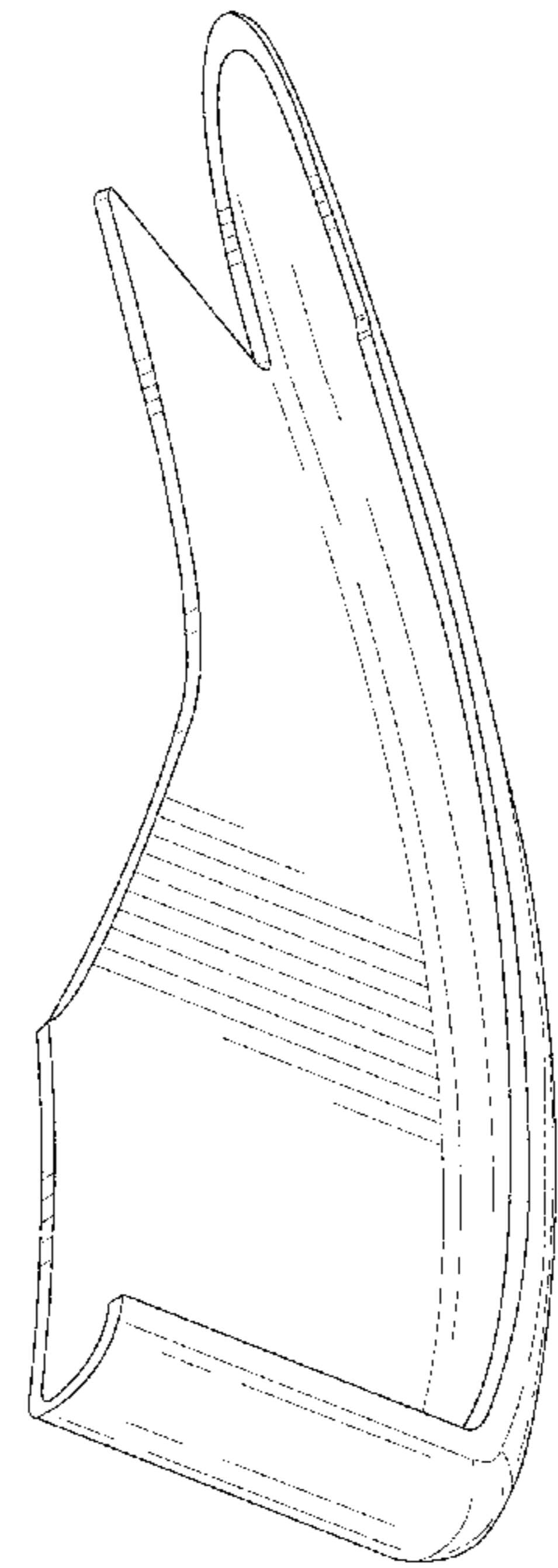
D822,557 S \* 7/2018 DiCanzio ..... D12/169  
D826,112 S \* 8/2018 DiCanzio ..... D12/169  
D826,116 S \* 8/2018 DiCanzio ..... D12/172  
D826,801 S \* 8/2018 Platto ..... D12/169  
D833,926 S \* 11/2018 Waterhouse ..... D12/169  
D838,635 S \* 1/2019 Anderson ..... D12/169  
D848,321 S \* 5/2019 Lu ..... D12/169  
D848,324 S \* 5/2019 Thurber ..... D12/169  
D848,325 S \* 5/2019 Thurber ..... D12/169  
D861,553 S \* 10/2019 Woodhouse ..... D12/169  
D864,063 S \* 10/2019 DiCanzio ..... D12/181  
D868,656 S \* 12/2019 De Leon ..... D12/181

\* cited by examiner  
*Primary Examiner* — Darlington Ly  
(74) *Attorney, Agent, or Firm* — Schott, P.C.

(57) **CLAIM**  
The ornamental design for a bumper winglet, as shown and described.

**DESCRIPTION**  
FIG. 1 is a top perspective view of the bumper winglet showing our new design;  
FIG. 2 is a bottom perspective view thereof;  
FIG. 3 is a front elevation view thereof;  
FIG. 4 is a rear elevation view thereof;  
FIG. 5 is a top view thereof;  
FIG. 6 is a bottom view thereof;  
FIG. 7 is a left side elevation view thereof;  
FIG. 8 is a right side elevation view thereof; and,  
FIG. 9 is a perspective view thereof when mounted onto the front of an exemplary automobile.  
The broken lines showing the automobile and second winglet are provided for the purpose of illustrating environmental structure and form no part of the claimed design.

**1 Claim, 7 Drawing Sheets**



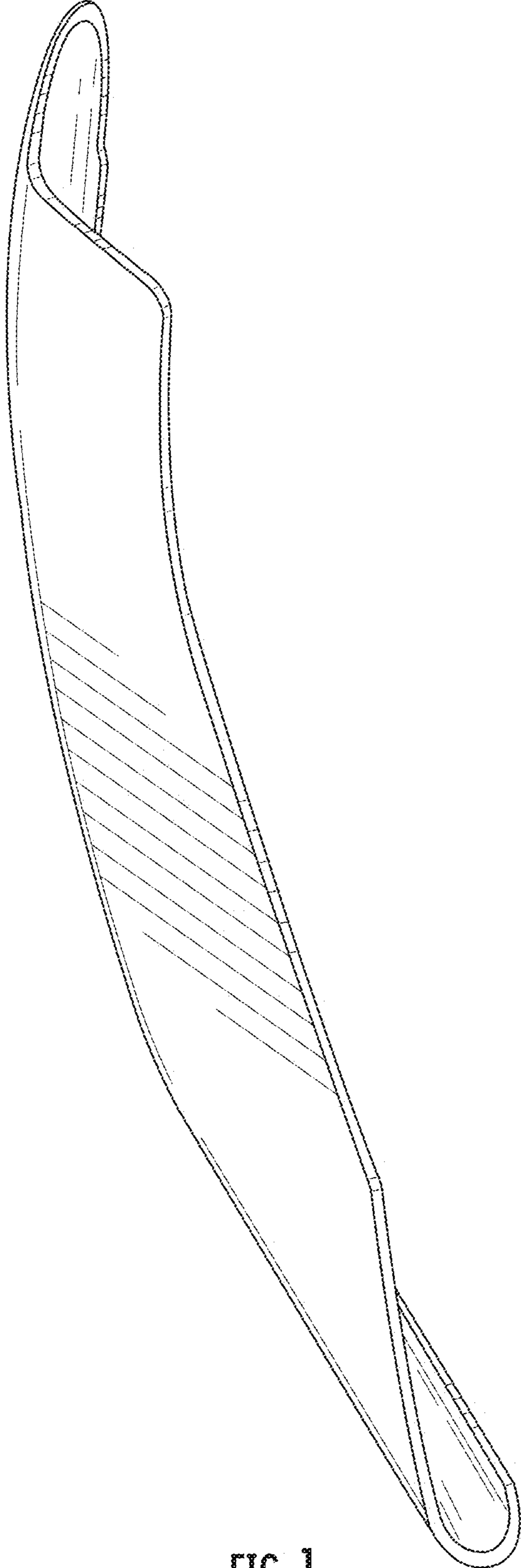


FIG. 1

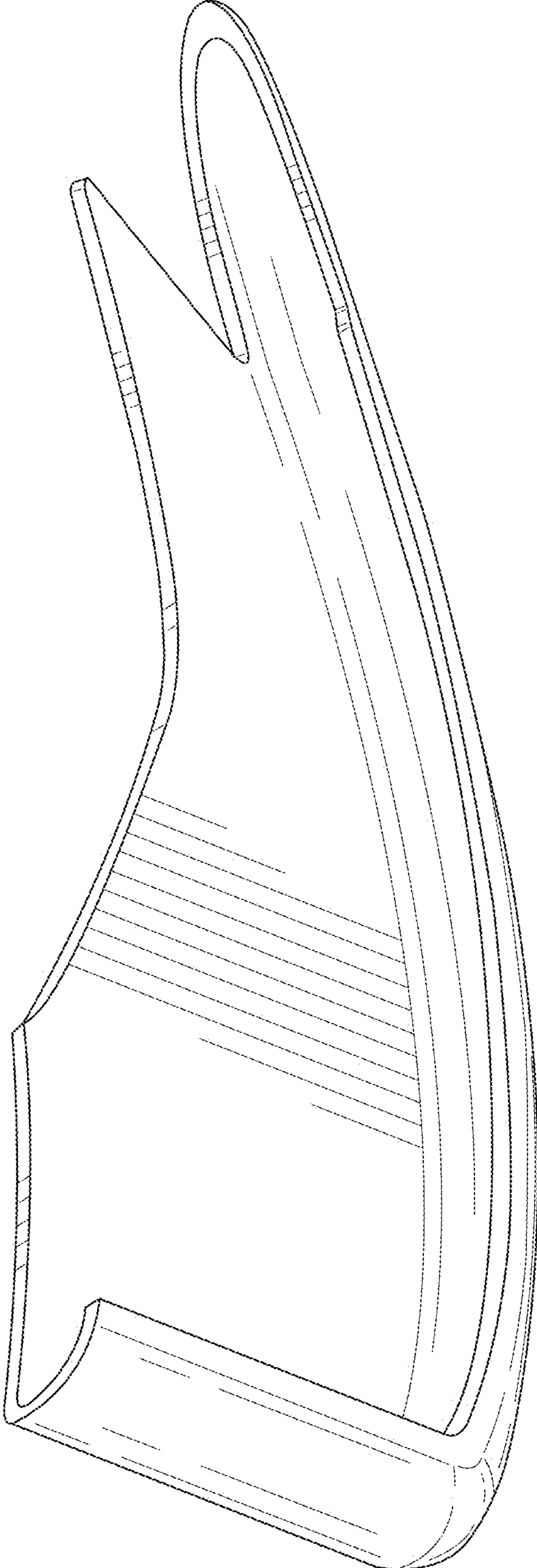


FIG. 2

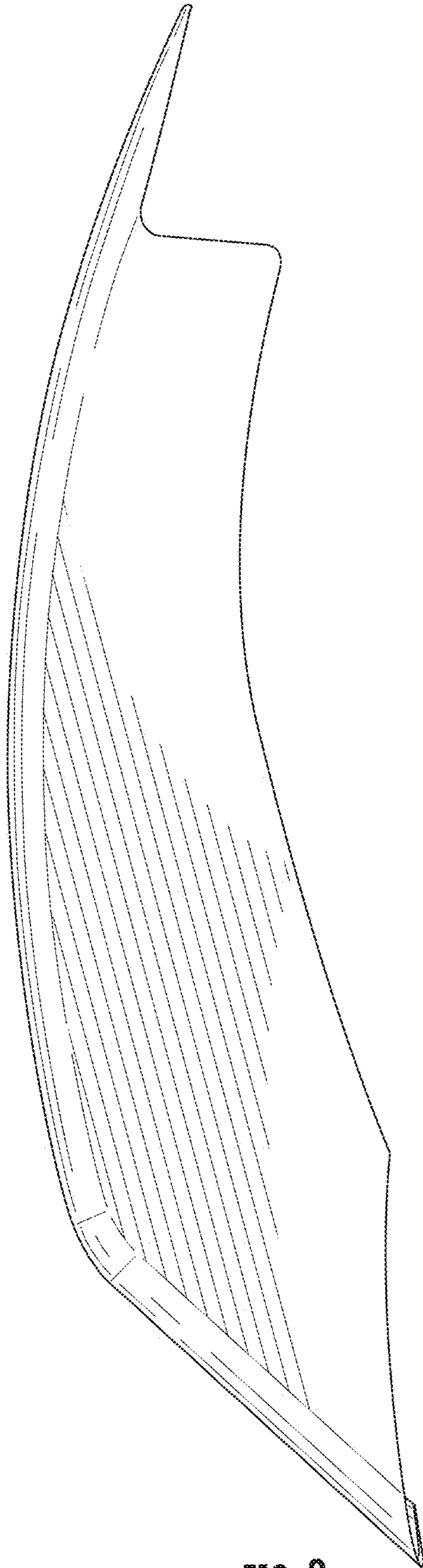


FIG. 3

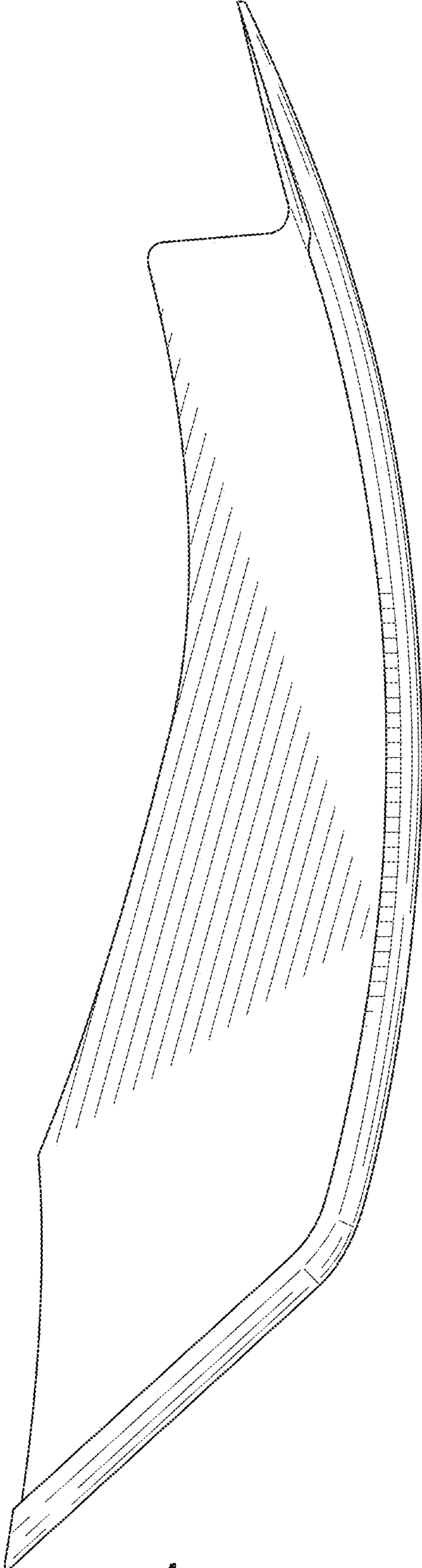


FIG. 4



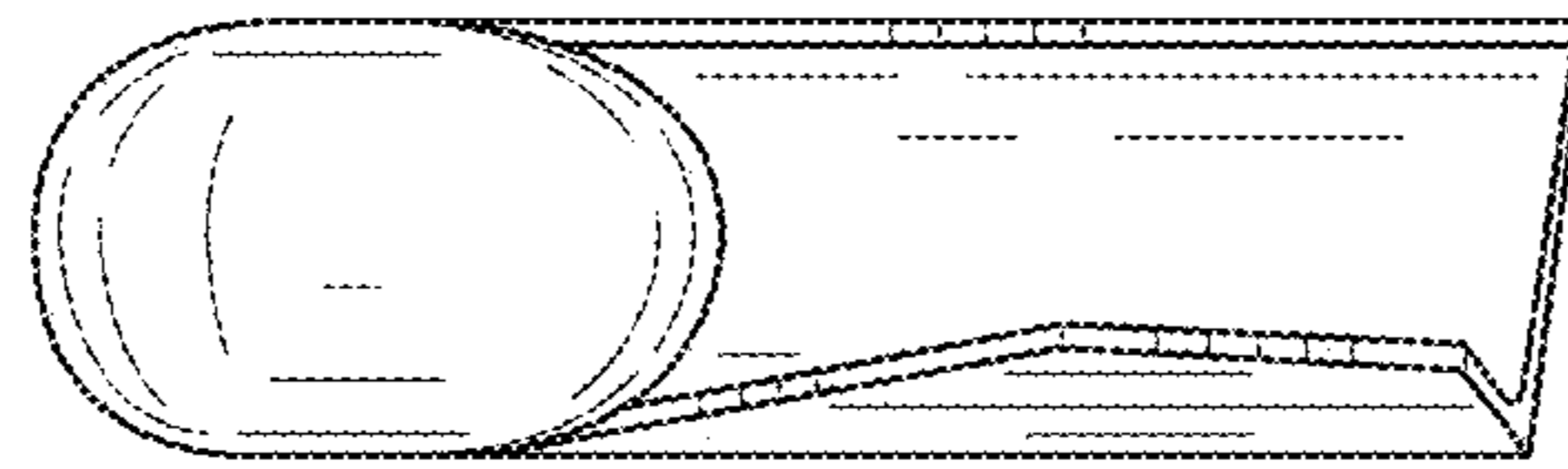


FIG. 5

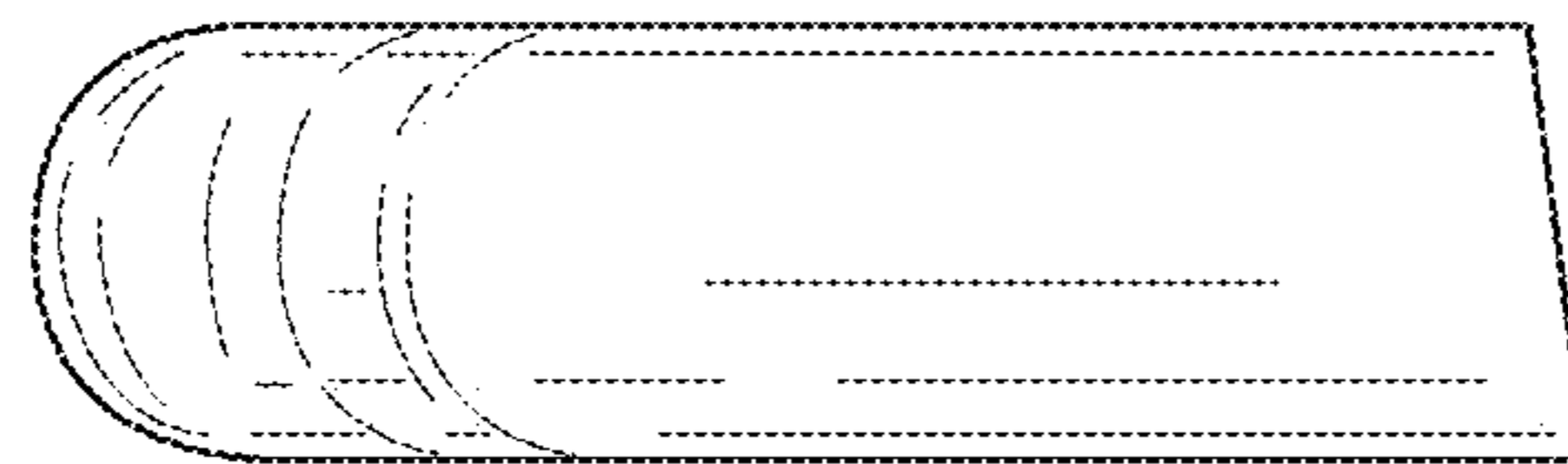


FIG. 6

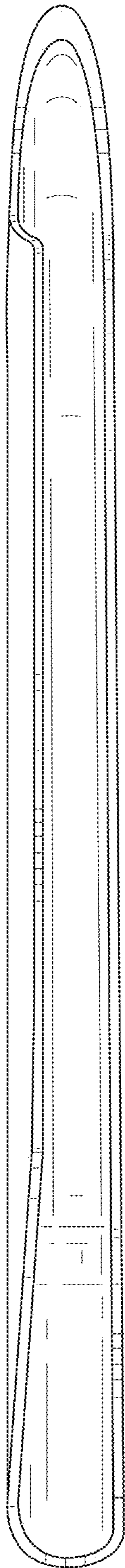


FIG. 7

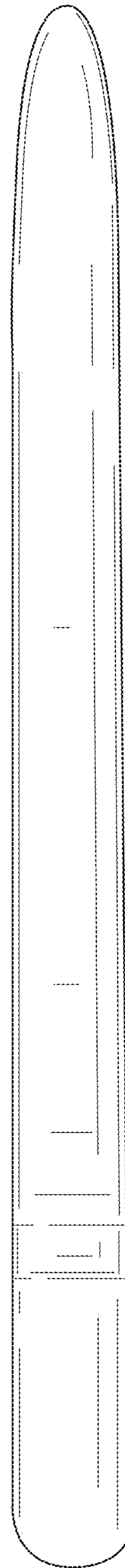


FIG. 8

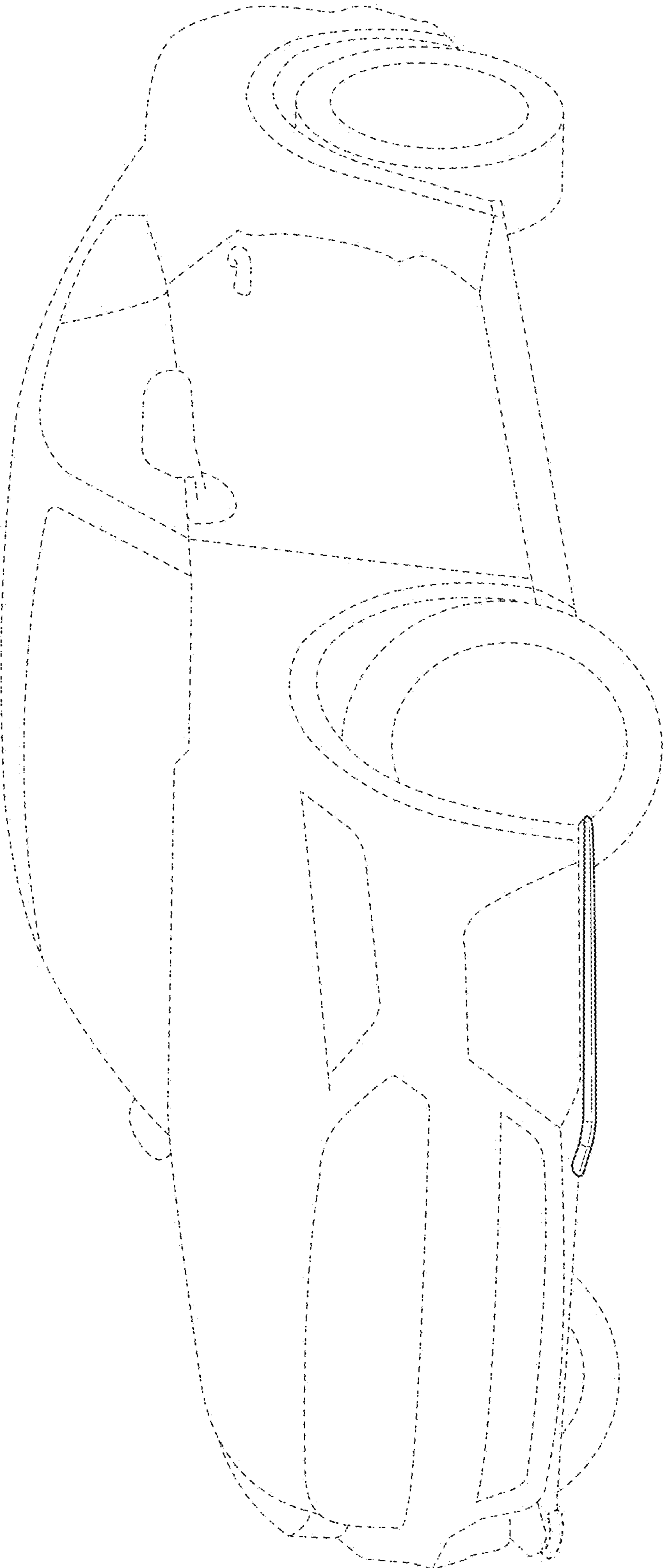


FIG. 9