



US00D896711S

(12) **United States Design Patent** (10) **Patent No.:** **US D896,711 S**
Scott (45) **Date of Patent:** **** *Sep. 22, 2020**

(54) **SET OF VEHICLE DOOR SILL SCRATCH GUARDS**

(74) *Attorney, Agent, or Firm* — Gardner, Linn, Burkhart & Ondersma LLP

(71) Applicant: **L.O.F., Inc.**, Elkhart, IN (US)

(57) **CLAIM**

(72) Inventor: **Shawn C. Scott**, Greenwood, IN (US)

The ornamental design for the set of vehicle door sill scratch guards, as shown and described.

(73) Assignee: **L.O.F., Inc.**, Elkhart, IN (US)

DESCRIPTION

(*) Notice: This patent is subject to a terminal disclaimer.

FIG. 1 is a perspective view of a set of vehicle door sill scratch guards, showing a first embodiment of the design in an environment of use affixed to the front and rear driver side door sills of a vehicle;

(**) Term: **15 Years**

FIG. 2 is a top perspective view of the set of vehicle door sill scratch guards of FIG. 1;

(21) Appl. No.: **29/596,969**

FIG. 3 is a top plan view of the set of vehicle door sill scratch guards of FIG. 1;

(22) Filed: **Mar. 13, 2017**

FIG. 4 is a bottom plan view of the set of vehicle door sill scratch guards of FIG. 1;

(51) **LOC (12) Cl.** **12-16**

FIG. 5 is a side elevation view of the set of vehicle door sill scratch guards of FIG. 1;

(52) **U.S. Cl.**

USPC **D12/167; D12/193; D12/401**

FIG. 6 is an end elevation view of the set of vehicle door sill scratch guards of FIG. 1;

(58) **Field of Classification Search**

USPC D12/86, 90, 91, 92, 110, 114, 163, 169, D12/171, 190, 400, 401, 193, 167;

(Continued)

FIG. 7 is a perspective view of the of the set of vehicle door sill scratch guards, showing a second embodiment of the design in an environment of use affixed to the front and rear passenger side door sills of a vehicle;

(56) **References Cited**

U.S. PATENT DOCUMENTS

4,456,275 A 6/1984 Snyder
D279,468 S 7/1985 Marrinan

(Continued)

FIG. 8 is a top perspective view of the set of vehicle door sill scratch guards of FIG. 7;

OTHER PUBLICATIONS

Commonly assigned co-pending U.S. Appl. No. 29/596,964, filed Mar. 13, 2017, entitled Vehicle Door Sill Scratch Guard Appliques.

(Continued)

FIG. 9 is a top plan view of the set of vehicle door sill scratch guards of FIG. 7;

FIG. 10 is a bottom plan view of the set of vehicle door sill scratch guards of FIG. 7;

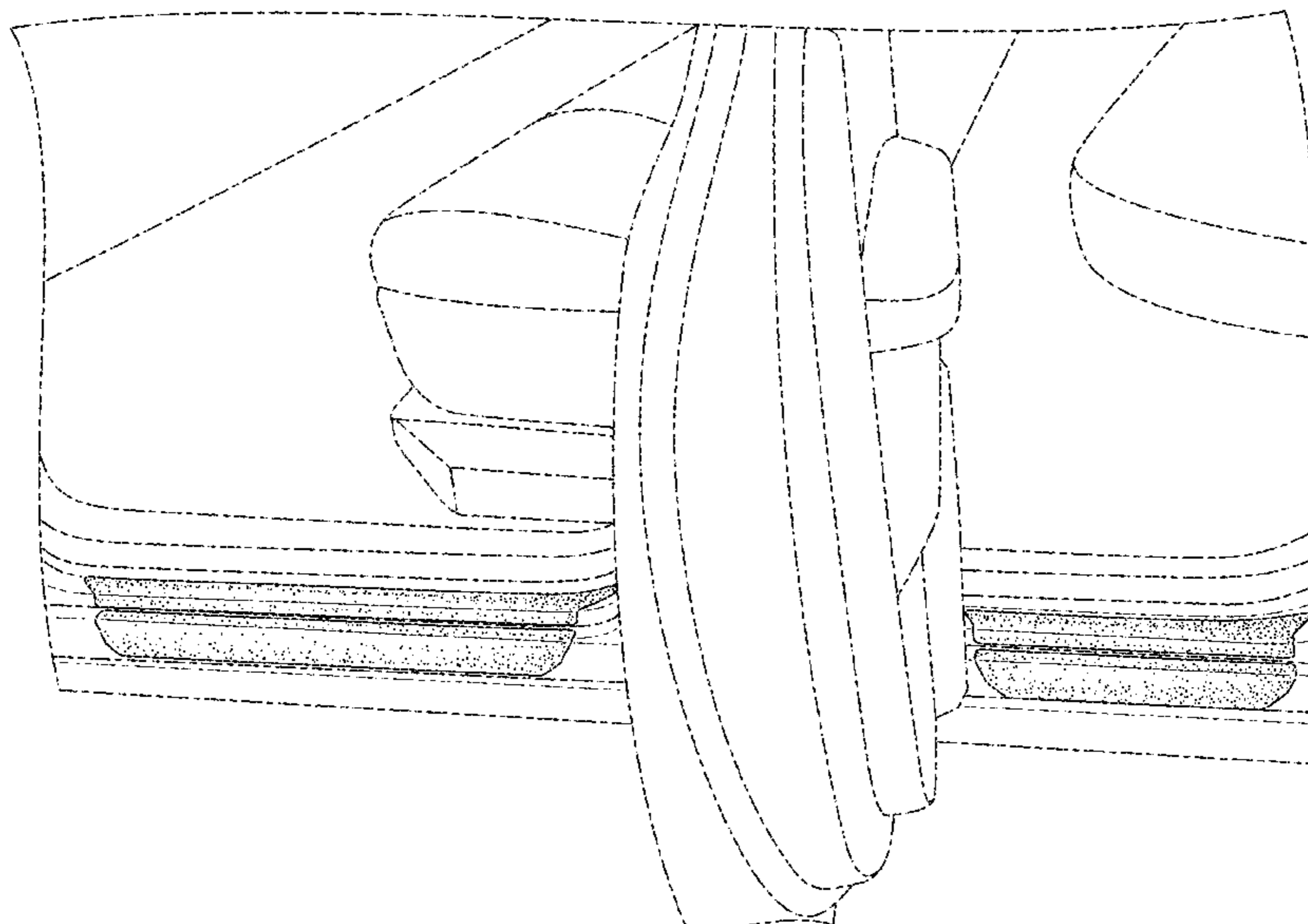
FIG. 11 is a side elevation view of the set of vehicle door sill scratch guards of FIG. 7; and,

FIG. 12 is an end elevation view of the set of vehicle door sill scratch guards of FIG. 7.

The broken lines illustrate environmental structure that forms no part of the claimed design.

Primary Examiner — Philip S Hyder
Assistant Examiner — Jerry Shiuan-Hua Hsu

1 Claim, 12 Drawing Sheets



(58) **Field of Classification Search**

USPC D11/11, 81, 133, 157, 172, 211; D20/23,
D20/24, 25, 30, 31, 32
CPC ... G09F 7/00; G09F 7/02; G06K 9/325; B60P
3/36; B60R 13/04; B60R 13/10; B60R
13/105; B60R 19/44; B60Q 1/56; B60Q
1/323; B60K 35/00

See application file for complete search history.

(56) **References Cited**

U.S. PATENT DOCUMENTS

4,796,935	A	1/1989	Maraia	
D318,642	S	7/1991	Gaither	
5,267,763	A	12/1993	Klein	
D399,465	S	10/1998	Saleen	
D413,561	S	9/1999	Kulla	
D418,468	S	1/2000	Saleen	
D464,596	S	10/2002	Yokomaku	
D468,671	S	1/2003	Tampi	
D539,200	S	3/2007	Chan	
D599,264	S	9/2009	Akasawa	
D600,184	S	9/2009	Baum	
D606,472	S	12/2009	Penders	
D607,391	S	1/2010	Krauss	
D608,261	S	1/2010	Furuhata	
D623,104	S	9/2010	Akasawa	
D630,143	S	1/2011	Stahel	
D636,312	S	4/2011	Matei	
D637,127	S	5/2011	Faghihzadeh	
D647,018	S	10/2011	Furst	
D647,833	S	11/2011	Matei	
8,641,135	B2	2/2014	Palmer	
D709,419	S	7/2014	Watkins	
9,162,625	B2*	10/2015	Watanabe B60R 13/04
D748,549	S	2/2016	Battams	
D761,175	S	7/2016	Stoynov	
9,493,190	B1	11/2016	Alwan	
D788,665	S	6/2017	Buck	
D791,032	S	7/2017	Henstridge	
D807,247	S	1/2018	Malina	
9,862,309	B2	1/2018	Oliverio	
D811,301	S	2/2018	Peat	
D828,245	S*	9/2018	Scott D12/167
D828,792	S*	9/2018	Scott D12/167
D828,793	S*	9/2018	Scott D12/167
D828,794	S*	9/2018	Scott D12/167
D828,795	S*	9/2018	Scott D12/167
2012/0169024	A1	7/2012	Verhee	
2015/0046027	A1*	2/2015	Sura B60K 35/00 701/36

OTHER PUBLICATIONS

Commonly assigned co-pending U.S. Appl. No. 29/596,966, filed Mar. 13, 2017, entitled Vehichle Door Sill Scratch Guard Appliques.
Commonly assigned co-pending U.S. Appl. No. 29/596,967, filed Mar. 13, 2017, entitled Vehichle Door Sill Scratch Guard Appliques.
Commonly assigned co-pending U.S. Appl. No. 29/596,968, filed Mar. 13, 2017, entitled Vehichle Door Sill Scratch Guard Appliques.
Commonly assigned co-pending U.S. Appl. No. 29/596,971, filed Mar. 13, 2017, entitled Vehichle Door Sill Scratch Guard Appliques.
Web pages from Amazon (www.amazon.com) showing Red Hound Auto Scratch Guards Part No. RED170001, published and available since Dec. 30, 2015.
Web pages from Amazon (www.amazon.com) showing Red Hound Auto Scratch Guards Part No. RED170007, published and available since Feb. 25, 2016.
Web pages from Amazon (www.amazon.com) showing Red Hound Auto Scratch Guards Part No. RED170016, published and available since Feb. 23, 2016.
Web pages from Amazon (www.amazon.com) showing Red Hound Auto Scratch Guards Part No. RED170022, published and available since Feb. 25, 2016.
Web pages from Amazon (www.amazon.com) showing Red Hound Auto Scratch Guards Part No. RED170050, published and available since Feb. 25, 2016.
Web pages from Amazon (www.amazon.com) showing Red Hound Auto Scratch Guards Part No. RED170081, published and available since Feb. 25, 2016.
Web pags from Amazon (www.amazon.com) showing Red Hound Auto Scratch Guards Part No. RED170089, published and available since Mar. 4, 2016.
Web pages from Amazon (www.amazon.com) showing Red Hound Auto Scratch Guards Part No. RED170092, published and available since Mar. 4, 2016.
Web pages from Amazon (www.amazon.com) showing Toyota Tacoma Door Sill Protectors believed to be available since Nov. 13, 2015.
Web pages from Amazon (www.amazon.com) showing Toyota Accessories Door Sill Protector believed to be available since Jun. 29, 2011.
Web pages from Ebay (www.ebay.com) showing Ford Door Sill Plate Protectors, date of first publication unknown.
Web pages from Lund International (www.lundinternational.com) showing AVS Stepshield, date of first publication unknown.
Web pages from Ebay (www.ebay.com) showing OEM Ford Explorer Rear Bumper Protector, date of first publication unknown.
Web pages from Xpel (www.xpel.com) showing Universal Door Sill Kit, date of first publication unknown.

* cited by examiner

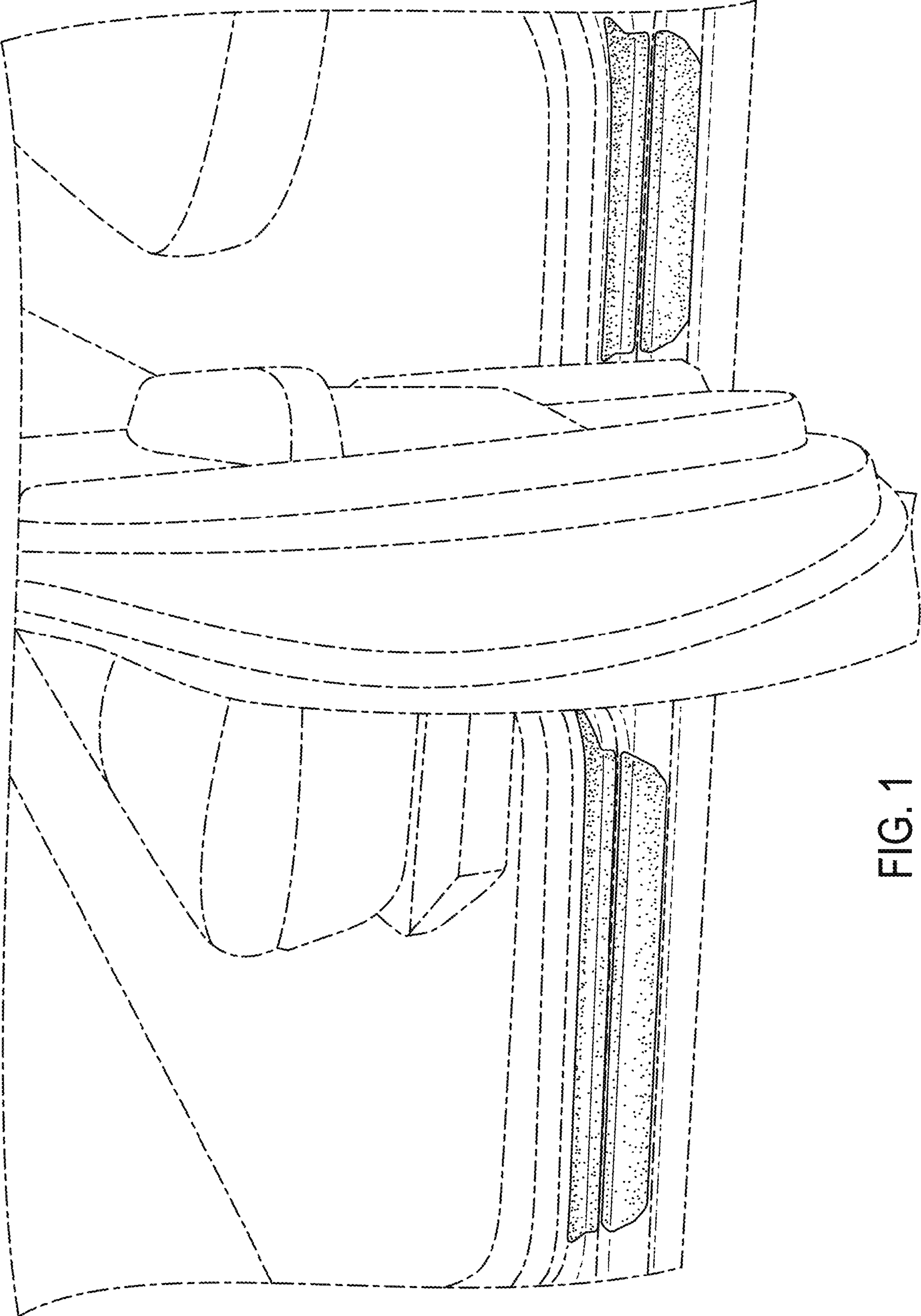


FIG. 1

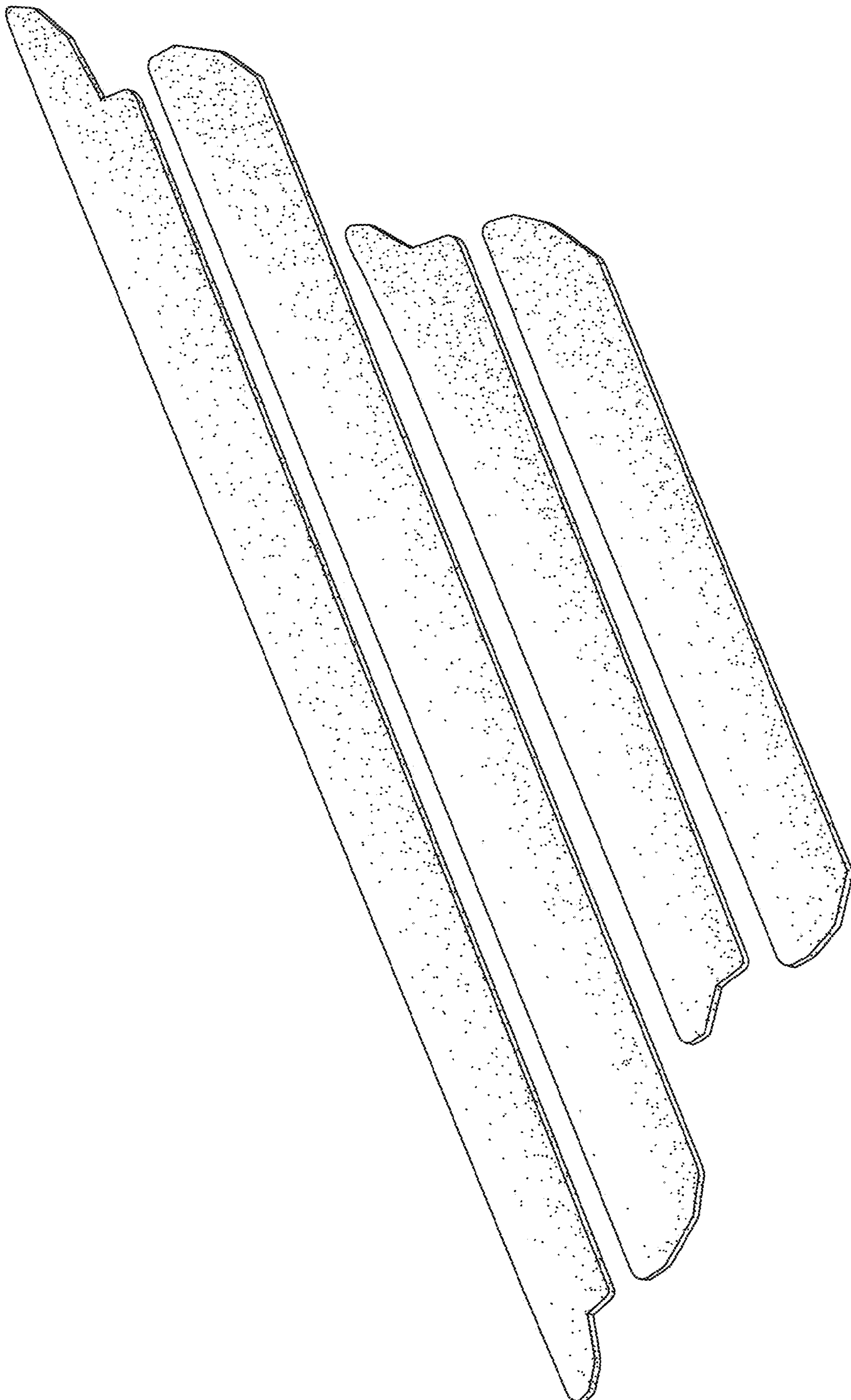


FIG. 2

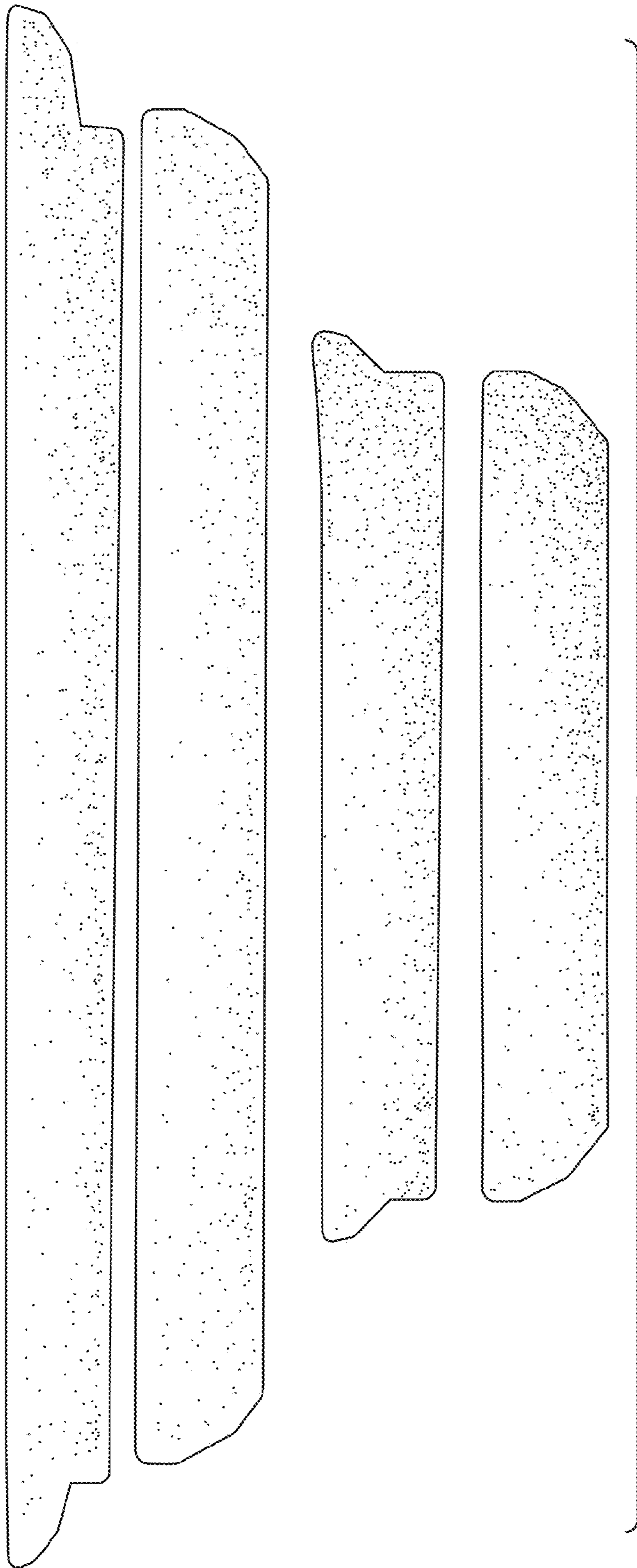


FIG. 3

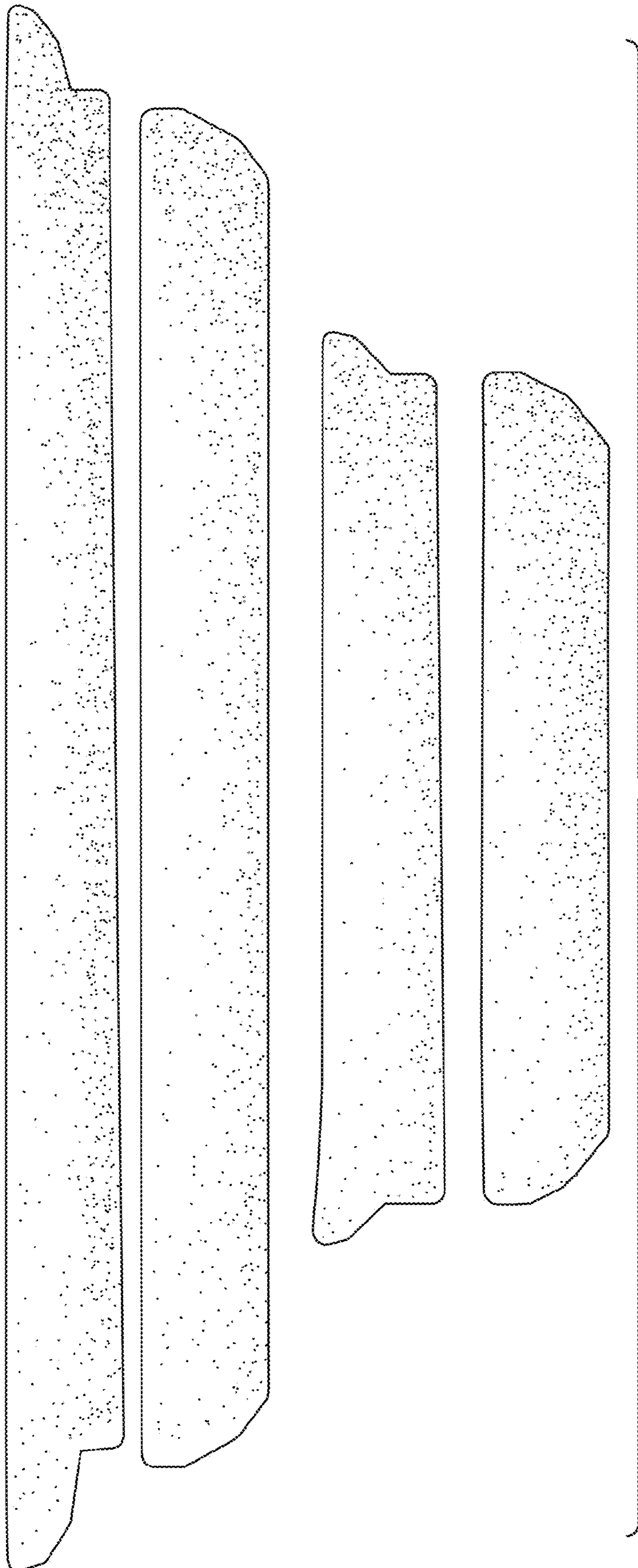


FIG. 4

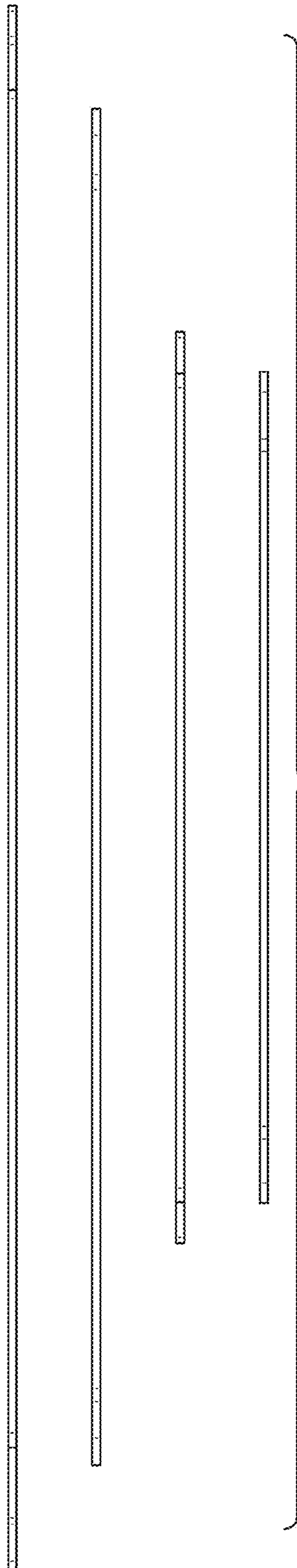


FIG. 5



FIG. 6

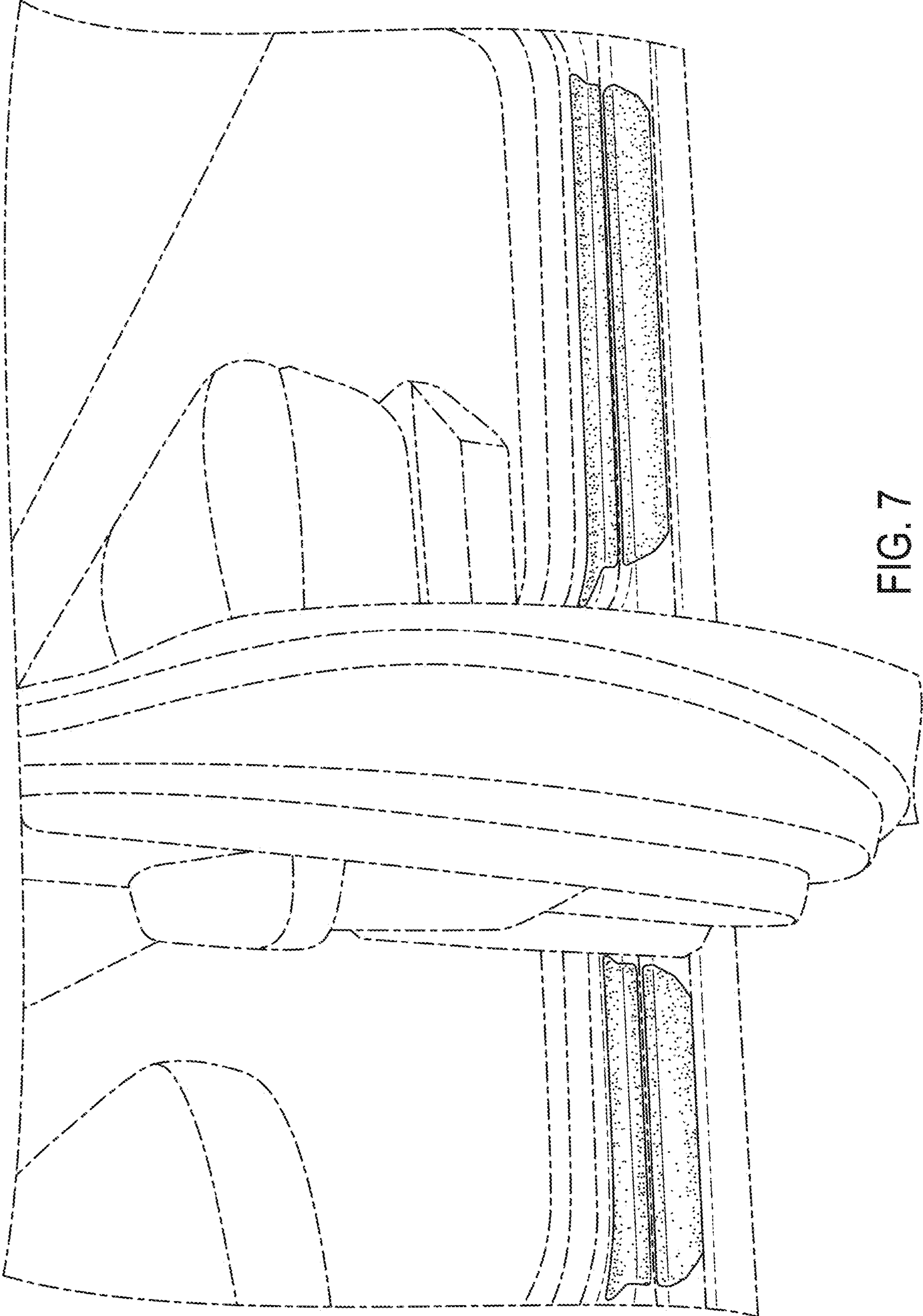


FIG. 7

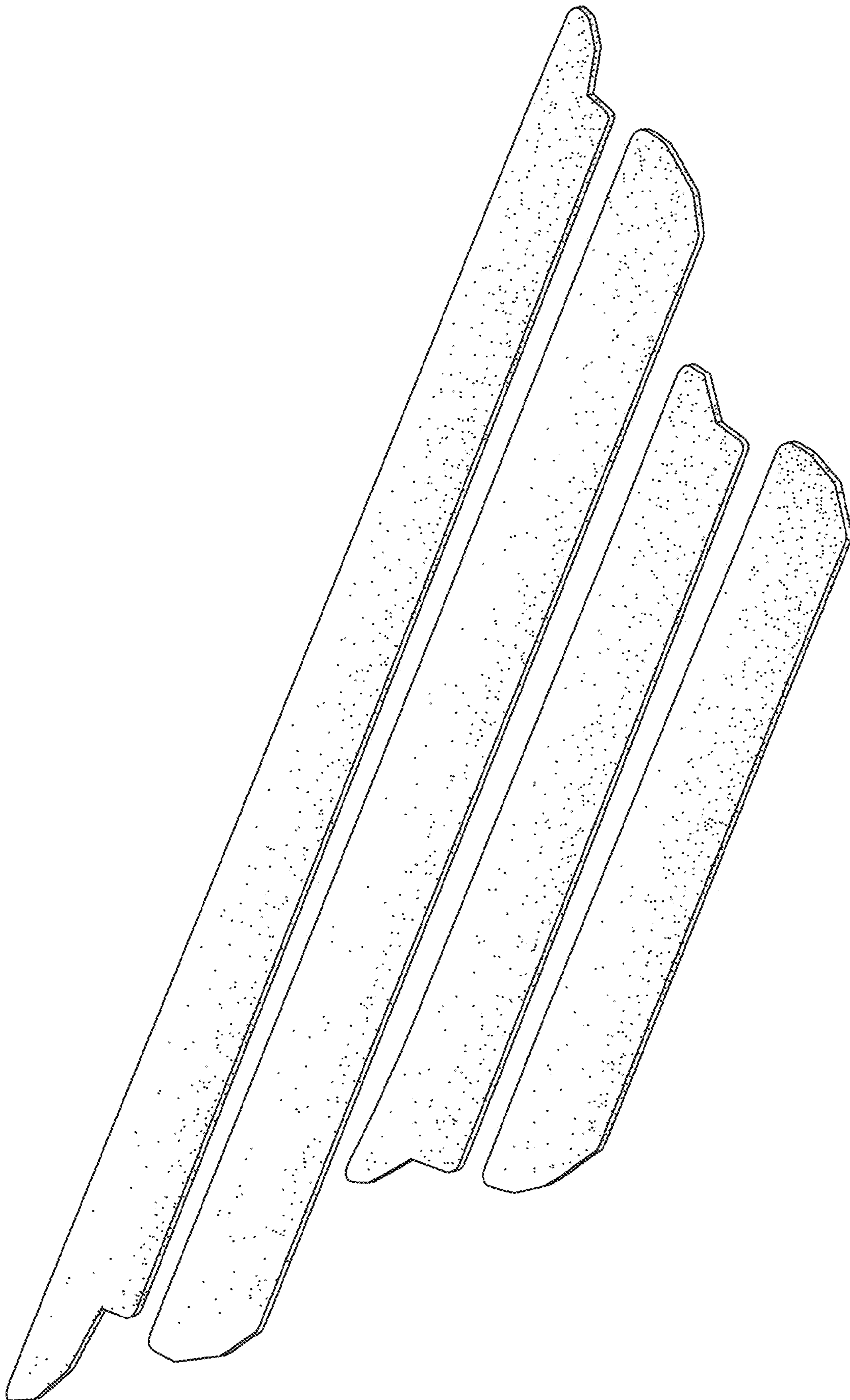


FIG. 8

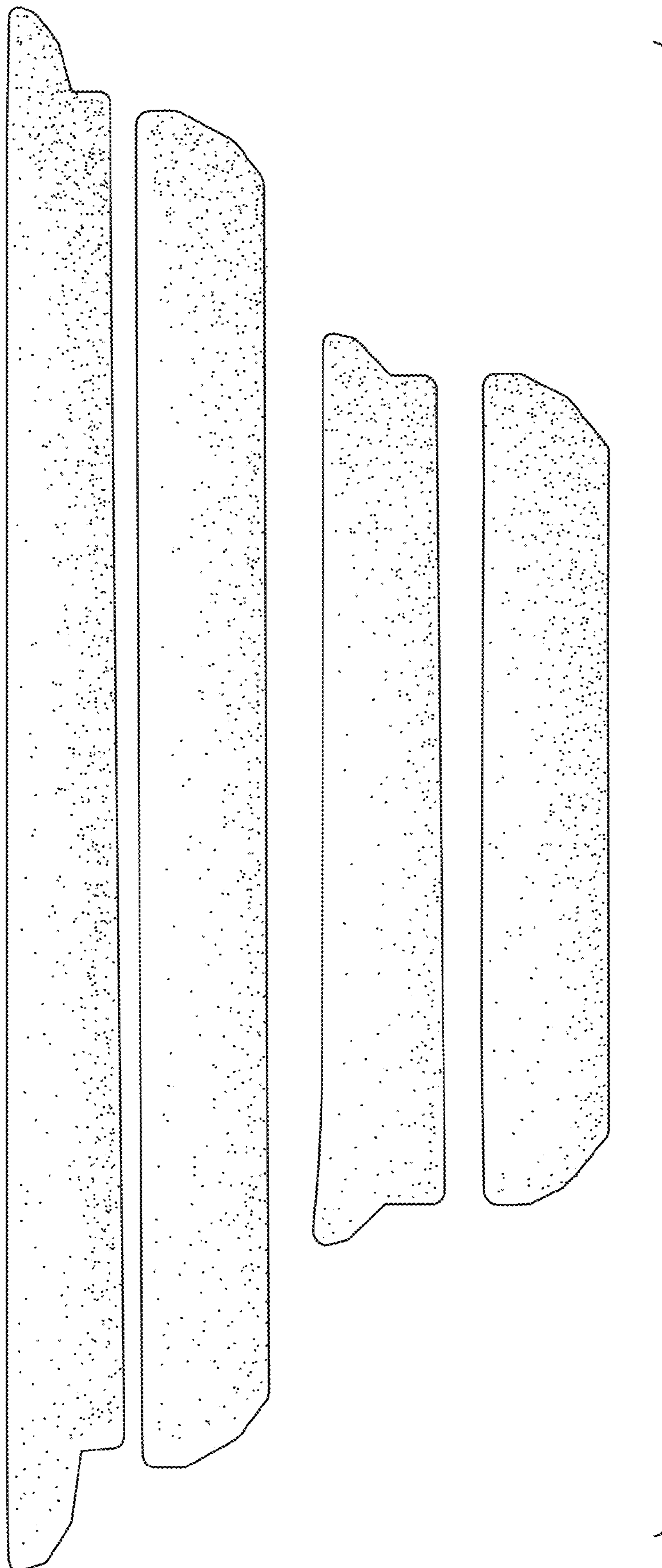


FIG. 9

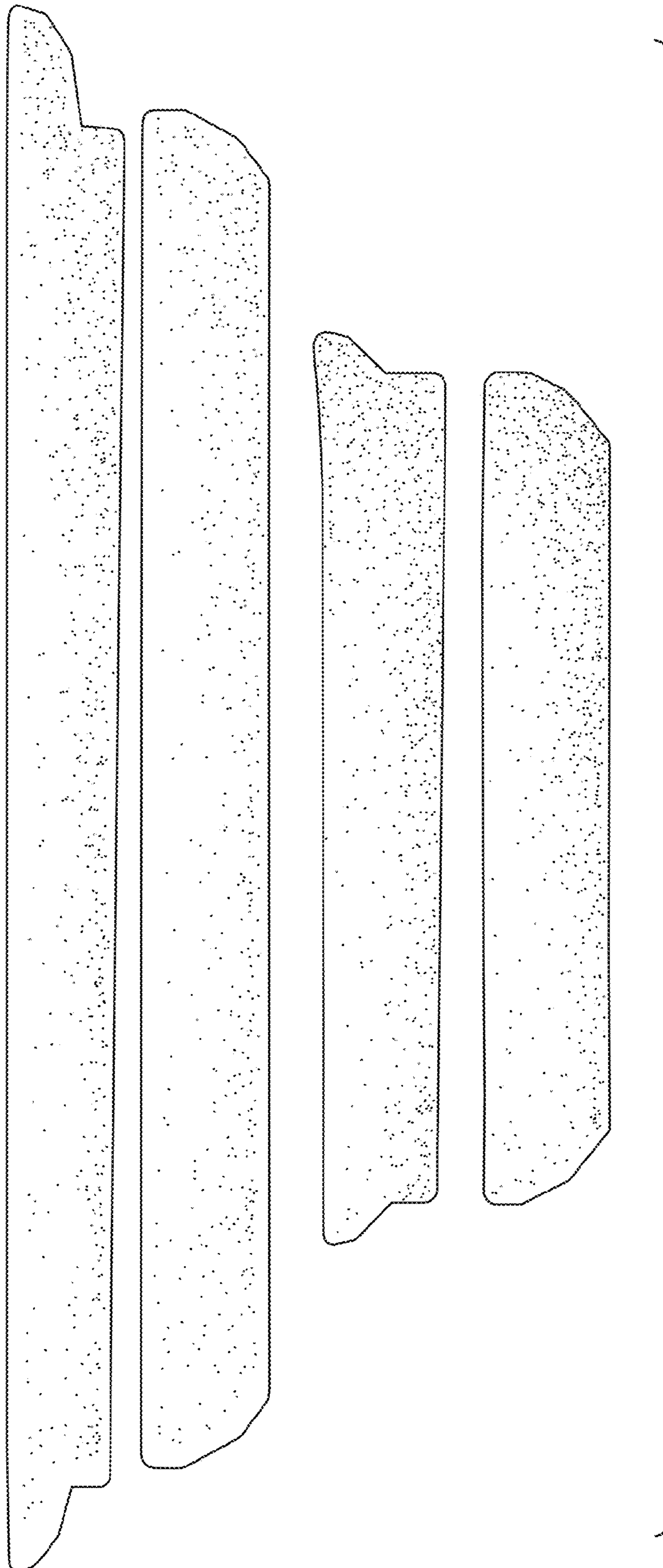


FIG. 10

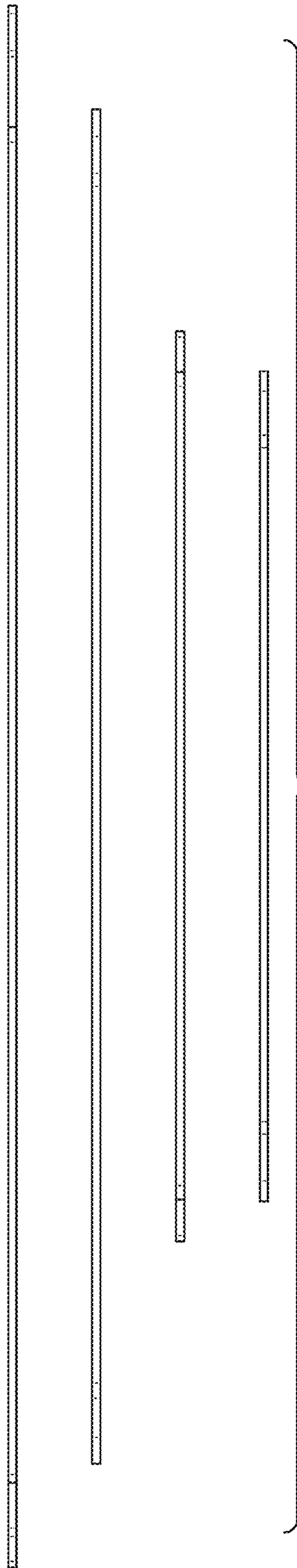


FIG. 11



FIG. 12