



US00D896708S

(12) **United States Design Patent**  
**Lee**

(10) **Patent No.:** **US D896,708 S**

(45) **Date of Patent:** **\*\* Sep. 22, 2020**

(54) **SHOCK EXTENDER**

(71) Applicant: **Dillon Glenn Lee**, La Habra Heights,  
CA (US)

(72) Inventor: **Dillon Glenn Lee**, La Habra Heights,  
CA (US)

(73) Assignee: **Dillon Glenn Lee**, La Habra Heights,  
CA (US)

(\*\*) Term: **15 Years**

(21) Appl. No.: **29/687,515**

(22) Filed: **Apr. 12, 2019**

(51) **LOC (12) Cl.** ..... **12-16**

(52) **U.S. Cl.**  
USPC ..... **D12/159**

(58) **Field of Classification Search**  
USPC ..... D12/159; D8/396  
CPC ..... B60G 2206/911; B60G 2500/30; F16F  
2230/0005; F16F 9/54  
See application file for complete search history.

(56) **References Cited**

**U.S. PATENT DOCUMENTS**

D631,336 S	*	1/2011	Toumei	.....	D8/397
D696,574 S	*	12/2013	Caterinacci	.....	D8/382
D762,111 S	*	7/2016	Pittman	.....	D8/397
D801,797 S	*	11/2017	Powers	.....	D8/394
D836,976 S	*	1/2019	Reese	.....	D7/396.2

2009/0173033	A1*	7/2009	Baxter, Jr.	.....	A63J 1/00 52/646
2013/0185895	A1*	7/2013	Daniel	.....	F41C 23/10 16/2.1
2016/0159184	A1*	6/2016	Evans	.....	F16F 9/19 188/280
2017/0197556	A1*	7/2017	Bonenberger	.....	B60R 9/08
2019/0093732	A1*	3/2019	Verbowski	.....	B60G 13/003

\* cited by examiner

*Primary Examiner* — Michael A. Pratt

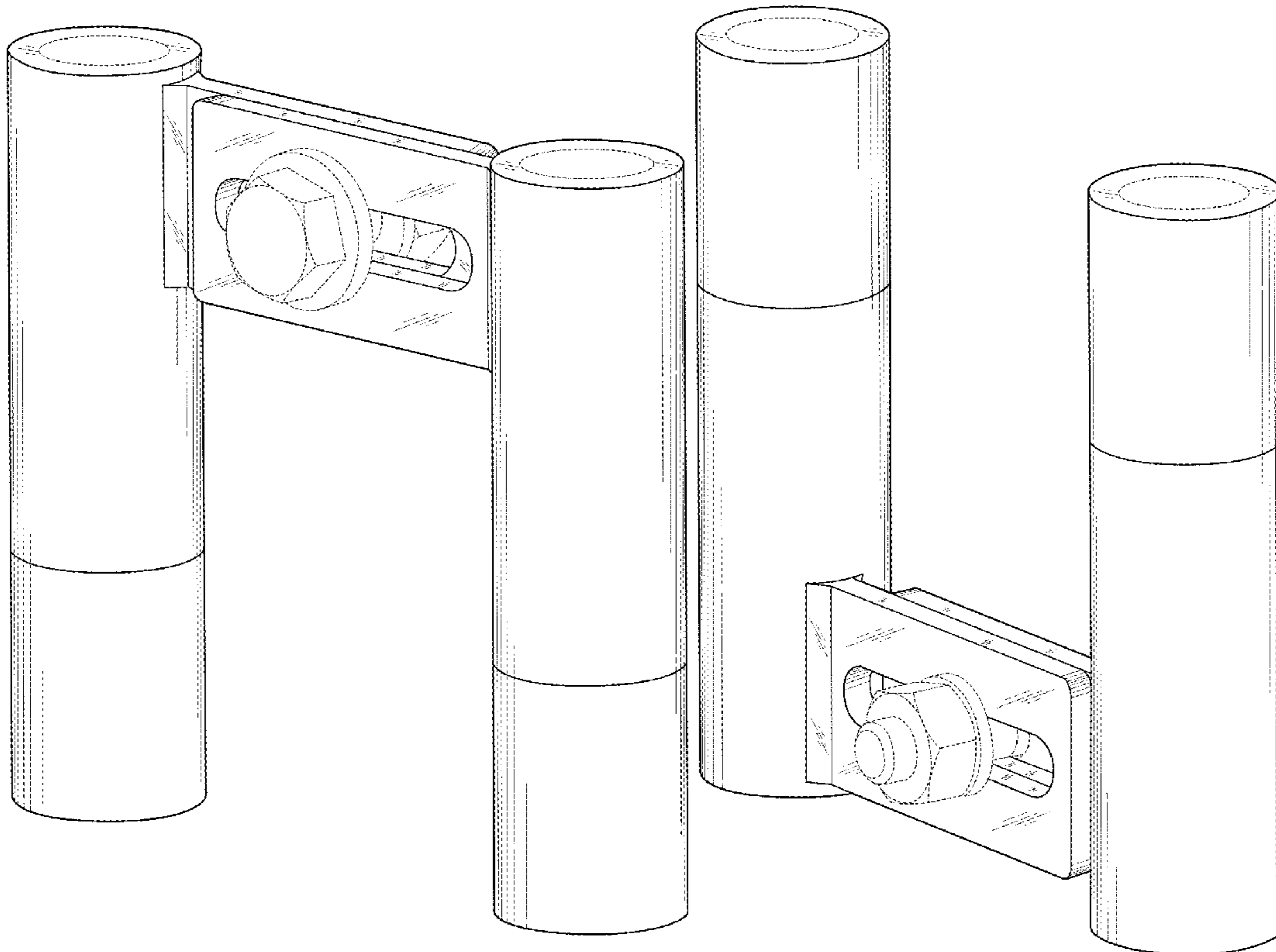
(57) **CLAIM**

The ornamental design for a shock extender, as shown and described.

**DESCRIPTION**

FIG. 1 is front perspective view of a shock extender.  
FIG. 2 is rear perspective view thereof.  
FIG. 3 is a front view thereof.  
FIG. 4 is a rear view thereof.  
FIG. 5 is a left view thereof.  
FIG. 6 is a right view thereof.  
FIG. 7 is a top plan view thereof.  
FIG. 8 is a bottom plan view thereof; and,  
FIG. 9 is an exploded front perspective view thereof.  
The broken lines showing the nut and bolt and threaded portions are for the purpose of illustrating unclaimed subject matter and form no part of the claimed design.

**1 Claim, 9 Drawing Sheets**



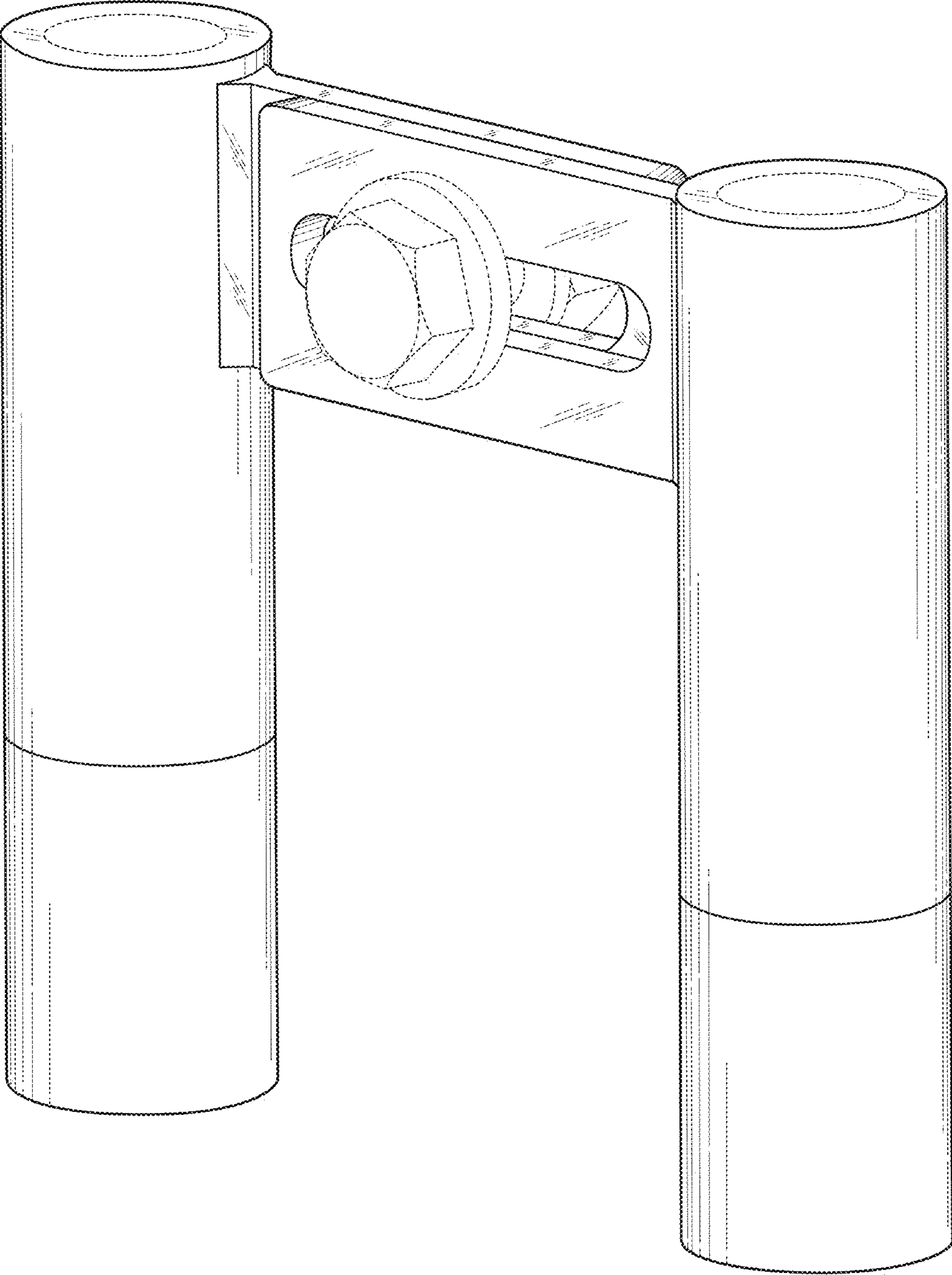


Fig. 1

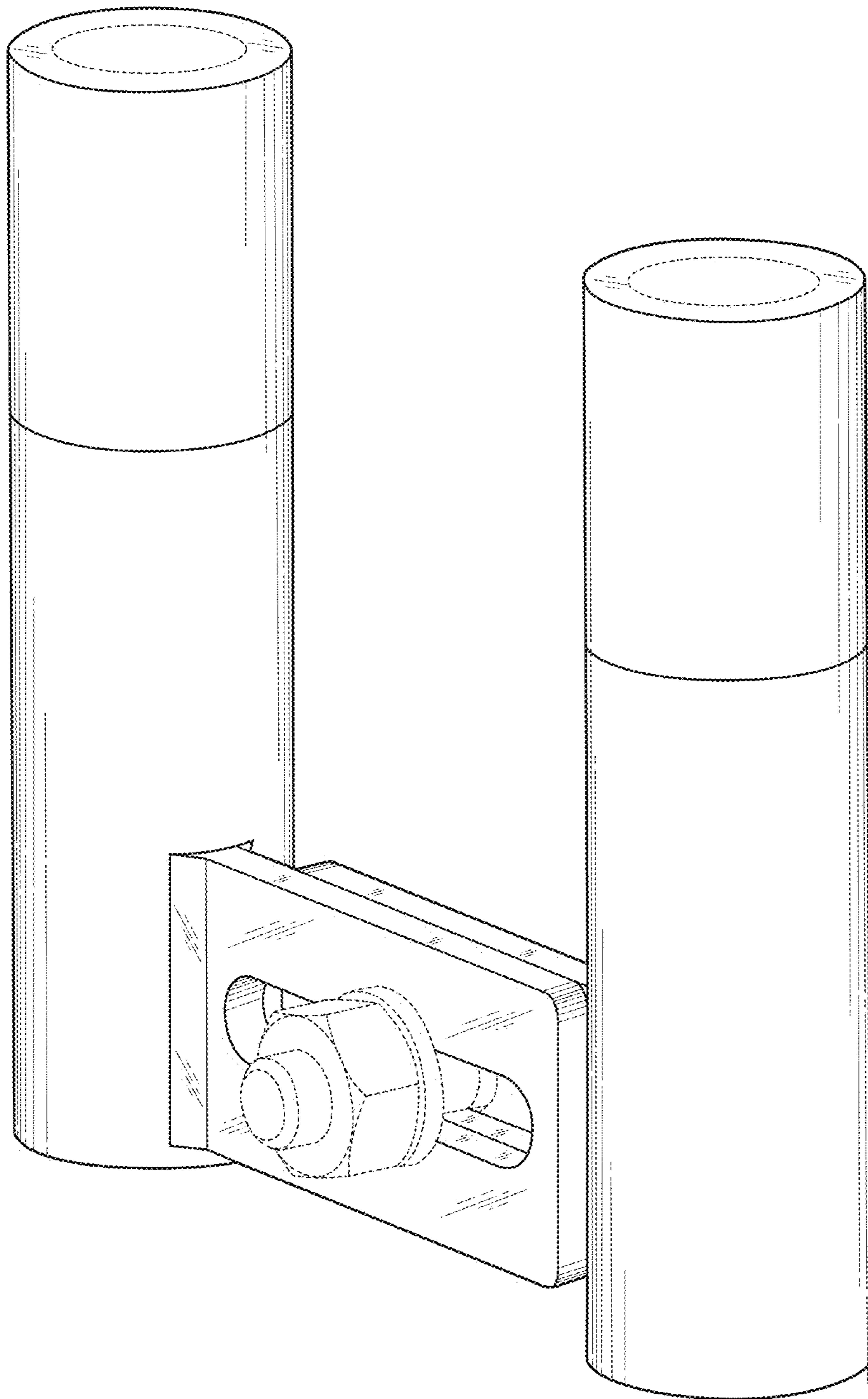


Fig.2

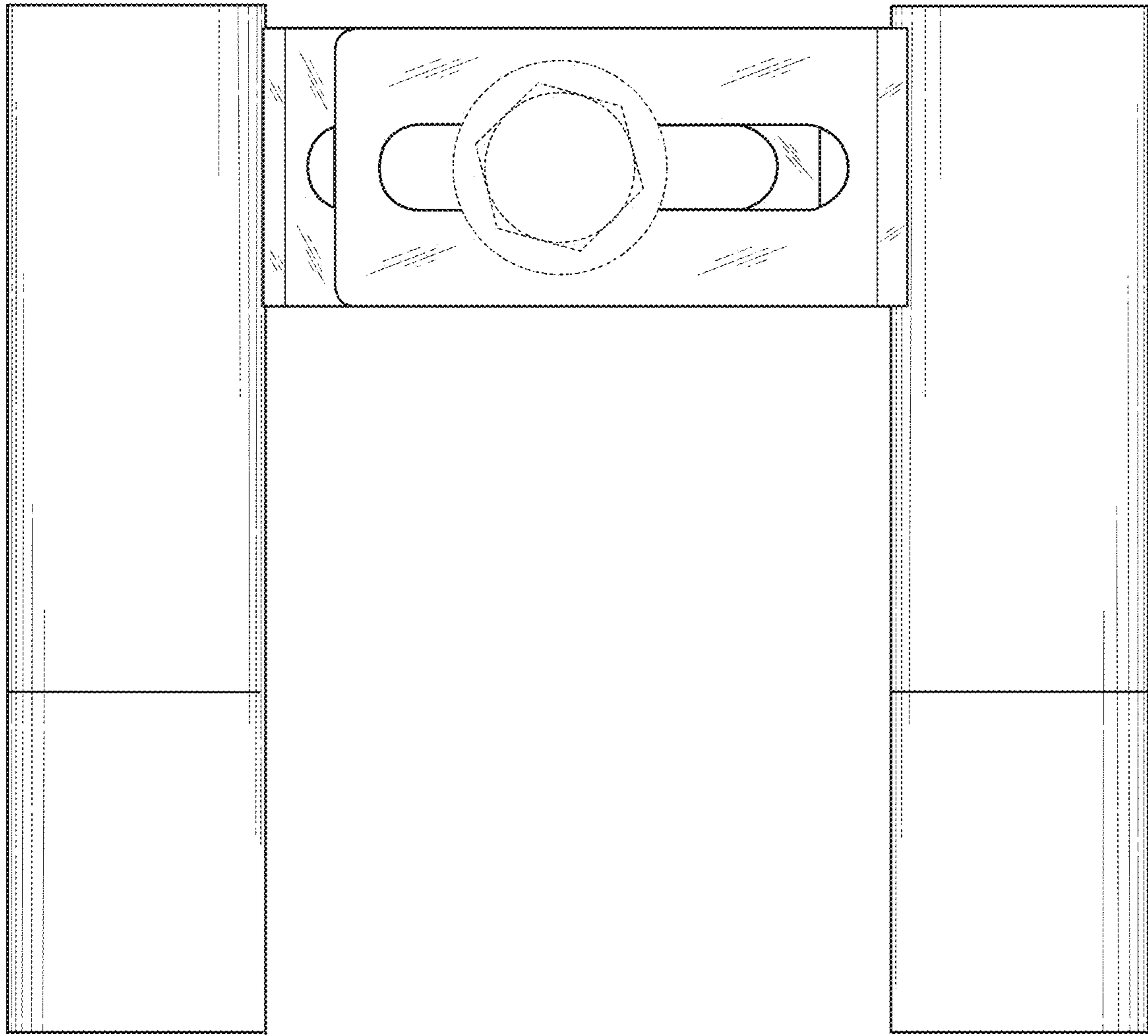


Fig.3

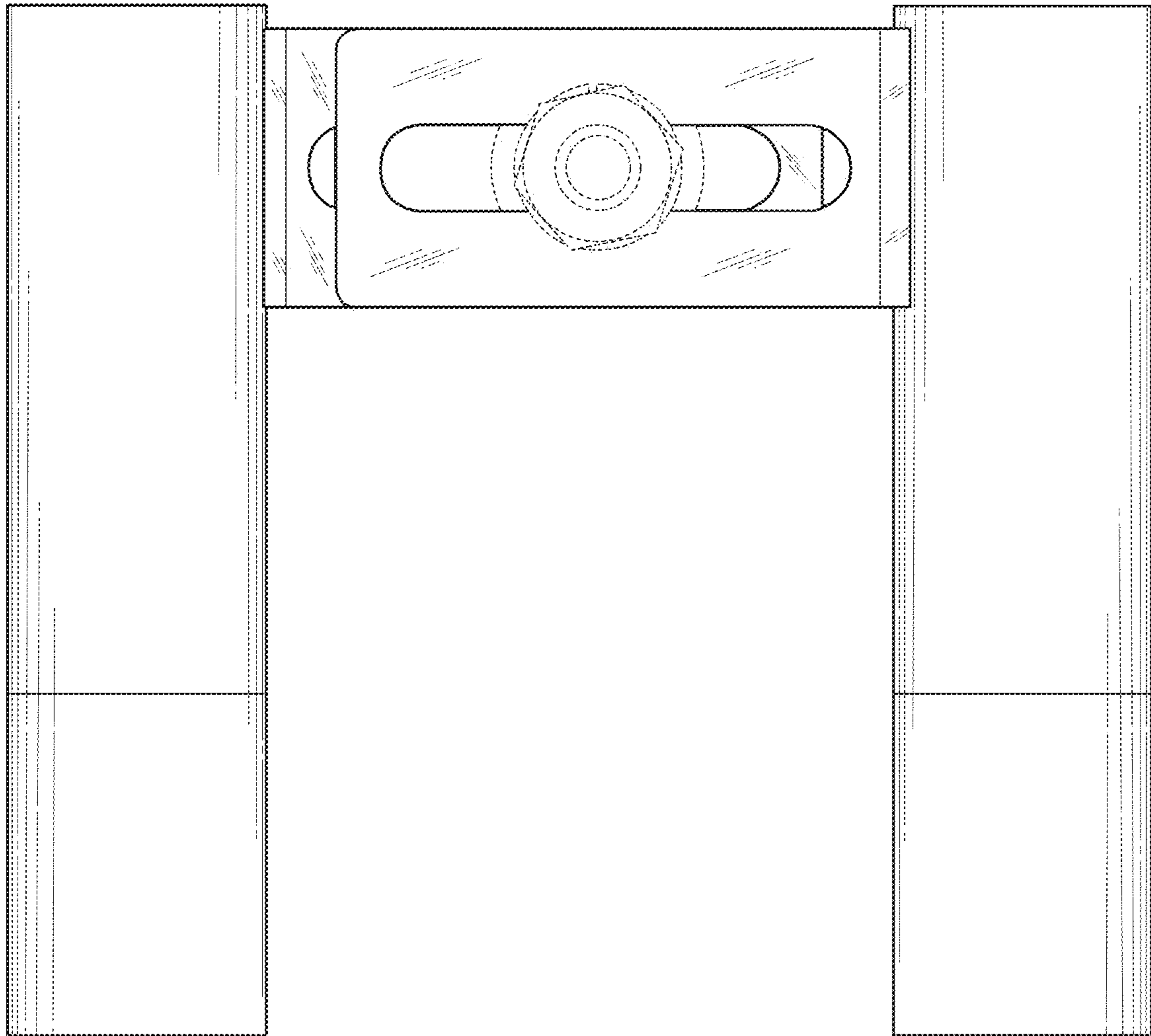


Fig.4

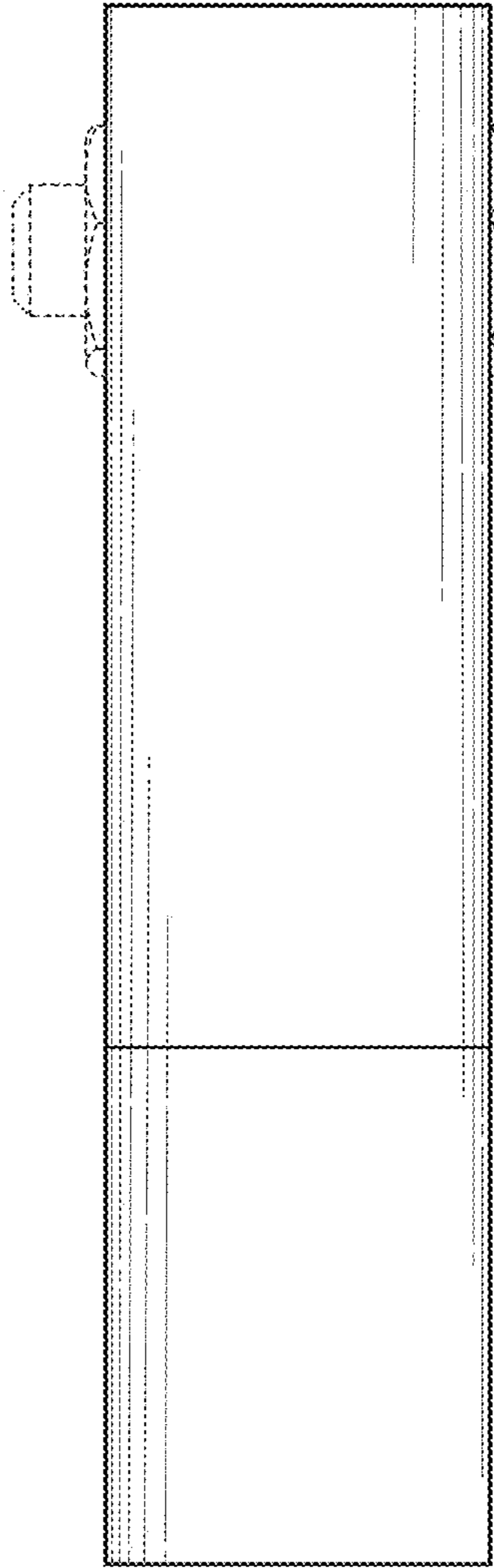


Fig.5

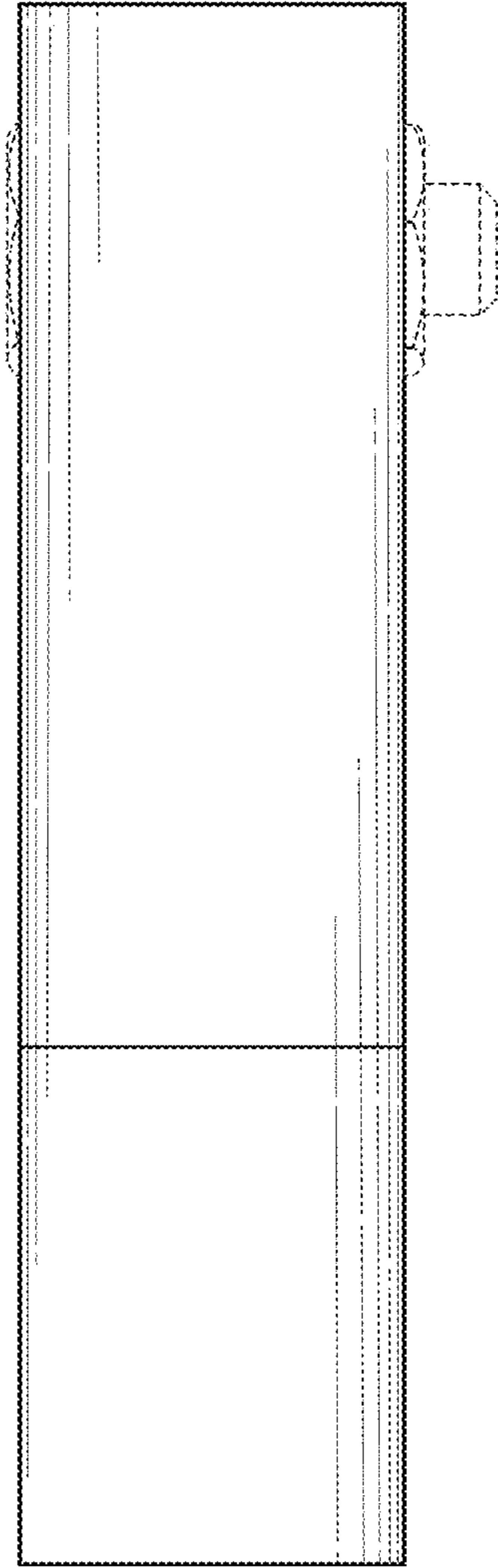


Fig.6

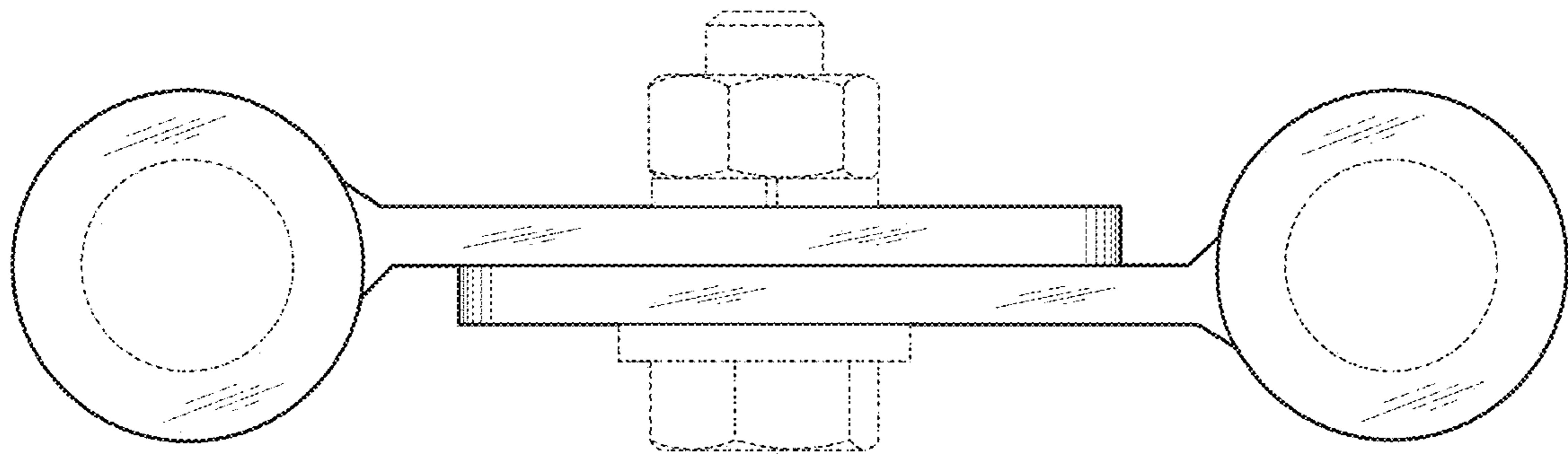


Fig. 7



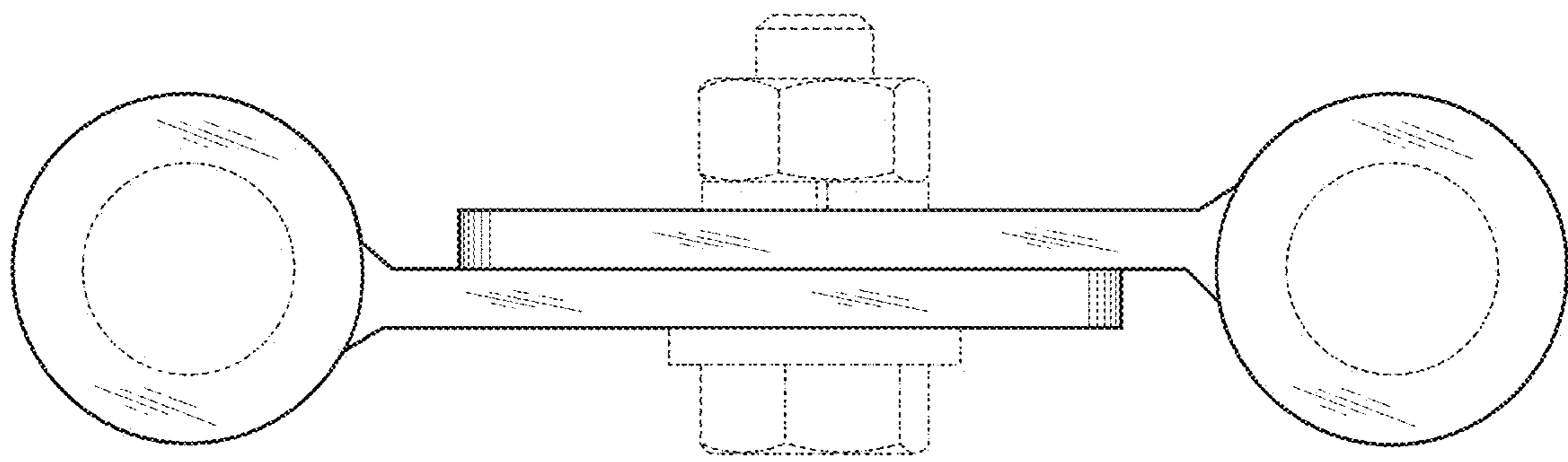


Fig.8

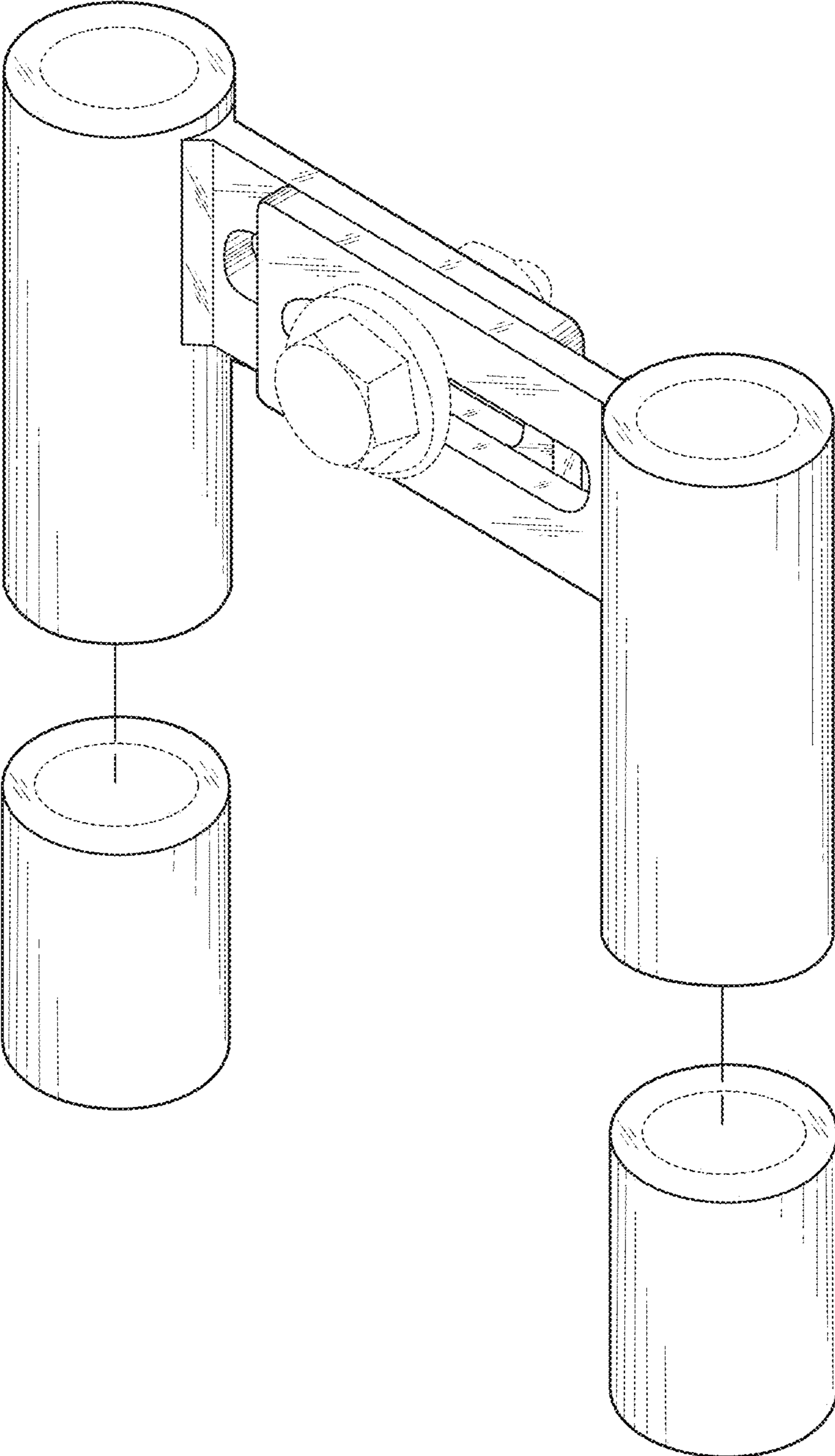


Fig.9