

US00D896706S

(12) **United States Design Patent**  
**Lai et al.**

(10) **Patent No.:** **US D896,706 S**

(45) **Date of Patent:** **\*\* Sep. 22, 2020**

(54) **ALL-TERRAIN VEHICLE**

(71) Applicant: **Zhejiang CFMOTO Power Co., Ltd.**,  
Hangzhou, Zhejiang (CN)

(72) Inventors: **Minjie Lai**, Zhejiang (CN); **Zhiyong Chen**, Zhejiang (CN); **Yixing Liao**, Zhejiang (CN); **Pan Yin**, Zhejiang (CN); **Yanwei Lai**, Zhejiang (CN); **Yonghua Tang**, Zhejiang (CN); **Qianjin Li**, Zhejiang (CN); **Weikang Mao**, Zhejiang (CN)

(73) Assignee: **Zhejiang CFMOTO Power Co., Ltd.**,  
Hangzhou, Zhejiang (CN)

(\*\*) Term: **15 Years**

(21) Appl. No.: **29/685,507**

(22) Filed: **Mar. 28, 2019**

(30) **Foreign Application Priority Data**

Nov. 21, 2018 (CN) ..... 2018 3 0663396

(51) **LOC (12) Cl.** ..... **12-11**

(52) **U.S. Cl.**  
USPC ..... **D12/107**

(58) **Field of Classification Search**  
USPC ..... D12/3, 86, 87, 107, 110  
CPC ..... B60K 5/12; B60K 13/04; B60K 17/354  
See application file for complete search history.

(56) **References Cited**

**U.S. PATENT DOCUMENTS**

D297,132 S \* 8/1988 Ryuzoji ..... D12/107  
D298,811 S \* 12/1988 Morita ..... D12/107  
D305,999 S \* 2/1990 Ueda ..... D12/107  
D374,416 S \* 10/1996 Miyamoto ..... D12/107  
D383,095 S \* 9/1997 Miyamoto ..... D12/107  
D405,029 S \* 2/1999 Deutschman ..... D12/107

D421,935 S \* 3/2000 Fujieda ..... D12/107  
D428,363 S \* 7/2000 Sugimoto ..... D12/107  
D429,663 S \* 8/2000 Tamashima ..... D12/107  
D436,559 S \* 1/2001 Fujieda ..... D12/107  
D480,991 S \* 10/2003 Rondeau ..... D12/107  
D492,916 S \* 7/2004 Rondeau ..... D12/107  
D493,750 S \* 8/2004 Crepeau ..... D12/107  
D496,308 S \* 9/2004 Wu ..... D12/107  
D511,717 S \* 11/2005 Lin ..... D12/107  
D513,718 S \* 1/2006 Itaya ..... D12/107  
D516,467 S \* 3/2006 Wu ..... D12/107  
D517,951 S \* 3/2006 Luh ..... D12/107  
D517,952 S \* 3/2006 Luh ..... D12/107  
D518,759 S \* 4/2006 Kettler ..... D12/107  
D520,912 S \* 5/2006 Knight ..... D12/107  
D520,914 S \* 5/2006 Luh ..... D12/107  
D522,924 S \* 6/2006 Yokoyama ..... D12/107

(Continued)

*Primary Examiner* — Darlington Ly

(74) *Attorney, Agent, or Firm* — Wolf, Greenfield & Sacks, P.C.

(57) **CLAIM**

The ornamental design for an all-terrain vehicle, as shown and described.

**DESCRIPTION**

FIG. 1 is a front elevation view of an all-terrain vehicle according to the present application, showing our new design;

FIG. 2 is a rear elevation view thereof;

FIG. 3 is a left side elevation view thereof;

FIG. 4 is a right side elevation view thereof;

FIG. 5 is a top plan view thereof;

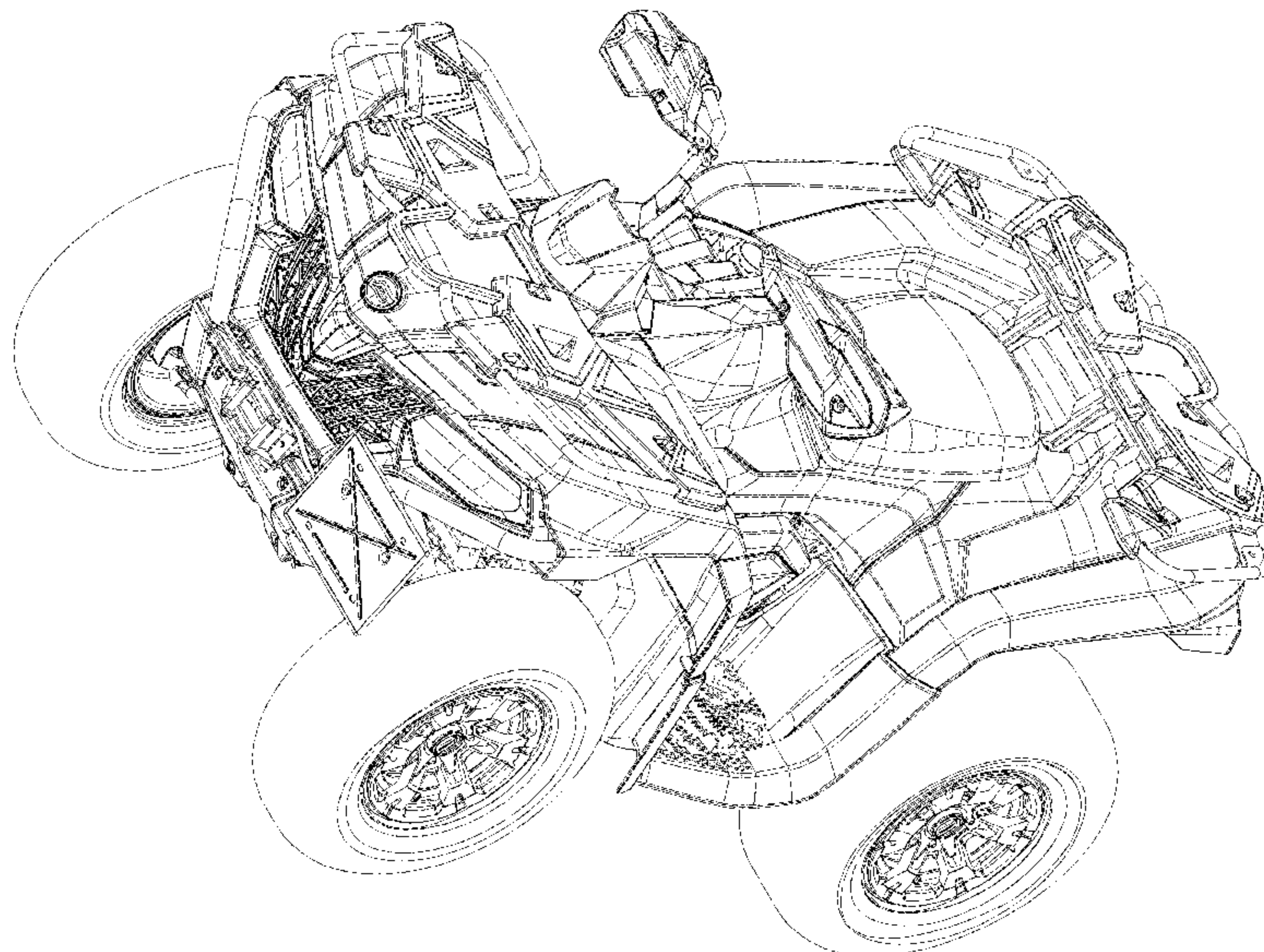
FIG. 6 is a bottom plan view thereof;

FIG. 7 is a top, front, right side perspective view thereof; and,

FIG. 8 is a top, rear, right side perspective view thereof.

The broken lines represent portions of the all-terrain vehicle that form no part of the claimed design.

**1 Claim, 8 Drawing Sheets**



(56)

References Cited

U.S. PATENT DOCUMENTS

D523,782 S \* 6/2006 Lin ..... D12/107  
 D529,414 S \* 10/2006 Wu ..... D12/107  
 D531,088 S \* 10/2006 Lin ..... D12/107  
 D532,339 S \* 11/2006 Hishiki ..... D12/107  
 D539,705 S \* 4/2007 Ichikawa ..... D12/107  
 D542,186 S \* 5/2007 Lai ..... D12/107  
 D542,188 S \* 5/2007 Miwa ..... D12/107  
 D561,064 S \* 2/2008 Crepeau ..... D12/107  
 D584,661 S \* 1/2009 Tanaka ..... D12/107  
 D585,792 S \* 2/2009 Chao ..... D12/107  
 D592,556 S \* 5/2009 Mehra ..... D12/107  
 D592,557 S \* 5/2009 Mehra ..... D12/107  
 D595,188 S \* 6/2009 Tandrup ..... D12/107  
 D596,080 S \* 7/2009 Lai ..... D12/107  
 D597,890 S \* 8/2009 Lai ..... D12/107  
 D599,250 S \* 9/2009 Hirano ..... D12/107  
 D599,251 S \* 9/2009 Yin ..... D12/107  
 D606,905 S \* 12/2009 Yao ..... D12/107  
 D609,136 S \* 2/2010 Renchuan ..... D12/107  
 D620,399 S \* 7/2010 Wu ..... D12/107  
 D628,520 S \* 12/2010 Lin ..... D12/107

D638,755 S \* 5/2011 Bracy ..... D12/107  
 D640,604 S \* 6/2011 Lai ..... D12/107  
 D640,605 S \* 6/2011 Lai ..... D12/107  
 D643,781 S \* 8/2011 Nagao ..... D12/107  
 D657,720 S \* 4/2012 Eck ..... D12/107  
 D657,721 S \* 4/2012 Miyanishi ..... D12/107  
 D668,184 S \* 10/2012 Tashiro ..... D12/107  
 D671,037 S \* 11/2012 Wu ..... D12/107  
 D674,728 S \* 1/2013 Matsumura ..... D12/107  
 D680,468 S \* 4/2013 Li ..... D12/107  
 D680,469 S \* 4/2013 Li ..... D12/107  
 D691,519 S \* 10/2013 Fisher ..... D12/107  
 D694,671 S \* 12/2013 Lai ..... D12/107  
 8,596,398 B2 \* 12/2013 Bennett ..... B60K 17/08  
 180/90.6  
 D721,300 S \* 1/2015 Li ..... D12/107  
 D735,615 S \* 8/2015 Itaya ..... D12/107  
 D751,467 S \* 3/2016 Lai ..... D12/107  
 D761,698 S \* 7/2016 Umemoto ..... D12/107  
 D774,955 S \* 12/2016 Lai ..... D12/107  
 D774,957 S \* 12/2016 Umemoto ..... D12/107  
 2014/0262584 A1 \* 9/2014 Lovold ..... B60K 13/04  
 180/246

\* cited by examiner



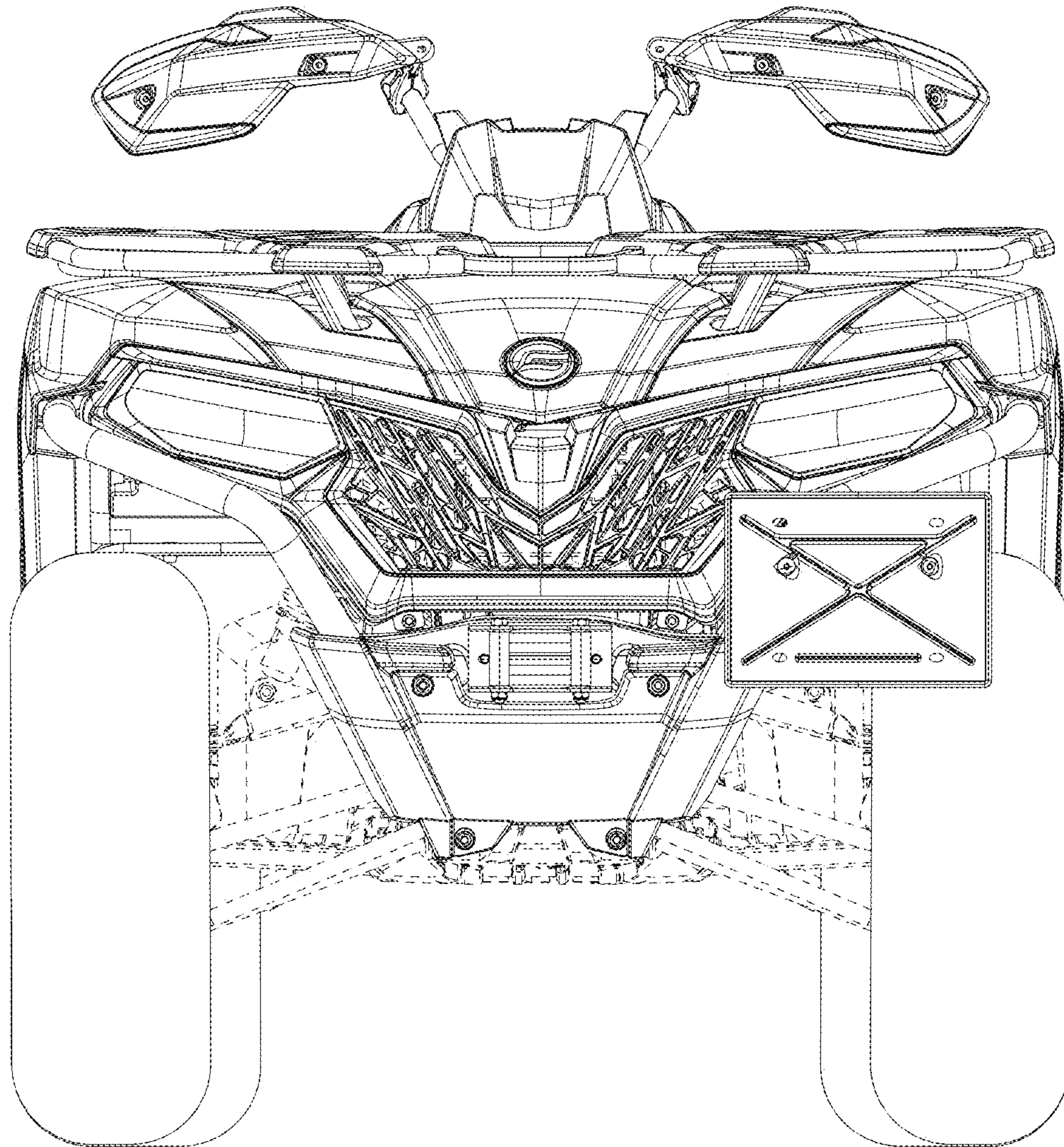


FIG. 1

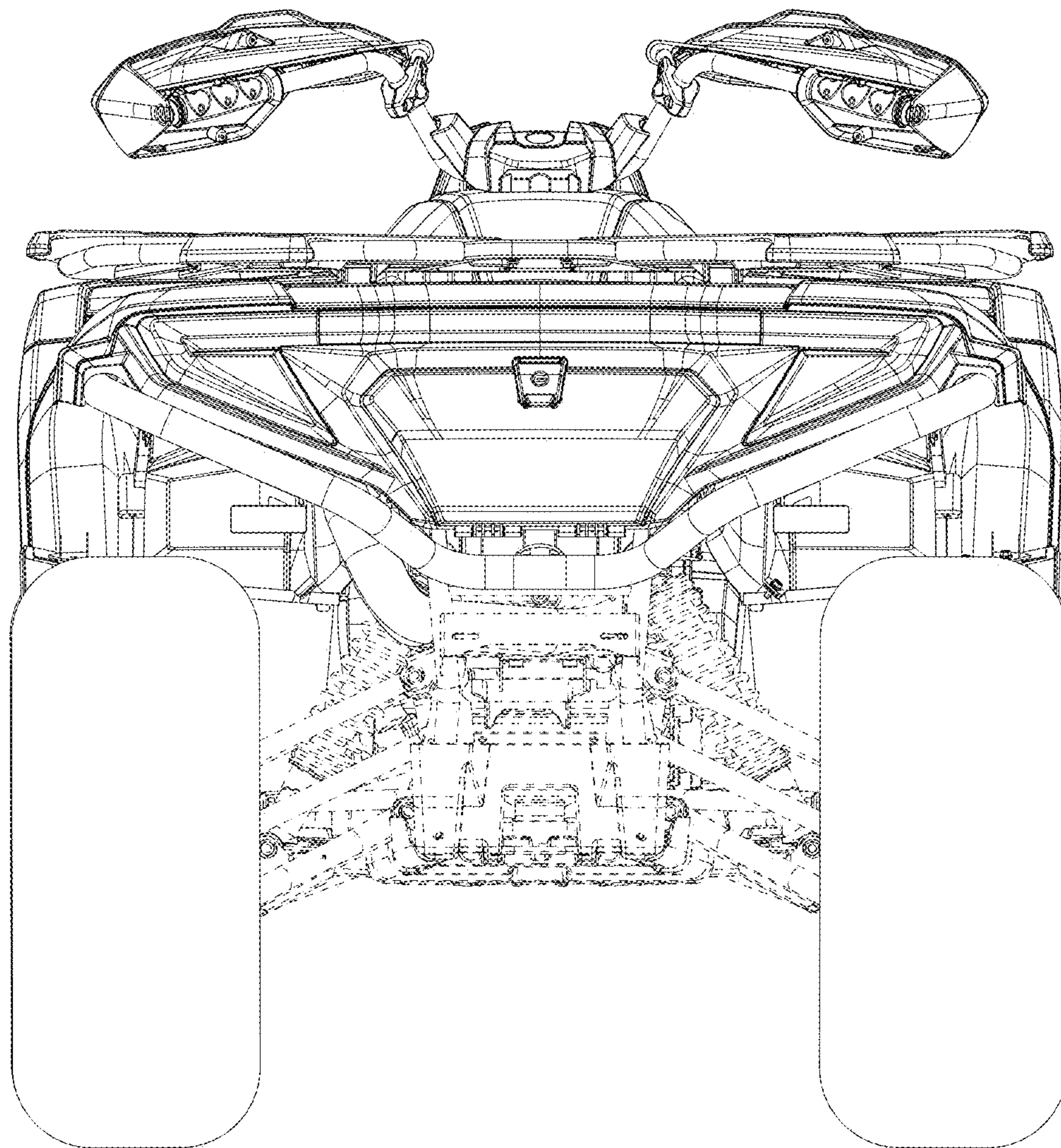


FIG. 2



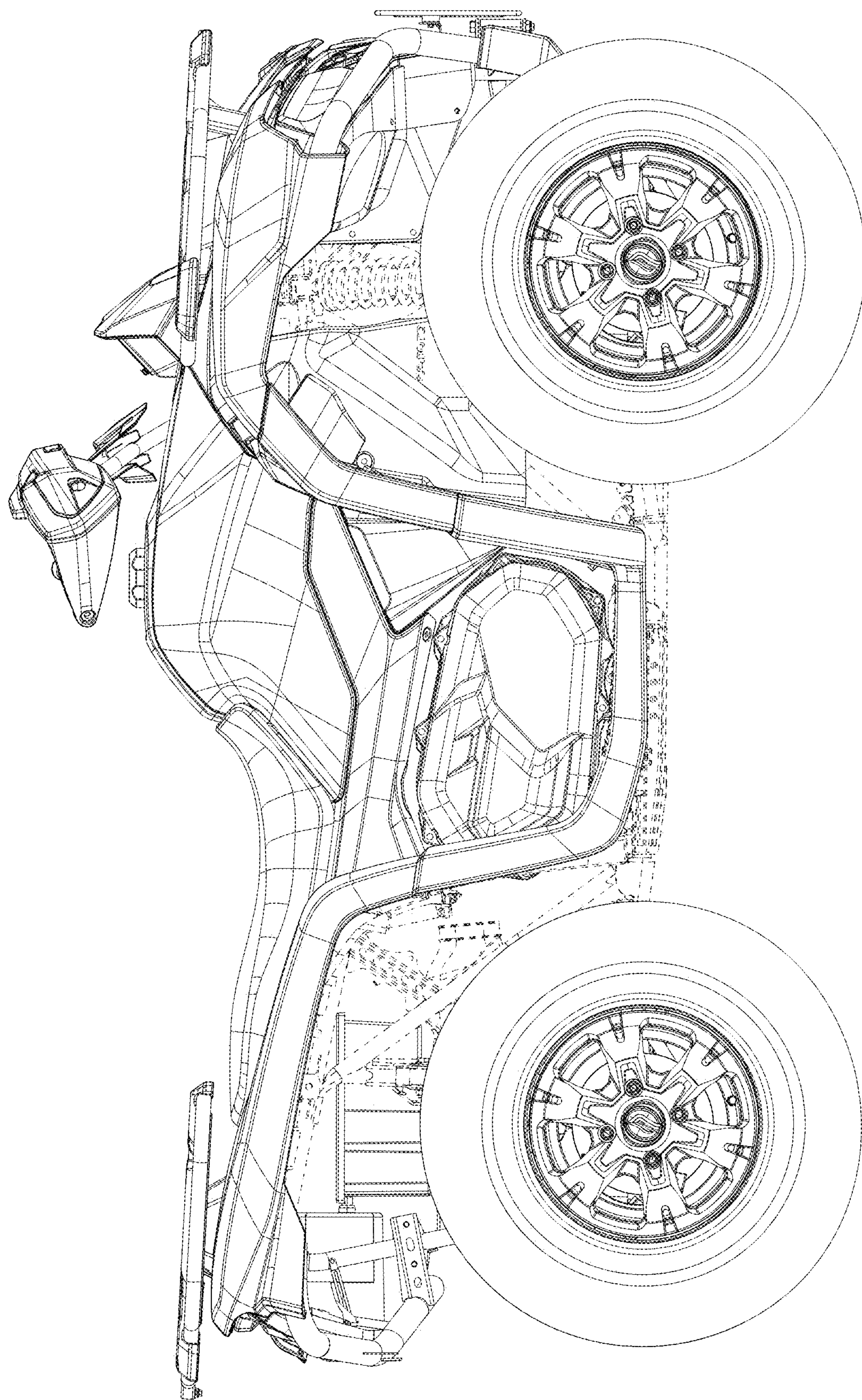


FIG. 3



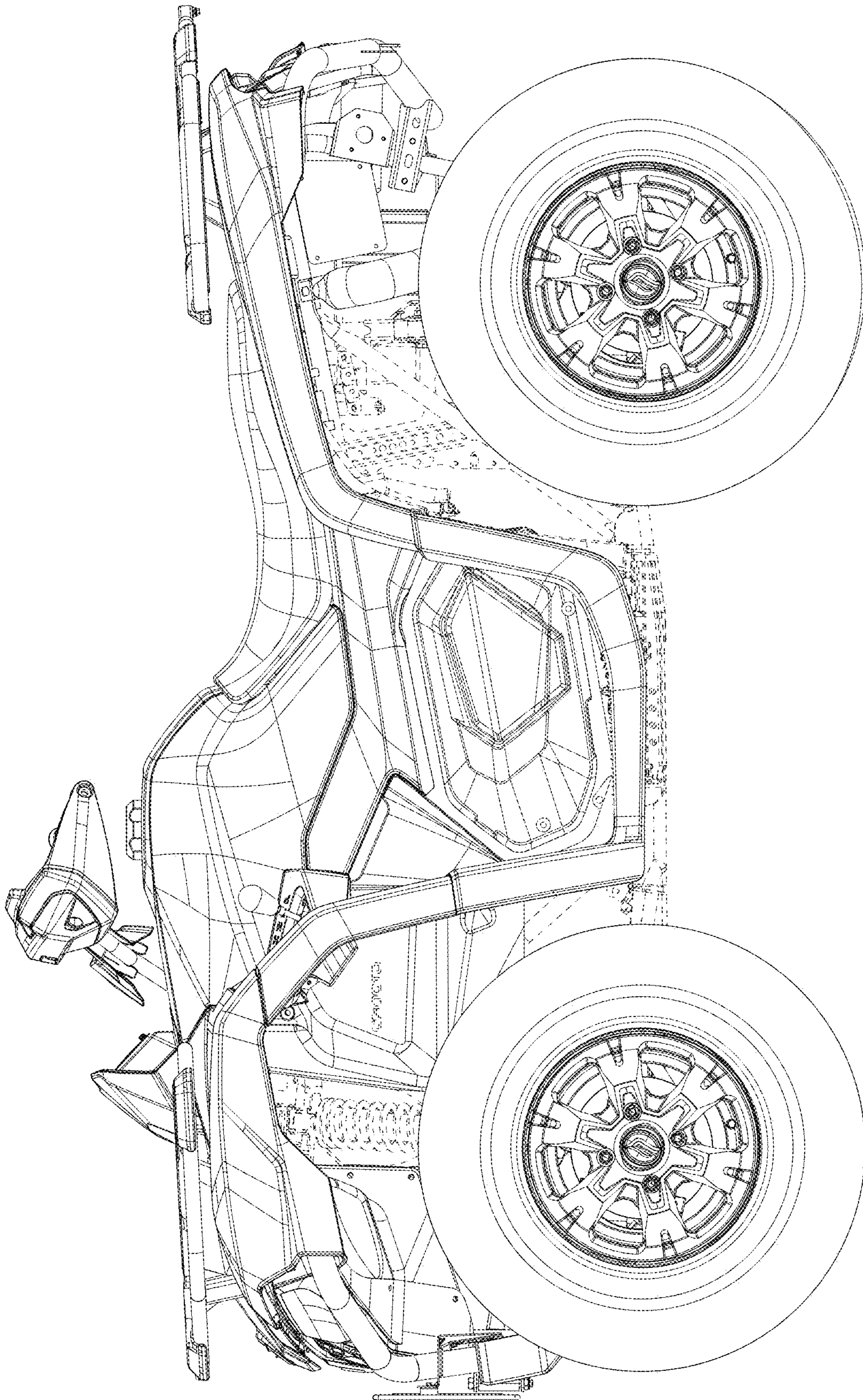


FIG. 4



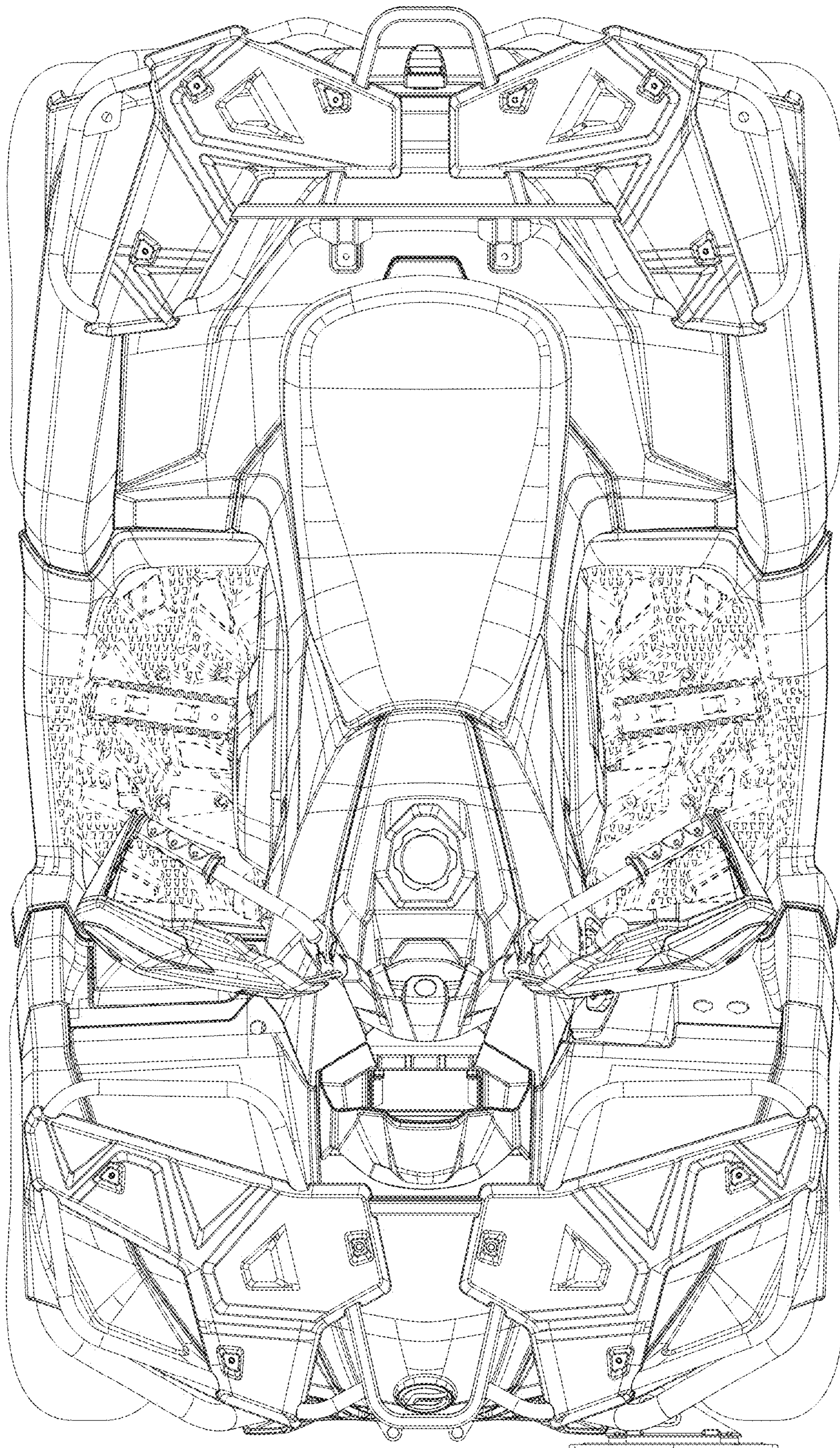


FIG. 5



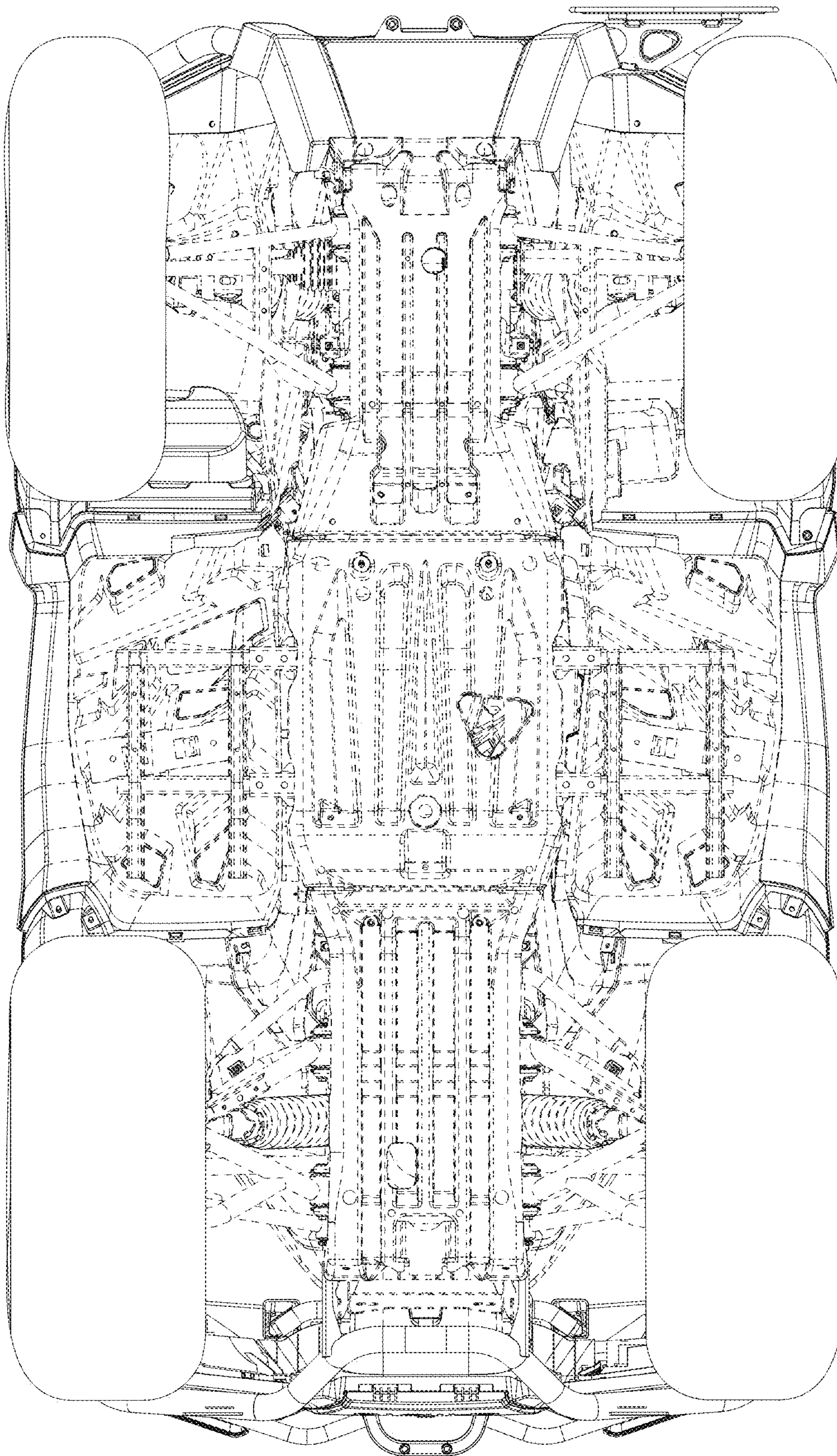


FIG. 6



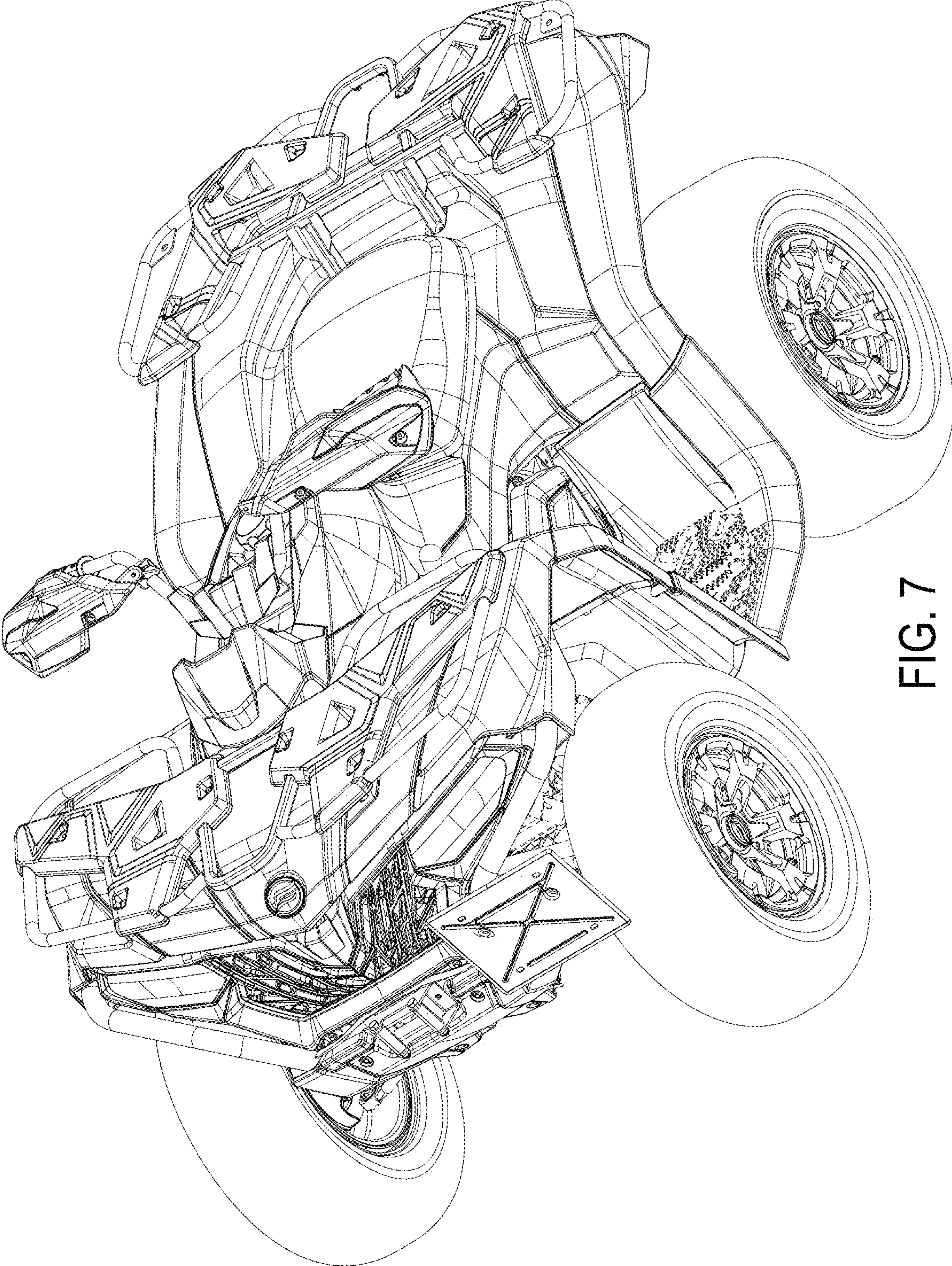


FIG. 7



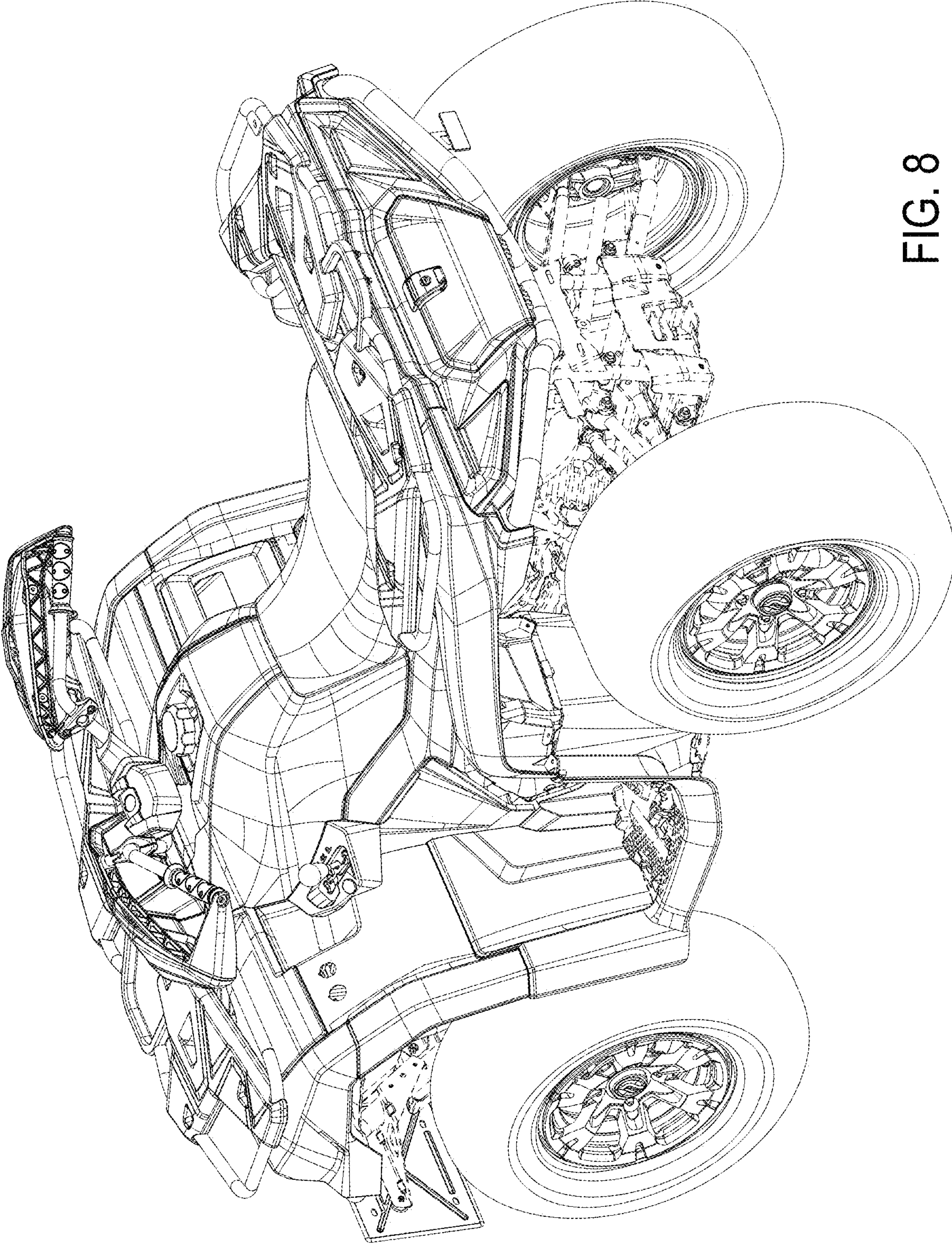


FIG. 8