



US00D896701S

(12) **United States Design Patent** (10) **Patent No.:** **US D896,701 S**
Ring et al. (45) **Date of Patent:** **** Sep. 22, 2020**

(54) **COUPLER FOLLOWER FOR SELECTIVE CUSHIONING UNIT**

(71) Applicant: **Strato, Inc.**, Piscataway, NJ (US)

(72) Inventors: **Michael Ring**, Lake Village, IN (US);
Jonathan Sunde, Somerset, NJ (US)

(73) Assignee: **STRATO, INC.**, Piscataway, NJ (US)

(**) Term: **15 Years**

(21) Appl. No.: **29/646,060**

(22) Filed: **May 1, 2018**

(51) **LOC (12) Cl.** **12-03**

(52) **U.S. Cl.**
USPC **D12/47**

(58) **Field of Classification Search**
USPC D12/36-51
CPC E01B 9/00; E01B 9/02; E01B 9/44; E01B 9/46; E01B 9/685; B60M 1/307; B61F 5/38; B61F 5/52; B61G 9/06; B61G 9/10; B61G 9/22; B61G 9/20; B61G 9/04
See application file for complete search history.

(56) **References Cited**

U.S. PATENT DOCUMENTS

1,049,209 A * 12/1912 Coffin B61F 5/52
105/204
2,791,337 A * 5/1957 Blattner B61G 9/06
213/45
2,825,472 A * 3/1958 Peterson B61G 9/10
213/22
2,859,072 A * 11/1958 Sale B61F 15/26
384/190.3

2,896,550 A * 7/1959 Wulff B61F 5/122
105/198.5
5,305,899 A * 4/1994 Kaufhold B61G 7/10
213/50
10,086,852 B2 * 10/2018 Iler B61G 9/04
D857,554 S * 8/2019 Schoedl D12/47
10,384,696 B2 * 8/2019 Schoedl B61G 9/24
2002/0070189 A1 * 6/2002 Barker B61G 9/06
213/62 R
2006/0124572 A1 * 6/2006 Sommerfeld B61G 9/10
213/75 R
2017/0166225 A1 * 6/2017 Schoedl B61G 9/04
2017/0334469 A1 * 11/2017 Johnson B61G 3/06
2019/0144015 A1 * 5/2019 Ring B61G 9/10

* cited by examiner

Primary Examiner — Ania Aman

(74) *Attorney, Agent, or Firm* — Pearl Cohen Zedek
Latzer Baratz LLP

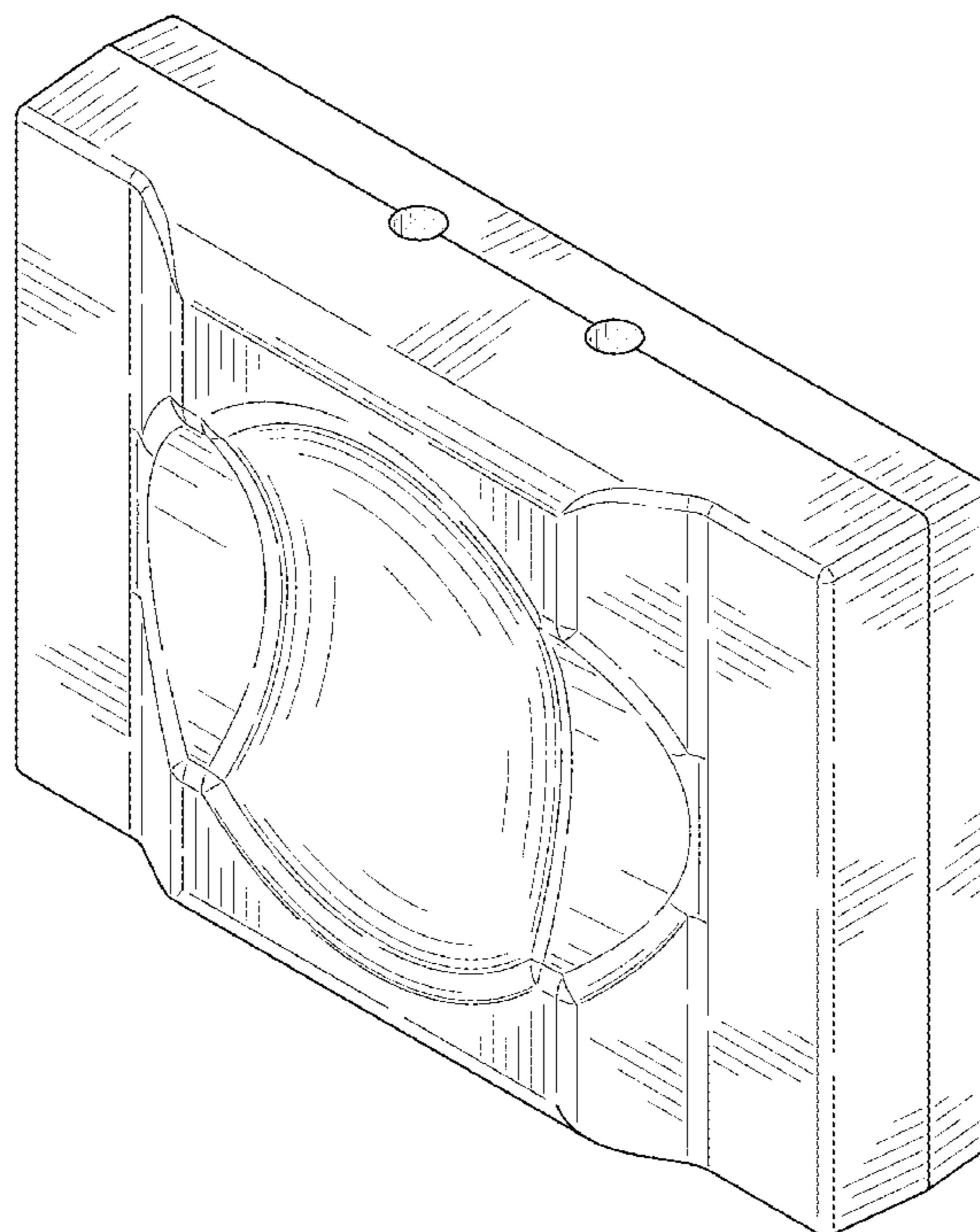
(57) **CLAIM**

The ornamental design for a coupler follower for selective cushioning unit, as shown and described.

DESCRIPTION

FIG. 1 is a perspective view thereof;
FIG. 2 is a front elevation view thereof;
FIG. 3 is a rear elevation view thereof;
FIG. 4 is a side elevation view;
FIG. 5 is a side elevation view which is a mirror of the opposite side elevation of FIG. 4;
FIG. 6 is a top view thereof; and,
FIG. 7 is a bottom view thereof.
The portion of the drawings in FIG. 3 and FIG. 7 bounded by dotted lines forms no part of the claimed design.

1 Claim, 3 Drawing Sheets



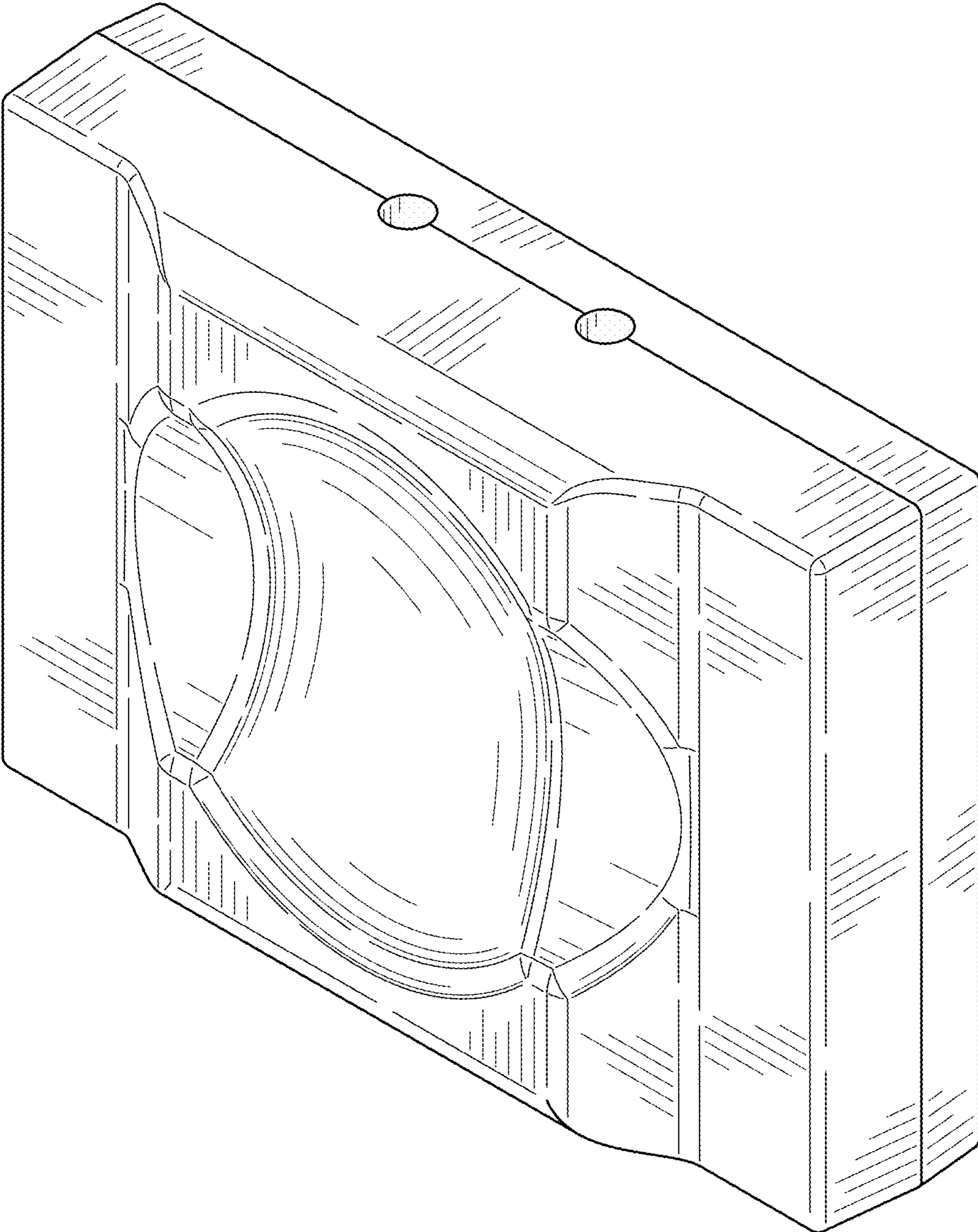


FIG. 1

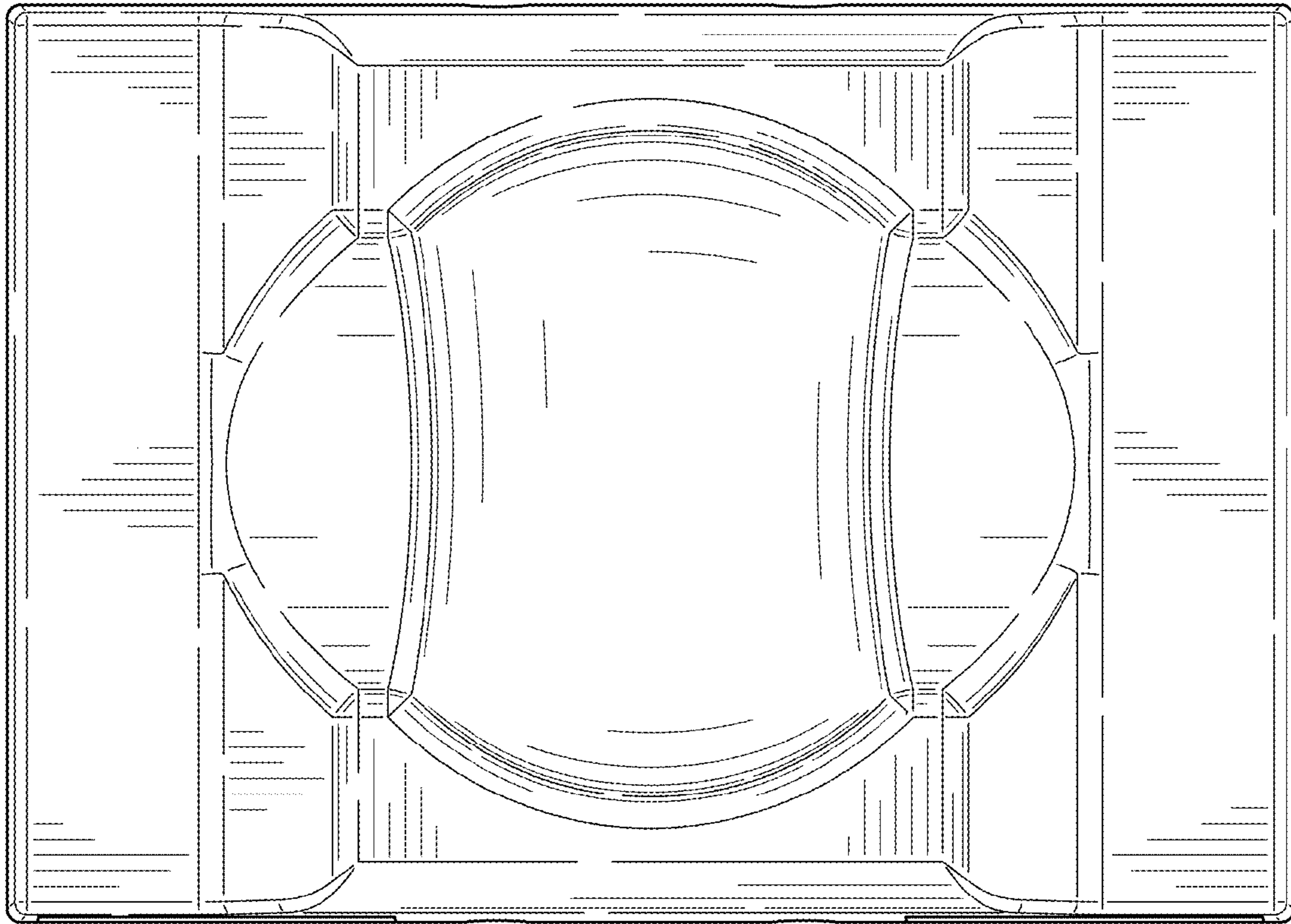


FIG. 2

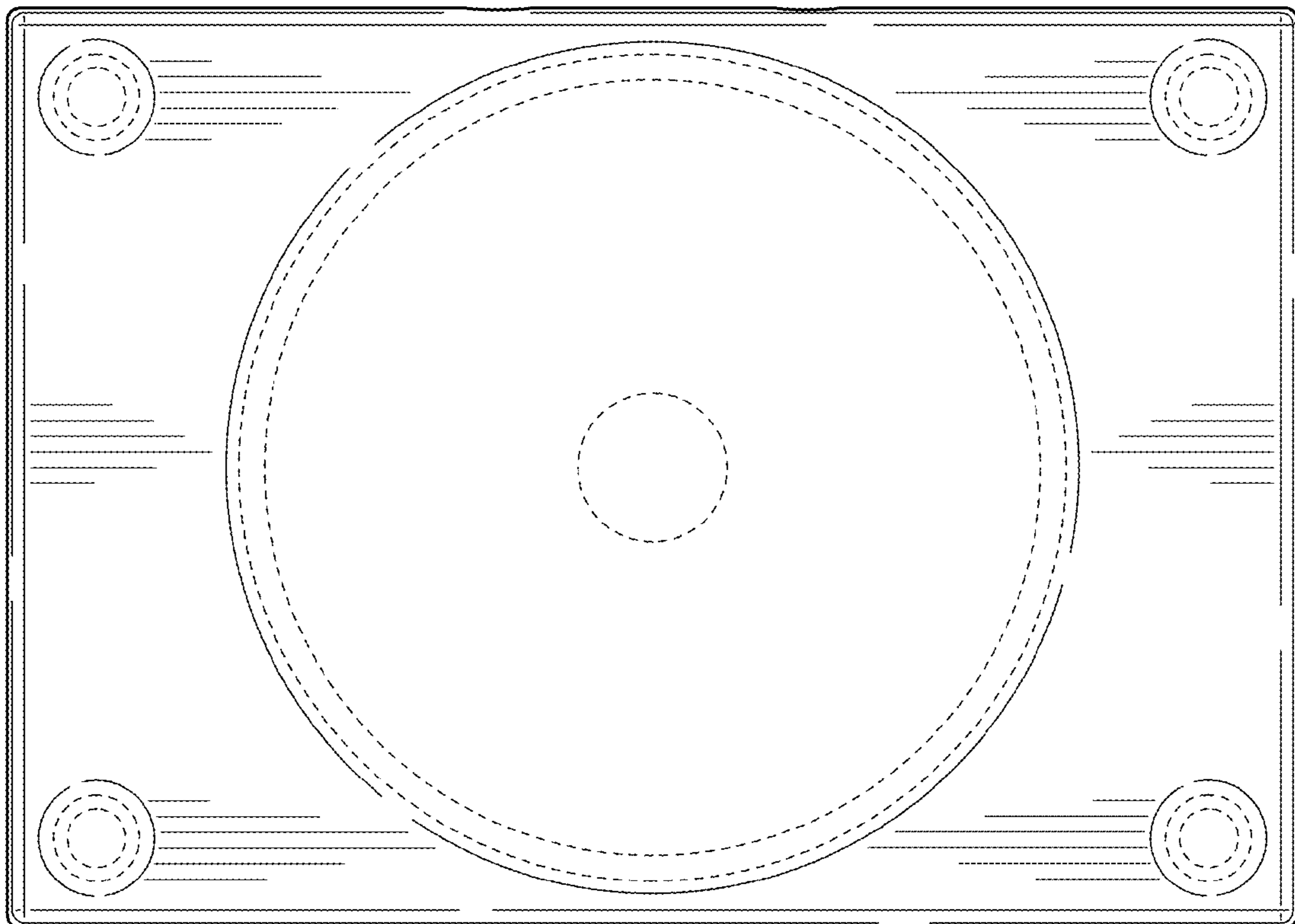


FIG. 3

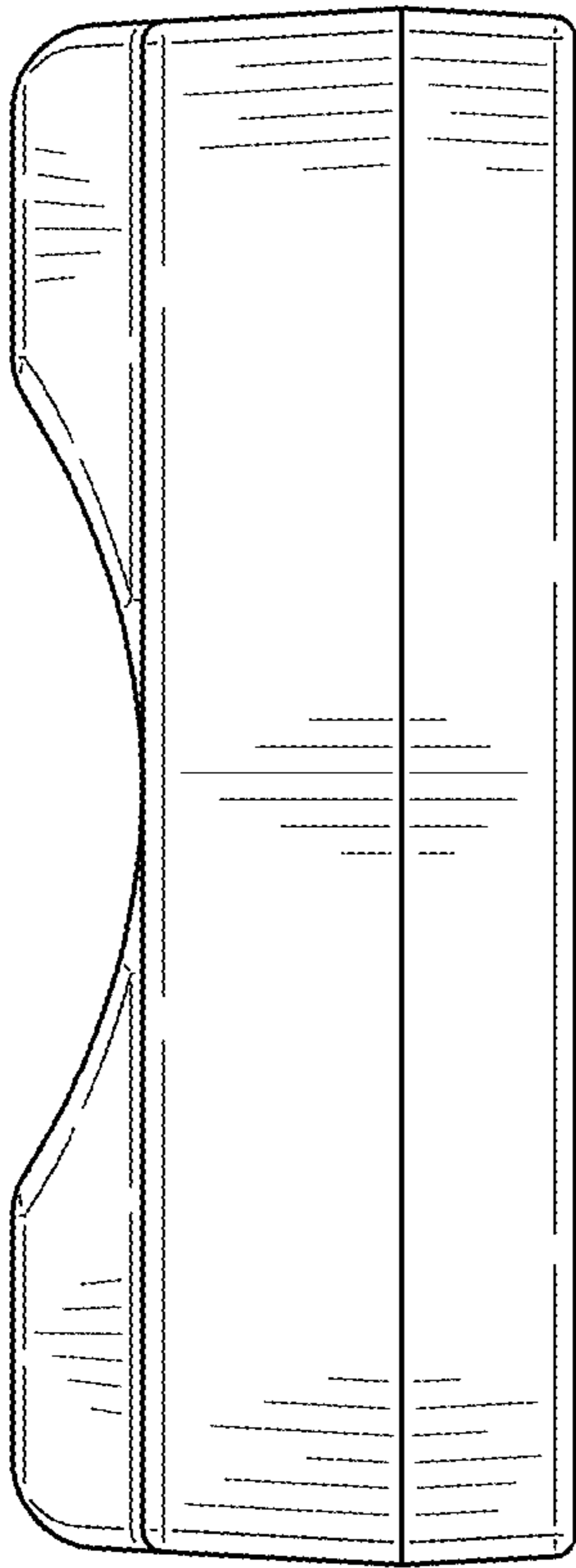


FIG. 4

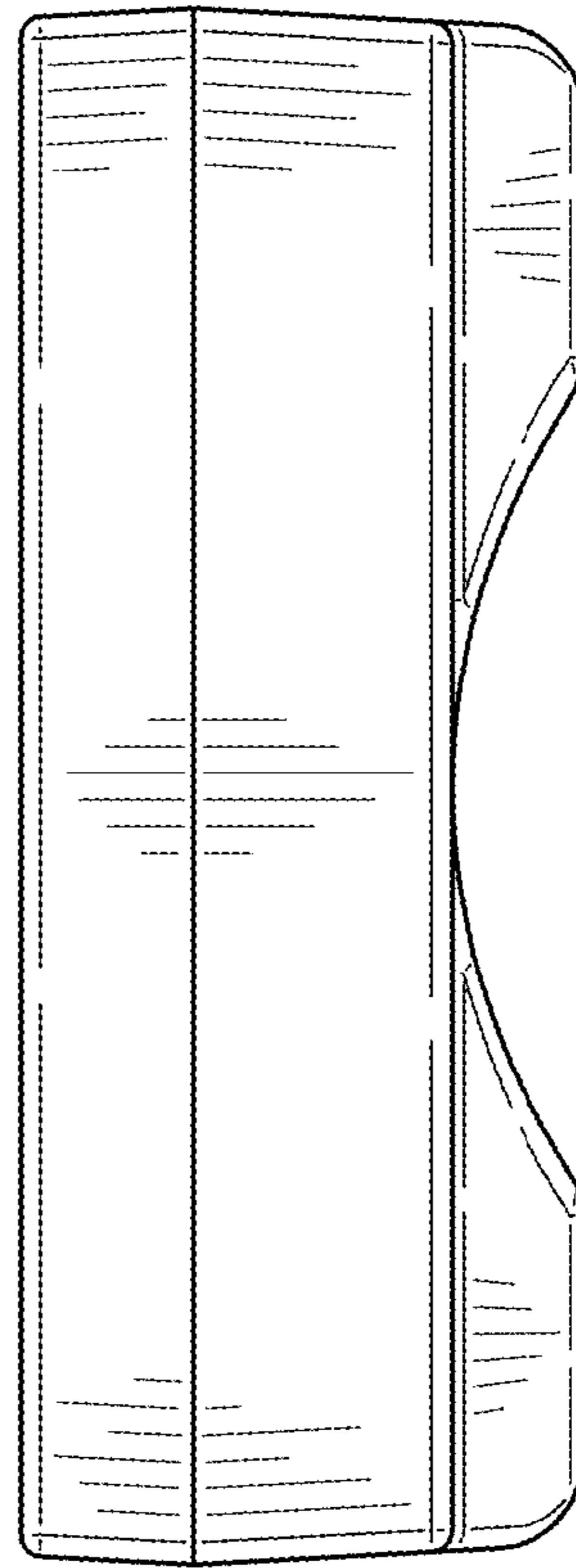


FIG. 5

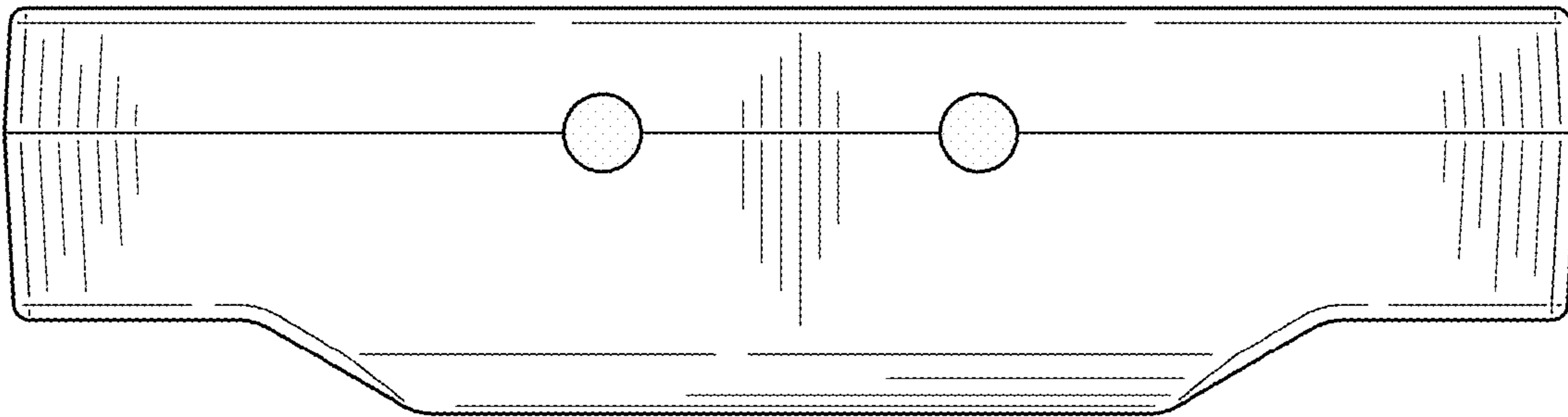


FIG. 6

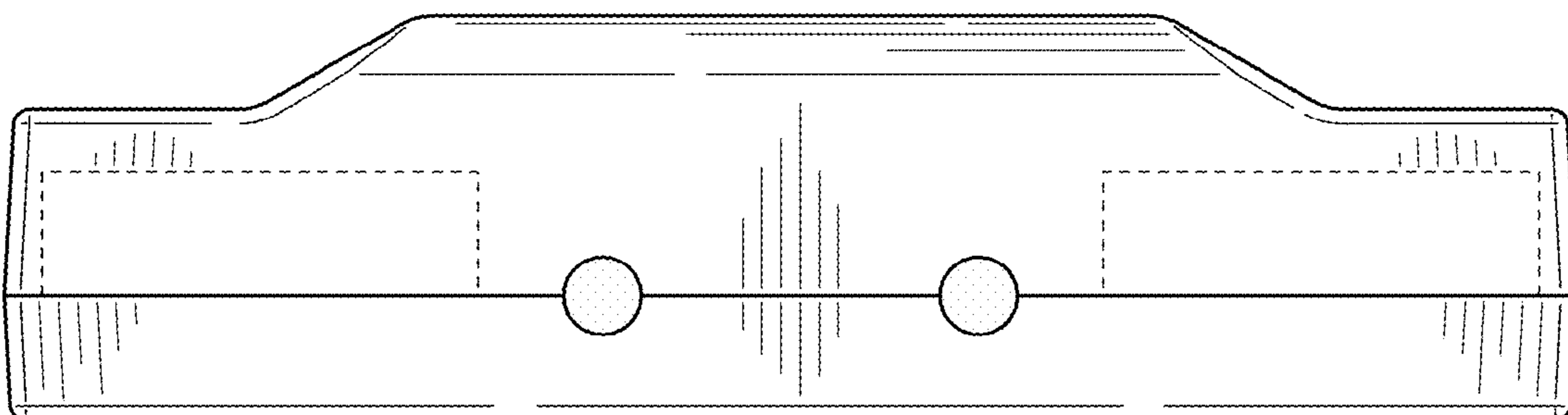


FIG. 7